
BIDDING INSTRUCTIONS & FORMS

Southgate Elementary School Office Addition
500 N. Norman
Moore, OK 73160

OMNI CONSTRUCTION
1909 S Eastern Ave Moore, OK 73160

TABLE OF CONTENTS

Southgate Elementary Office Addition

| | | |
|--------------|--|---------|
| Division 0 | Bidding Instructions and Forms | Page 2 |
| Document 100 | Solicitation for Bids (State of Oklahoma Form) | Page 3 |
| Document 200 | Instructions to Bidders | Page 5 |
| | 1) Solicitation | Page 6 |
| | 2) Bid Documents and Contracts Documents | Page 7 |
| | 3) Site Assessment | Page 8 |
| | 4) Qualifications | Page 9 |
| | 5) Bid Submissions | Page 9 |
| | 6) Bid Enclosure/Requirements | Page 10 |
| | 7) Offer Acceptance/Rejection | Page 11 |
| Document 300 | Bid Forms | Page 12 |
| | 1) General Bid Form | Page 12 |
| | 2) Non-Collusion Affidavit | Page 14 |
| | 3) Non-Kickback Affidavit | Page 15 |
| | 4) Non-Asbestos Affidavit | Page 16 |
| | 5) Non-Sex Offender Affidavit | Page 17 |
| | 6) Business Relationship Affidavit | Page 18 |
| Document 400 | General Bid Package Items | Page 19 |
| | 1) General | Page 19 |
| | 2) Project Schedule | Page 20 |
| | 3) Safety | Page 21 |
| Document 500 | Bid Package 1 thru 15 | Page 22 |
| | 1) Sitework | Page 22 |
| | 2) Concrete | Page 23 |
| | 3) Masonry | Page 25 |
| | 4) Metals | Page 26 |
| | 5) Wood & Plastic | Page 27 |
| | 6) Thermal & Moisture Protection | Page 28 |
| | 7) Doors & Hardware | Page 29 |
| | 8) Finishes (Ceiling Systems) | Page 30 |
| | 9) Specialties (Accessories) | Page 31 |
| | 10) Flooring | Page 32 |
| | 11) Painting | Page 33 |
| | 12) Fire Suppression | Page 34 |
| | 13) Mechanical | Page 35 |
| | 14) Plumbing | Page 36 |
| | 15) Electrical/Cabling/IT | Page 38 |

Southgate Elementary School Office Addition
500 N. Norman
Moore, OK 73160

Division 0

Bidding Instructions

&

Forms

ARCHITECT OF RECORD:

AGP– the AblaGriffin Partnership, LLC
201 N. Broadway, Suite 210
Moore, OK 73160 405-735-
3477

CONSTRUCTION MANAGER:

OMNI Construction, LLC
1909 S. Eastern Ave.
Moore, OK 73160 405- 735-
3992

DOCUMENT 100

SOLICITATION FOR BIDS
(BID NOTICE)

Sealed proposals will be received by the Board of Education, Independent School District No. I-002, Moore, Cleveland County, Oklahoma, at the Moore Public Schools Administration Service Center, 1500 SE 4th Street, Moore, Oklahoma, until 2:00 P.M., Central Standard Time, on 2nd day of November 2023, at which time said bids will be opened for furnishing all labor and materials for the construction of the Southgate Elementary Office Addition including the following Bid Packages:

- Bid Package 1 – Demo/Sitework (Not Used)
- Bid Package 2 – Concrete
- Bid Package 3 – Masonry (Not Used)
- Bid Package 4 – Metal (Materials Only)
- Bid Package 5 – Wood & Plastic (Not Used)
- Bid Package 6 – Thermal & Moisture Protection (Not Used)
- Bid Package 7 – Doors & Hardware (Not Used)
- Bid Package 8 – Finishes (Ceiling Systems) (Not Used)
- Bid Package 9 – Specialties (Accessories) (Not Used)
- Bid Package 10 – Flooring (Not Used)
- Bid Package 11 – Painting (Not Used)
- Bid Package 12 – Fire Suppression (Not Used)
- Bid Package 13 – Mechanical (Not Used)
- Bid Package 14 – Plumbing (Not Used)
- Bid Package 15 – Electrical/Cabling/IT

Bids received more than ninety-six (96) hours, excluding Saturdays, Sundays, and holidays, before the time set for opening bids, as well as bids received after the time set for opening bids, will not be considered, and will be returned unopened.

Bids will be publicly opened and read aloud at the above-mentioned office immediately following the closing time stated above.

Complete sets of General Conditions, Plans, and Specifications, and other bidding documents may be obtained through OMNI Construction, LLC, and the RPG Plan Room.

OMNI Construction
1909 S. Eastern Ave.
Moore, OK 73160
405-799-3992
www.omnioklahoma.com

RPG Plan Room
www.rpgplanroom.com

A cashier's check, a certified check, or a surety bond in the amount of five percent (5%) of the bid shall accompany the sealed proposal of each bidder if the proposal is \$50,000.00 or larger. Bid Guarantees will be returned to the unsuccessful bidders.

The Board of Education reserves the right to accept or reject any and all bids.

The time period within which a contract will be executed following award to the successful bidder will not exceed thirty (30) days.

DOCUMENT 200

INSTRUCTIONSTOBIDDERS

To be considered, bids must be made in accordance with these instructions to bidders.

- Section 1 Solicitation**
- 1) Bid Submission
 - 2) Intent
 - 3) Work Identified in the Contract Documents
 - 4) Contract Time
- Section 2 Bid Documents and Contract Documents**
- 1) Definitions
 - 2) Contract Documents Identification
 - 3) Availability
 - 4) Examination
 - 5) Queries/Addenda
 - 6) Product Substitution
- Section 3 Site Assessment**
- 1) Site Examination
- Section 4 Qualifications**
- 1) Evidence of Qualifications
 - 2) Subcontractors/Suppliers/Others
- Section 5 Bid Submission**
- 1) Submission Procedure
 - 2) Bid Ineligibility
- Section 6 Bid Enclosure/Requirements**
- 1) Security Deposit
 - 2) Performance Assurance
 - 3) Bid Form Requirements
 - 4) Bid Form Signature
- Section 7 Offer Acceptance/Rejection**
- 1) Duration of Offer
 - 2) Acceptance of Offer

Section 1-
SOLICITATION

1.1) BID SUBMISSION

- A. Sealed proposals will be received by the Board of Education, Independent School District No. I-002, Moore, Cleveland County, Oklahoma, at the Moore Public Schools Administration Service Center, 1500 SE 4th Street, Moore, Oklahoma, until 2:00 P.M., Central Standard Time, on Thursday, the 2nd day of November 2023, at which time said bids will be opened for furnishing all labor and materials for the complete construction of the Southgate Elementary Office Addition.

Bid Packages: Bid Package 1 – Demo/Sitework (Not Used)

Bid Package 2 – Concrete

Bid Package 3 – Masonry (Not Used)

Bid Package 4 – Metal (Materials Only)

Bid Package 5 – Wood & Plastic (Not Used)

Bid Package 6 – Thermal & Moisture Protection (Not Used)

Bid Package 7 – Doors & Hardware (Not Used)

Bid Package 8 – Finishes (Ceiling Systems) (Not Used)

Bid Package 9 – Specialties (Accessories) (Not Used)

Bid Package 10 – Flooring (Not Used)

Bid Package 11 – Painting (Not Used)

Bid Package 12 – Fire Suppression (Not Used)

Bid Package 13 – Mechanical (Not Used)

Bid Package 14 – Plumbing (Not Used)

Bid Package 15 – Electrical/Cabling/IT

- B. Bids received more than ninety-six (96) hours, excluding Saturdays, Sundays, and holidays, before the time set for opening bids, as well as bids received after the above time set for opening bids, will not be considered, and will be returned unopened.
- C. All forms identified in Section 300 shall be properly filled out and notarized.
- D. Bids will be publicly opened and read aloud at the above-mentioned office immediately following the closing time stated above.
- E. Amendments to submitted Bids will be permitted when received in writing prior to bid deadline and when endorsed by the same party or parties who signed and sealed the Bid.
- F. Bidders may withdraw their Bid by written request at any time before bid deadline.

1.2) INTENT

- A. The intent of this bid request is to obtain an offer to perform work to complete the construction of the Southgate Elementary Office Addition, 500 N. Norman, Moore, OK 73160, for a Stipulated Price contract, in accordance with the Contract Documents.
- B. The Owner has contracted with OMNI Construction to act as Construction Manager for the total Project. Selected parts of the work of the Project may be completed by the Construction Manager and other parts may be contracted by acceptance of public bids.

1.3) WORK IDENTIFIED IN THE CONTRACT DOCUMENTS

- A. Work of this proposed Contract comprises of bid package 1 thru 16 as noted in the Bid Manual
- B. The Scope of the work consists of furnishing all labor and materials for the complete construction, in accordance with the Contract Documents,
- C. The Base Proposal shall include all work as described in the Drawings, Project Manual and bid day instructions and forms. Each trade shall be responsible to review all sheets identified in the plan set and work that may pertain to their respected bid package.

1.4) CONTRACT TIME

- A. Construction Start Date = November 15, 2023
- B. Construction Completion Date = August 11, 2024

Section 2

BID DOCUMENTS AND CONTRACT DOCUMENTS

2.1) DEFINITIONS

- A. Bid Documents: Project Plans, Project Manual, Bidding Instructions and Forms.
- B. Bid: Executed Bid Form and required attachments submitted in accordance with these Instructions to Bidders.
- C. Bid Price: Monetary lumpsum identified by the Bidder in the Bid Form.

2.2) CONTRACT DOCUMENTS IDENTIFICATION

- A. The Contract Documents (Drawings and Project Manual) are identified as prepared by the Architect, AGP – the Abla Griffin Partnership, LLC, and identified in their respective Table of Contents.

2.3) AVAILABILITY

- A. Refer to section 2.4- for availability of drawings.

2.4) EXAMINATION

- A. Bid Documents are on display at the offices of the following construction association plan room facilities:
 - [1] OMNI Construction,
LLC 1909 S. Eastern
Ave. Moore, OK 73160
405- 735-3992
www.omnioklahoma.com
 - [2] RPG Plan Room
www.rpgplanroom.com
- B. Upon receipt of Bid Documents verify that documents are complete. Notify the Architect or Construction Manager, OMNI Construction, LLC, should the documents be incomplete.

- C. Immediately notify the Architect or Construction Manager upon finding discrepancies or omissions in the Bid Documents.

2.5) QUERIES/ADDENDA

- A. Direct questions to AGP – the Abla Griffin Partnership L.L.C., 201 N Broadway, Suite 210, Moore, Oklahoma 73160, 405-735-3477 or AGP@theAGP.net. OMNI Construction, LLC, PO Box 892245 Oklahoma City, OK 73189, 405-735-3992 or omniconstructionllc@coxinet.net.
- B. Verbal answers are not binding on any party.
- C. Submit questions not less than 3 days before date set for receipt of Bids. Replies will be made by Addenda.
- D. Addenda may be issued during the Bidding period. Addenda become part of the Contract Documents. Include resultant costs in the Bid Price.
- E. List any addenda received on the Bid Form. Failure to receive any addenda shall not release the bidder from any obligations under his bid.

2.6) PRODUCT SUBSTITUTION

- A. Where the Bid Documents stipulate a particular Product, substitutions will be considered by the Architect up to seven (7) days before receipt of Bids.
- B. With each substitution request, provide sufficient information for Architect to determine acceptability of proposed products.
- C. When a request to substitute a Product is made, Architect may approve the substitution. Approved substitutions will be identified by Addenda.
- D. In submission of substitutions to products specified, Bidders shall include in their Bid, any changes required in the Work to accommodate such substitutions. Later claims by the Bidder for an addition to the Contract Time or Contract Sum/Price because of changes in Work necessitated by use of substitutions shall not be considered.

Section 3

SITE ASSESSMENT

3.1) SITE EXAMINATION

- A. Examine the project site before submitting a Bid.
- B. Each bidder shall carefully examine the project site, compared it to the Drawings and Project Manual, including all Addenda, and satisfied themselves as to the existing conditions under which their trade will be required to work, or that will affect the work under this contract.
- C. No allowances will be made on behalf of the Contractor for any error or negligence in determining these existing conditions. By submission of a bid on this project, the bidders agree to accept the existing project site in its present condition.
- D. Any and all site visits shall be scheduled through the Project Manager of record, OMNI Construction, LLC 405-735-3992.

Section 4

QUALIFICATIONS

4.1) EVIDENCE OF QUALIFICATIONS

- A. To demonstrate qualifications for performing the Work of this Contract, Bidders may be required to submit in writing evidence of financial position, previous experience, and current commitments. The financial statement shall reflect the true financial condition of the bidder within three months prior to the date of the bid opening. To be eligible for the Contract a bidder, must be able to show his financial ability to carry on work until such time as he receives the first payment on the Contract agreement, and to finance the work between payments until the project is complete and accepted by the Owner.

4.2) SUBCONTRACTORS/SUPPLIERS/OTHERS

- A. The Owner reserves the right to reject a proposed Subcontractor for reasonable cause.
- B. Refer to OMNI Construction's Master Service Agreement when OMNI is Construction Manager.

Section 5

BID SUBMISSION

5.1) SUBMISSION PROCEDURE

- A. Bidders shall be solely responsible for the delivery of their Bids in the manner and time prescribed.
- B. **Submit one copy of the executed offer on the Bid Forms provided, signed, and sealed with the required security in a closed opaque envelope, clearly identified with Bidder's name, project name, Owner's name, Bid Manual 1, Bid Package Number and Description, and Bid Date on the outside of the envelope.**
- C. Contents of the Proposal Packet:
 - 1. Complete Bid Forms(Document 300).
 - 2. Non-collusion Affidavit signed and notarized.
 - 3. Non-Kickback Affidavit signed and notarized.
 - 4. Affidavit of Asbestos Free Materials and Construction signed and notarized.
 - 5. Non-Sex Offender Affidavit signed and notarized.
 - 6. Business Relationship Affidavit signed and notarized.
 - 7. A cashier's check, a certified check, or surety bond.
- D. An abstract summary of submitted Bids will be made available to all Bidders following Bid opening.

5.2) BID INELIGIBILITY

- A. Bids that are unsigned, improperly signed or sealed, conditional, illegible, obscure, contain arithmetical errors, erasures, alterations, or irregularities of any kind, may be declared unacceptable at Owner's discretion.
- B. Bid Forms, Appendices, and enclosures which are improperly prepared, may at the discretion of the Owner, be declared unacceptable.
- C. Failure to provide security deposit, bonding or insurance requirements will be at the discretion of the Owner, invalidate the Bid.

Section 6

BID ENCLOSURES/REQUIREMENTS

6.1) SECURITY DEPOSIT

- A. Bids shall be accompanied by a security deposit if more than \$50,000.00 for a sum not less than five percent (5%) of the Bid Price/Sum submitted, as a guarantee that the successful bidder will properly execute a Contract and file performance assurance bonds within seven (7) days of the date of notification of award, as follows:
 - 1. Bid Bond or
 - 2. Certified or cashier's check.
- B. Should the successful bidder fail to enter into a Contract Agreement or to comply with the specified requirements, the bidder's check or bond will become the property of the Owner as liquidated damages, but not as penalty.
- C. Endorse the Bid Bond in the name of the Owner as obliged, signed, and sealed by the Contractor as principal and the Surety. Surety Bonds shall be issued by a surety licensed to conduct business in the State of Oklahoma and shall be accompanied by the bond agent's power-of-attorney.
- D. Endorse the certified or cashier's check in the name of the Owner.
- E. The security deposit will be returned after delivery to the Owner of the required Performance and Statutory Payment Bonds by the accepted Bidder.
- F. The security deposit will be returned after delivery to the Owner of the required Performance and Labor and Material Payment Bond(s) by the accepted Bidder.
- G. Include the cost of Bid Security in the Bid Price.
- H. After a bid has been accepted, all securities will be returned to the respective Bidders and other requested enclosures.
- I. If no contract is awarded, all security deposits will be returned.

6.2) PERFORMANCE ASSURANCE

- A. Accepted Bidder: Provide Performance and Statutory Bonds in one hundred percent (100%) of the contract amount covering faithful performance of the contract, and payment of all obligations arising there-under, will be required by the Owner.
- B. Provide a Defect Bond in the amount of one hundred percent (100%) of the contract amount covering defective workmanship and materials for a period of one year after the acceptance of the project.
- C. Include the cost of performance assurance bonds in the Bid Price.
- D. Oklahoma law allows substitution of an Irrevocable Letter of Credit is included herewith. One such letter shall be required for each of the bonds noted above.
- E. Construction Manager reserves the right to enforce or waive the surety bond requirements.

6.3) BID FORM REQUIREMENTS

- A. Complete all requested information in Section 300 of the Bidding Instructions and Forms.

6.4) BID FORM SIGNATURE

- A. The Bid Form shall be signed by the Bidder, as follows:
 - 1. Sole Proprietorship: Signature of sole proprietor in the presence of a witness who will also sign. Insert the words "Sole Proprietor" under the signature.
 - 2. Partnership: Signature of all partners in the presence of a witness who will also sign. Insert the word "Partner" under each signature.

3. Corporation: Signature of a duly authorized signing officer(s) in their normal signatures. Insert the officer's capacity in which the signing officer acts, under each signature. Affix the corporate seal. If the Bid is signed by officials other than the President and Secretary of the company, or the President/Secretary/Treasurer of the company, a copy of the by-law resolution of the Board of Directors authorizing them to do so, must also be submitted with the Bid Form in the Bid Envelope.
4. Joint Venture: Each party of the joint venture shall execute the Bid Form under their respective seals in a manner appropriate to such party as described above, similar to the requirements of a Partnership.

Section 7

OFFER ACCEPTANCE/REJECTION

7.1) DURATION OF OFFER

- A. Bids shall remain open to acceptance and shall be irrevocable for a period of thirty (30) days after the Bid closing date.

7.2) ACCEPTANCE OF OFFER

- A. The Owner reserves the right to accept or reject any or all bids, or to accept any bid he considers advantageous and to waive formalities and irregularities.
- B. The Owner reserves the right to disqualify bids, before and after opening, upon evidence of collusion with intent to defraud or other illegal practices upon the part of the bidder.
- C. The Contract will be awarded based on the lowest responsible bid.
- D. In case of a difference in written words and figures on the Bid Form, the amount stated in written words shall govern.
- E. After acceptance by the Owner, the Architect, on behalf of the Owner, will issue to the successful Bidder, a written Notice to Proceed.
- F. The time Period within which a contract will be executed following award to the successful bidder will not exceed thirty (30) days.
- G. In the event of a tie bid the coin toss method will be administered by the Construction Manager to determine the successful bidder.

DOCUMENT 300

BID FORMS

PROJECT NAME: Southgate Elementary Office Addition

DATE OF BID OPENING: _____

COMPANY NAME: _____

COMPANY ADDRESS: _____

CONTACT NAME: _____

TELEPHONE NUMBER: _____

FAX NUMBER: _____

EMAIL ADDRESS: _____

| PACKAGE NO./ DESCRIPTION | COMPLETE DESCRIPTION AS TO SCOPE OF WORK | AMOUNT |
|-----------------------------|--|--------|
| | | |

****Any proposal containing clarifications or exclusions shall not be considered.**

Base Bid: _____ (Written Words)

\$ _____ (Numeric Form)

IT IS UNDERSTOOD THE BASE BID DOES NOT INCLUDE THE COST OF THE PERFORMANCE BOND COVERING 100% OF THE CONTRACT AMOUNT. PRIOR TO AWARD, THE OWNER AND CONTRACTOR RESERVE THE RIGHT TO ADD A PERFORMANCE BOND FROM THE TRADE CONTRACT AGREEMENT. PLEASE INDICATE THE FOLLOWING INFORMATION WITH REGARDS TO YOUR PERFORMANCE BOND:

PERFORMANCE BOND RATE (%): _____

COST OF PERFORMANCE BOND (\$): _____ (Dollars)

Alternates:

Description of Alternate: _____

Add or Deduct: _____

****Please note that any and all items of the given package which are not specifically excluded in the bid document will be considered to be a part of the bid package.**

SIGNATURE OF BIDDING PARTY

DATE

By initialing the line next to each item below you are acknowledging that you have included the following items:

_____ A cashier's check, a certified check, or a surety bond if bid is \$50,000 or greater.

_____ Non-Collusion Affidavit (Signed and Notarized)

_____ Non-Kickback Affidavit (Signed and Notarized)

_____ Affidavit of Asbestos Free Materials and Construction (Signed and Notarized)

_____ Non-Sex Offender Affidavit (Signed and Notarized)

_____ Business Relations Affidavit (Signed and Notarized)

_____ Acknowledge receipt of Addenda Numbers issued for bidding.

SUBMITTED BY:

COMPANY NAME: _____

FULL PRINTED NAME: _____

SIGNATURE: _____

DATE: _____

NON-COLLUSION AFFIDAVIT

STATE OF _____)

)ss.

COUNTY OF _____)

_____, of lawful age, being first duly sworn on oath says that (s)he is the agent authorized by the bidder to submit the attached bid. Affiant further states that the bidder has not been a party to any collusion among bidders in restraint of freedom of competition by agreement to bid at a fixed price or to refrain from bidding; or with any state official or employee as to quantity, quality or price in the prospective contract, or any other terms of said prospective contract; or in any discussions between bidders and any state official concerning exchange of money or other things of value for special consideration in the letting of contract.

Subscribed and sworn to me before this _____ day of _____, 20_____

Notary Public

My Commission Expires:

NON-KICKBACK AFFIDAVIT

COMPANY NAME: _____

As required by Oklahoma State Statutes, Title 62, § 310.9, any contract for \$25,000.00 or more for the purchase of materials, goods, or services, must be accompanied by the signed statement described below. Please sign this statement as indicated below and return to Moore Public Schools at the address shown below.

MOOREPUBLICSCHOOLS
Attn: Purchasing Department
1500 S.E. 4th Street
Moore, OK 73160-8232

The undersigned (architect, contractor, supplier, or engineer), of lawful age, being first duly sworn on oath says that this contract is true and correct. Affiant further states that the (work, services, or materials) will be (completed or supplied) in accordance with the plans, specifications, orders, or requests furnished the affiant. Affiant further states that (s)he has made no payment directly or indirectly to any elected official, officer, or employee of the State of Oklahoma, any county or local subdivision of the state, of money or any other thing of value to obtain or procure the contract or purchase order.

(Signature of contractor, supplier, engineer, or architect)

Subscribed and sworn to me before this _____ day of _____, 20__

Notary Public

My Commission Expires: _____

NON-ASBESTOS AFFIDAVIT

STATE OF OKLAHOMA _____)

SS)

COUNTY OF _____)

_____, of lawful age, being first duly sworn, on oath says that (s)he is the agent authorized by bidder to submit the attached bid. Affiant further states that the bidder has not included as a part of the bid and will not include in the finished construction, nor will said bidder allow any subcontractor or workman to include in the finished construction, any material which contains asbestos in any form in the amount equal to or in excess of the one percent (1%) by weight or volume.

Subscribed and sworn to me before this _____ day of _____, 20_____

Notary Public

My commission Expires:

NON-SEX OFFENDER AFFIDAVIT

The undersigned, _____ represents that he/she is the owner or an officer of _____, who has the authority to make this declaration to Moore Public Schools, as required by Section 6-101.48 of Title 70 of the Oklahoma Statutes.

I declare that no employee on school premises during normal working hours under the authority of the above-named company or business has been convicted in the State, the United States, or another state of any se offense subject to the sex Offenders Registration Act or is subject to other states or the federal sex offender registration provisions.

I further declare that no employee working on school premises during normal working hours under the authority f the above-named company or business has been convicted of a felony offense within the past ten (10) years in this State the United States, or another state.

Ifurther understand that Title 57, Oklahoma Statutes, Section 589 provides as follows, to wit:
It is unlawful for any person registered pursuant to the Sex Offenders Registration Act to work with or provide services to children or to work on school premises, or for any person or business who offers or provides services to children or contracts for work to be performed on school premises to knowingly and willfully allow any employee to work with children or to work on school premises who is registered pursuant to the Sex Offenders Registration Act. Upon conviction for any violation of the provisions of the subsection, the violator shall be guilty of a misdemeanor punishable by a fine not to exceed One Thousand Dollars (\$1,000.00). In addition, the violator may be liable for civil damages.

Dated this _____ day of _____, 20__

Vendor / Contractor’s Name and Address

Authorized Signer

Subscribed and sworn to me before this _____ day of _____, 20__

Notary Public

MyCommission Expires:

Business Relations Affidavit

State of _____

)ss.

County of _____

_____, of lawful age, being first duly sworn on oath that (s)he is the agent authorized by the bidder to submit the attached bid. Affiant further states that the nature of any partnership, joint venture, or other business relationship presently in effect of which existed within one (1) year prior to the date of this statement which the architect, engineer, or other part of the project is as follows:

Affiant further states that any such business relationship presently in effect or which existed within one (1) year prior to the date of this statement between any official or director of the architectural or engineering firm or any other party to the project is as follows:

Affiant further states that the names of all persons who have any such business relationship and the positions they hold with their respective companies or firms are as follows:

(If none of the business relationships hereinabove mentioned exists, affiant should so state)

Name: _____

Title: _____

Subscribed and sworn before me this _____ day of _____, 20____

Notary Public

My Commission Expires: _____

DOCUMENT 400
GENERAL BID PACKAGE ITEMS

Each Bid Package shall include, but is not necessarily limited to the following General Bid Package Items:

Section1-
General

- A. Subcontractor acknowledges that they have performed an onsite investigation, if desired, of the site conditions and acknowledges that all activities must be performed in close coordination with other Subcontractors. The Subcontractor shall be responsible for all means and methods for performing the work according to the contract documents, site conditions, and all applicable codes.
- B. Subcontractor shall comply with all provisions of the OMNI Construction contract, insurance, safety, and EEOC requirements.
- C. In addition to the Conditions of Specification, drawings, submittals, and Closeout Submittals the Subcontractor shall provide the following:
 - o Each Submittal shall be submitted under separate coversheet indicating the specific Specification Section to which it pertains.
 - o Subcontractor shall submit three (3) hard copies and one (1) digital copy of each submittal.
 - o Subcontractor shall submit two (2) hardcopies and one (1) digital copy of Close-out Documents.
 - a. Subcontractor shall be responsible for timely submission of all submittals, including but not limited to: shop drawings, samples, product data sheets MSDS information, and all other submittals required by the contract documents.
 - b. Miscellaneous – This contract will be provided by OMNI Construction. All warranties and guarantees are to be transferred to Owner at the completion of this project.
 - c. Subcontractor shall sequence work as directed by OMNI without exception.
 - d. All correspondence for this project shall be directed to the designated Project Manager – OMNI Construction.
 - e. Coordination – Subcontractor shall have a designated Project Superintendent who will regularly attend construction meetings as required involving this project. The Superintendent/representative attending the meeting shall have the authority and ability to make binding commitments regarding the timing of the performance of Subcontractor’s work. Subcontractor, Field Project Manager or Superintendent may not be changed without mutual agreement with OMNI Construction. Subcontractor shall attend all schedule related meetings to coordinate access to work areas with the other Subcontractors, OMNI Construction and Owner work forces that are on site.
 - f. Subcontractor shall engage a qualified surveyor to establish exact points to act as working points as needed. Subcontractor shall include the cost to resurvey as needed to establish final dimensions and protect and maintain working points and survey control points from disturbance caused during construction. Construction Manager will provide two (2) Benchmarks to establish the layout.

- g. Subcontractor shall include all layout and field dimensions associated with this work.
- h. Subcontractor shall coordinate delivery of materials. Subcontractor shall provide equipment and personnel necessary to unload, stack, and store onsite. Subcontractor shall inventory all delivered items and inspect for damage or missing items. Any damaged or missing items shall be noted on the Bill of Lading. Subcontractor shall notify suppliers and arrange for replacement items to be shipped. Subcontractor shall file all damage claims with insurance carriers. Placement of staged items shall be coordinated with OMNI Construction.
- i. Subcontractor shall be responsible for any damage caused by the Subcontractor to any adjoining areas that remain.
- j. Subcontractor shall pay for all repairs to other Subcontractor's work damaged by contractor's personnel, suppliers, or subcontractors during construction.
- k. Subcontractor shall be responsible for daily clean-up to include but not limited to: Removal and/or proper storage of tools, equipment, and materials as required by the Construction Manager, disposal of scrap and waste material, and the sweeping of any dust and dirt generated by construction activities, including general foot traffic of the subcontractor. All debris will be removed from the working area and deposited in the dumpster or proper location by the subcontractor, as directed by the Construction Manager.
- l. Subcontractor is responsible for the proper back fill and testing of work put in place by the subcontractor in accordance with specification section 02200 Earthwork.
- m. Subcontractor is responsible for fire caulking and sealing of all penetrations, with an equal fire rating to that of the wall being penetrated by the subcontractor's work.

Section 2- **Project Schedule**

Project Sequence: Bidders will be required to adhere to the project schedule, which will be provided by OMNI Construction. Work will be performed as required to meet the overall completion date.

- A. The Subcontractor agrees that it will provide adequate manpower to complete the Subcontractor's Work in accordance with the time established by the Schedule during regular working hours. The Schedule is based on a 40-hour work week. The Work Week is Monday – Friday, from 7:00 a.m. – 4:00 p.m. It shall be the Subcontractor's responsibility to meet the Schedule. Any cost associated with additional manpower and or overtime hours required to meet the schedule are the responsibility of the Subcontractor. In addition, the Subcontractor will be liable to the Construction Manager in connection with any overtime required to meet the schedule due to Subcontractor's inability to meet the schedule during regular hours, including but not limited to, additional supervision and a reasonable markup for overhead and profit.
- B. Off hour and or Overtime may be required to complete select activities as may be directed by the Construction Manager and or Owner to meet the need of the school. These activities will be scheduled in advance.

- C. It shall be the responsibility of Subcontractor to provide in writing the following information on a weekly basis, in order to update the Master Project Schedule:
- Detailed Schedule including activities, anticipate durations and man loading
 - Subcontractor's daily report shall be submitted to OMNI Project Superintendent
 - Planned crew size and man-hours by week
 - Actual crew size and man-hours expended by week
 - Planned units by week
 - Actual units installed by week
- D. Subcontractor shall provide an estimated man-loading curve for the duration of the project. This curve will be used as a guide for man loading throughout project. Subcontractor shall coordinate with OMNI Construction to refine the schedule for manpower loading and timely completion of the project. This responsibility will be ongoing as updates are required.

Section3-
Safety

- 3.1 Subcontractor shall implement a safety program meeting or exceed the requirements set forth by OSHA.
- 3.2 High visibility clothing and proper PPE will be required 100% of the time for the duration of this project.

DOCUMENT 500
BIDPACKAGE1-15

BIDPACKAGE 1: DEMO/SITWORK (Not Used)

Project: Southgate Elementary Office Addition
Location: 500 N. Norman, Moore, OK 73160

| Specification | | |
|----------------------|------------------------------|---|
| Section | Description | |
| Division 0 | Bidding & Contract Documents | Complete |
| Division 1 | General Requirements | Complete |
| Section 02050 | Demolition | As applicable to Site Prep and Concrete |
| Section 02100 | Site Preparation | Complete |
| Section 02200 | Earthwork | As applicable to Concrete |
| Section 02910 | Temporary Erosion Control | Complete |
| Section 02920 | Landscape Grading | Complete |

This bid package shall include all labor, materials, equipment, services, insurances, and incidentals for the DEMO/SITWORK BID PACKAGE, including work from referenced specifications and other work normally associated with this trade.

The scope of work shall include all General Bid Package Items as listed in section 400 of Division 0 of the bid manual and shall also include, but not be limited to the following items:

1. Furnish labor, materials, and equipment necessary to complete demo/sitework.
2. Testing to be paid for by others, but to be coordinated by contractor.
3. Include all dewatering required to perform this scope of work.
4. Provide construction entrance and laydown area.
5. All miscellaneous equipment and material required for the proper completion of this scope of work.
6. Subcontractor is to ensure that all elevated work areas are made ready to protect all areas below and have OSHA approved fall protection for work to proceed.

BIDPACKAGE 2: CONCRETE

Project: Southgate Elementary Office Addition
Location: 500 N. Norman, Moore, OK 73160

| Specification Section | Description | |
|------------------------------|------------------------------|---------------------------|
| Division 0 | Bidding & Contract Documents | Complete |
| Division 1 | General Requirements | Complete |
| Section 02050 | Demolition | As applicable to concrete |
| Section 02280 | Soil treatment | Complete |
| Section 02500 | Paving and Surfacing | Complete |
| Section 03300 | Cast-In-Place Concrete | Complete |
| Section 06100 | Rough Carpentry | As applicable to concrete |
| Section 07200 | Insulation | As applicable to concrete |
| Section 07260 | Vapor Barrier | As applicable to concrete |

This bid package shall include all labor, materials, equipment, services, insurances, and incidentals for the CONCRETE BID PACKAGE, including work from referenced specifications and other work normally associated with this trade.

The scope of work shall include all General Bid Package Items as listed in section 400 of Division 0 of the bid manual and shall also include, but not be limited to the following items:

1. Furnish and install all concrete complete.
2. Furnish and install all rebar, dowels, and accessories associated with concrete. Furnish and maintain all rebar caps on dowels until next trade begins tie in. **(Rebar associated with Masonry will be provided and installed in Masonry Bid package.)**
3. Furnish and install all required form work.
4. Excavate and fill as required for all concrete work.
5. Furnish all sand & gravel base required for concrete work.
6. Include all necessary layout and surveying from a provided benchmark for concrete work.
7. Include all termite treatments.
8. Testing to be paid for by others but coordinated by contractor.
9. Include all concrete related weather and temperature protection.
10. Include all dewatering required to perform this scope of work.
11. Include concrete repairs including but not limited to patching, rubbing, grinding, fill, sandblast, and caulk as indicated on the drawings and specifications.

12. Furnish and install board insulation under slab and at foundation perimeter per plans and specifications.
13. All miscellaneous equipment and material required for the proper completion of this scope of work.
14. Subcontractor is to ensure that all elevated pours are made ready to protect all areas below and have OSHA approved fall protection for work to proceed.
15. Furnish and install sidewalks/paving as detailed.

BIDPACKAGE 3: MASONRY (Not Used)

Project: Southgate Elementary Office Addition
Location: 500 N. Norman, Moore, OK 73160

| Specification Section | Description | |
|------------------------------|------------------------------|--------------------------|
| Division 0 | Bidding & Contract Documents | Complete |
| Division 1 | General Requirements | Complete |
| Section 04810 | Unit Masonry Assemblies | Complete |
| Section 05500 | Metal Fabrications | As Applicable to Masonry |

This bid package shall include all labor, materials, equipment, services, insurances, and incidentals for the MASONRY BID PACKAGE, including work from referenced specifications and other work normally associated with this trade.

The scope of work shall include all General Bid Package Items as listed in section 400 of Division 0 of the bid manual and shall also include, but not be limited to the follow items:

1. Furnish and install all necessary materials to complete masonry work, inclusive of rebar related to masonry scope of work.
2. Provide all necessary equipment and materials required for completion of this scope of work.
3. Subcontractor to ensure that all elevated work areas are made ready to protect all areas below and have OSHA approved fall protection for work to proceed.
4. Install all loose steel lintels over openings.

BIDPACKAGE 4: METALS (MATERIAL ONLY)

Project: Southgate Elementary Office Addition
Location: 500 N. Norman, Moore, OK 73160

| Specification Section | Description | |
|------------------------------|------------------------------|-----------------------------|
| Division 0 | Bidding & Contract Documents | Complete |
| Division 1 | General Requirements | Complete |
| Section 05120 | Structural Steel | Material Complete |
| Section 05210 | Steel Joists | Material Complete |
| Section 05310 | Metal Deck | Material Complete |
| Section 05500 | Metal Fabrications | As per plans and applicable |

This bid package shall include all material, equipment, services, insurances, and incidentals for the METAL (MATERIAL ONLY) BID PACKAGE, including work from referenced specifications and other work normally associated with this trade.

The scope of work shall include all General Bid Package Items as listed in section 400 of Division 0 of the bid manual and shall also include, but not be limited to the following items:

1. Supply all structural steel framing, joist, and steel decking.
2. Supply all anchors for embedding into concrete.
3. Supply all anchors for embedding into masonry.
4. Supply all bridging and seats.
5. Supply all bearings and angles.
6. Supply all lintels.
7. Supply all required fasteners to include but not limited to bolts, nuts, lag bolts, machine screws, plain washers, drilled-in expansion bolts, toggle bolts, epoxy, anchors, screens, and concrete inserts as indicated in the documents.
8. Include delivery of all material associated with this bid package. Delivery must be coordinated with the Construction Manager and steel erector.
9. Supply all seismic bracing steel.

BIDPACKAGE 5: WOOD & PLASTIC (Not Used)

Project: Southgate Elementary Office Addition

Location: 500 N. Norman, Moore, OK 73160

| Specification Section | Description | |
|------------------------------|------------------------------|---|
| Division 0 | Bidding & Contract Documents | Complete |
| Division 1 | General Requirements | Complete |
| Section 06200 | Finish Carpentry | As applicable to custom casework/millwork |
| Section 06410 | Custom Casework | Complete |

This bid package shall include all labor, materials, equipment, services, insurances, and incidentals for the WOODS & PLASTICS BID PACKAGE, including work from referenced specifications and other work normally associated with this trade.

The scope of work shall include all General Bid Package Items as listed in section 400 of Division 0 of the bid manual and shall also include, but not be limited to the following items:

1. Furnish and install all necessary materials to complete carpentry work.
2. Provide all necessary equipment and materials required for the proper completion of this scope of work.
3. Subcontractor to ensure that all elevated work areas are made ready to protect all areas below and have OSHA approved fall protection for work to proceed.

BIDPACKAGE 6: THERMAL & MOISTURE PROTECTION (Not Used)

Project: Southgate Elementary Office Addition
Location: 500 N. Norman, Moore, OK 73160

| Specification Section | Description | |
|------------------------------|------------------------------|--|
| Division 0 | Bidding & Contract Documents | Complete |
| Division 1 | General Requirements | Complete |
| Section 07100 | Waterproofing | Complete |
| Section 07150 | Dampproofing | Complete |
| Section 07200 | Insulation | Complete except as to concrete, roofing And interior finish |
| Section 07840 | Firestopping | Complete |
| Section 07900 | Sealants | Complete |

This bid package shall include all labor, materials, equipment, services, insurances, and incidentals for the THERMAL & MOISTURE PROTECTION BID PACKAGE, including work from referenced specifications and other work normally associated with this trade.

The scope of work shall include all General Bid Package Items as listed in section 400 of Division 0 of the bid manual and shall also include, but not be limited to the following items:

1. Furnish and install all necessary materials to complete the waterproofing/insulation/firestopping work.
2. Provide all necessary equipment and materials required for completion of this scope of work.
3. Subcontractor to ensure that all elevated work areas are made ready to protect all areas below and have OSHA approved fall protection for work to proceed.

BIDPACKAGE 7: DOORS/HARDWARE (MATERIAL ONLY) (Not Used)

Project: Southgate Elementary Office Addition
Location: 500 N. Norman, Moore, OK 73160

| Specification Section | Description | |
|------------------------------|------------------------------|-----------------------------------|
| Division 0 | Bidding & Contract Documents | Complete |
| Division 1 | General Requirements | Complete |
| Section 06100 | Rough Carpentry | As applicable to this bid package |
| Section 06200 | Finish Carpentry | As applicable to this bid package |
| Section 06300 | Wood Treatment | As applicable to this bid package |
| Section 08100 | Metal Doors and Frames | As applicable to this bid package |
| Section 08200 | Wood Doors | As applicable to this bid package |
| Section 08700 | Finish Hardware | As applicable to this bid package |

This bid package shall include all labor, materials, equipment, services, insurances, and incidentals for the DOORS/HARDWARE BID PACKAGE, including work from referenced specifications and other work normally associated with this trade.

The scope of work shall include all General Bid Package Items as listed in section 400 of Division 0 of the bid manual and shall also include, but not be limited to the following items:

1. Furnish all wood and metal doors, frames and hardware per plans and specifications installation by others.

BIDPACKAGE 8: FINISHES (CEILING SYSTEM) (Not Used)

Project: Southgate Elementary Office Addition
Location: 500 N. Norman, Moore, OK 73160

| Specification Section | Description | |
|------------------------------|------------------------------|-----------------------------------|
| Division 0 | Bidding & Contract Documents | Complete |
| Division 1 | General Requirements | Complete |
| Section 05400 | Cold Formed Metal Framing | Complete |
| Section 06100 | Rough Carpentry | As applicable to this bid package |
| Section 06200 | Finish Carpentry | As applicable to this bid package |
| Section 06300 | Wood Treatment | As applicable to this bid package |
| Section 07200 | Insulation | As applicable to this bid package |
| Section 09120 | Ceiling Suspension Systems | Complete |
| Section 09250 | Gypsum Wallboard | Complete |
| Section 09500 | Acoustical Treatment | Complete |

This bid package shall include all labor, materials, equipment, services, insurances, and incidentals for the FINISHES (CEILING SYSTEM) BID PACKAGE, including work from referenced specifications and other work normally associated with this trade.

The scope of work shall include all General Bid Package Items as listed in section 400 of Division 0 of the bid manual and shall also include, but not be limited to the following items:

1. Furnish labor, materials, and equipment necessary to complete the ceiling system/finish framing/sheetrock.
2. All miscellaneous equipment and material required for the proper completion of this scope of work.
3. Demo as per sheet C200 on existing building.
4. Subcontractor is to ensure that all elevated work is made ready to protect all areas below and have OSHA approved fall protection for work to proceed.

BIDPACKAGE 9: SPECIALTIES (ACCESSORIES) (Not Used)

Project: Southgate Elementary Office Addition
Location: 500 N. Norman, Moore, OK 73160

| Specification Section | Description | |
|------------------------------|------------------------------|----------|
| Division 0 | Bidding & Contract Documents | Complete |
| Division 1 | General Requirements | Complete |
| Section 10100 | Chalkboards and Tackboards | Complete |
| Section 10520 | Fire Protection Specialties | Complete |
| Section 10800 | Toilet and Bath Accessories | Complete |

This bid package shall include all labor, materials, equipment, services, insurances, and incidentals for the SPECIALTIES (ACCESSORIES) BID PACKAGE, including work from referenced specifications and other work normally associated with this trade.

The scope of work shall include all General Bid Package Items as listed in section 400 of Division 0 of the bid manual and shall also include, but not be limited to the following items:

1. Furnish all materials necessary for installation of accessories per the plans and specifications, installation to be provided by others.

BIDPACKAGE 10:FLOORING (Not Used)

Project: Southgate Elementary Office Addition
Location: 500 N. Norman, Moore, OK 73160

| Specification Section | Description | |
|------------------------------|------------------------------|----------|
| Division 0 | Bidding & Contract Documents | Complete |
| Division 1 | General Requirements | Complete |
| Section 09300 | Tile | Complete |
| Section 09650 | Resilient Tile Flooring | Complete |
| Section 09681 | Carpet Tile | Complete |

This bid package shall include all labor, materials, equipment, services, insurances, and incidentals for the FLOORING BID PACKAGE, including work from referenced specifications and other work normally associated with this trade.

The scope of work shall include all General Bid Package Items as listed in section 400 of Division 0 of the bid manual and shall also include, but not be limited to the following items:

1. Furnish labor, materials, and equipment necessary to complete flooring.
2. All miscellaneous equipment and material required for the proper completion of this scope of work.

BIDPACKAGE 11: PAINTING (Not Used)

Project: Southgate Elementary Office Addition
Location: 500 N. Norman, Moore, OK 73160

| Specification Section | Description | |
|------------------------------|------------------------------|----------|
| Division 0 | Bidding & Contract Documents | Complete |
| Division 1 | General Requirements | Complete |
| Section 09900 | Painting | Complete |

This bid package shall include all labor, materials, equipment, services, insurances, and incidentals for the PAINTING BID PACKAGE, including work from referenced specifications and other work normally associated with this trade.

The scope of work shall include all General Bid Package Items as listed in section 400 of Division 0 of the bid manual and shall also include, but not be limited to the following items:

1. Furnish labor, materials, and equipment necessary to complete painting.
2. Provide all miscellaneous equipment and material required for the proper completion of this scope of work.
3. Subcontractor is to ensure that all elevated work is made ready to protect all areas below and have OSHA approved fall protection for work to proceed.

BIDPACKAGE 12: FIRE SUPPRESSION (Not Used)

Project: Southgate Elementary Office Addition

Location: 500 N. Norman, Moore, OK 73160

| Specification Section | Description | |
|----------------------------------|--|----------|
| Division 0 | Bidding & Contract Documents | Complete |
| Division 1 | General Requirements | Complete |
| Section 210500 | Common Work Results for Fire Suppression | Complete |
| Section 210553 | Identification for Fire Suppression Piping and Equipment | Complete |
| Section 211300 | Fire Suppression Sprinklers | Complete |

This bid package shall include all labor, materials, equipment, services, insurances, and incidentals for the FIRE SUPPRESSION BID PACKAGE, including work from referenced specifications and other work normally associated with this trade.

The scope of work shall include all General Bid Package Items as listed in section 400 of Division 0 of the bid manual and shall also include, but not be limited to the following items:

1. Furnish labor, materials, and equipment necessary to complete fire suppression.
2. All miscellaneous equipment and material required for the proper completion of this scope of work.
3. Subcontractor is to ensure that all elevated work is made ready to protect all areas below and have OSHA approved fall protection for work to proceed.

BIDPACKAGE 13:MECHANICAL (Not Used)

Project: Southgate Elementary Office Addition
Location: 500 N. Norman, Moore, OK 73160

| Specification Section | Description | |
|------------------------------|---|----------|
| Division 0 | Bidding & Contract Documents | Complete |
| Division 1 | General Requirements | Complete |
| Section 230500 | Common Work Results for HVAC | Complete |
| Section 230513 | Common Motor Requirements for HVAC Equipment | Complete |
| Section 230548 | Vibration and Seismic Controls for HVAC Piping and Equipment | Complete |
| Section 230593 | Testing, Adjusting, & Balancing for HVAC | Complete |
| Section 230700 | HVAC Insulation | Complete |
| Section 233100 | HVAC Ducts and Casings | Complete |
| Section 233300 | Air Duct Accessories | Complete |
| Section 233713 | Diffusers, Registers, and Grilles | Complete |
| Section 235400 | Gas Fired Furnaces | Complete |
| Section 236213 | Packaged Air-Cooled Refrigerant Compressor and Condensing Units | Complete |

This bid package shall include all labor, materials, equipment, services, insurances, and incidentals for the MECHANICAL BID PACKAGE, including work from referenced specifications and other work normally associated with this trade.

The scope of work shall include all General Bid Package Items as listed in section 400 of Division 0 of the bid manual and shall also include, but not be limited to the following items:

1. Furnish labor, materials, and equipment necessary to complete mechanical.
2. Testing to be coordinated by mechanical contractor.
3. All miscellaneous equipment and material required for the proper completion of this scope of work.
4. Coring, patching, and caulking of penetrations required for this scope of work.
5. Subcontractor is to ensure that all elevated work is made ready to protect all areas below and have OSHA approved fall protection for work to proceed.

BIDPACKAGE 14: PLUMBING (Not Used)**Project: Southgate Elementary Office Addition****Location: 500 N. Norman, Moore, OK 73160****Specification**

| Section | Description | |
|----------------|---|----------|
| Division 0 | Bidding & Contract Documents | Complete |
| Division 1 | General Requirements | Complete |
| Section 220500 | Common Work Results for Plumbing | Complete |
| Section 220516 | Exp. Fittings & Loops for Plumbing Piping | Complete |
| Section 220519 | Meters and Gages for Plumbing Piping | Complete |
| Section 220548 | Vib. Controls for Plumbing Piping and Equipment | Complete |
| Section 220553 | Identification for Plumbing Piping & Equipment | Complete |
| Section 220719 | Plumbing Piping Insulation | Complete |
| Section 221005 | Plumbing Piping | Complete |
| Section 221006 | Plumbing Piping Specialties | Complete |
| Section 223000 | Plumbing Equipment | Complete |
| Section 224000 | Plumbing Fixtures | Complete |

This bid package shall include all labor, materials, equipment, services, insurances, and incidentals for the PLUMBING BID PACKAGE, including work from referenced specifications and other work normally associated with this trade.

The scope of work shall include all General Bid Package Items as listed in section 400 of Division 0 of the bid manual and shall also include, but not be limited to the follow items:

1. Provide all material labor, and equipment required for proper installation of complete plumbing system.
2. All piping, fittings, valves, cleanouts, fixtures, and accessories as required for complete and proper installation of plumbing.
3. Any sleeves and penetrations required in walls, floors, roof, etc. for this work including fire/smoke sealing inside and outside of sleeves and patching/fire caulking of the penetrations.
4. All supports, hangers and in-wall blocking required for this work.
5. All identification as called for and/or required per code.
6. Coring, patching, and caulking of penetrations required for this scope of work.
7. Caulking of all fixtures.
8. Furnishing and installing all plumbing equipment.
9. Provide all necessary sleeving and or block-outs at CMU required for the proper installation of all plumbing systems included in this contract agreement. Contractor will provide adequate layout and coordination with the Masonry Contractor to ensure proper installation of the work.

10. All permits, fees and inspections as required.
11. Allcutting and patching as required for the work of this proposal.
12. Subcontractor is responsible for backfilling and compactions per section 00202.
13. All testing to be paid for by others and coordinated by subcontractor associated with backfilling and compaction.
14. Subcontractor is responsible for removal of excess spoils from site.
15. Subcontractor to coordinate with utilities subcontractor to tie into utilities.
16. Subcontractor shall furnish and install steel, lockable, and primed access panels in any location required to allow for proper access to the plumbing system. Access panels shall be large enough to accommodate easy access for repairs, maintenance, and inspection.
17. All penetrations through CMU walls must have block-outs. Core drilling will not be allowed.
18. Subcontractor to review sheet C200 as applicable to plumbing.

BID PACKAGE 15: ELECTRICAL/CABLING/IT

Project: Southgate Elementary Office Addition

Location: 500 N. Norman, Moore, OK 73160

Specification

| Section | Description | |
|----------------------|---|----------|
| Division 0 | Bidding & Contract Documents | Complete |
| Division 1 | General Requirements | Complete |
| Section 260500 | Common Work Results for Electrical | Complete |
| Section 260504 | Cleaning, Inspection, and Testing of Electrical Equipment | Complete |
| Section 260519 | Low-Voltage Electrical Power Conductors & Cables | Complete |
| Section 260523 | Control-Voltage Electrical Power Cables | Complete |
| Section 260526 | Grounding and Bonding for Electrical Systems | Complete |
| Section 260529 | Hangers and Supports for Electrical Systems | Complete |
| Section 260533 | Raceway and Boxes for Electrical Systems | Complete |
| Section 260553 | Identification for Electrical Systems | Complete |
| Section 260573 | Short Circuit Coordination & Arc Flash Hazard Study | Complete |
| Section 262416 | Panelboards | Complete |
| Section 262702 | Equipment Wiring Systems | Complete |
| Section 262726 | Wiring Devices | Complete |
| Section 262728 | Disconnect Switches | Complete |
| Section 265113 | Interior Lighting Fixtures, Lamps, and Ballasts | Complete |
| Plan Sheet T000-T504 | Structured Cabling | Complete |
| Plan Sheet T000-T504 | Intercom System | Complete |
| Plan Sheet T000-T504 | Clock System | Complete |
| Plan Sheet T000-T504 | Security System | Complete |
| Plan Sheet T000-T504 | Access Control Equipment | Complete |
| Plan Sheet T000-T504 | IP Camera | Complete |
| Plan Sheet T000-T504 | Fire System | Complete |

This bid package shall include all labor, material, equipment, services, insurances, and incidentals for the ELECTRICAL/CABLING/IT BID PACKAGE, including work from referenced specifications and other work normally associated with this trade.

The scope of work shall include all General Bid Package Items as listed in section 400 of Division 0 of the Bid Manual and shall also include, but not be limited to the following items:

1. Furnish and install the complete building and site electrical systems as specified.
2. Furnish, install, and coordinate all permanent fire alarm and communication systems.
3. Provide, coordinate, and maintain all temporary building/jobsite trailer and site electrical power and lighting services, including temporary construction facilities.

4. Subcontractor is responsible for coordinating all systems with the Fire Sprinkler, Mechanical, and Plumbing Contractors.
5. All associated inspections, permits, and required fees.
6. Subcontractor is responsible for all layout associated with this bid package.
7. Subcontractor is responsible for bid package 14 associated earthwork, including hauling off excess spoils.
8. Furnish and install all sleeves for associated electrical work.
9. Subcontractor is responsible for any and all wiring to others equipment.
10. Subcontractor is responsible for all fire-stopping where this scope of work creates penetrations.
11. Furnish and install all conduit and boxes for specification divisions 26000 through 28000.
12. Furnish and install all conduit and boxes for all mechanical controls systems.
13. Subcontractor shall furnish and install steel, lockable, and primed access panels in any location required to allow for proper access to the electrical system. Access panels shall be large enough to accommodate easy access for repairs, maintenance, and inspection.
14. Demo as per sheet C200.
15. All penetrations through CMU walls must have block-outs. Core drilling will not be allowed.

END

**MOORE PUBLIC SCHOOLS
SOUTHGATE ELEMENTARY SCHOOL
OFFICE ADDITION**

**INDEPENDENT DISTRICT NO. 2
CLEVELAND COUNTY, MOORE, OKLAHOMA**

**500 NORTH NORMAN
MOORE, OKLAHOMA 73160**

PROJECT MANUAL
MARCH 2023

AGP | the Abla Griffin
Partnership



PROJECT MANUAL

MARCH 2023

MOORE PUBLIC SCHOOLS SOUTHGATE ELEMENTARY SCHOOL OFFICE ADDITION

INDEPENDENT DISTRICT NO. 2
CLEVELAND COUNTY, MOORE, OKLAHOMA

500 NORTH NORMAN
MOORE, OKLAHOMA 73160

ARCHITECT:

AGP | the Abla Griffin
Partnership

the Abla Griffin Partnership LLC
201 North Broadway, Suite 210
Moore, Oklahoma 73160
t: 405.735.3477
AGP@theAGP.net



TABLE OF CONTENTS

| | |
|---|--------------|
| Title Page | 1 page |
| Table of Contents | 3 pages |
| Structural Specification Table of Contents | 1 page |
| Mechanical, Electrical, Plumbing, & Technology Table of Contents | 2 pages |
| BIDDING REQUIREMENTS | |
| Special Conditions | 7 pages |
| DIVISION 1 - GENERAL REQUIREMENTS | |
| 01010 Summary of the Work | 01010-1 - 4 |
| Job Sign Drawing | 1 page |
| DIVISION 2 - SITE WORK | |
| 02050 Demolition | 02050-1 - 3 |
| 02100 Site Preparation | 02100-1 - 2 |
| 02110 Temporary Construction Fencing | 02110-1 - 2 |
| 02200 Earthwork | 02200-1 - 5 |
| 02280 Soil Treatment | 02280-1 - 2 |
| 02500 Paving and Surfacing | 02500-1 - 4 |
| 02741 Hot Mix Asphalt Paving | 02741-1 - 10 |
| 02900 Turf Establishment | 02900-1 - 4 |
| 02910 Temporary Erosion Control | 02910-1 - 6 |
| 02920 Landscape Grading | 02920-1 |
| DIVISION 3 - CONCRETE | |
| 03300 Cast-In-Place Concrete | 03300-1 - 14 |
| DIVISION 4 - MASONRY | |
| 04810 Unit Masonry Assemblies | 04810-1 - 10 |
| DIVISION 5 - METALS | |
| 05120 Structural Steel | 05120-1 - 6 |
| 05210 Steel Joists | 05210-1 - 4 |
| 05310 Metal Deck | 05310-1 - 3 |
| 05400 Cold Formed Metal Framing | 05400-1 - 10 |
| 05500 Metal Fabrications | 05500-1 - 4 |
| DIVISION 6 - WOOD & PLASTIC | |
| 06100 Rough Carpentry | 06100-1 - 4 |
| 06200 Finish Carpentry | 06200-1 - 2 |
| 06300 Wood Treatment | 06300-1 |
| 06410 Custom Casework | 06410-1 - 7 |
| 06420 Custom Laminate Casework (Contractor Option) | 06420-1 - 11 |

TABLE OF CONTENTS

DIVISION 7 - THERMAL & MOISTURE PROTECTION

| | | | |
|-------|---|---------|------|
| 07100 | Waterproofing | 07100-1 | - 2 |
| 07150 | Dampproofing | 07150-1 | - 2 |
| 07200 | Insulation | 07200-1 | - 2 |
| 07260 | Vapor Barrier | 07260-1 | - 3 |
| 07540 | Thermoplastic Polyolefin (TPO) Roofing System | 07540-1 | - 12 |
| 07550 | Modified Bitumen Membrane Roofing System | 07550-1 | - 14 |
| 07600 | Flashing and Sheet Metal | 07600-1 | - 3 |
| 07840 | Firestopping | 07840-1 | - 9 |
| 07900 | Sealants | 07900-1 | - 6 |

DIVISION 8 - DOORS & WINDOWS

| | | | |
|-------|---------------------------|---------|-----|
| 08100 | Metal Doors and Frames | 08100-1 | - 9 |
| 08200 | Wood Doors | 08200-1 | - 5 |
| 08400 | Entrances and Storefronts | 08400-1 | - 6 |
| 08700 | Finish Hardware | 08700-1 | - 6 |
| 08800 | Glazing | 08800-1 | - 2 |

DIVISION 9 - FINISHES

| | | | |
|-------|-------------------------------------|---------|-----|
| 09120 | Ceiling Suspension Systems | 09120-1 | - 3 |
| 09250 | Gypsum Wallboard | 09250-1 | - 3 |
| 09500 | Acoustical Treatment | 09500-1 | - 2 |
| 09652 | Polyvinyl Chloride Composition Tile | 09652-1 | - 2 |
| 09681 | Carpet Tile | 09681-1 | - 7 |
| 09900 | Painting | 09900-1 | - 4 |

DIVISION 10 - SPECIALTIES

| | | | |
|-------|-----------------------------|---------|-----|
| 10100 | Markerboards and Tackboards | 10100-1 | - 2 |
| 10400 | Interior Signage | 10400-1 | - 4 |
| 10420 | Letters and Plaques | 10420-1 | - 3 |
| 10520 | Fire Protection Specialties | 10520-1 | - 2 |

DIVISION 11 - EQUIPMENT

Not Used

DIVISION 12 - FURNISHINGS

Not Used

DIVISION 13 - SPECIAL CONSTRUCTION

Not Used

DIVISION 14 - CONVEYING SYSTEMS

Not Used

TABLE OF CONTENTS

DIVISIONS 23 AND 26 - MECHANICAL, ELECTRICAL, & TECHNOLOGY

REFER TO MECHANICAL AND ELECTRICAL TABLE OF CONTENTS

STRUCTURAL SPECIFICATION TABLE OF CONTENTS

Section Section Titlepages

DIVISION 2 - SITE CONSTRUCTION

02466 Drilled Piers (KFC)1-6

DIVISION 3 - CONCRETE

03300 Cast-In-Place Concrete (KFC)1-22

DIVISION 5 - METALS

05120 Structural Steel Framing (KFC)1-6

05210 Steel Joist Framing (KFC)1-4

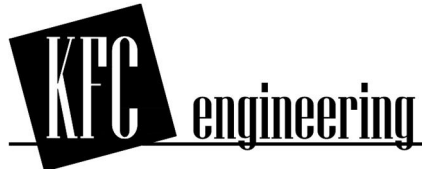
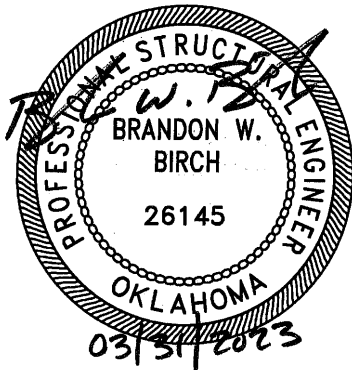
05310 Steel Decking (KFC)1-3

05500 Metal Fabrications (KFC)1-4

DIVISION 7 - THERMAL AND MOISTURE PROTECTION

07260 Vapor Barrier (KFC)1-3

END



Kirkpatrick Forest Curtis PC
Structural Engineering
OK CA #3888, EXP. 06/30/23
525 Central Park Drive, Suite 202
Oklahoma City, OK 73105
Telephone: 405.528.4596
Fax: 405.528.4580

SECTION 000110

TABLE OF CONTENTS

Engineer of Record
Divisions 23
Dwayne McDonald Gordon
Mechanical Engineer
Salas O'Brien, LLC
OK 30822 / EXP 02.28.2024
CA 7058/ EXP 06.30.2023



DIVISION 23 - HEATING, VENTILATING, AND AIR CONDITIONING (HVAC)

| | |
|--------|---|
| 230500 | Common Work Results for HVAC |
| 230513 | Common Motor Requirements for HVAC Equipment |
| 230548 | Vibration and Seismic Controls for HVAC Piping and Equipment |
| 230593 | Testing, Adjusting, and Balancing for HVAC |
| 230700 | HVAC Insulation |
| 233100 | HVAC Ducts and Casings |
| 233300 | Air Duct Accessories |
| 233713 | Diffusers, Registers and Grilles |
| 235400 | Gas Fired Furnaces |
| 236213 | Packaged Air-Cooled Refrigerant Compressor and Condensing Units |

Engineer of Record
Division 26
Timothy Van Ostran
Electrical Engineer
Salas O'Brien, LLC
OK 32650 / EXP 03.31.2025
CA 7058 / EXP 06.30.2023



DIVISION 26 - ELECTRICAL

- 260500 Common Work Results for Electrical
- 260504 Cleaning, Inspection and Testing Electrical Equipment
- 260519 Low-Voltage Electrical Power Conductors and Cables
- 260523 Control-Voltage Electrical Power Cables
- 260526 Grounding and Bonding for Electrical Systems
- 260529 Hangers and Supports for Electrical Systems
- 260533 Raceway and Boxes for Electrical Systems
- 260553 Identification for Electrical Systems
- 260573 Short Circuit Coordination Study and Arc Flash Hazard Study
- 262416 Panelboards
- 262702 Equipment Wiring Systems
- 262726 Wiring Devices
- 262728 Disconnect Switches
- 265113 Interior Lighting Fixtures, Lamps, and Ballasts

END OF SECTION

SPECIAL CONDITIONS

TIME FOR COMPLETION AND LIQUIDATED DAMAGES:

- A. Upon execution of the contract agreement between the Owner and the Contractor, it shall become an obligation of the contractor to complete all work to be performed under this agreement for the construction of the new Southgate Elementary School Office Addition to be located at 500 North Norman, Moore, OK 73160 - **within 270 Calendar Days.**
- B. Penalty for noncompliance by the above date shall be cessation of all further periodical payments until the work is completed, and can be fully used for the purpose intended.

PAYMENTS:

- A. The Owner's payment schedule indicating the payment dates established by Moore Public Schools shall be provided to the contractor to establish a monthly payment schedule.
- B. **Certificates of payment shall be submitted to the Architect on or before 7 days prior to Owner's cut-off date.**
- C. Until the Work is 50 percent complete, the Owner will pay 95 percent of the amount due the Contractor on account of progress payments. At the time the Work is 50 percent complete, any **remaining** partial payments shall be paid at 97.5 percent of amount due. The retainage shall be retained until the project is completed.

INSURANCE AND BONDS:

- A. Insurance provided shall be with a company or companies licensed to do business in the state of Oklahoma.
- B. Policies shall be provided in the following types and amounts:
 - 1. a. Workmen's Compensation-Statutory
 - b. Employer's Liability-\$500,000 each accident.
 - 2. Comprehensive General Liability:
 - a. Bodily Injury - \$1,000,000 each occurrence.
 - b. Personal Injury - \$1,000,000
 - c. Property Damage - \$1,000,000 each occurrence

3. Automobile Liability:
 - a. Bodily Injury - \$500,000 each person/\$1,000.000 each occurrence
 - b. Such Comprehensive Automobile Liability Insurance shall include all owned and non-owned hired motor vehicles.
 4. Owners Protective Liability - Same limits as above.
 5. Products and Completed Operations - Same limits as above.
 6. Contractual Liability - Same limits as above.
- C. Furnish one copy of Certificates herein required for each copy of the Agreement; specifically set forth evidence of all coverage required by Subparagraphs 11.1 and 11.2. Furnish to the Owner copies of any endorsements that are subsequently issued amending coverage or limits.
- D. **The Contractor shall provide property insurance in the amount of the initial contract sum as well as subsequent modifications thereto for the entire Work at the site on a replacement cost basis without voluntary deductibles. This insurance coverage shall be the "all-risk" form for completed value.**

TEMPORARY SERVICES:

- A. Sanitary Facilities: The Contractor shall provide and maintain necessary sanitary conveniences for the use of those employed on/or about the work. The sanitary facilities shall be properly secluded from public observation and shall be such locations as shall be approved by the Owner, and their use shall be strictly enforced.

SHOP DRAWINGS and SUBMITTALS:

- A. Unless otherwise specified, the shop drawings and product data shall be submitted **electronically**. Physical samples of materials shall be submitted to the Architect as required.
- B. Construction Manager is responsible for obtaining and distributing required prints of shop drawings to his

subcontractors and material suppliers after as well as before final approval.

- C. Shop drawings and samples shall be dated and marked to show the names of the Project, Architect, CM, originating Sub-Contractor, manufacturer or supplier, and separate detailer if pertinent. Shop drawings shall completely identify Specifications section and locations at which materials or equipment are to be installed. Reproduction of Contract Drawings are acceptable as Shop Drawings only when specifically authorized in writing by the Architect.
- D. If materials or specified items other than those specified in these Contract Documents are supplied - and approved by the Architect - it shall be the Construction Manager's responsibility to provide ALL additional materials, accessories, substrates, utility connection, etc. for a complete and operational installation at NO additional cost to the Owner.

CHANGES IN THE WORK:

- A. Cost shall be limited to the following: cost of materials, including sales tax and cost of delivery; cost of labor, including social security, old age and unemployment insurance, and fringe benefits under collective bargaining agreements; workmen's compensation insurance; bond premiums; and rental value of power tools and equipment. Overhead shall include the following; supervision, superintendence, wages of time keepers, watchmen and clerks, hand tools, incidentals, general office expense, and all other expenses not included in "cost".
- B. Change Order markups shall be limited to 10% overhead and 10% profit. No other markups shall be allowed.

AS BUILT DRAWINGS:

- A. Provide and maintain in proper order and in good, clean condition in the field office at the project site, one complete full-size set of all working drawings. On this set of drawing prints, in red ink, neatly and accurately inscribe any and all changes in the work.
- B. Upon completion of work, the Contractor shall furnish one set of

"as built" drawings. These drawings shall be contract drawings corrected in **red ink** to show any differences between contract drawings and actual construction. All changes made during construction shall be noted. Each drawing showing changes in dimensions, details, or containing supplemental information shall be plainly marked "**As Built**" and shall contain the signature of both the Architect and the Contractor.

CLOSEOUT SUBMITTALS:

Prepare project data in the form of an instructional manual supplied electronically on media as requested by Owner (CD or flash drive). The following information shall be included and arranged under a Table of Contents:

1. Directory listing names, addresses, and telephone numbers of the Architect/Engineer(s), Construction Manager, Subcontractors, and major material/equipment suppliers.
2. Operation and maintenance instructions, arranged by system and subdivided by specification section. For each category, identify names, addresses, and telephone numbers of Subcontractors and Suppliers. Include equipment, parts list for each, operating instructions, maintenance instructions for equipment, special finishes, etc.
3. Project documents and certificates, including shop drawings and product data, air and water balance reports, photocopies of warranties.
4. Record As-Built Drawings as described above.
5. Completed Non-Asbestos Affidavit.

DEBRIS DISPOSAL:

Waste disposal shall be the responsibility of the Contractor. The Contractor shall make arrangements with the local authorities having jurisdiction for accommodation of all waste disposal. If local facilities are not available the contractor shall be responsible for all other arrangements for waste disposal.

SUPPLEMENTARY CONDITIONS AND SPECIAL CONDITIONS:

In the following sections where the term "General Conditions" is used, it shall include the "Supplementary Conditions" and/or "Special Conditions" bound in this project manual.

MISCELLANEOUS PROVISIONS:

A. TESTS AND INSPECTIONS

Add the following clarification: **Regardless of how it is described elsewhere in the drawings and specifications, the CM shall engage all testing laboratories / subcontractors as**

approved by the Architect; and, pay for ALL testing as required by the drawings and specifications. The CM shall pay for any additional testing due to defective work. The Owner shall pay for any additional testing requested and found to be non-defective.

B. EQUAL OPPORTUNITY

The Contractor shall maintain policies of employment as follows:

The Contractor and all Subcontractors shall not discriminate against any employee or applicant for employment because of race, religion, color, sex, or national origin. The Contractor shall take affirmative action to insure that applicants are employed, and that employees are treated fairly during employment without regard to their race, religion, color, sex, or national origin. Such action shall include, but not be limited to the following: employment, upgrading, demotion, or transfer; recruitment advertising; layoff or termination; rates of pay or any other forms of compensation; and selection for training, including apprenticeship. The Contractor agrees to post in conspicuous places, available to employees and applicants for employment, notices setting forth the policies of non-discrimination.

C. COOPERATION WITH BUILDING OFFICIALS

Cooperate with applicable Federal, State, City or other governmental officials and inspectors at all times. If such officials or inspectors deems special inspection necessary, provide assistance and facilities that will expedite his inspection.

Construction Manager shall be responsible for obtaining and paying for ALL building permits required for this project. This cost shall be included in the Construction Manager's General Conditions.

D. MEASUREMENTS

Before doing any work or ordering any materials, the Contractor shall verify all measurements of existing and new work, and shall be responsible for their correctness.

Any differences which may be found shall be submitted to the Architect for consideration before proceeding with the work. No extra compensation will be allowed because of differences between actual dimensions and measurements indicated on the working drawings.

E. CONFLICTS BETWEEN DRAWINGS AND SPECIFICATIONS

Conflicts between the drawings and specifications shall be brought to the immediate attention of the Architect. Failure to bid item(s) noted on the drawings and omitted from the specifications **does not** remove responsibility from the Construction Manager and applicable Subcontractor(s) to provide and install such with no additional cost to the Owner.

These Contract Documents - including but not limited to the Drawings, Project Manual, and any subsequent Addenda - are issued as a "whole" and shall be bid as such. Each discipline / subcontractor shall review the entire set of Contract Documents and include applicable work in their bid **regardless of location within the Contract Documents**. Reviewing only a portion of the Contract Documents shall not absolve the construction manager or subcontractor of the requirement to perform the work of their respective disciplines and/or trade.

F. MANUFACTURER'S SPECIFICATIONS AND INSTRUCTIONS

Install all manufactured items of materials or equipment in strict accordance with manufacturer's recommended specifications, except that the specifications herein, where more stringent, shall be complied with.

At the completion of the project and prior to final acceptance by the Owner, provide the Owner with three complete sets of operating and maintenance instructions, and demonstrate to him the procedures for proper operation and maintenance of all equipment.

G. JOB MAINTENANCE

During the course of their work, all crafts and trades shall protect all work which preceded theirs from damage, and they shall make repairs or replacements to any damage caused either directly or indirectly by them.

H. COMPLIANCE WITH STATE AND FEDERAL LAWS

Contractor assumes full responsibility for the payment of all contributions and payroll taxes (state and federal) as to all subcontractors and employees engaged in the performance of work pursuant hereto and further agrees to check and meet all requirements that might be specified under regulations of the administrative officials or board charged with the enforcement of any state or federal act on the subject referred to. CM agrees to furnish Owner, upon request, a certificate or other evidence of compliance therewith.

I. OCCUPATIONAL SAFETY AND HEALTH ACT OF 1970 (OSHA)

The Construction Manager shall comply with the latest edition and revision of The Federal Occupational Safety and Health Act of 1970 for construction.

J. GUARANTY BONDS

1. Prior to the Owner signing the contract agreement, he will require the Contractor to furnish performance and payment bonds covering the faithful performance of the entire construction contract agreement. The performance bond and the payment bond shall each be made out in one hundred percent (100%) of the contract sum and shall be in a company or companies against which the Owner has no reasonable objection.
2. Bonds shall be signed by an official of the bonding company, and shall be accompanied by the bonding agent's written power-of-attorney in order that one copy may be attached to each copy of the contract agreement.
3. The Construction Manager shall include in his proposal amount the total premiums for all required bonds.
4. Unless noted otherwise, the Construction Manager does hereby warrant and/or guarantee against defects in all workmanship and materials performed or furnished by him directly or by his subcontractors for a period of one (1) year from the date of completion, as evidenced by the date of the Final Certificate or final acceptance of the project. Said warranty and/or guarantee shall be in the form of a good and sufficient bond in a sum equal to one hundred percent (100%) of the contract price.

End of Special Conditions

DIVISION 1 - GENERAL REQUIREMENTS

SECTION 01010-SUMMARY OF THE WORK

Part 1 - General

1.01 Work Included:

- A. The General Conditions, Bidding Requirements, and Division I are hereby made a part of each of the technical sections that follow, and shall be understood to apply and shall apply in full to all individuals or corporations who contract or subcontract to perform any part or all of the project work.
- B. Indications on the working drawings or in any section of the specifications of an article or material, operation, or method, requires that the Contractor shall provide each item or service or quality or is subject to qualifications noted; and, the Contractor shall perform each operation prescribed according to the conditions stated providing, therefore, all necessary labor, equipment, and incidentals to complete the project work.
- C. The project:
 1. Name: Southgate Elementary Office Addition - Moore Public Schools
 2. Location: 500 North Norman - Moore, Oklahoma 73160.

1.02 Summary of Work:

- A. **Base Bid:** Provide and pay for all materials, labor, services, equipment, licenses, taxes, permits, and other items necessary for the complete construction of an (approximately) 963 s.f. new office / entry addition including new sidewalks and applicable site utilities. And, limited demolition of portions of the existing building to accommodate connection to the new addition. Contractor shall maintain all barriers, guards and other environmental items required at the site during construction.
- B. Owner: Moore Public Schools
 1. Owner's Representative:
Jeff Horn, Assistant Superintendent, Operations
Moore Public Schools
1500 SE 4th Street
Moore, OK 73160
405-735-4221
- C. Design Team:
 1. Architect:
Mike Abla, Principal Architect
AGP
201 N. Broadway, Suite 210
Moore, OK 73160
405-735-3477
 2. Structural Engineer:
Brandon Birch, Structural Engineer
KFC Engineering, Inc.
525 Central Park Drive, Suite 202
Oklahoma City, OK 73105
405-528-4596

DIVISION 1 - GENERAL REQUIREMENTS

SECTION 01010-SUMMARY OF THE WORK

3. Mechanical, Electrical and Plumbing Engineers:
Dwayne Gordon, Mechanical Engineer
Salas O'Brien
2600 Van Buren St., Suite 2604
Norman, OK 73072
405-364-9926
 4. Civil Engineer:
Derek Harris, Engineering Intern
Cedar Creek
P.O. Box 14534
Oklahoma City, OK 73113
405-863-8984
 5. Construction Management Team:
Joe Sherga, Project Manager
Omni Construction LLC
1909 South Eastern
Moore, OK 73160
405-735-3992
- 1.04 Work to be Provided and Installed By Others:
Not applicable.
- 1.05 Use of the Site:
- A. Confine operations at the site to the areas permitted under the contract. Portions of the site beyond areas on which work is indicated are not to be disturbed.
 - B. Keep facility free from accumulation of waste material, rubbish or construction debris.
- 1.06 Safety of Persons and property:
- A. Contractor shall at all times protect the building from damage from rainwater.
 - B. Contractor shall provide barricades and clearly mark work zone areas.
 - C. Refer to Special Conditions "Temporary Services" for additional information.
 - D. During the period of construction, the OSHA Standards shall be followed as applicable by law.
 - E. The Contractor shall post emergency telephone numbers.
- 1.07 Preconstruction Conference:
- A. A preconstruction meeting will be held at a time and place designated by the Architect or Owner's Representative, for the purpose of identifying responsibilities of the Owner's and the Architect's personnel and explanation of administrative procedures.
 - B. The Contractor shall use this meeting for the following minimum agenda:
 1. Construction Schedule/Project Phasing.
 2. Use of areas of the site.
 3. Delivery and storage.
 4. Safety.
 5. Security.

DIVISION 1 - GENERAL REQUIREMENTS

SECTION 01010-SUMMARY OF THE WORK

6. Cleaning up.
 7. Subcontractor procedures relating to:
 - a. Submittals.
 - b. Change orders.
 - c. Applications for payment.
 - d. Record documents.
 - C. The attendees shall include:
 1. The Owner's Representatives.
 2. The Architect.
 3. The Contractor and its superintendent.
- 1.08 Project Scheduling:
- A. The Contractor is responsible for the scheduling of construction and must prepare a schedule and charting system described below. This schedule is to ensure adequate planning and execution of the work by the contractor and to assist the Architect in appraising the schedule and evaluating the progress of the work.
 - B. The project schedule shall be presented within ten (10) days after receipt of the Notice to Proceed. Three (3) copies of the schedule shall be submitted to the Architect for review and approval.
 - C. The schedule logic must be in the form of a "fenced" bar chart or Critical Path Method network indicating the planned start and completion dates of the activity, logical constraints between activities, and total float of each activity.
 - D. An updated project schedule shall be provided when requested by the Architect.
- 1.09 Environmental Controls:
- A. Water Resources:
 1. Oily substances: prevent oily or other hazardous substances from entering the ground, drainage areas, or local bodies of water.
 2. Mosquito abatement: prevent ponding of stagnant water conducive to mosquito breeding habitat.
 - B. Land Resources:
 1. Erodible soils: plan and conduct earthwork to minimize the duration of exposure of unprotected soils. Clear areas in reasonably sized increments only as needed to use the areas developed. Immediately protect side slopes and back slopes upon completion of rough grading.
 - C. Air resources:
 1. Prevent creation of dust, air pollution, and odors.
 2. Use water sprinkling, temporary enclosures, and other appropriate methods to limit dust and dirt rising and scattering in air to locate practical level.
 3. Store volatile liquids, including fuels and solvents, in closed containers.
 4. Properly maintain equipment to reduce gaseous pollutant emissions.
 - D. Comply with all applicable environmental control guidelines

DIVISION 1 - GENERAL REQUIREMENTS

SECTION 01010-SUMMARY OF THE WORK

as required by the City of Moore.

1.10 Temporary Utilities:

- A. The Contractor shall provide and pay for all temporary utilities required for the complete construction of the project including, but not limited to, electricity, lighting, heating, cooling, ventilating, telephone, water, sanitary facilities, exterior and interior enclosures, access roads and parking areas, cleaning and waste removal, project identification and signs, etc.

1.11 Cleaning:

- A. Use cleaning materials and agents recommended by manufacturer or fabricator of surface to be cleaned. Do not use cleaning agents that are potentially hazardous to health or property, or that might damage finished surfaces.
- B. Employ experienced workers or professional cleaners for final cleaning. Clean each surface or unit of work to condition expected from a commercial building cleaning and maintenance program. Comply with manufacturer's published instructions.
- C. Complete cleaning operations prior to requesting a Final / Substantial Completion Inspection.

1.12 Project Sign:

- A. Provide and install painted plywood project sign on wooden posts securely erected at the project site in a location approved by the Owner.
- B. No other project signs or advertisement shall be allowed at the project site unless approved by the Owner.
- C. Graphics and form of letter of the project sign shall be as indicated in the attached detail.

End of Section

8'-0"

YOUR BOND FUNDS AT WORK



MOORE Public Schools
LEARNING FOR LIFE

SOUTHGATE ELEMENTARY OFFICE ADDITION

ARCHITECT:

AGP - ABLA GRIFFIN PARTNERSHIP L.L.C.
MOORE, OKLAHOMA

CONTRACTOR:

OMNI CONSTRUCTION, L.L.C.
MOORE, OKLAHOMA

4'-0"

NOTES:

1. WHITE LETTERS ON DARK BLUE BACKGROUND
2. 3/4" EXTERIOR PLYWOOD - PAINTED ALL SIDES
3. MOUNT ON 4" X 4" WOOD POST
4. CONTRACTOR TO HAVE LAYOUT APPROVED PRIOR TO INSTALLATION

DIVISION 2 - SITE WORK

SECTION 02050 - DEMOLITION

Part 1 - General

1.01 Work Included:

- A. The General Conditions and applicable sections of Division 1 shall apply to this entire section.
- B. All materials, labor, services and incidentals necessary for the completion of this section of the work.
- C. Complete demolition of the existing paving and curbs; complete demolition of the existing curbs as necessary to construct new entry driveways; removal of existing trees; and all site materials as shown on the Drawings.
- D. Removal of all materials, debris and rubbish from site. Refer to Part 3 for ownership of materials.

1.02 Submittals:

- A. Scheduling of Alteration and Demolition Work:
 1. Before commencing any alteration removal or demolition work the contractor shall prepare and submit for approval by the Architect, a schedule showing the commencement, the order, and the completion dates of the various parts of this work.
 2. Before starting any work relating to existing utilities (electrical, heat, gas, etc.) that will temporarily discontinue or disrupt services to any existing building, the Contractor shall be required to give notice to the Architect and obtain his approval in writing before proceeding with this phase of work.

Part 2 - Materials (not applicable)

Part 3 - Execution

3.01 General Requirements:

- A. Permits, Licenses, Ordinances and Regulations:

All work shall comply with local and other governing ordinance, codes and regulations, but this requirement does not relieve the Contractor of responsibility of complying with these specifications. Complying with requirements of state, county or local laws, ordinances and regulations regarding demolition work is the responsibility of the Contractor, who shall pay any and all fees, and give any notices necessary in connection therewith.

3.02 Demolition of Work To Be Modified:

- A. Alterations and demolition shall be as indicated on the Drawings and in accordance with applicable technical sections of the specifications. The Contractor shall do all necessary demolition or removal of existing work as required in connection with this project, including shoring, bracing, etc. and removal of unwanted material and debris from the site. Demolish existing items only as necessary to tie on new construction as detailed. This work shall be done in a most careful manner, as the Contractor will be held responsible for any damage which

DIVISION 2 - SITE WORK

SECTION 02050 - DEMOLITION

- may be caused thereby to any part or parts of existing streets, neighboring buildings, and grounds.
- B. When alterations occur, or new and old work join, the immediate adjacent surfaces or so much thereof as required by the involved conditions, shall be cut, removed, patched, repaired or refinished and left in as good a condition as existed prior to the commencing of the work, and matching the remainder of the existing paving, etc.
 - C. Conduit and piping found underground on the site, or other areas involved in demolition or alteration shall be removed, re-rerouted or protected as required by the Drawings. Where these items are found; but not covered in the drawings, the Contractor shall notify the Architect for disposition instructions.
 - D. Maintain existing utility services to remain and protect from damage during demolition operations.
 - E. The Contractor shall furnish and install adequate guards, barricades and other temporary protection to prevent injury to persons.
 - F. The Contractor shall make every effort to control the amount of dust and the noise level generated by demolition operations.
- 3.03 Ownership and Disposition of Materials:
- A. Classification of removed materials (re: Drawings for applicable items):
 - 1. **Reinstalled:** Items are those items which, after removal, are to be used, reinserted, remounted or otherwise built back into the work under this contract.
 - 2. **Salvaged:** Items are those items which, after removal, are to be retained by the Owner and delivered for storage on the Owner=s premises.
 - 3. **Scrapped:** Items are all other removed materials or equipment. This includes all items which are not noted or specified for reinstallation or salvage.
 - B. Disposition by Classification:
 - 1. **Reinstalled:** Items of material or equipment shown on the work shall be jointly inspected by the Contractor and the Architect prior to dismantling or removal. An agreement shall be reached briefly setting forth the apparent condition of the material, or equipment, and approved by the Architect. Simple operating test of operative equipment will be included with this joint inspection if feasible. Such items shall be reinstalled as specified in the applicable sections of the specifications covering new items of similar categories.
 - 2. **Salvaged:** Materials and equipment noted on the Drawings or listed to be salvaged shall be carefully handled and protected and shall be delivered to storage areas, as designated by the Architect, on the Owner=s premises.
 - 3. **Scrapped:** All removed materials and equipment not noted on the drawings specified to be reinstalled, shall be considered as scrap and shall be disposed of by the

DIVISION 2 - SITE WORK

SECTION 02050 - DEMOLITION

Contractor off the Owner=s premises and credit for the value thereof, if any, shall have been reflected in the Contractor's bid price.

3.04 Clean-Up:

- A. Disposition of all material, debris and rubbish shall be the responsibility of the Contractor. Leave site clean. Completely remove all materials, debris, and rubbish from site. Absolutely no burning of debris on the site will be allowed.
- B. **The Contractor shall submit proposed refuse dumping sites to the Architect and shall receive written approval from the Architect concerning acceptable dumping sites prior to the disposition of any material, debris or rubbish generated by this project.**

End of Section

DIVISION 2 - SITE WORK

SECTION 02100 - SITE PREPARATION

Part 1 - General

1.01 Work Included:

- A. All materials, labor, services, and incidentals necessary for the completion of this section of the work.
- B. Erection and maintenance of a temporary construction fence, as noted on the Drawings, shall be provided by the Contractor.

1.02 Protection of Trees and Shrubs:

- A. All existing trees and shrubs in or near the construction area that are not indicated to be removed shall be protected. Should damage occur, the Contractor shall replace the tree or shrub with a similar size and species.
- B. Periodically water as required to limit dust and dirt during construction.
- C. Protect any adjacent property and improvements from damage, and replace any portions damaged through this operation.

Part 2 - Products

2.01 Materials:

- A. Temporary Fencing: **Refer to Section 02110.**

Part 3 - Execution

3.01 Clearing and Grubbing:

- A. Limits of clearing shall be all areas within contract limit lines.
- B. Remove all organic or undesirable materials from areas where concrete is to be placed.
- C. Within building lines and exterior concrete slabs remove roots, debris, rubbish, etc., and cut roots of adjacent trees and shrubs to remain, not less than 12" from concrete work.
- D. From building lines and exterior concrete walks and slabs out to the limits of earth cut and fill, remove all exposed stumps and roots, brush, rubbish, etc.
- E. Remove completely all existing trees designated on Drawings.
- F. Remove top soil to depth of organic matter and stockpile on site for use in grading.

3.02 Removal of Improvements:

- A. Remove all above-grade and below-grade improvements indicated on the Drawings or as necessary for the installation of new work.

DIVISION 2 - SITE WORK

SECTION 02100 - SITE PREPARATION

3.03 Disposal of Debris:

- A. Burning of combustible materials on the site will not be permitted. Completely remove from site and legally dispose of all materials and debris.

End of Section

DIVISION 2 - SITE WORK

SECTION 02110 - TEMPORARY CONSTRUCTION FENCING

Part 1 - General

1.01 Summary

- A. Section includes: Erection, maintenance and dismantling of temporary fencing around construction site and materials storage areas. This section does not apply where security fencing is required.
- B. Refer to Drawings for temporary fencing layout and location of gates.

1.02 Submittals

- A. Submit the following:
 - 1. Shop drawing indicating layout of temporary fencing, location and size of gates, existing pavement and roads, access to fire hydrants and hose connections, and other site specific conditions. Prepare drawing after site observation and verification of existing conditions.

Part 2 - Products

2.01 Temporary Chain Link fencing:

- A. Unless otherwise indicated, type of temporary chain link fencing shall be Contractor's option. Following types are acceptable:
 - 1. New materials or previously used salvaged chain link fencing in good condition.
 - 2. Posts: Galvanized steel pipe of diameter to provide rigidity. Post shall be suitable for setting in concrete footings, driving into ground, anchoring with base plates, or inserting in precast concrete blocks.
 - 3. Fabric: Woven galvanized steel wire mesh. Provide in continuous lengths to be wire tied to fence posts or prefabricated into modular pipe-framed fence panels.
 - 4. Height: Minimum Height shall be 8'-0".
- B. Gates: Provide personnel and vehicle gates of the quantity and size indicated on the Drawings or required for functional access to site.
 - 1. Fabricate of same material as used for fencing.
 - 2. Vehicle gates:
 - a. Minimum width: 20 feet to allow access for emergency vehicles.
 - b. Capable of manual operation by one person.

Part 3 - Execution:

3.01 Layout:

- A. Installation of temporary fencing shall not deter or hinder

DIVISION 2 - SITE WORK

SECTION 02110 - TEMPORARY CONSTRUCTION FENCING

access to existing and new hose connections and fire hydrants.

1. Maintain 3 feet diameter clear space around fire hydrants.
 2. Where fire hydrant or hose connection is blocked by fencing, provide access gate.
- B. Access: Provide gates for personnel, delivery of materials, and access by emergency vehicles.

3.02 Installation:

A. Chain link posts:

1. Space at 10'-0" maximum.
2. Drive posts, set in holes and backfill, or anchor in precast concrete blocks.
3. For soft and unstable ground conditions, cast concrete plug around post.
4. Posts over pavement: Use steel post plates or precast concrete blocks.
5. Gate posts: Use bracing or concrete footings to provide rigidity for accommodating size of gate.

B. Fabric: Securely attach to posts.

C. Gates: Install with required hardware.

D. Plastic mesh fencing: Space steel support posts to ensure mesh remains vertical and at proper height. Securely tie mesh to posts.

3.03 Maintenance and Removal:

- A. Maintain fencing in good condition. If damaged, immediately repair.
- B. Remove temporary fencing upon completion of Work or when no longer required for security or control. Backfill holes and compact. Holes in pavement shall be surfaced to match existing paving. Repair damage caused by installation of temporary fencing.

End of Section

DIVISION 2 - SITE WORK

SECTION 02200 - EARTHWORK

Part 1 - General

- 1.01 Work Included:
- A. All materials, labor, services and incidentals necessary for the completion of this section of the work.
- 1.02 Related Work Specified Elsewhere:
- A. Site Preparation - Section 02100
 - B. Paving and Surfacing - Section 02500
 - C. Cast-In-Place Concrete - Section 03300
- 1.03 Quality Assurance:
- A. Standards:
 - 1. American Society for Testing and Materials
 - a. ASTM D-1556, Density of soil in place
 - B. **Testing: All required tests, and their fees, shall be the responsibility of the Contractor. The Contractor shall engage and pay for the services of an independent testing laboratory approved by the Architect.**
 - 1. Qualified according to ASTM E-329 and ASTM D-3740 for testing.
 - C. Comply with 29 CFR 1926, Subpart P - Excavations (OSHA Regulations).
- 1.04 Submittals:
- A. Product data for each type of manufactured products required.
 - B. Qualification data for testing agency.
 - C. Material Test Reports for each borrow soil material proposed for engineered fill and backfill as follows:
 - 1. Classification according to ASTM D-2487.
 - 2. Laboratory compaction curve according to ASTM D-698.
- 1.05 Project Conditions:
- A. Traffic: minimize interference with adjoining roads, streets, walks, and other adjacent occupied or used facilities during earth moving operations.
 - 1. Do not close or obstruct streets, walks, or other adjacent occupied or used facilities without permission from Owner and Authority Having Jurisdiction. Provide alternate routes around obstructions as required by authorities.

Part 2 - Products

- 2.01 Materials:
- A. Backfill Material: Approved low volume change material. If additional material required, it shall be low plasticity cohesive material (plasticity index between 5 and 18 and a maximum liquid limit of 35 percent). The moisture content of the low volume change soil should be adjusted to its optimum value, or above, before compaction. The suitability of materials, including off-site soils, shall be approved by the Geotechnical Engineer hired by the Contractor. Frozen material shall not be acceptable for backfilling.
 - B. Top Soil: Material shall be native, fertile, neutral top soil of loamy character, free from heavy clay, coarse sand, stones,

DIVISION 2 - SITE WORK

SECTION 02200 - EARTHWORK

- lumps, plants, roots, or other foreign matter.
- C. Gravel: Course gravel - 100% passing a 2" screen, 90% retained on a 1/4" screen.
- D. Aggregate Base Course: Aggregate base - meet ASTM D448 size 57, 100 percent passing the 12" sieve, less than 5 percent passing the #8 sieve, plasticity index less than or equal to 6.
- E. Hydrated Lime: meet requirements of ASTM C977.

Part 3 - Execution

3.01 Excavations:

- A. General:
 - 1. Excavations shall be made to the elevations and dimensions shown on Drawings.
 - 2. If excavations are made deeper than called for on plans, no backfilling is permitted. Any additional depth or size shall be made up by additional concrete at no increase in contract price.
 - 3. Foundations shall be plumb, bottoms level and of type indicated on Drawings with allowance for erection of any required forms or shoring, and inspection of footings, etc.
 - 4. Shore and brace excavations where necessary to prevent cave-ins, and in accordance with all safety laws and codes, including all OSHA requirements.
 - 5. If an excavation must remain empty through a shutdown period, cover hole with suitable protection materials and clean out immediately prior to placing concrete.
 - 6. Keep excavations free of water by use of pumps.
 - 7. Keep area around excavations and concrete work clean for a distance of 3 feet all directions until concrete is placed and has set.
- B. Footings / Grade Beams:
 - 1. Footing bottoms shall be level, clean, clear of loose and objectionable material, and true to size.
 - 2. Concrete for footings shall be poured as soon as possible after excavation has been completed. Excavations shall be protected until concrete has been poured.
- C. Exterior and Pavement Sections:
 - 1. Excavate to underside of walks, curb, gutter, and miscellaneous items.
 - 2. Excavation shall be away from sides of grade beams and retaining walls below grade to a sufficient distance for erecting and removing forms with assured safety for workmen.
 - 3. Bottoms of excavated areas shall be level and kept clean of loose and objectionable materials at all times.
- D. All excavations for concrete footings, foundations or slabs shall be kept dry at all times and shall be completely dry at

DIVISION 2 - SITE WORK

SECTION 02200 - EARTHWORK

the time of any concrete pour. The Geotechnical Engineer, **hired by the Contractor**, shall make final approval of all excavations prior to the start of any concrete placement.

3.02 Classification of Excavation:

- A. All excavation shall be unclassified and the term "unclassified excavation" shall be understood to mean all and any materials encountered during excavation - including old floors, pavement, foundations, rock, earth, piping and debris. No adjustment in the contract price will be made on account of the presence or absence of rock, hard or soft sandstone, shale, masonry, or other materials.

3.03 Unknown Utilities:

A. Unknown Utilities:

1. If any unknown and uncharted utilities are encountered during excavation, promptly notify the Architect and wait for his instructions before proceeding.
2. If it is ascertained by the Architect that such utility line has been abandoned, the Contractor shall properly cap the line at depth of 12" or more below finish grade.
3. If such unknown utilities are encountered and work is continued without contacting the Architect for instruction, and damage is caused to said utilities, the Contractor shall repair, at his own expense, such damage to the satisfaction of the utility company concerned.

B. Unknown Obstacles:

1. If any unknown obstacles such as house or small building foundations or such as residential size basements, cisterns, etc., are encountered, the Contractor at his own expense shall remove the foundations, fill basements or cisterns or perform any work necessary to complete the work of this contract.
2. Should the Contractor encounter any unforeseen major obstacle in excavation, such as an abandoned water-well, subsurface streams, or "cave-ins" etc., which prove to be unduly expensive to overcome, it is the intention to cause a survey to be made to determine a course of action that will relieve the Contractor of undue expense.

3.04 Fill and Backfill:

A. Preparation for Concrete slab item on Fill:

1. Site preparation shall include removing existing vegetation, and any other unsuitable materials encountered. Refer to Structural Drawings concerning additional preparation procedures. The prepared area shall extend beyond the building footprint a minimum of 5 feet laterally. After performing the required cuts, proofroll existing site with a loaded, tandem-axle dump truck weighing at least 25 tons. Proofrolling shall involve overlapping passes in mutually perpendicular directions. After proofrolling, unstable soil should be overexcavated and replaced with a low volume change soil. Scarify existing soil at base of fill to a minimum depth

DIVISION 2 - SITE WORK

SECTION 02200 - EARTHWORK

- of 8"; moisture content of scarified soil shall be adjusted to a minimum of 2% above the material's optimum content, as determined by the standard Proctor method ASTM D-698, and be compacted to at least 95 percent of its maximum dry density.
2. Provide fill material to bring site to required grade. Refer to 2.01A.
 3. **Compaction:** Compact fill in lifts not exceeding 8" in loose thickness. Compact soil according to table below. Tests shall be required and paid for by the Contractor. Any additional moisture required to achieve compaction in a layer should be added and the entire lift mixed to obtain the uniform moisture content.
 4. Compaction shall not be attempted using water settling.
 5. **Care shall be taken to maintain the minimum recommended moisture content in the subgrade until floor slabs are constructed. Positive drainage shall also be developed away from building to prevent water from ponding along the perimeter and affecting future floor slab performance.**
- B. Preparation for Paving items on fill:
1. Before compaction, the top 8" of the stabilized soil zone shall be modified with a minimum of 7% hydrated lime. The lime shall be thoroughly blended into the subgrade and allowed to cure for 48 to 72 hours before being remixed and compacted. Before compaction, the treated soil zone shall be adjusted to within 2 percentage points of optimum moisture as determined by the standard Proctor method (ASTM D-698); then compacted to at least 98 percent of the material's maximum standard Proctor dry density.
- C. Backfill at Walls (including footing and foundation walls):
1. Fill material shall be approved backfill material except as noted on Drawings.
 2. Backfill around footing and foundation walls must be compacted.
- 3.05 Exterior Fill and Grading:
- A. Fill:
1. Subgrade fill as shown on plot plan, placed in 4" to 8" layers, to within 6" of finish. Compact according to table below.
 2. Top 6" of graded surface shall be approved top soil.
- B. Lines and Grades:
1. Work shall conform to lines and grades shown on the Drawings. Ruts holes and depressions shall be filled with approved material.
 2. The slopes between contours or between spot elevations shall be smooth, uniform slopes and the surface shall be finished to a tolerance of 2" in 10' under a straight edge.

DIVISION 2 - SITE WORK

SECTION 02200 - EARTHWORK

3.06 Compaction (fills less than 8'-0" thick):

Soil Compaction Criteria

Minimum Compaction (%) per ASTM D698

| Use | Exposed in-situ subgrade soil | Fill | Base Course |
|---|----------------------------------|------|-------------|
| Beneath foundation components | 95 | 95 | 95 |
| Beneath pavements, curbs and sidewalks (Stabilized on-site soil) | 98 | 98 | 95 |
| Aggregate base (at slab) Aggregate base (at pavements) | | | 98 |
| Beneath exterior slabs and utility trench backfill (stabilized on-site soil) | 95 | 95 | 95 |
| Miscellaneous backfill (non-load bearing) | | 90 | |

3.08 Testing:

- A. Make at least one density test of subgrade for every 1,000 square feet of paved area or building slab, but in no case less than 2 tests.
- B. In each compacted fill layer, make one density test for every 1,000 square feet of overlaying building slab or paved area, but in no case less than 4 tests.

3.09 Trenching and Backfilling of Utilities:

- A. The Contractor shall do all excavation and backfilling necessary for the installation of all utilities, including shoring, bailing, and pumping required to maintain the excavations in a safe and dry condition.
- B. All excavations shall be backfilled in 4" to 6" layers and thoroughly compacted one layer at a time with a mechanical tamper. Backfill material under areas where walks, drives, slab, parking areas, etc., are to be constructed shall be fill sand (free of all dirt). Backfill material in other areas shall be excavated material. Where excavation is not to be built over, replace the top 12" with existing top soil. Remove superfluous materials from job site.

End of Section

DIVISION 2 - SITE WORK

SECTION 02280 - SOIL TREATMENT

Part 1 - General

1.01 Work included:

- A. The General Conditions and applicable sections of Division 1 shall apply to this entire section.
- B. All materials, labor, services and incidentals necessary for the completion of this section of the work.

1.02 Quality Assurance:

- A. Soil shall be treated by an established, licensed pest control firm thoroughly familiar with local soils and chemicals.
- B. Contractor shall submit documentation for type of treatment to be used to the Architect for approval prior to commencing the work covered by this section.

1.03 Product Delivery, Storage and Handling:

- A. Precaution: Soil Termite Control is a toxic by ingestion, absorption through the skin, or inhalation and absorption through the respiratory tract. Strict adherence to the instructions printed by the manufacturer on the labeled containers shall be maintained while handling, mixing, and applying this material. Refer to label on containers for antidote and first aid. Erect and maintain suitable warning signs or barriers while application is underway and until treated surfaces are covered by new construction or soil fill.

Part 2 - Products

2.01 Materials:

- A. Soil Termite Control:
 - 1. Use working solutions containing any one of the following emulsion soil chemicals at the listed minimum concentrations:
 - a. Premise 75, Bayer 0.1% concentrate

Part 3 - Execution

3.01 General:

- A. All stumps, roots, fallen timber and other wood or wood products shall be removed from foundation area before treatment.
- B. To avoid surface flow of the chemical from the treated area, treatments shall not be made when the soil or fill is excessively wet or immediately after heavy rains.
- C. When treating under slabs, care shall be taken not to disturb perimeter excavations.

3.02 Installation - based on 0.1% dilution:

- A. Under Concrete Slab: Apply solution at the rate of one gallon per 10 sq. ft. of fill. Apply two gallon per 5 lin. ft. under

DIVISION 2 - SITE WORK

SECTION 02280 - SOIL TREATMENT

- foundation beams and at all plumbing risers.
- B. Adjacent to concrete slabs: Provide a maximum 8" deep trench continuous at perimeter of slab and apply solution at the rate of one gallon per 5 lin. ft. of trench. Fill trench with soil and repeat application of solution at the rate of one gallon per 5 lin. ft. Cover final application with top soil.

End of Section

DIVISION 2 - SITE WORK

SECTION 02500 - PAVING AND SURFACING

Part 1 - General

1.01 Work Included:

- A. All materials, labor, services, and incidentals necessary to complete all Paving Work as shown on the Drawings and specified herein.

1.02 Related Work Specified Elsewhere:

- A. Site Preparation - Section 02100
- B. Earthwork for Buildings - Section 02200
- C. Cast-In-Place Concrete - Section 03300

1.03 Quality Assurance:

- A. Standards:
 - 1. American Society for Testing and Materials (ASTM).
 - 2. American Association of State Highway and Transportation Officials (AASHTO).
 - 3. Oklahoma Department of Transportation (ODOT) Standard Specifications for Highway Construction.
- B. **Testing: All required tests, and their fees, shall be the responsibility of the Contractor. The Contractor shall engage and pay for the services of an independent testing laboratory approved by the Architect.**

1.04 Paving Quality Requirements:

- A. General: In addition to other specified conditions, comply with the following minimum requirements:
 - 1. Test concrete as required under Section 03300 - Cast-In-Place Concrete.
 - 2. Test subgrade preparation as required under Section 02200 - Earthwork for Buildings.
- B. Provide final surfaces of uniform texture, conforming to required grades and cross-sections. Finished surface tolerance - 1/2" in 10'-0" under a straightedge.
- C. Thickness: In-place compacted thickness shall not be acceptable if not meeting the minimum thickness indicated on the Drawings.

1.05 Coordination:

- A. Coordinate work and cooperate with any other trades whose work relates to paving in any way.

1.06 Personnel:

- A. All work shall be directed by trained and experienced applicators, thoroughly adept at the procedures and equipment required by this section.

1.07 Weather Limitations:

- A. Do not install paving when the subgrade is frozen or show any evidence of excessive moisture.
- B. Do not install paving when the air temperature is less than 40 degrees Fahrenheit nor when temperature of the surface on

DIVISION 2 - SITE WORK

SECTION 02500 - PAVING AND SURFACING

which mixture is to be placed is below 40 degrees Farenheit unless directed otherwise by Architect.

Part 2 - Products

2.01 Material Applications:

- A. Subgrade Preparation:
 - 1. Description: Refer to Section 02200 - Earthwork, Part 3, 3.01 and 3.04.
- B. Concrete Paving (where applicable):
 - 1. Description: A minimum 3,500 p.s.i. 28 day concrete slab with a minimum cement content of six (6) sacks per cubic yard on prepared base and subgrade course. Provide steel dowels at all expansion and construction joints. The concrete shall be reinforced with #3 bars at 24" o.c. Provide expansion and saw joints as shown on the Drawings.
- C. Concrete Curbs:
 - 1. Description: Concrete curbs and/or gutters constructed of a minimum 3,500 p.s.i., 28 day concrete with a minimum cement content of six (6) sacks per cubic yard on prepared base and subgrade course. Provide steel dowels at all expansion and construction joints.
- D. Concrete Walks:
 - 1. Description: A 3,500 p.s.i. reinforced concrete slab on a sand base. Provide expansion and saw cuts as shown on the Drawings.
- E. Paint:
 - 1. Parking lot paint shall be Pittsburg Paints Speedhide High Performance Test Drying Safety Paint:
 - a. Colors:
 - 1. Fire lane striping and curbs - red with white letters indicating "FIRE LANE - NO PARKING".
- F. Asphalt Paving (if required for patching of areas damaged during construction): refer to Section 02741 - Hot Mix Asphalt Paving.

2.02 Expansion Control:

- A. Construction Joint Form: Tongue and groove keyway, premolded asphaltic or wood form, designed to provide 1 1/2" keyway.
- B. Joint Filler: Resilient, non-extruding bituminous-impregnated fiberboard expansion joint material by thickness shown on the Drawings, ASTM D-1751.
- C. Joint Sealers: Hot applied, non-tracking asphalt-rubber compound, ASTM D-1190.
- D. Anchorage Inserts: Malleable cast iron adjustable wedge, or threaded, type with 3/4" bolt size unless indicated otherwise on the Drawings.

DIVISION 2 - SITE WORK

SECTION 02500 - PAVING AND SURFACING

- E. Embedded Items: Provide materials as sized and/or indicated on the Drawings, or as required.

Part 3 - Execution

3.01 General:

- A. Make careful inspection of excavated surface on which paving is to be placed and check on bottom and top grades of paving throughout the area to be paved, prior to starting work under this section. Notify the Contractor of any unsatisfactory conditions. Do not begin paving work until such conditions have been corrected and area is ready to receive paving.

3.02 Workmanship:

- A. Apply paving in true planes to eliminate depressions or "fat" spots. Carefully warp changes in slope. Carefully hand compact and roll around building projections so that texture and compaction matches machine compaction. Mask building before placing concrete primer to prevent staining exposed building surfaces, and concrete curbs.
- B. All concrete curb and gutter shall be constructed to the alignment and grades shown on the plans.
- C. Backfill shall be placed behind the sidewalks in a manner that will not cause displacement of the section nor damage to the exposed edges. All damaged sidewalks shall be replaced at the direction of the Architect at the Contractor's expense.
- D. Adjoining Paving: where new work adjoins existing, warp carefully to flush surface, with seal over joint.
- E. Construction Joints: As noted on the Drawings or as directed by the Architect:
 - 1. At joints, thoroughly clean surfaces and remove all laitance.
 - 2. In addition, vertical surfaces shall be thoroughly wetted and coated with cement grout before placing new concrete.
- F. Expansion Joints: As noted on the Drawings, or as directed by the Architect:
 - 1. Provide 1/2" expansion joints where sidewalks join structural concrete.
 - 2. Hold filler material down 1/2", fill top with sealant.
- G. Control Joints: Provide scored lines and weak plane joints on exterior and interior concrete slabs as indicated on the Drawings, and as approved by the Architect. Fill with sealant.
- H. Finishes:
 - 1. Concrete Walks and Pavement:
 - a. Provide trowel and medium broom finish. Refer to drawings.
 - b. Broom after concrete is hard enough to retain

DIVISION 2 - SITE WORK

SECTION 02500 - PAVING AND SURFACING

scoring, using a stiff fiber, or wire, broom. Broom perpendicular to direction of traffic.

- I. Repair any damage to finished pavement surfaces that may result from subsequent construction to a smooth, true, and uniform surface.
- J. Clean-up: After completion of paving operations, remove all excess materials, equipment and debris (dispose of away from the site). Leave all work in clean condition.
- K. Protection:
 - 1. Provide barricades and warning devices as required to protect pavement and the general public.
 - 2. Cover any openings of structures in area of paving until permanent coverings are installed.
 - 3. Prohibit all traffic on paving until it has reached atmospheric temperature.
- L. Pavement Markings:
 - 1. Surface shall be dry, free of oil, and grease, and cleaned of all loose dirt.
 - 2. Paint shall be spray applied to a wet film thickness of 12-15 mils.
 - 3. The paint shall be spray applied in accordance with manufacturer's recommendations.
 - 4. Do not apply paint markings on surfaces that are not dry or if rain is expected within 24 hours.
 - 5. Do not apply paint markings when surface temperature is below 50 degrees F.
 - 6. At sidewalks, and where applicable, use straightedge to provide uniform, clean, and straight stripe.

End of Section

DIVISION 2 - SITE WORK

SECTION 02741 - HOT MIX ASPHALT PAVING (if applicable)

PART 1 - GENERAL

1.1 RELATED DOCUMENTS

- A. Drawings and general provisions of the Contract Sections, apply to this Section.

1.2 SUMMARY

- A. This Section includes the following:

1. Hot-mix asphalt paving.
2. Hot-mix asphalt patching.
3. Pavement-marking paint.
4. Subgrade modification.

- B. Related Sections include the following:

1. Division 2 Section "Earthwork".

1.3 QUALITY ASSURANCE

- A. STATE OF OKLAHOMA, DEPARTMENT OF TRANSPORTATION, Standard Specifications for Construction and Materials, Current standards, as amended to date.

- B. Current ODOT Standards are available at the following website address:
[http://www.odot.org/c_manuals/specbook/oe ss 2009.pdf](http://www.odot.org/c_manuals/specbook/oe_ss_2009.pdf)

- C. 36 CFR 1191 American with Disabilities Act and Architectural Barriers Act Accessibility Guidelines.

1.4 SYSTEM DESCRIPTION

- A. Provide hot-mix asphalt paving according to materials, workmanship, and other applicable requirements of standard specifications.

1.5 SUBMITTALS

- A. Product Data: For each type of product indicated. Include technical data and tested physical and performance properties (all test results must be current - within the last 12 months).

- B. Job-Mix Designs: Certification of approval of job mix proposed for the Work (mix must be current - within the last 12 months).

DIVISION 2 - SITE WORK

SECTION 02741 - HOT MIX ASPHALT PAVING (if applicable)

- C. In place material testing procedures - refer to Section 3.11 for testing requirements.

1.6 QUALITY ASSURANCE

- A. Manufacturer Qualifications:
 - 1. Manufacturer shall be Oklahoma Department of Transportation (ODOT) approved paving-mix manufacturer.
- B. Testing Agency Qualifications: Qualified according to ASTM D 3666 for testing indicated, as documented according to ASTM E 548.

1.7 DELIVERY, STORAGE, AND HANDLING

- A. Deliver pavement-marking materials to Project site in original packages with seals unbroken and bearing manufacturer's labels containing brand name and type of material, date of manufacture, and directions for storage.

1.8 PROJECT CONDITIONS

- A. Environmental Limitations: Do not apply asphalt materials if subgrade is wet or excessively damp or if the following conditions are not met:
 - 1. Prime and Tack Coats: Minimum surface temperature of 40 deg F.
 - 2. Asphalt Base Course: Minimum surface temperature of 40 deg F and rising at time of placement.
 - 3. Asphalt Surface Course: Minimum surface temperature of 60 deg F at time of placement.

PART 2 - PRODUCTS

2.1 AGGREGATES

- A. Coarse and Fine Aggregate: shall be in accordance with the requirements of ODOT Standards for Construction, as amended to date, for hot-mixed asphalt.

2.2 ASPHALT MATERIALS

- A. Prime Coat: ASTM D 2027, medium-curing cutback asphalt, MC-30 or MC-70.

DIVISION 2 - SITE WORK

SECTION 02741 - HOT MIX ASPHALT PAVING (if applicable)

B. Tack Coat: AASHTO M 140, emulsified asphalt slow setting, diluted in water, of suitable grade and consistency for application - ASHTO MP1.

C. Water: Potable.

2.3 STABILIZED SUBGRADE MATERIAL

A. Hydrated Lime Material: Shall meet the requirements of ASTM C 977. Top 8" of substrate shall be amended at a rate of 5 - 7% hydrated lime.

B. At the time of hydrated lime stabilization placement, the contractor shall coordinate with the testing agency to observe and provide on-site testing during application. This is required to ensure the proper amount of hydrated lime is mixed and the recommended subgrade modification is achieved.

C. Compact to a minimum 95 percent optimum density in accordance with ASTM D 698, or 92 percent optimum density in accordance with ASTM D 1557, unless otherwise required by the Geotechnical Report which is a part of these Contract Documents.

2.4 AUXILIARY MATERIALS

A. Joint Sealant: ASTM D 3405 or AASHTO M 301, hot-applied, single-component, polymer-modified bituminous sealant as manufactured by:

- a. Crafcoc Inc
- b. W.R. Meadows, Inc.
- c. Or approved equal

B. Color: Joint color shall match pavement color. Contractor shall submit color sample to Owner for approval

C. Herbicide: Commercial chemical for weed control, registered by the EPA. Provide in granular, liquid, or wettable powder form.

2.5 MIX

A. Hot-Mix - Hot Lay Asphalt:

1. Oklahoma Department of Transportation (ODOT) Type "A" Asphalt Concrete:

DIVISION 2 - SITE WORK

SECTION 02741 - HOT MIX ASPHALT PAVING (if applicable)

Sieve Size (inch) Passing (%)

| | |
|---------|--------|
| 1-1/2" | 100 |
| 1 | 90-100 |
| 3/4 | - |
| 1/2 | 70-90 |
| 3/8 | - |
| No. 4 | 40-65 |
| No. 10 | 25-45 |
| No. 40 | 10-26 |
| No. 200 | - |

Asphalt Cement

% of mix mass 3.8 - 6.5

2. Oklahoma Department of Transportation (ODOT) Type "B"
Asphalt Concrete:

Sieve Size (inch) Passing (%)

| | |
|---------|--------|
| 1-1/2" | - |
| 1 | - |
| 3/4 | 100 |
| 1/2 | 90-100 |
| 3/8 | 70-90 |
| No. 4 | 45-70 |
| No. 10 | 25-50 |
| No. 40 | 12-30 |
| No. 200 | 7-20 |

Asphalt Cement

% of mix mass 4.7 - 7.5

PART 3 - EXECUTION

3.1 EXAMINATION

- A. Verify that subgrade is dry and in suitable condition to support paving and imposed loads. Contractor shall verify proper moisture.
- B. Proof-roll subbase using a loaded, tandem-axle dump truck weighing at least 25 tons to locate areas that are unstable or that require further compaction. Amend substrate below all paving with lime stabilization as per Geotechnical Report which is a part of this Project Manual, and as described above.

DIVISION 2 - SITE WORK

SECTION 02741 - HOT MIX ASPHALT PAVING (if applicable)

- C. Proceed with paving only after unsatisfactory conditions have been corrected.

3.2 SURFACE PREPARATION

- A. General: Immediately before placing asphalt materials, remove loose and deleterious material from substrate surfaces. Ensure that prepared subgrade is ready to receive paving.
- B. Prime Coat: Apply uniformly over surface of compacted unbound-aggregate base course at a rate of 0.15 to 0.50 gal./sq. yd.. Apply enough material to penetrate and seal but not flood surface. Allow prime coat to cure for 72 hours minimum.
 - 1. If prime coat is not entirely absorbed within 24 hours after application, spread sand over surface to blot excess asphalt. Use enough sand to prevent pickup under traffic. Remove loose sand by sweeping before pavement is placed and after volatiles have evaporated.
 - 2. Protect primed substrate from damage until ready to receive paving.

3.3 HOT-MIX ASPHALT PLACING

- A. Machine place hot-mix asphalt on prepared surface, spread uniformly, and strike off. Place asphalt mix by hand to areas inaccessible to equipment in a manner that prevents segregation of mix. Place each course to required grade, cross section, and thickness when compacted.
 - 1. Place Type "A" hot-mix asphalt base course in number of lifts (maximum 3-inch lift) and thicknesses required for a total thickness of 5".
 - 2. Place Type "B" hot-mix asphalt surface course in single lift (maximum lift height: 3-inches) for a total thickness of 3".
 - 3. Spread mix at minimum temperature of 250 deg F.
 - 4. Begin applying mix along centerline of crown for crowned sections and on high side of one-way slopes, unless otherwise indicated.
 - 5. Regulate paver machine speed to obtain smooth, continuous surface free of pulls and tears in asphalt-paving mat.

DIVISION 2 - SITE WORK

SECTION 02741 - HOT MIX ASPHALT PAVING (if applicable)

- B. Place paving in consecutive strips not less than 10 feet wide unless infill edge strips of a lesser width are required.
 - 1. After first strip has been placed and rolled, place succeeding strips and extend rolling to overlap previous strips. Complete a section of asphalt base course before placing asphalt surface course.
- C. Promptly correct surface irregularities in paving course behind paver. Use suitable hand tools to remove excess material forming high spots. Fill depressions with hot-mix asphalt to prevent segregation of mix; use suitable hand tools to smooth surface.

3.4 JOINTS

- A. Construct joints to ensure a continuous bond between adjoining paving sections. Construct joints free of depressions with same texture and smoothness as other sections of hot-mix asphalt course.
 - 1. Clean contact surfaces and apply tack coat to joints.
 - 2. Offset longitudinal joints, in successive courses, a minimum of 6 inches.
 - 3. Offset transverse joints, in successive courses, a minimum of 24 inches.
 - 4. Construct transverse joints as described in AI MS-22, "Construction of Hot Mix Asphalt Pavements."
 - 5. Compact joints as soon as hot-mix asphalt will bear roller weight without excessive displacement.
 - 6. Compact asphalt at joints to a density within 2 percent of specified course density.

3.5 COMPACTION

- A. General: Begin compaction as soon as placed hot-mix paving will bear roller weight without excessive displacement. Compact hot-mix paving with hot, hand tampers or vibratory-plate compactors in areas inaccessible to rollers.
 - 1. Asphalt material behind the laydown machine shall be a minimum of 250°F and complete compaction before mix temperature cools to below 180° F.
 - 2. Minimum surface temperatures for compacted lift thickness:
 - a. Less than 1-1/2 inch - minimum 50°F
 - b. 1-1/2 inch to 3 inches - minimum 45°F

DIVISION 2 - SITE WORK

SECTION 02741 - HOT MIX ASPHALT PAVING (if applicable)

3. Steel wheeled compactors shall weigh at least 10 tons (maximum speed 2.50mph)
 4. Pneumatic tired compactors (maximum speed 3mph) shall have at least seven pneumatic tires of equal size and diameter. They shall be constructed so that their total weights shall be varied to produce an operating weight of at least 3,500 pounds per tire.
 5. Use Pneumatic tired rollers on all lifts following the initial roller with a steel roller and before finishing with a steel wheel roller. A minimum of two coverages with the pneumatic tired roller is required on each lift.
 6. Compaction requirements shall be in accordance with the current ODOT standards.
- B. Breakdown Rolling: Complete breakdown or initial rolling immediately after rolling joints and outside edge. Examine surface immediately after breakdown rolling for indicated crown, grade, and smoothness. Correct laydown and rolling operations to comply with requirements.
- C. Intermediate Rolling: Begin intermediate rolling immediately after breakdown rolling while hot-mix asphalt is still hot enough to achieve specified density. Continue rolling until hot-mix asphalt course has been uniformly compacted to the following density:
1. Average Density: 96 percent of reference laboratory density according to AASHTO T 245, but not less than 94 percent nor greater than 100 percent.
 2. Average Density: 92 percent of reference maximum theoretical density according to ASTM D 2041, but not less than 90 percent nor greater than 96 percent.
- D. Finish Rolling: Finish roll paved surfaces to remove roller marks while hot-mix asphalt is still warm.
- E. Edge Shaping: While surface is being compacted and finished, trim edges of pavement to proper alignment. Bevel edges while asphalt is still hot; compact thoroughly.
- F. Repairs: Remove paved areas that are defective or contaminated with foreign materials and replace with fresh, hot-mix asphalt. Compact by rolling to specified density and surface smoothness.

DIVISION 2 - SITE WORK

SECTION 02741 - HOT MIX ASPHALT PAVING (if applicable)

- G. Protection: After final rolling, do not permit vehicular traffic on pavement until it has cooled and hardened.
- H. Erect barricades to protect paving from traffic until mixture has cooled enough not to become marked.

3.6 INSTALLATION TOLERANCES

- A. Thickness: Compact each course to produce the thickness indicated within the following tolerances:
 - 1. Base Course: Plus or minus 1/2 inch.
 - 2. Surface Course: Plus 1/4 inch, no minus.
- B. Surface Smoothness: Compact each course to produce a surface smoothness within the following tolerances as determined by using a 10-foot straightedge applied transversely or longitudinally to paved areas:
 - 1. Base Course: 1/4 inch.
 - 2. Surface Course: 1/8 inch.

3.7 FIELD QUALITY CONTROL

- A. Testing Agency: Contractor will engage a qualified independent testing and inspecting agency to perform field tests and inspections and to prepare test reports. Testing agency shall be certified in all ASTM and AASHTO test required for this project.
 - 1. Testing agency will conduct and interpret tests and state in each report whether tested Work complies with or deviates from specified requirements.
 - 2. Testing frequency as listed below:

| | |
|---|--|
| Asphalt Extraction and Gradation | 1,000 tons Asphalt Pavement |
| Roadway Density of Asphalt Mix | 4 Per 2,000 Tons Asphalt Pavement (not less than 1 per day of laydown) |
| Hveem Stability Test and Density of Molded Specimen | 1 Per 2,000 Tons Asphalt Pavement |
| Maximum Theoretical Specific Gravity of Asphalt Mix | 1 Per 2,000 Tons Asphalt Pavement |

DIVISION 2 - SITE WORK

SECTION 02741 - HOT MIX ASPHALT PAVING (if applicable)

- B. Additional testing and inspecting, at Contractor's expense, will be performed to determine compliance of replaced or additional work with specified requirements.
- C. Thickness: In-place compacted thickness of hot-mix asphalt courses will be determined according to ASTM D 3549.
- D. Surface Smoothness: Finished surface of each hot-mix asphalt course will be tested for compliance with smoothness tolerances.
 - 1. Tolerance: 1/8 inch in 10 feet
 - 2. All pavement will be subject to straightedge inspection during construction operations. The variation of the surface from the testing edge of the straightedge between any two contacts with the surface shall at no point exceed the tolerance listed above.
- E. In-Place Density: Testing agency will take samples of un-compacted paving mixtures and compacted pavement according to specifications.
 - 1. The target density of each lot shall be 94% of the Maximum Theoretical Specific Gravity at the job mix formula asphalt content determined by the most recent specific gravity of the bituminous paving mixture in accordance with AASHTO T209.
 - 2. The roadway density for each lot will be the average of tests of three separate specimens taken randomly within the limits of the area represented by the lot.
 - 3. Average lot density tolerance: 91% to 97% of Maximum Theoretical Density.
- F. Remove and replace hot-mix asphalt where test results or measurements indicate that it does not comply with specified requirements.
- G. Coring of pavement: If core drilling is determined necessary, the following will be followed:
 - 1. Minimum of three cores for each section of questionable pavement.
 - 2. Obtain 3-1/2 inch diameter cores.
 - 3. Obtain a length of 1.50 times the diameter.

DIVISION 2 - SITE WORK

SECTION 02741 - HOT MIX ASPHALT PAVING (if applicable)

4. Condition cores based on current version of ACI 318 and ASTM C 42.

3.8 DISPOSAL

- A. Except for material indicated to be recycled, excessive asphalt shall be removed from Project site and legally disposed of.

END OF SECTION

DIVISION 2 - SITE WORK

SECTION 02900 - TURF ESTABLISHMENT

Part 1 - GENERAL

1.01 Summary:

- A. This section generally describes the work, equipment, and materials required to furnish and landscape the site. The Contractor shall provide all necessary labor, equipment and materials to construct and complete site work landscaping. All work shall be completed in conformance with the recommendations of plant material suppliers.
- B. As a minimum, the Contractor must be able to provide the following materials and services:
 - 1. Supply and grade of fill material
 - 2. Environmentally approved control/elimination of weeds/grasses.

1.02 References:

- A. Drawings and general provisions of the Project Manual and Contract, including General and Supplementary Conditions and Division I Specification sections, apply to Work of this Section.

1.03 Submittals:

- A. Architect approval is required. The following shall be provided:
 - 1. Pesticide and Herbicide Treatment Plan, giving proposed sequence of pesticide and herbicide treatment work, before work is started. The pesticide and herbicide trade name, chemical composition, formulation, concentration, application rate of active ingredients and methods of application for all materials furnished, and the name and state license number of the state certified applicator shall be included.
 - 2. Certificates of compliance certifying that materials meet the requirements specified, prior to the delivery of materials. Reports for the following materials shall be included:
 - a. Fertilizer: For chemical analysis and composition percent.
 - b. Pesticide and Herbicide Material: For EPA registration number and registered uses.

1.04 Quality Assurance:

- A. All plant materials shall be guaranteed for one (1) year, following Architect's acceptance of the project.
- B. The Contractor shall maintain the project by weeding, watering, and other tasks as required, through final acceptance of the project by the Owner. Weeds, trimmings, etc. shall be removed from the site on the day work is performed and the area cleaned. Contractor shall immediately replace any and all defective

DIVISION 2 - SITE WORK

SECTION 02900 - TURF ESTABLISHMENT

components or dead or dying plant materials.

- C. The Architect shall inspect all planting materials upon delivery to the site and reserves the right to reject any or all materials which do not conform to the intent of this specification.

1.05 Delivery, Storage and Handling:

- A. Pesticide and herbicide materials shall be delivered to the site in the original unopened containers bearing legible labels indicating the Environmental Protection Agency (EPA) registration numbers and the registered uses.
- B. Sod not installed on the day of arrival at the site shall be stored and protected in areas designated by the Architect. Sod shall be protected from exposure to wind and shall be shaded from the sun. Covering that will allow air to circulate and prevent internal heat from building up shall be provided. All sod shall be kept in a moist condition by watering with a fine mist spray until planted.
- C. Soil amendments shall be stored in dry locations away from contaminants. Pesticide and herbicide materials shall not be stored with other landscape materials. Storage of materials shall be in areas designated or as approved by the Architect.
- D. Care shall be taken to avoid injury to sod. Materials shall not be dropped from vehicles.

Part 2 - Products

2.01 Materials:

- A. Plants:
 - 1. Turf grass shall be Bermuda sod. Sod shall be freshly cut (no more than 5 days). Water all areas to receive sod 1/4" less than 24 hours prior to installation of new sod. Sod all disturbed and exposed soil within the project limits as indicated on the Drawings.
 - 2. Substitutions will not be permitted without written request from the Contractor for approval by the Architect.
 - 3. Sod shall be grown under climatic conditions similar to those in the locality of the project.

2.02 Topsoil:

- A. Acceptable topsoil includes selectively excavated material that is representative of soils in the vicinity that produces growth of grass typical of the project area. Topsoil should be reasonably free from underlying subsoil, clay lumps, objectionable weeds, litter, brush, matted roots, toxic substances or any material that might be harmful to plant growth or be a hindrance to grading, planting, or maintenance operations. Topsoil shall not contain more than five percent

DIVISION 2 - SITE WORK

SECTION 02900 - TURF ESTABLISHMENT

by volume of stones, stumps or other objects larger than 3/4 inch in any dimension.

2.03 Fertilizer:

- A. The commercial grade of fertilizer shall be suitable for the locations and season approved by the Architect. The P-N-K content shall be determined on the basis of soil conditions and the plants involved.
- B. Prepackaged fertilizer delivered to the site shall be packaged in new, sealed, clean containers which bear a label fully describing the contents, the chemical analysis of each nutrient, the fertilizer grade, the net bulk, and the brand name and address of the manufacturer. Bulk fertilizer delivered to the site shall be accompanied with certification describing the contents, the chemical analysis of each nutrient, the fertilizer grade, the net bulk, and the brand name and address of the manufacturer. No fertilizer which becomes caked or otherwise damaged will be accepted.

2.04 Water:

- A. Water shall not contain elements toxic to plant life.
- B. The Contractor is responsible for ensuring that new lawns are adequately watered at all times.
- C. During prolonged periods of drought, watering guidelines established by local water district shall apply.

Part 3 - Execution

3.01 Examination:

- A. The Architect shall verify the finished grades are as indicated on drawings, and the placing of topsoil and smooth grading has been completed.
- B. The location of underground utilities and facilities shall be verified. Damage to underground utilities and facilities shall be repaired at the Contractor's expense.

3.02 Site Preparation:

- A. Prior to placing topsoil, the ground surface shall be cleared of all brush, snags, and rubbish.
- B. Previously constructed grades shall be repaired if necessary so that areas to be topsoiled conform to the final grades upon completion of topsoil placement.
- C. The topsoil shall be uniformly distributed on the designated areas and evenly spread to a minimum thickness of 6 inches. The spreading shall be performed in such a manner that planting can proceed with little additional soil preparation or tillage. The surface resulting from topsoiling shall meet the finish surface requirements as specified. Topsoil shall not be placed when the subgrade is frozen, excessively wet, extremely dry,

DIVISION 2 - SITE WORK

SECTION 02900 - TURF ESTABLISHMENT

or in a condition otherwise detrimental to proper grading or the proposed planting.

- D. All topsoiled areas covered by the project shall be uniformly smooth graded. The finished surface shall be reasonably smooth and free from irregular surface changes. The degree of finish shall be that ordinarily obtainable from either blade-grader or scraper operations. The finished surface shall be free of depressed areas where water would pond.

3.03 Application of Pesticide Material:

- A. When pesticide becomes necessary to remove a disease or pest, a state-certified applicator shall apply required pesticide in accordance with State EPA label restrictions and recommendations. Hydraulic equipment shall be provided for the liquid application of pesticides with a leak-proof tank, positive agitation methods, controlled application pressure and metering gauges. A pesticide treatment plan shall be provided to the Architect as specified in paragraph SUBMITTALS.

3.04 Restoration and Clean Up:

- A. Planting areas, pavements and facilities that have been damaged from the planting operation shall be restored to original condition at the Contractor's expense.
- B. Excess and waste material from the planting operation shall be removed and disposed of off the site. Adjacent paved areas shall be cleared.

End of Section

DIVISION 2 - SITE WORK

SECTION 02910 - TEMPORARY EROSION CONTROL

Part 1 - General

- 1.01 Work Included: The work under this section of the Specifications shall include all temporary erosion control measures including, but not necessarily limited to, rapid stabilization, rock entrance, silt fence, bale checks, bio rolls, and interim mulch as may be necessary to control soil erosion and sedimentation. The work shall include furnishing all materials, labor and equipment required for the construction and maintenance of erosion and sediment control devices as shown on the Drawings or as directed by the Architect. The work shall also include all inspections and reports as required by the storm water discharge permit for construction activities.
- 1.02 Reference Specifications:
- A. The erosion prevention requirements of the City of Moore shall be considered as a part of this Specification.
 - B. All testing required by the Jurisdiction Having Authority shall be performed by the independent testing laboratory retained by the Contractor. The costs of said testing shall be borne by the Contractor.
- 1.03 Stormwater Pollution Prevention - General Permit: if a Permit is required by the local Jurisdiction Having Authority, it shall be obtained from said authority and all fees and/or costs shall be paid by the Contractor.
- A. The Contractor will furnish a copy of the completed application package and General Permit to the Architect.
 - B. The back and side lot ditches shall be sodded immediately after they have been graded and top soil spread.

Part 2 - Products

- 2.01 Erosion Control Blankets: Erosion control blankets shall conform to applicable requirements.
- 2.02 Silt Fence: refer to the Drawings.
- A. The geotextile fabric shall be free of flaws such as tears or other defects. Any geotextile fabric which becomes damaged shall be replaced. The geotextile fabric shall meet or exceed the following requirements:

DIVISION 2 - SITE WORK

SECTION 02910 - TEMPORARY EROSION CONTROL

- | | |
|--|---------------------|
| 1. Grab Strength (ASTM D 4632) | 100 lbs. |
| 2. Apparent Opening Size (ASTM D 4751) | 20 - 70 sieve range |
| 3. Width | 36 inches |

Part 3 - Execution

3.01 General:

- A. Temporary erosion control measures such as erosion control blankets, bio rolls, rock entrance, and silt fences shall be coordinated with the site work and turf establishment. No site work will be permitted until ALL necessary temporary erosion control measures are completed and in place in order to prevent excessive soil erosion and subsequent siltation from entering wetlands, streams or storm sewers. The construction of erosion control measures shall not relieve the Contractor of the responsibility for preventing or minimizing the potential for erosion or siltation. The Contractor shall be responsible for all damages and clean up and the costs therefore, resulting from erosion of the soils and any siltation which may occur, regardless of the temporary erosion control measures taken.
- B. The alignment and location of erosion control measures shall be as show on the Drawings or as directed by the Architect. Minimum measures are shown on the Drawings. The Contractor shall incorporate further measures into the work as the Contractor's progress may dictate. Inspections of the temporary erosion control measures and reports thereof, shall be made by the Contractor in accordance with the storm water discharge permit for construction activities.
- C. Structural practices:
 - 1. Perimeter Ditches - Perimeter ditches will be installed to collect runoff from the disturbed area and direct runoff to the sedimentation basin.
- D. Rapid stabilization shall be used in the following areas as well as the areas shown on the Plans.
 - 1. Disturbed areas around culvert inlets and streams.
 - 2. Ditches draining from the construction sites.
 - 3. Disturbed slopes near storm drain inlets.

3.02 Timing of Controls/Measures: Any ditches and stabilized construction entrances shall be constructed prior to grading of any other portions of the site. Areas where construction

DIVISION 2 - SITE WORK

SECTION 02910 - TEMPORARY EROSION CONTROL

activity temporarily ceases for more than 21 days will be stabilized with a temporary seed and mulch within 14 days of the last disturbance. Once construction activity ceases permanently in an area, that area will be stabilized with permanent sod turf.

3.03 Removal of Temporary Erosion Control: Temporary erosion control devices shall remain in place until the permanent measures (turf establishment) have become established as determined by the Architect. All areas disturbed by the removal of temporary erosion control measures shall receive the same turf establishment as the areas adjacent thereto.

3.04 Installation Requirements:

- A. Bio Rolls shall be installed as required to reduce erosion.
- B. Silt Fence shall be constructed on 2 x 2 wood posts that are spaced no more than 6 feet and embedded no less than 2.0 feet. The geotextile fabric shall be secured to the upstream face of the posts. The geotextile fabric shall be embedded in an anchor trench along the upstream side of the silt fence. The anchor trench shall be 12 inches deep by 12 inches wide and shall extend the full length of the silt fence. The geotextile fabric shall line both sides and the bottom of the anchor trench. The anchor trench shall be backfilled with the excavated material, which shall be firmly compacted into place.
- C. Rate of slurry application shall be variable depending on surface roughness, slope configuration and degree of undulation but it is expected that 6 M gallons per acre. This rate is equivalent to applying Type 6 Hydraulic Soil Stabilizer at 2100 pounds per acre. Amount of material applied shall be such to obtain 100% soil surface coverage. In inaccessible areas, the mix may be pumped through a hose. To obtain coverage, two (2) passes may be necessary. In inaccessible areas, the mix may be pumped through a hose.

3.05 Maintenance:

- A. It shall be the Contractor's responsibility to maintain all erosion control measures and to inspect same after each rainfall event. All displaced bio rolls shall be replaced and silt fences shall be repaired where sagging or otherwise damaged. The Contractor shall review the temporary erosion control measures and make revisions as necessary in order to minimize damage due to future rainfalls. All costs of temporary erosion control shall be considered incidental and the responsibility of the Contractor.
- B. The rock entrances may need occasional maintenance to prevent the tracking of mud onto paved roads. This may

DIVISION 2 - SITE WORK

SECTION 02910 - TEMPORARY EROSION CONTROL

require periodic top-dressing with additional rock or removal and reinstallation of the entrances. The cost of maintenance of rock entrances shall be the responsibility of the Contractor.

3.06 Waste Disposal:

A. Waste Materials: All waste materials will be disposed of as described in the "Construction Storm Water Pollution Prevention Plan".

3.07 Offset Vehicle Tracking: One (1) stabilized construction entrances shall be constructed to help reduce vehicle tracking of sediments. The paved parking lot adjacent to the site entrance shall be swept as needed to remove any excess mud, dirt or rock tracked from the site. Dump trucks hauling material from the construction site shall be covered with a tarp.

3.08 Maintenance/Inspection Procedures:

A. Erosion and Sediment Control Inspection and Maintenance Practices:

1. All control measures will be inspected at least once each week and following any storm event of 0.5 inches or greater.
2. All measures will be maintained in good working order; if a repair is necessary, it will be initiated within 24 hours of report.
3. Build up sediment will be removed from silt fence when it has reached one-third the height of the fence.
4. Silt fence will be inspected for depth of sediment, tears, to see if the fabric is securely attached to the fence posts, and to see that the fence posts are firmly in the ground.
5. Ditches will be inspected and any erosion promptly repaired.

B. Non-Storm Water Discharges: All non-storm water discharges will be directed to a location selected by the Contractor and approved by the Architect. It is expected that the following non-storm water discharges will occur from the site during the construction period:

1. Water from water line flushing.
2. Pavement wash waters (where no spills or leaks of toxic or hazardous materials have occurred).
3. Uncontaminated groundwater (from dewatering excavation).

3.09 Spill Prevention:

A. Material Management Practices.

The following good housekeeping practices shall be followed onsite during the construction project.

1. Good Housekeeping:

DIVISION 2 - SITE WORK

SECTION 02910 - TEMPORARY EROSION CONTROL

The following good housekeeping practices shall be followed onsite during the construction project:

- a. An effort shall be made to store only enough product required to do the job.
 - b. All materials stored onsite shall be stored in a neat, orderly manner in their appropriate containers and, if possible, under a roof or other enclosure.
 - c. Products shall be kept in their original containers with the original manufacture's label.
 - d. Substances shall not be mixed with one another unless recommended by the manufacturer.
 - e. Whenever possible, all of a product shall be used up before disposing of the container.
 - f. Manufacturers' recommendations for proper use and disposal shall be followed.
 - g. The site superintendent shall inspect daily to ensure proper use and disposal of materials onsite.
2. Hazardous Products: These practices are used to reduce the risks associated with hazardous materials.
- a. Products shall be kept in original containers unless they are not re-sealable.
 - b. Original labels and material safety data shall be retained; they contain important product information.
 - c. If surplus product must be disposed of, manufactures' or Local and State recommended methods for proper disposal shall be followed.
- B. Product Specific Practices: The following project specific practices shall be followed onsite:
1. Petroleum Products:
All onsite vehicles shall be monitored for leaks and receive regular preventative maintenance to reduce the change of leakage. Petroleum products shall be stored in tightly sealed containers which are clearly labeled. Any asphalt substances used onsite shall be applied according to the manufacturer's recommendations.
 2. Fertilizers:
Fertilizers used shall be applied only in the minimum amounts recommended by the manufacturer. Once applied, fertilizer shall be worked into the soil to limit exposure to storm water. Storage shall be in a covered shed. The contents of any partially used

DIVISION 2 - SITE WORK

SECTION 02910 - TEMPORARY EROSION CONTROL

bags of fertilizer shall be transferred to a sealable plastic bin to avoid spills.

3. Paints:

All containers shall be tightly sealed and stored when not required for use. Excess paint shall not be discharged to the storm sewer system but shall be properly disposed of according to manufactures' instructions or State and Local regulations.

4. Concrete Trucks:

Concrete trucks shall not be allowed to wash out or discharge surplus concrete or drum wash water on the site.

C. Spill Control Practices:

In addition to the good housekeeping and material management practices discussed in the previous sections of this plan, the following practices shall be followed for spill prevention and cleanup:

1. Manufacturer's recommended methods for spill cleanup shall be clearly posted and site personnel will be made aware of the procedures and the location of the information and cleanup supplies.
2. Materials and equipment necessary for spill cleanup shall be kept in the material storage area onsite. Equipment and materials shall include but not be limited to brooms, dust pans, mops, rags, gloves, goggles, kitty litter, sand, sawdust, and plastic and metal trash containers specifically for this purpose.
3. All spills shall be cleaned up immediately after discovery.
4. The spill area shall be kept well ventilated and personnel shall wear appropriate protective clothing to prevent injury from contact with a hazardous substance.
5. Spills of toxic or hazardous material shall be reported to the appropriate State or Local government agency, regardless of the size.
6. The spill prevention plan shall be adjusted to include measures to prevent this type of spill from reoccurring and how to clean up the spill if there is another one. A description of the spill, what caused it, and the cleanup measures shall also be included.

End of Section

DIVISION 2 - SITE WORK

SECTION 02920 - LANDSCAPE GRADING

Part 1 -General

1.01 Summary:

- A. This section describes the labor, materials and installation requirements necessary to complete the fine grading, incidental grading, and related items as indicated or specified.

1.02 Site Conditions:

- A. Protect landscaping and other features remaining as final work.
- B. Protect any existing structures, roads, sidewalks, paving and curbs, or other features pertinent to the site in this project.

Part 2 - Products NOT USED

Part 3 - Execution

3.01 Examination:

- A. The areas to be graded will be free of waste or debris developed by other trades.
- B. Contractor shall field verify all dimensions and/or layout prior to starting work.

3.02 Preparation:

- A. Prepare site by applying Round Up, or approved equal, as per label directions to weed growth on site.
 - 1. Scarify planting areas to a minimum depth of six (6) inches and thoroughly water to settle all soil.

3.03 Grading:

- A. Contractor shall grade all planting areas, swales or other areas as noted on drawings.
 - 1. Contractor shall provide incidental grading of all areas adjacent to curbs and sidewalks. Provide a finish grade one (1") inch below curbs or sidewalks.
 - 2. Contractor shall fine grade turf areas, eliminating rough or low areas to ensure positive drainage.
 - 3. Any other areas not covered specifically above shall be graded to leave a generally smooth appearance conforming to standard landscape practices defined as: The final surface shall be raked; all objectionable materials, trash, brush, weeds, and stones larger than one inch shall be removed from the site and disposed of properly off base.
 - 4. When sod is being installed, the appropriate sub-grade shall be graded prior to the installation of such materials. See applicable specifications, in any, for additional requirements.

End of Section

DIVISION 3 - CONCRETE

SECTION 03300 - CAST-IN-PLACE CONCRETE

Part 1 - General

1.01 Related Documents

- A. Drawings and general provisions of the Contract, including General and Supplementary Conditions and Division 1 Specification Sections, apply to this Section.

1.02 Summary

- A. This Section specifies cast-in place concrete, including formwork, reinforcement, concrete materials, mixture design, placement procedures, and finishes, for the following:
 - 1. Grade beams.
 - 2. Concrete walls.
 - 3. Slabs-on-grade.
 - 4. Concrete slab-on-deck.
- B. Related Sections include the following:
 - 1. Division 2 Section "Portland Cement Concrete Paving" for concrete pavement and walks.
 - 2. Division 2 Section "Drilled Piers" for drilled pier installation.
 - 3. Division 7 Section "Vapor Barriers" for under slab construction.

1.03 Definitions

- A. Cementitious Materials: Portland cement alone or in combination with one or more of the following: fly ash and other pozzolans, ground granulated blast-furnace slag, and silica fume; subject to compliance with requirements.

1.04 Submittals

- A. Product Data: For each type of product indicated.
- B. Design Mixtures: For each concrete mixture. Submit alternate design mixtures when characteristics of materials, Project conditions, weather, test results, or other circumstances warrant adjustments.
 - 1. Indicate amounts of mixing water to be withheld for later addition at Project site.
- C. Steel Reinforcement Shop Drawings: Placing drawings that detail fabrication, bending, and placement. Include bar sizes, lengths, material, grade, bar schedules, stirrup spacing, bent bar diagrams, bar arrangement, splices and laps, mechanical connections, tie spacing, hoop spacing, and supports for concrete reinforcement.
- D. Samples: For waterstops, vapor retarder
- E. Material Test Reports: For the following, from a qualified testing agency, indicating compliance with requirements:

DIVISION 3 - CONCRETE

SECTION 03300 - CAST-IN-PLACE CONCRETE

1. Aggregates. Include service record data indicating absence of deleterious expansion of concrete due to alkali aggregate reactivity.
 - F. Material Certificates: For each of the following, signed by manufacturers:
 1. Cementitious materials.
 2. Admixtures.
 3. Form materials and form-release agents.
 - G. Field quality-control test and inspection reports.
- 1.05 Quality Assurance
- A. Installer Qualifications: A qualified installer who employs on Project personnel qualified as ACI-certified Flatwork Technician and Finisher and a supervisor who is an ACI-certified Concrete Flatwork Technician.
 - B. Manufacturer Qualifications: A firm experienced in manufacturing ready-mixed concrete products and that complies with ASTM C 94/C 94M requirements for production facilities and equipment.
 1. Manufacturer certified according to NRMCA's "Certification of Ready Mixed Concrete Production Facilities."
 - C. Testing Agency Qualifications: An independent agency qualified according to ASTM C 1077 and ASTM E 329 for testing indicated, as documented according to ASTM E 548.
 1. Personnel conducting field tests shall be qualified as ACI Concrete Field Testing Technician, Grade 1, according to ACI CP-01 or an equivalent certification program.
 2. Personnel performing laboratory tests shall be ACI-certified Concrete Strength Testing Technician and Concrete Laboratory Testing Technician - Grade I. Testing Agency laboratory supervisor shall be an ACI-certified Concrete Laboratory Testing Technician - Grade II.
 - D. Source Limitations: Obtain each type or class of cementitious material of the same brand from the same manufacturer's plant, obtain aggregate from one source, and obtain admixtures through one source from a single manufacturer.
 - E. Welding: Qualify procedures and personnel according to AWS D1.4, "Structural Welding Code--Reinforcing Steel."
 - F. ACI Publications: Comply with the following unless modified by requirements in the Contract Documents:
 1. ACI 301, "Specification for Structural Concrete," Sections 1 through 5 and Section 7, "Lightweight Concrete."

DIVISION 3 - CONCRETE

SECTION 03300 - CAST-IN-PLACE CONCRETE

2. ACI 117, "Specifications for Tolerances for Concrete Construction and Materials."
 - G. Concrete Testing Service: Engage a qualified independent testing agency to perform material evaluation tests and to design concrete mixtures.
- 1.06 Delivery, Storage, And Handling
- A. Steel Reinforcement: Deliver, store, and handle steel reinforcement to prevent bending and damage.
 - B. Waterstops: Store waterstops under cover to protect from moisture, sunlight, dirt, oil, and other contaminants.

Part 2 - PRODUCTS

2.01 Form-Facing Materials

- A. Smooth-Formed Finished Concrete: Form-facing panels that will provide continuous, true, and smooth concrete surfaces. Furnish in largest practicable sizes to minimize number of joints.
 1. Exterior-grade plywood panels, suitable for concrete forms, complying with DOC PS 1, with options as follows:
 - a. High-density overlay, Class 1 or better.
 - b. Medium-density overlay, Class 1 or better; mill-release agent treated and edge sealed.
- B. Rough-Formed Finished Concrete: Plywood, lumber, metal, or another approved material. Provide lumber dressed on at least two edges and one side for tight fit.
- C. Forms for Cylindrical Columns, Pedestals, and Supports: Metal, glass-fiber-reinforced plastic, paper, or fiber tubes that will produce surfaces with gradual or abrupt irregularities not exceeding specified formwork surface class. Provide units with sufficient wall thickness to resist plastic concrete loads without detrimental deformation.
- D. Chamfer Strips: Wood, metal, PVC, or rubber strips, 3/4 by 3/4 inch (19 by 19 mm), minimum.
- E. Form-Release Agent: Commercially formulated form-release agent that will not bond with, stain, or adversely affect concrete surfaces and will not impair subsequent treatments of concrete surfaces.
 1. Formulate form-release agent with rust inhibitor for steel form-facing materials.
- F. Form Ties: Factory-fabricated, removable or snap-off metal or glass-fiber-reinforced plastic form ties designed to resist lateral pressure of fresh concrete on forms and to prevent spalling of concrete on removal.

DIVISION 3 - CONCRETE

SECTION 03300 - CAST-IN-PLACE CONCRETE

2.02 Prefabricated Void Forms

- A. Function: Used to create void space directly under all grade beams and pier caps.
- B. Composition: Corrugated paper material with a moisture resistant exterior, and having an interior fabrication of a uniform, cellular configuration, composed of moderate moisture response components.
- C. Depth: 4 inches
- D. Profile: Rectangular shape in cross section.
- E. Position: Between form panels.
- F. Strength: Capable of sustaining an average working load for grade beam and pier cap height of 2.5 feet based on manufacturer's recommendations.
- G. Accessories:
 - 1. Drilled Pier Forms: Install to form and contain the upper portion of concrete piers.
 - 2. End Void Form: Install to create void space around the upper portion of drilled piers at the intersection with grade beams.
 - 3. Seam Pads: Install over all void form joints to prevent moisture and concrete from flowing in between and into the void form interior.
 - 4. End Caps: Install to cover exposed ends of void forms to prevent moisture and concrete from flowing into void form interior.
 - 5. Backfill Retainer (impact-resistant, polyethylene (CPPP) plastic): Provide ½" thick x 16" high x 96" long sections designed to be vertically positioned and to prevent the migration of backfill material into the voided area. Retainer shall extend at least 6" above the top and 4" below the base of the void form.
- H. Acceptable Products / Manufacturer (or approved equal): WallVoid®, FormVoid™, Column Wrap™, ArcVoid®, Seam Pads, End Caps, Backfill Retainer™, and SureCover Board™ as manufactured by SureVoid Products, Inc., Englewood, CO (800) 458-5444 or Fort Worth, TX (888) 803-VOID

2.03 Steel Reinforcement

- A. Reinforcing Bars: ASTM A 615/A 615M, Grade 60 (Grade 420), deformed.
- B. Plain-Steel Wire: ASTM A 82, as drawn.
- C. Deformed-Steel Wire: ASTM A 496.
- D. Plain-Steel Welded Wire Reinforcement: ASTM A 185, plain, fabricated from as-drawn steel wire into flat sheets.
- E. Deformed-Steel Welded Wire Reinforcement: ASTM A 497, flat sheet.

DIVISION 3 - CONCRETE

SECTION 03300 - CAST-IN-PLACE CONCRETE

2.04 Reinforcement Accessories

- A. Bar Supports: Bolsters, chairs, spacers, and other devices for spacing, supporting, and fastening reinforcing bars and welded wire reinforcement in place. Manufacture bar supports from steel wire, plastic, or precast concrete according to CRSI's "Manual of Standard Practice," of greater compressive strength than concrete and as follows:
 - 1. For concrete surfaces exposed to view where legs of wire bar supports contact forms, use CRSI Class 1 plastic-protected steel wire or CRSI Class 2 stainless-steel bar supports.

2.05 Concrete Materials

- A. Cementitious Material: Use the following cementitious materials, of the same type, brand, and source, throughout Project:
 - 1. Portland Cement: ASTM C 150, Type I.
 - 2. Fly Ash: ASTM C 618, Class C or F.
- B. Normal-Weight Aggregates: ASTM C 33, Class 3M coarse aggregate or better, graded. Provide aggregates from a single source.
 - 1. Maximum Coarse-Aggregate Size:
 - a. Foundations and walls: 1-1/2 inches (38 mm) nominal.
 - b. Slab-on-grade and slab-on-deck: 1 inches (25 mm) nominal.
 - 2. Fine Aggregate: Free of materials with deleterious reactivity to alkali in cement.
- C. Lightweight Aggregate: ASTM C 330, 1-inch (25-mm) nominal maximum aggregate size.
- D. Water: ASTM C 94/C 94M and potable.

2.06 Admixtures

- A. Air-Entraining Admixture: ASTM C 260.
- B. Chemical Admixtures: Provide admixtures certified by manufacturer to be compatible with other admixtures and that will not contribute water-soluble chloride ions exceeding those permitted in hardened concrete. Do not use calcium chloride or admixtures containing calcium chloride.
 - 1. Water-Reducing Admixture: ASTM C 494/C 494M, Type A.
 - 2. Retarding Admixture: ASTM C 494/C 494M, Type B.
 - 3. Water-Reducing and Retarding Admixture: ASTM C 494/C 494M, Type D.
 - 4. High-Range, Water-Reducing Admixture: ASTM C 494/C 494M, Type F.
 - 5. High-Range, Water-Reducing and Retarding Admixture: ASTM C 494/C 494M, Type G.

DIVISION 3 - CONCRETE

SECTION 03300 - CAST-IN-PLACE CONCRETE

6. Plasticizing and Retarding Admixture:
ASTM C 1017/C 1017M, Type II.

2.07 Waterstops

- A. Self-Expanding Butyl Strip Waterstops: Manufactured rectangular or trapezoidal strip, butyl rubber with sodium bentonite or other hydrophilic polymers, for adhesive bonding to concrete, 3/4 by 1 inch (19 by 25 mm).

1. Available Products:

- a. Colloid Environmental Technologies Company; Volclay Waterstop-RX.
- b. Concrete Sealants Inc.; Conseal CS-231.
- c. Greenstreak; Swellstop.
- d. Henry Company, Sealants Division; Hydro-Flex.
- e. JP Specialties, Inc.; Earth Shield Type 20.
- f. Progress Unlimited, Inc.; Superstop.
- g. TCMiraDRI, Mirastop.

2.08 Liquid Floor Treatments

- A. Penetrating Liquid Floor Treatment: Clear, chemically reactive, waterborne solution of inorganic silicate or silicate materials and proprietary components; odorless; that penetrates, hardens, and densifies concrete surfaces.

1. Products: Subject to compliance with requirements, available products that may be incorporated into the Work include, but are not limited to, the following:

- a. ChemMasters; Chemisil Plus.
- b. ChemTec Int'l; ChemTec One.
- c. Conspec by Dayton Superior; Intraseal.
- d. Curecrete Distribution Inc.; Ashford Formula.
- e. Dayton Superior Corporation; Day-Chem Sure Hard (J-17).
- f. Edoco by Dayton Superior; Titan Hard.
- g. Euclid Chemical Company (The), an RPM company; Euco Diamond Hard.
- h. Kaufman Products, Inc.; SureHard.
- i. L&M Construction Chemicals, Inc.; Seal Hard.
- j. Meadows, W. R., Inc.; LIQUI-HARD.
- k. Metalcrete Industries; Floorsaver.
- l. Nox-Crete Products Group; Duro-Nox.
- m. Symons by Dayton Superior; Buff Hard.
- n. US SPEC, Division of US Mix Products Company; US SPEC Industraseal.
- o. Vexcon Chemicals, Inc.; Vexcon StarSeal PS Clear.

2.09 Curing Materials

- A. Evaporation Retarder: Waterborne, monomolecular film forming, manufactured for application to fresh concrete. Note that this product is not a curing agent.

DIVISION 3 - CONCRETE

SECTION 03300 - CAST-IN-PLACE CONCRETE

1. Available Products:
 - a. ChemMasters; Spray-Film.
 - b. Conspec Marketing & Manufacturing Co., Inc., a Dayton Superior Company; Aquafilm.
 - c. Dayton Superior Corporation; Sure Film.
 - d. Euclid Chemical Company (The); Eucobar.
 - e. L&M Construction Chemicals, Inc.; E-Con.
 - f. Meadows, W. R., Inc.; Sealtight Evapre.
 - g. Sika Corporation, Inc.; SikaFilm.
 - B. Absorptive Cover: AASHTO M 182, Class 2, burlap cloth made from jute or kenaf, weighing approximately 9 oz./sq. yd. (305 g/sq. m) when dry.
 - C. Moisture-Retaining Cover: ASTM C 171, polyethylene film or white burlap-polyethylene sheet.
 - D. Water: Potable.
- 2.10 Related Materials
- A. Expansion- and Isolation-Joint-Filler Strips: ASTM D 1751, asphalt-saturated cellulosic fiber.
 - B. Semirigid Joint Filler: Two-component, semirigid, 100 percent solids, epoxy resin with a Type A shore durometer hardness of 80 per ASTM D 2240.
 - C. Bonding Agent: ASTM C 1059, Type II, non-redispersible, acrylic emulsion or styrene butadiene.
 - D. Epoxy Bonding Adhesive: ASTM C 881, two-component epoxy resin, capable of humid curing and bonding to damp surfaces, of class suitable for application temperature and of grade to suit requirements, and as follows:
 1. Types IV and V, load bearing, for bonding hardened or freshly mixed concrete to hardened concrete.
- 2.11 Repair Materials
- A. Repair Underlayment: Cement-based, polymer-modified, self-leveling product that can be applied in thicknesses from 1/8 inch (3.2 mm) and that can be feathered at edges to match adjacent floor elevations.
 1. Cement Binder: ASTM C 150, portland cement or hydraulic or blended hydraulic cement as defined in ASTM C 219.
 2. Primer: Product of underlayment manufacturer recommended for substrate, conditions, and application.
 3. Aggregate: Well-graded, washed gravel, 1/8 to 1/4 inch (3.2 to 6 mm) or coarse sand as recommended by underlayment manufacturer.
 4. Compressive Strength: Not less than 4100 psi (29 MPa) at 28 days when tested according to ASTM C 109/C 109M.

DIVISION 3 - CONCRETE

SECTION 03300 - CAST-IN-PLACE CONCRETE

- B. Repair Overlayment: Cement-based, polymer-modified, self-leveling product that can be applied in thicknesses from 1/8 inch (3.2 mm) and that can be feathered at edges to match adjacent floor elevations.
 - 1. Cement Binder: ASTM C 150, portland cement or hydraulic or blended hydraulic cement as defined in ASTM C 219.
 - 2. Primer: Product of topping manufacturer recommended for substrate, conditions, and application.
 - 3. Aggregate: Well-graded, washed gravel, 1/8 to 1/4 inch (3.2 to 6 mm) or coarse sand as recommended by topping manufacturer.
 - 4. Compressive Strength: Not less than 5000 psi (34.5 MPa) at 28 days when tested according to ASTM C 109/C 109M.

2.12 Concrete Mixtures, General

- A. Prepare design mixtures for each type and strength of concrete, proportioned on the basis of laboratory trial mixture or field test data, or both, according to ACI 301.
 - 1. Use a qualified independent testing agency for preparing and reporting proposed mixture designs based on laboratory trial mixtures.
- B. Cementitious Materials: Limit percentage, by weight, of cementitious materials other than portland cement in concrete as follows:
 - 1. Fly Ash: 25 percent.
- C. Limit water-soluble, chloride-ion content in hardened concrete to 0.30 percent by weight of cement.
- D. Admixtures: Use admixtures according to manufacturer's written instructions.
 - 1. Use water-reducing high-range water-reducing or plasticizing admixture in concrete, as required, for placement and workability.
 - 2. Use water-reducing and retarding admixture when required by high temperatures, low humidity, or other adverse placement conditions.
 - 3. Use water-reducing admixture in pumped concrete and concrete with a water-cementitious materials ratio below 0.50.

2.13 Concrete Mixtures For Building Elements

- A. Grade Beams: Proportion normal-weight concrete mixture as follows:
 - 1. Minimum Compressive Strength: 3000 psi at 28 days.
 - 2. Maximum Water-Cementitious Materials Ratio: 0.50.
 - 3. Slump Limit: 4 inches (100 mm) or 8 inches (200 mm) for concrete with verified slump of 2 to 4 inches (50

DIVISION 3 - CONCRETE

SECTION 03300 - CAST-IN-PLACE CONCRETE

- to 100 mm) before adding high-range water-reducing admixture or plasticizing admixture, plus or minus 1 inch (25 mm).
4. Air Content: 5-1/2 percent, plus or minus 1.5 percent at point of delivery for 1-1/2-inch (38-mm) nominal maximum aggregate size.
- B. Concrete Walls: Proportion normal-weight concrete mixture as follows:
1. Minimum Compressive Strength: 4000 psi at 28 days.
 2. Maximum Water-Cementitious Materials Ratio: 0.50.
 3. Slump Limit: 4 inches (100 mm) or 8 inches (200 mm) for concrete with verified slump of 2 to 4 inches (50 to 100 mm) before adding high-range water-reducing admixture or plasticizing admixture, plus or minus 1 inch (25 mm).
 4. Air Content: 5-1/2 percent, plus or minus 1.5 percent at point of delivery for 1-1/2-inch (38-mm) nominal maximum aggregate size.
- C. Slabs-on-Grade and Slabs on Metal Deck: Proportion normal-weight concrete mixture as follows:
1. Minimum Compressive Strength: 4000 psi (27.6 MPa) at 28 days.
 2. Maximum Water-Cementitious Materials Ratio: 0.45.
 3. Slump Limit: 5 inches (125 mm), plus or minus 1 inch (25 mm).
 4. Air Content: Do not allow air content of trowel-finished floors to exceed 3 percent.
- 2.14 Fabricating Reinforcement
- A. Fabricate steel reinforcement according to CRSI's "Manual of Standard Practice."
- 2.15 Concrete Mixing
- A. Ready-Mixed Concrete: Measure, batch, mix, and deliver concrete according to ASTM C 94/C 94M, and furnish batch ticket information.
 1. When air temperature is between 85 and 90 deg F (30 and 32 deg C), reduce mixing and delivery time from 1-1/2 hours to 75 minutes; when air temperature is above 90 deg F (32 deg C), reduce mixing and delivery time to 60 minutes.

Part 3 - EXECUTION

3.01 Formwork

- A. Design, erect, shore, brace, and maintain formwork, according to ACI 301, to support vertical, lateral, static,

DIVISION 3 - CONCRETE

SECTION 03300 - CAST-IN-PLACE CONCRETE

- and dynamic loads, and construction loads that might be applied, until structure can support such loads.
- B. Construct formwork so concrete members and structures are of size, shape, alignment, elevation, and position indicated, within tolerance limits of ACI 117.
 - C. Limit concrete surface irregularities, designated by ACI 347R as abrupt or gradual, as follows:
 - 1. Class A, 1/8 inch (3.2 mm) for smooth-formed finished surfaces.
 - 2. Class C, 1/2 inch (13 mm) for rough-formed finished surfaces.
 - D. Construct forms tight enough to prevent loss of concrete mortar.
 - E. Fabricate forms for easy removal without hammering or prying against concrete surfaces. Provide crush or wrecking plates where stripping may damage cast concrete surfaces. Provide top forms for inclined surfaces steeper than 1.5 horizontal to 1 vertical.
 - 1. Install keyways, reglets, recesses, and the like, for easy removal.
 - 2. Do not use rust-stained steel form-facing material.
 - F. Set edge forms, bulkheads, and intermediate screed strips for slabs to achieve required elevations and slopes in finished concrete surfaces. Provide and secure units to support screed strips; use strike-off templates or compacting-type screeds.
 - G. Provide temporary openings for cleanouts and inspection ports where interior area of formwork is inaccessible. Close openings with panels tightly fitted to forms and securely braced to prevent loss of concrete mortar. Locate temporary openings in forms at inconspicuous locations.
 - H. Chamfer exterior corners and edges of permanently exposed concrete.
 - I. Form openings, chases, offsets, sinkages, keyways, reglets, blocking, screeds, and bulkheads required in the Work. Determine sizes and locations from trades providing such items.
 - J. Clean forms and adjacent surfaces to receive concrete. Remove chips, wood, sawdust, dirt, and other debris just before placing concrete.
 - K. Retighten forms and bracing before placing concrete, as required, to prevent mortar leaks and maintain proper alignment.
 - L. Coat contact surfaces of forms with form-release agent, according to manufacturer's written instructions, before placing reinforcement.

DIVISION 3 - CONCRETE

SECTION 03300 - CAST-IN-PLACE CONCRETE

3.02 Embedded Items

- A. Place and secure anchorage devices and other embedded items required for adjoining work that is attached to or supported by cast-in-place concrete. Use setting drawings, templates, diagrams, instructions, and directions furnished with items to be embedded.
 - 1. Install anchor rods, accurately located, to elevations required and complying with tolerances in Section 7.5 of AISC's "Code of Standard Practice for Steel Buildings and Bridges."
 - 2. Install steel reinforcing bar dowels to match vertical reinforcing bars in Concrete Masonry Units.

3.03 Removing And Reusing Forms

- A. General: Formwork for sides of beams, walls, columns, and similar parts of the Work that does not support weight of concrete may be removed after cumulatively curing at not less than 50 deg F (10 deg C) for 24 hours after placing concrete, if concrete is hard enough to not be damaged by form-removal operations and curing and protection operations are maintained.
- B. Clean and repair surfaces of forms to be reused in the Work. Split, frayed, delaminated, or otherwise damaged form-facing material will not be acceptable for exposed surfaces. Apply new form-release agent.
- C. When forms are reused, clean surfaces, remove fins and laitance, and tighten to close joints. Align and secure joints to avoid offsets. Do not use patched forms for exposed concrete surfaces unless approved by Architect.

3.04 Vapor Barriers

- A. Sheet Vapor Barriers: Place, protect, and repair sheet vapor barrier according to ASTM E 1643 and manufacturer's written instructions.
 - 1. Lap joints 6 inches (150 mm) and seal with manufacturer's recommended tape.

3.05 Steel Reinforcement

- A. General: Comply with CRSI's "Manual of Standard Practice" for placing reinforcement.
- B. Clean reinforcement of loose rust and mill scale, earth, ice, and other foreign materials that would reduce bond to concrete.
- C. Accurately position, support, and secure reinforcement against displacement. Locate and support reinforcement with bar supports to maintain minimum concrete cover. Do not tack weld crossing reinforcing bars.
- D. Set wire ties with ends directed into concrete, not toward exposed concrete surfaces.

DIVISION 3 - CONCRETE

SECTION 03300 - CAST-IN-PLACE CONCRETE

- E. Install welded wire reinforcement in longest practicable lengths on bar supports spaced to minimize sagging. Lap edges and ends of adjoining sheets at least one mesh spacing. Offset laps of adjoining sheet widths to prevent continuous laps in either direction. Lace overlaps with wire.

3.06 Joints

- A. General: Construct joints true to line with faces perpendicular to surface plane of concrete.
- B. Construction Joints: Install so strength and appearance of concrete are not impaired, at locations indicated or as approved by Architect.
 - 1. Place joints perpendicular to main reinforcement. Continue reinforcement across construction joints, unless otherwise indicated. Do not continue reinforcement through sides of strip placements of floors and slabs.
 - 2. Form keyed joints as indicated. Embed keys at least 1-1/2 inches (38 mm) into concrete.
 - 3. Locate horizontal joints in walls and columns at underside of floors, slabs, beams, and girders and at the top of footings or floor slabs.
 - 4. Use epoxy-bonding adhesive at locations where fresh concrete is placed against hardened or partially hardened concrete surfaces.
- C. Contraction Joints in Slabs-on-Grade: Form weakened-plane contraction joints, sectioning concrete into areas as indicated. Construct contraction joints for a depth equal to at least one-fourth of concrete thickness as follows:
 - 1. Sawed Joints: Form contraction joints with early-entry dry-cut power saws equipped with shatterproof abrasive or diamond-rimmed blades. Cut 1/8-inch- (3.2-mm-) wide joints into concrete when cutting action will not tear, abrade, or otherwise damage surface and before concrete develops random contraction cracks.
- D. Isolation Joints in Slabs-on-Grade: After removing formwork, install 30# felt at slab junctions with vertical surfaces, such as column pedestals, foundation walls, grade beams, and other locations, as indicated.
 - 1. Extend 30# felt full width and depth of joint, terminating flush with finished concrete surface, unless otherwise indicated.

3.07 Waterstops

- A. Self-Expanding Strip Waterstops: Install in construction joints and at other locations indicated, according to

DIVISION 3 - CONCRETE

SECTION 03300 - CAST-IN-PLACE CONCRETE

manufacturer's written instructions, adhesive bonding, mechanically fastening, and firmly pressing into place. Install in longest lengths practicable.

3.08 Concrete Placement

- A. Before placing concrete, verify that installation of formwork, reinforcement, and embedded items is complete and that required inspections have been performed.
- B. Do not add water to concrete during delivery, at Project site, or during placement unless approved by Architect.
 - 1. Do not add water to concrete after adding high-range water-reducing admixtures to mixture.
- C. Deposit concrete continuously in one layer or in horizontal layers of such thickness that no new concrete will be placed on concrete that has hardened enough to cause seams or planes of weakness. If a section cannot be placed continuously, provide construction joints as indicated. Deposit concrete to avoid segregation.
 - 1. Deposit concrete in horizontal layers of depth to not exceed formwork design pressures and in a manner to avoid inclined construction joints.
 - 2. Consolidate placed concrete with mechanical vibrating equipment according to ACI 301.
 - 3. Do not use vibrators to transport concrete inside forms. Insert and withdraw vibrators vertically at uniformly spaced locations to rapidly penetrate placed layer and at least 6 inches (150 mm) into preceding layer. Do not insert vibrators into lower layers of concrete that have begun to lose plasticity. At each insertion, limit duration of vibration to time necessary to consolidate concrete and complete embedment of reinforcement and other embedded items without causing mixture constituents to segregate.
- D. Deposit and consolidate concrete for floors and slabs in a continuous operation, within limits of construction joints, until placement of a panel or section is complete.
 - 1. Consolidate concrete during placement operations so concrete is thoroughly worked around reinforcement and other embedded items and into corners.
 - 2. Maintain reinforcement in position on chairs during concrete placement.
 - 3. Screed slab surfaces with a straightedge and strike off to correct elevations.
 - 4. Slope surfaces uniformly to drains where required.
 - 5. Begin initial floating using bull floats or darbies to form a uniform and open-textured surface plane, before excess bleedwater appears on the surface. Do not

DIVISION 3 - CONCRETE

SECTION 03300 - CAST-IN-PLACE CONCRETE

further disturb slab surfaces before starting finishing operations.

- E. Cold-Weather Placement: Comply with ACI 306.1 and as follows. Protect concrete work from physical damage or reduced strength that could be caused by frost, freezing actions, or low temperatures.
 - 1. When average high and low temperature is expected to fall below 40 deg F (4.4 deg C) for three successive days, maintain delivered concrete mixture temperature within the temperature range required by ACI 301.
 - 2. Do not use frozen materials or materials containing ice or snow. Do not place concrete on frozen subgrade or on subgrade containing frozen materials.
 - 3. Do not use calcium chloride, salt, or other materials containing antifreeze agents or chemical accelerators unless otherwise specified and approved in mixture designs.
- F. Hot-Weather Placement: Comply with ACI 301 and as follows:
 - 1. Maintain concrete temperature below 90 deg F (32 deg C) at time of placement. Chilled mixing water or chopped ice may be used to control temperature, provided water equivalent of ice is calculated to total amount of mixing water. Using liquid nitrogen to cool concrete is Contractor's option.
 - 2. Fog-spray forms, steel reinforcement, and subgrade just before placing concrete. Keep subgrade uniformly moist without standing water, soft spots, or dry areas.

3.09 Finishing Formed Surfaces

- A. Rough-Formed Finish: As-cast concrete texture imparted by form-facing material with tie holes and defects repaired and patched. Remove fins and other projections that exceed specified limits on formed-surface irregularities.
 - 1. Apply to concrete surfaces not exposed to public view.
- B. Smooth-Formed Finish: As-cast concrete texture imparted by form-facing material, arranged in an orderly and symmetrical manner with a minimum of seams. Repair and patch tie holes and defects. Remove fins and other projections that exceed specified limits on formed-surface irregularities.
 - 1. Apply to concrete surfaces exposed to public view or to receive a rubbed finish.
- C. Rubbed Finish: Apply the following to smooth-formed finished as-cast concrete where indicated:
 - 1. Smooth-Rubbed Finish: Not later than one day after form removal, moisten concrete surfaces and rub with

DIVISION 3 - CONCRETE

SECTION 03300 - CAST-IN-PLACE CONCRETE

carborundum brick or another abrasive until producing a uniform color and texture. Do not apply cement grout other than that created by the rubbing process.

- D. Related Unformed Surfaces: At tops of walls, horizontal offsets, and similar unformed surfaces adjacent to formed surfaces, strike off smooth and finish with a texture matching adjacent formed surfaces. Continue final surface treatment of formed surfaces uniformly across adjacent unformed surfaces, unless otherwise indicated.

3.10 Finishing Floors And Slabs

- A. General: Comply with ACI 302.1R recommendations for screeding, restraightening, and finishing operations for concrete surfaces. Do not wet concrete surfaces.
- B. Scratch Finish: While still plastic, texture concrete surface that has been screeded and bull-floated or darbied. Use stiff brushes, brooms, or rakes to produce a profile amplitude of 1/4 inch (6 mm) in 1 direction.
 - 1. Apply scratch finish to surfaces indicated.
- C. Float Finish: Consolidate surface with power-driven floats or by hand floating if area is small or inaccessible to power driven floats. Restraighten, cut down high spots, and fill low spots. Repeat float passes and restraightening until surface is left with a uniform, smooth, granular texture.
 - 1. Apply float finish to surfaces to receive trowel finish.
- D. Trowel Finish: After applying float finish, apply first troweling and consolidate concrete by hand or power-driven trowel. Continue troweling passes and restraighten until surface is free of trowel marks and uniform in texture and appearance. Grind smooth any surface defects that would telegraph through applied coatings or floor coverings.
 - 1. Apply a trowel finish to surfaces indicated.
 - 2. Finish and measure surface so gap at any point between concrete surface and an unlevelled, freestanding, 10-foot- (3.05-m-) long straightedge resting on 2 high spots and placed anywhere on the surface does not exceed 1/8 inch (3.2 mm).
- E. Trowel and Fine-Broom Finish: Apply a first trowel finish to surfaces indicated and where ceramic or quarry tile is to be installed by either thickset or thin-set method. While concrete is still plastic, slightly scarify surface with a fine broom.
 - 1. Comply with flatness and levelness tolerances for trowel finished floor surfaces.

DIVISION 3 - CONCRETE

SECTION 03300 - CAST-IN-PLACE CONCRETE

- F. Broom Finish: Apply a broom finish to exterior concrete platforms, steps, and ramps, and elsewhere as indicated.
 - 1. Immediately after float finishing, slightly roughen trafficked surface by brooming with fiber-bristle broom perpendicular to main traffic route. Coordinate required final finish with Architect before application.
- 3.11 Miscellaneous Concrete Items
- A. Filling In: Fill in holes and openings left in concrete structures, unless otherwise indicated, after work of other trades is in place. Mix, place, and cure concrete, as specified, to blend with in-place construction. Provide other miscellaneous concrete filling indicated or required to complete the Work.
 - B. Curbs: Provide monolithic finish to interior curbs by stripping forms while concrete is still green and by steel-troweling surfaces to a hard, dense finish with corners, intersections, and terminations slightly rounded.
 - C. Equipment Bases and Foundations: Provide machine and equipment bases and foundations as shown on Drawings. Set anchor bolts for machines and equipment at correct elevations, complying with diagrams or templates from manufacturer furnishing machines and equipment.
 - D. Steel Pan Stairs: Provide concrete fill for steel pan stair treads, landings, and associated items. Cast-in inserts and accessories as shown on Drawings. Screed, tamp, and trowel-finish concrete surfaces.
- 3.12 Concrete Protecting And Curing
- A. General: Protect freshly placed concrete from premature drying and excessive cold or hot temperatures. Comply with ACI 306.1 for cold-weather protection and ACI 301 for hot-weather protection during curing.
 - B. Evaporation Retarder: Apply evaporation retarder to unformed concrete surfaces if hot, dry, or windy conditions cause moisture loss approaching 0.2 lb/sq. ft. x h (1 kg/sq. m x h) before and during finishing operations. Apply according to manufacturer's written instructions after placing, screeding, and bull floating or darbying concrete, but before float finishing.
 - C. Formed Surfaces: Cure formed concrete surfaces, including underside of beams, supported slabs, and other similar surfaces. If forms remain during curing period, moist cure after loosening forms. If removing forms before end of curing period, continue curing for the remainder of the curing period.

DIVISION 3 - CONCRETE

SECTION 03300 - CAST-IN-PLACE CONCRETE

- D. Unformed Surfaces: Begin curing immediately after finishing concrete. Cure unformed surfaces, including floors and slabs, concrete floor toppings, and other surfaces.
 - E. Cure concrete according to ACI 308.1, by one or a combination of the following methods:
 - 1. Moisture Curing: Keep surfaces continuously moist for not less than seven days with the following materials:
 - a. Water.
 - b. Continuous water-fog spray.
 - c. Absorptive cover, water saturated, and kept continuously wet. Cover concrete surfaces and edges with 12-inch (300-mm) lap over adjacent absorptive covers.
 - 2. Moisture-Retaining-Cover Curing: Cover concrete surfaces with moisture-retaining cover for curing concrete, placed in widest practicable width, with sides and ends lapped at least 12 inches (300 mm), and sealed by waterproof tape or adhesive. Cure for not less than seven days. Immediately repair any holes or tears during curing period using cover material and waterproof tape.
 - a. Moisture cure or use moisture-retaining covers to cure concrete surfaces to receive floor coverings.
- 3.13 Liquid Floor Treatments
- A. Penetrating Liquid Floor Treatment: Prepare, apply, and finish penetrating liquid floor treatment according to manufacturer's written instructions.
 - 1. Remove sealers, oil, dirt, laitance, and other contaminants and complete surface repairs.
 - 2. Do not apply to concrete that is less than 28 days old.
 - a. Apply liquid until surface is saturated, scrubbing into surface until a gel forms; rewet; and repeat brooming or scrubbing. Rinse with water; remove excess material until surface is dry. Apply a second coat in a similar manner if surface is rough or porous.
 - B. Sealing Coat: Uniformly apply a continuous sealing coat of curing and sealing compound to hardened concrete by power spray or roller according to manufacturer's written instructions.
- 3.14 Joint Filling
- A. Prepare, clean, and install joint filler according to manufacturer's written instructions.

DIVISION 3 - CONCRETE

SECTION 03300 - CAST-IN-PLACE CONCRETE

1. Defer joint filling until concrete has aged at least two month(s). Do not fill joints until construction traffic has permanently ceased.
 - B. Remove dirt, debris, saw cuttings, curing compounds, and sealers from joints; leave contact faces of joint clean and dry.
 - C. Install semirigid joint filler full depth in saw-cut joints and at least 2 inches (50 mm) deep in formed joints. Overfill joint and trim joint filler flush with top of joint after hardening.
- 3.15 Concrete Surface Repairs
- A. Defective Concrete: Repair and patch defective areas when approved by Architect. Remove and replace concrete that cannot be repaired and patched to Architect's approval.
 - B. Patching Mortar: Mix dry-pack patching mortar, consisting of one part portland cement to two and one-half parts fine aggregate passing a No. 16 (1.18-mm) sieve, using only enough water for handling and placing.
 - C. Repairing Formed Surfaces: Surface defects include color and texture irregularities, cracks, spalls, air bubbles, honeycombs, rock pockets, fins and other projections on the surface, and stains and other discolorations that cannot be removed by cleaning.
 1. Immediately after form removal, cut out honeycombs, rock pockets, and voids more than 1/2 inch (13 mm) in any dimension in solid concrete, but not less than 1 inch (25 mm) in depth. Make edges of cuts perpendicular to concrete surface. Clean, dampen with water, and brush-coat holes and voids with bonding agent. Fill and compact with patching mortar before bonding agent has dried. Fill form-tie voids with patching mortar or cone plugs secured in place with bonding agent.
 2. Repair defects on surfaces exposed to view by blending white portland cement and standard portland cement so that, when dry, patching mortar will match surrounding color. Patch a test area at inconspicuous locations to verify mixture and color match before proceeding with patching. Compact mortar in place and strike off slightly higher than surrounding surface.
 3. Repair defects on concealed formed surfaces that affect concrete's durability and structural performance as determined by Architect.
 - D. Repairing Unformed Surfaces: Test unformed surfaces, such as floors and slabs, for finish and verify surface tolerances specified for each surface. Correct low and

DIVISION 3 - CONCRETE

SECTION 03300 - CAST-IN-PLACE CONCRETE

high areas. Test surfaces sloped to drain for trueness of slope and smoothness; use a sloped template.

1. Repair finished surfaces containing defects. Surface defects include spalls, popouts, honeycombs, rock pockets, crazing and cracks in excess of 0.01 inch (0.25 mm) wide or that penetrate to reinforcement or completely through unreinforced sections regardless of width, and other objectionable conditions.
2. After concrete has cured at least 14 days, correct high areas by grinding.
3. Correct localized low areas during or immediately after completing surface finishing operations by cutting out low areas and replacing with patching mortar. Finish repaired areas to blend into adjacent concrete.
4. Correct other low areas scheduled to receive floor coverings with a repair underlayment. Prepare, mix, and apply repair underlayment and primer according to manufacturer's written instructions to produce a smooth, uniform, plane, and level surface. Feather edges to match adjacent floor elevations.
5. Correct other low areas scheduled to remain exposed with a repair topping. Cut out low areas to ensure a minimum repair topping depth of 1/4 inch (6 mm) to match adjacent floor elevations. Prepare, mix, and apply repair topping and primer according to manufacturer's written instructions to produce a smooth, uniform, plane, and level surface.
6. Repair defective areas, except random cracks and single holes 1 inch (25 mm) or less in diameter, by cutting out and replacing with fresh concrete. Remove defective areas with clean, square cuts and expose steel reinforcement with at least a 3/4-inch (19-mm) clearance all around. Dampen concrete surfaces in contact with patching concrete and apply bonding agent. Mix patching concrete of same materials and mixture as original concrete except without coarse aggregate. Place, compact, and finish to blend with adjacent finished concrete. Cure in same manner as adjacent concrete.
7. Repair random cracks and single holes 1 inch (25 mm) or less in diameter with patching mortar. Groove top of cracks and cut out holes to sound concrete and clean off dust, dirt, and loose particles. Dampen cleaned concrete surfaces and apply bonding agent. Place patching mortar before bonding agent has dried.

DIVISION 3 - CONCRETE

SECTION 03300 - CAST-IN-PLACE CONCRETE

Compact patching mortar and finish to match adjacent concrete. Keep patched area continuously moist for at least 72 hours.

- E. Perform structural repairs of concrete, subject to Architect's approval, using epoxy adhesive and patching mortar.
- F. Repair materials and installation not specified above may be used, subject to Architect's approval.

3.16 Field Quality Control

- A. Testing and Inspecting: Owner will engage a special inspector to perform field tests and inspections and prepare test reports.
- B. Inspections:
 - 1. Steel reinforcement placement.
 - 2. Steel reinforcement welding.
 - 3. Headed bolts and studs.
 - 4. Verification of use of required design mixture.
 - 5. Concrete placement, including conveying and depositing.
 - 6. Curing procedures and maintenance of curing temperature.
 - 7. Verification of concrete strength before removal of shores and forms from beams and slabs.
- C. Concrete Tests: Testing of composite samples of fresh concrete obtained according to ASTM C 172 shall be performed according to the following requirements:
 - 1. Testing Frequency: Obtain one composite sample for each day's pour of each concrete mixture exceeding 5 cu. yd. (4 cu. m), but less than 25 cu. yd. (19 cu. m), plus one set for each additional 50 cu. yd. (38 cu. m) or fraction thereof.
 - a. When frequency of testing will provide fewer than five compressive-strength tests for each concrete mixture, testing shall be conducted from at least five randomly selected batches or from each batch if fewer than five are used.
 - 2. Slump: ASTM C 143/C 143M; one test at point of placement for each composite sample, but not less than one test for each day's pour of each concrete mixture. Perform additional tests when concrete consistency appears to change.
 - 3. Air Content: ASTM C 231, pressure method, for normal-weight concrete; ASTM C 173/C 173M, volumetric method, for structural lightweight concrete; one test for each composite sample, but not less than one test for each day's pour of each concrete mixture.

DIVISION 3 - CONCRETE

SECTION 03300 - CAST-IN-PLACE CONCRETE

4. Concrete Temperature: ASTM C 1064/C 1064M; one test hourly when air temperature is 40 deg F (4.4 deg C) and below and when 80 deg F (27 deg C) and above, and one test for each composite sample.
5. Unit Weight: ASTM C 567, fresh unit weight of structural lightweight concrete; one test for each composite sample, but not less than one test for each day's pour of each concrete mixture.
6. Compression Test Specimens: ASTM C 31/C 31M.
 - a. Cast and laboratory cure two sets of two standard cylinder specimens for each composite sample.
7. Compressive-Strength Tests: ASTM C 39/C 39M; test one set of two laboratory-cured specimens at 7 days and one set of two specimens at 28 days.
 - a. A compressive-strength test shall be the average compressive strength from a set of two specimens obtained from same composite sample and tested at age indicated.
8. Strength of each concrete mixture will be satisfactory if every average of any three consecutive compressive-strength tests equals or exceeds specified compressive strength and no compressive-strength test value falls below specified compressive strength by more than 500 psi (3.4 MPa).
9. Test results shall be reported in writing to Architect, concrete manufacturer, and Contractor within 48 hours of testing. Reports of compressive-strength tests shall contain Project identification name and number, date of concrete placement, name of concrete testing and inspecting agency, location of concrete batch in Work, design compressive strength at 28 days, concrete mixture proportions and materials, compressive breaking strength, and type of break for both 7- and 28-day tests.
10. Nondestructive Testing: Impact hammer, sonoscope, or other nondestructive device may be permitted by Architect but will not be used as sole basis for approval or rejection of concrete.
11. Additional Tests: Testing and inspecting agency shall make additional tests of concrete when test results indicate that slump, air entrainment, compressive strengths, or other requirements have not been met, as directed by Architect. Testing and inspecting agency may conduct tests to determine adequacy of concrete by cored cylinders complying with ASTM C 42/C 42M or by other methods as directed by Architect.

DIVISION 3 - CONCRETE

SECTION 03300 - CAST-IN-PLACE CONCRETE

12. Additional testing and inspecting, at Contractor's expense, will be performed to determine compliance of replaced or additional work with specified requirements.
13. Correct deficiencies in the Work that test reports and inspections indicate dos not comply with the Contract Documents.

END OF SECTION

DIVISION 4 - MASONRY

SECTION 04810 - UNIT MASONRY ASSEMBLIES

PART 1 - GENERAL

1.01 Related Documents:

- A. Drawings and general provisions of the Contract, including General and Supplementary Conditions apply to this Section.

1.02 Summary

A. Section Includes:

1. Clay facing brick.
2. Mortar and grout.
3. Reinforcement and anchorage.
4. Lintels.
5. Accessories.

1.03 Related Sections:

- A. Section 05500 - Metal Fabrications: Loose steel lintels and fabricated steel items.
- B. Section 07600 - Sheet Metal Flashing and Trim: Through-wall masonry flashings.
- C. Section 07900 - Joint Sealers: Backing rod and sealant at control and expansion joints.

1.04 References (where applicable):

- A. ACI 530/ASCE 5/TMS 402 - Building Code Requirements for Masonry Structures; American Concrete Institute International; 2008.
- B. ACI 530.1/ASCE 6/TMS 602 - Specification For Masonry Structures; American Concrete Institute International; 2008.
- C. ASTM A 82/A 82M - Standard Specification for Steel Wire, Plain, for Concrete Reinforcement; 2005a.
- D. ASTM A 153/A 153M - Standard Specification for Zinc Coating (Hot-Dip) on Iron and Steel Hardware; 2005.
- E. ASTM C 129 - Standard Specification for Nonloadbearing Concrete Masonry Units; 2006.
- F. ASTM C 144 - Standard Specification for Aggregate for Masonry Mortar; 2004.
- G. ASTM C 150 - Standard Specification for Portland Cement; 2005.
- H. ASTM C 207 - Standard Specification for Hydrated Lime for Masonry Purposes; 2006.
- I. ASTM C 270 - Standard Specification for Mortar for Unit Masonry; 2007.
- J. ASTM C 404 - Standard Specification for Aggregates for Masonry Grout; 2006.
- K. ASTM C 476 - Standard Specification for Grout for Masonry; 2002.

DIVISION 4 - MASONRY

SECTION 04810 - UNIT MASONRY ASSEMBLIES

1.05 Submittals:

- A. Product Data: Provide data for masonry units, mortar, and masonry accessories.
- B. Samples: Submit 10 samples of facing brick units to illustrate color, texture, and extremes of color range.

1.06 Quality Assurance:

- A. Comply with provisions of ACI 530/ASCE 5/TMS 402 and ACI 530.1/ASCE 6/TMS 602, except where exceeded by requirements of the contract documents

1.07 Pre-Installation Meeting:

- A. Convene one week before starting work of this section.

1.08 Delivery, Storage, and Handling:

- A. Deliver, handle, and store masonry materials by means that will prevent mechanical damage and contamination by other materials.

1.09 Project Conditions:

- A. Protection of Masonry: During construction, cover tops of walls, projections, and sills with waterproof sheeting at end of each day's work. Cover partially completed masonry when construction is not in progress.
- B. Cold-Weather Requirements: Do not use frozen materials or materials mixed or coated with ice or frost. Do not build on frozen substrates. Remove and replace unit masonry damaged by frost or by freezing conditions. Comply with cold-weather construction requirements contained in ACI 530.1/ASCE 6/TMS 602.
 - 1. Cold-Weather Cleaning: Use liquid cleaning methods only when air temperature is 40 deg F (4 deg C) and higher and will remain so until masonry has dried, but not less than seven days after completing cleaning.
- C. Hot-Weather Requirements: Comply with hot-weather construction requirements contained in ACI 530.1/ASCE 6/TMS 602.

PART 2 - PRODUCTS

2.01 Face Brick (Veneer):

- A. Type and Finish: Velour Modular Brick.
- B. Quality: ASTM C-216, Type FBS.
- C. Size: Nominal 4" x 2 2/3" x 8" or match existing.
- D. Units shall be uniform in all dimensions and texture, straight and free from cracks, spalls and other defects.
- E. Color: refer to Color Schedule - match existing.

DIVISION 4 - MASONRY

SECTION 04810 - UNIT MASONRY ASSEMBLIES

2.02 Mortar and Grout Materials:

- A. Portland Cement: ASTM C 150, Type I.
 - 1. Hydrated Lime: ASTM C 207, Type S.
 - 2. Mortar Aggregate: ASTM C 144.
 - 3. Grout Aggregate: ASTM C 404.
- B. Water: Clean and potable.

2.03 Reinforcement and Anchorage:

- A. Manufacturers of Joint Reinforcement and Anchors:
 - 1. Dur-O-Wal: www.dur-o-wal.com.
 - 2. Hohmann & Barnard, Inc: www.h-b.com.
 - 3. Masonry Reinforcing Corporation of America: www.wirebond.com.
 - 4. Substitutions: as approved by Architect / Engineer.
- B. Reinforcing Steel: ASTM A 615/A 615M Grade 40 (280) deformed billet bars; galvanized.
- C. Single Wythe Joint Reinforcement: Truss type; ASTM A 82/A 82M steel wire, mill galvanized to ASTM A 641/A 641M, Class 3; 0.1483 inch (3.8 mm) side rods with 0.1483 inch (3.8 mm) cross rods; width as required to provide not more than 1 inch (25 mm) and not less than 1/2 inch (13 mm) of mortar coverage on each exposure.
- D. Flexible Anchors: 2-piece anchors that permit differential movement between masonry and building frame, sized to provide not more than 1 inch (25 mm) and not less than 1/2 inch (13 mm) of mortar coverage from masonry face.
- E. Masonry Veneer Anchors: 2-piece anchors that permit differential movement between masonry veneer and structural backup, hot dip galvanized to ASTM A 153/A 153M, Class B.
 - 1. Anchor plates: Not less than 0.075 inch (1.91 mm) thick, designed for fastening to structural backup through sheathing by two fasteners; provide design with legs that penetrate sheathing and insulation to provide positive anchorage.
 - 2. Wire ties: Triangular shape, 0.1875 inch (4.75 mm) thick.
 - 3. Vertical adjustment: Not less than 3-1/2 inches (89 mm).

2.04 Flashings:

- A. Metal Flashing Materials: Galvanized Steel as specified in Section 07600.

2.05 Accessories:

- A. Preformed Control Joints: Rubber material. Provide with corner and tee accessories, fused joints.
- B. Compressible Filler: Pre-molded filler strips complying

DIVISION 4 - MASONRY

SECTION 04810 - UNIT MASONRY ASSEMBLIES

with ASTM D 1056, Grade 2A1; compressible up to 35%; formulated from neoprene, urethane or PVC.

- C. Bond Breaker Strips: Asphalt-saturated, organic roofing felt complying with ASTM D 226, Type 1 (No. 15 asphalt felt).
- D. Weeps: Free-draining mesh made from polyethylene strands, full height and width of head joint and depth 1/8 inch less than depth of outer wythe.
 - 1. Manufacturers:
 - a. Mortar Net USA, Ltd; Product - Mortar Net Weep Vents: www.martarnet.com
 - b. Substitutions: as approved by Architect / Engineer.

Cleaning Solution: Non-acidic, not harmful to masonry work or adjacent materials.

2.06 Mortar and Grout Mixes:

- A. General: Do not use admixtures, including pigments, air-entraining agents, accelerators, retarders, water-repellent agents, antifreeze compounds or other admixtures, unless otherwise indicated.
 - 1. Do not use calcium chloride in mortar or grout.
 - 2. Limit cementitious materials in mortar to portland cement and lime.
- B. Mortar for Unit Masonry: ASTM C 270, using the Proportion Specification.
 - 1. All masonry: Type S.
 - a. Portland Cement Mixture: One part Grey Portland Cement; 1/4 to 1/2 part lime; sand, not less than 2-1/4 and not more than three times the sum of the volumes of cement and lime used, measured in damp, loose conditions.
 - b. **Colors at exterior face brick veneer to be selected by Architect to match or coordinate with existing.**
- C. Grout for Unit Masonry: Comply with ASTM C 476.
 - 1. Use grout of type (fine or coarse) that will comply with Table 1.15.1 in ACI 530.1/ASCE 6/TMS 602 for dimensions of grout spaces and pour height.
 - 2. Provide grout with a slump of 8 to 11 inches (200 to 280 mm) as measure according to ASTM C 143/C 143M.
- D. Mortar Mixing
 - 1. All mortars shall be machine mixed in equipment that is free of dirt, oil or grease and which is thoroughly cleaned and rinsed after each day's use. Mix no more

DIVISION 4 - MASONRY

SECTION 04810 - UNIT MASONRY ASSEMBLIES

- mortar than can be used before setting takes place.
2. Mortars shall be mixed placing all dry ingredients in the mixer first and mixing until uniform in color. Then mixed for 3 to 5 minutes with the maximum amount of water to provide workable consistency.
 3. No add-mixtures shall be used at any time in the mortar on this project, unless approved in writing by the Engineer.
 4. A waterproofing additive will be used in the mortar for brick.
 5. Construct one or two wooden boxes 12"x12"x6" deep and use them to measure the sand required in a batch. Add the cement or lime by the bag. Then add water, measuring by pail. When the desired consistency of mix is determined, mark the level of the mortar in the mixing drum. Use that as the mark for later batches when sand will be added by the shovel full. Repeat the measuring process halfway through the day or whenever the inspector requests it.
 6. Testing: General Contractor will observe a minimum of three (3) observed mixing sessions to verify that the quantities are being mixed as described in the proportions paragraph for Type "S" mortar.

PART 3 - EXECUTION

3.01 Examination:

- A. Verify that field conditions are acceptable and are ready to receive masonry.
- B. Verify that related items provided under other sections are properly sized and located.
- C. Verify that built-in items are in proper location, and ready for roughing into masonry work.

3.02 Erection:

- A. Construction Requirements (Masonry Being Worked On)
 1. Air Temperature 40 F to 32 F: Heat sand or mixing water to minimum of 70 F and maximum of 160 F.
 2. Air Temperature 32 F to 25 F: Heat sand and mixing water to minimum of 70 F and maximum of 160 F.
 3. Air Temperature 25 F to 20 F: Heat sand and mixing water to minimum of 70 F and maximum of 160 F. Use salamanders or other sources of heat on both sides of walls under construction. Employ windbreaks when wind is in excess of 15 mph.

DIVISION 4 - MASONRY

SECTION 04810 - UNIT MASONRY ASSEMBLIES

4. Air Temperature 20 F and Below: Heat sand and mixing water to minimum of 70 F and maximum of 160 F. Provide enclosure and auxiliary heat to maintain air temperature above 32 F. Temperature of units when laid shall be not less than 20 F.
- B. Protection Requirements (Completed Masonry or Sections Not Being Worked On)
1. Mean Daily Air Temperature 40 F to 32 F: Protect masonry from rain or snow for 24 hrs.
 2. Mean Daily Air Temperature 32 F to 25 F: Completely cover masonry for 24 hrs.
 3. Mean Daily Air Temperature 25 F to 20 F: Completely cover masonry with insulating blankets for 24 hrs.
 4. Mean Daily Air Temperature 20 F and Below: Maintain masonry temperature above 32 F for 24 hrs. by enclosure and supplementary heat, by electric heating blankets, infrared heat lamps or other approved method.
- C. No masonry shall be laid when the ambient temperature is below 40 degrees F. All masonry shall be laid plumb, true to line and level, with accurately spaced courses, with each course breaking joints with the course below, unless noted otherwise on the drawings. A story pole and template shall be used and work checked with a surveying instrument to maintain level coursing.
- D. Work required to be built into masonry, including anchors, frames, bolts, sleeves, inserts, compressible fillers, expansion joints and flashing shall be built in as erection progresses. Concrete block into which anchor bolts will be installed shall be filled solid with mortar.
- E. Brick: Provide a 3/8" mortar bed with concave tooled horizontal and vertical joints. Refer to drawings for vertical coursing as related to openings and other features. Brickwork is to be brushed down daily to remove large pieces of mortar slag. At completion of brick masonry work, all exposed masonry surfaces shall be thoroughly cleaned and washed down with clean water and a stiff bristled brush or as recommended by the brick manufacturer and as approved by the Design/Builder. The brick masonry work shall be left in a state exhibiting properly and fully pointed joints and completely clean surfaces. Subcontractor shall build-in all features of brickwork as shown or indicated on the drawings including weeps, special coursing and or patterned elements.

DIVISION 4 - MASONRY

SECTION 04810 - UNIT MASONRY ASSEMBLIES

- F. The Subcontractor shall be responsible for furnishing all required labor, tools, and equipment as required to complete all areas of masonry work on the project. This shall be inclusive of all scaffolding, walk-boards and bracing as required to support the work until fully incorporated into the structure.
 - G. Subcontractor shall also furnish all materials save for the brick units as called out above. These materials include concrete block, mortar, reinforcing, ties and other accessories necessary for the execution of the masonry work.
- 3.03 Preparation:
- A. Direct and coordinate placement of metal anchors supplied for installation under other sections.
 - B. Provide temporary bracing during installation of masonry work. Maintain in place until building structure provides permanent bracing.
- 3.04 Coursing:
- A. Establish lines, levels, and coursing indicated. Protect from displacement.
 - B. Maintain masonry courses to uniform dimension. Form vertical and horizontal joints of uniform thickness.
 - C. Brick Units:
 - 1. Bond: Running.
 - 2. Coursing: Three units and three mortar joints to equal 8 inches (200 mm).
 - 3. Mortar Joints: Concave.
- 3.05 Placing and Bonding:
- A. Lay solid masonry units in full bed of mortar, with full head joints, uniformly jointed with other work.
 - B. Masonry work shall be laid true to dimensions, plumb, square and in bond and properly anchored with vertical joints in line, plumb and true.
 - C. Select and arrange units for exposed unit masonry to produce a uniform blend of colors and textures.
 - D. Battering corners of joints or excessive furrowing of mortar joints is not permitted.
 - E. Remove excess mortar and mortar smears as work progresses.
 - F. Interlock intersections and external corners.
 - G. Do not shift or tap masonry units after mortar has achieved initial set. Where adjustment must be made, remove mortar and replace.
 - H. Perform job site cutting of masonry units with proper tools to provide straight, clean, unchipped edges. Prevent

DIVISION 4 - MASONRY

SECTION 04810 - UNIT MASONRY ASSEMBLIES

broken masonry unit corners or edges.

- I. Provide a 3/8" joint around hollow metal door jambs and window frames to allow for sealant and expansion.
- 3.06 Weeps/Cavity Vents:
Install weeps in veneer walls at 24 inches on center horizontally above through-wall flashing, above shelf angles and lintels, and at bottom of walls.
- 3.07 Reinforcement and Anchorage - General:
- A. Fasten anchors to structural framing and embed in masonry joints as masonry is laid. Unless otherwise indicated on drawings or closer spacing is indicated under specific wall type, space anchors at maximum of 36 inches (900 mm) horizontally and 24 inches (600 mm) vertically.
 - B. Install additional anchors within 12 inches (305 mm) of openings and at intervals, not exceeding 36 inches (900 mm) around perimeter.
 - C. Locate anchor sections to allow maximum vertical differential movement of ties up and down.
- 3.08 Reinforcement And Anchorage - Masonry Veneer:
- A. Stud Back-Up: Secure veneer anchors to stud framed back-up and embed into masonry veneer at maximum 16 inches on center vertically and 24 inches on center horizontally. Place additional anchors at perimeter of openings and ends of panels, so maximum spacing of anchors is 8 inches on center.
- 3.09 Masonry Flashings:
- A. Whether or not specifically indicated, install masonry flashing to divert water to exterior at all locations where downward flow of water will be interrupted.
 1. Extend flashings full width at such interruptions and at least 4 inches into adjacent masonry or turn up at least 4 inches to form watertight pan at non-masonry construction.
 2. Remove or cover protrusions or sharp edges that could puncture flashings.
 3. Seal lapped ends and penetrations of flashing before covering with mortar.
 - B. Extend metal flashings through exterior face of masonry and turn down to form drip. Install joint sealer below drip edge to prevent moisture migration under flashing.
 - C. Lap end joints of flashings at least 4 inches and seal watertight with mastic or elastic sealant.
- 3.10 Lintels:
- A. Install loose steel lintels or masonry lintels over

DIVISION 4 - MASONRY

SECTION 04810 - UNIT MASONRY ASSEMBLIES

openings as noted by Structural / Architectural Drawings.

3.11 Control Joints:

- A. Do not continue horizontal joint reinforcement through control joints.
- B. Install preformed control joint device in continuous lengths. Seal butt and corner joints in accordance with manufacturer's instructions.
- C. Size control joint in accordance with Section 07900 for sealant performance.

3.12 Built-In Work:

- A. As work progresses, install built-in metal door frames and other items to be built into the work and furnished under other sections.
- B. Install built-in items plumb, level, and true to line.
- C. Bed anchors of metal door frames in adjacent mortar joints. Fill frame voids solid with grout.
- D. Do not build into masonry construction organic materials that are subject to deterioration.

3.13 Tolerances:

- A. Maximum Variation from Alignment of Columns: 1/4 inch.
- B. Maximum Variation From Unit to Adjacent Unit: 1/16 inch.
- C. Maximum Variation from Plane of Wall: 1/4 inch in 10 ft and 1/2 inch in 20 ft or more.
- D. Maximum Variation from Plumb: 1/4 inch per story non-cumulative; 1/2 inch in two stories or more.
- E. Maximum Variation from Level Coursing: 1/8 inch in 3 ft and 1/4 inch in 10 ft; 1/2 inch in 30 ft.
- F. Maximum Variation of Joint Thickness: 1/8 inch in 3 ft.
- G. Maximum Variation from Cross Sectional Thickness of Walls: 1/4 inch.

3.14 Cutting And Fitting:

- A. Cut and fit for pipes and conduit. Coordinate with other sections of work to provide correct size, shape, and location.
- B. Obtain approval prior to cutting or fitting masonry work not indicated or where appearance or strength of masonry work may be impaired.

3.15 Cleaning:

- A. Remove excess mortar and mortar droppings.
- B. Clean soiled surfaces with cleaning solution.

DIVISION 4 - MASONRY

SECTION 04810 - UNIT MASONRY ASSEMBLIES

3.16 Protection Of Finished Work:

- A. Without damaging completed work, provide protective boards at exposed external corners that are subject to damage by construction activities.

End of Section

DIVISION 5 - STRUCTURAL STEEL

SECTION 05120 - STRUCTURAL STEEL FRAMING

PART 1 - GENERAL

1.01 Section Includes

- A. Structural steel framing members.
- B. Base plates, shear stud connectors and anchor rods.
- C. Grouting under base plates.

1.02 Related Requirements

- A. Section 05 2100 - Steel Joist Framing.
- B. Section 05 3100 - Steel Decking: Support framing for small openings in deck.
- C. Section 05 5000 - Metal Fabrications: Steel fabrications affecting structural steel work.

1.03 Reference Standards

- A. For all reference standards listed below, comply with the version year in the governing building code adopted by the Authority Having Jurisdiction. For those reference standards that are not directly referenced by the building code, use the latest edition unless noted otherwise.
- B. AISC (MAN) - Steel Construction Manual.
- C. AISC 303 - Code of Standard Practice for Steel Buildings and Bridges.
- D. AISC 360 - Specification for Structural Steel Buildings.
- E. ASTM A6/A6M - Standard Specification for General Requirements for Rolled Structural Steel Bars, Plates, Shapes, and Sheet Piling.
- F. ASTM A29/A29M - Standard Specification for Steel Bars, Carbon Alloy, Hot-Wrought, General Requirements.
- G. ASTM A36/A36M - Standard Specification for Carbon Structural Steel.
- H. ASTM A53/A53M - Standard Specification for Pipe, Steel, Black and Hot-Dipped, Zinc-Coated, Welded and Seamless.
- I. ASTM A123/A123M - Standard Specification for Zinc (Hot-Dip Galvanized) Coatings on Iron and Steel Products.
- J. ASTM A153/A153M - Standard Specification for Zinc Coating (Hot-Dip) on Iron and Steel Hardware.
- K. ASTM A307 - Standard Specification for Carbon Steel Bolts, Studs, and Threaded Rod 60 000 PSI Tensile Strength.
- L. ASTM A325 - Standard Specification for Structural Bolts, Steel, Heat Treated, 120/105 ksi Minimum Tensile Strength.
- M. ASTM A500/A500M - Standard Specification for Cold-Formed Welded and Seamless Carbon Steel Structural Tubing in Rounds and Shapes.
- N. ASTM A563 - Standard Specification for Carbon and Alloy Steel Nuts.
- O. ASTM A563M - Standard Specification for Carbon and Alloy Steel Nuts (Metric).

DIVISION 5 - STRUCTURAL STEEL

SECTION 05120 - STRUCTURAL STEEL FRAMING

- P. ASTM A572/A572M - Standard Specification for High-Strength Low-Alloy Columbium-Vanadium Structural Steel.
 - Q. ASTM A992/A992M - Standard Specification for Structural Steel Shapes.
 - R. ASTM A1064/A1064M - Standard Specification for Carbon-Steel Wire and Welded Wire Reinforcement, Plain and Deformed, for Concrete.
 - S. ASTM C827/C827M - Standard Test Method for Change in Height at Early Ages of Cylindrical Specimens of Cementitious Mixtures.
 - T. ASTM E94/E94M - Standard Guide for Radiographic Examination Using Industrial Radiographic Film.
 - U. ASTM E164 - Standard Practice for Contact Ultrasonic Testing of Weldments.
 - V. ASTM E165/E165M - Standard Test Method for Liquid Penetrant Examination for General Industry.
 - W. ASTM E709 - Standard Guide for Magnetic Particle Testing.
 - X. ASTM F436/F436M - Standard Specification for Hardened Steel Washers Inch and Metric Dimensions.
 - Y. ASTM F1554 - Standard Specification for Anchor Bolts, Steel, 36, 55, and 105-ksi Yield Strength.
 - Z. ASTM F1852 - Standard Specification for "Twist Off" Type Tension Control Structural Bolt/Nut/Washer Assemblies, Steel, Heat Treated, 120/105 ksi Minimum Tensile Strength.
 - AA. AWS A2.4 - Standard Symbols for Welding, Brazing, and Nondestructive Examination.
 - AB. AWS D1.1/D1.1M - Structural Welding Code - Steel.
 - AC. ICC (IBC)-2015 - International Building Code.
 - AD. MPI #79 - Primer, Alkyd, Anti-Corrosive for Metal.
 - AE. RCSC (HSBOLT) - Specification for Structural Joints Using High-Strength Bolts; Research Council on Structural Connections.
 - AF. SSPC-Paint 20 - Zinc-Rich Primers (Type I, "Inorganic," and Type II, "Organic").
 - AG. SSPC-SP 3 - Power Tool Cleaning.
 - AH. SSPC-SP 6 - Commercial Blast Cleaning.
- 1.04 Submittals
- A. See Section 01 3000 - Administrative Requirements, for submittal procedures.
 - B. Shop Drawings:
 - 1. Indicate profiles, sizes, spacing, locations of structural members, openings, attachments, and fasteners.
 - 2. Indicate cambers and loads.
 - 3. Indicate welded connections with AWS A2.4 welding symbols. Indicate net weld lengths.

DIVISION 5 - STRUCTURAL STEEL

SECTION 05120 - STRUCTURAL STEEL FRAMING

- C. Manufacturer's Mill Certificate: Certify that products meet or exceed specified requirements.
 - D. Product Data: For shop primers, include manufacturer's technical information including basic materials analysis and application instructions.
 - E. Welders Certificates: Certify welders employed on the Work, verifying AWS qualification within the previous 12 months.
- 1.05 Quality Assurance
- A. Fabricate structural steel members in accordance with AISC (MAN) "Steel Construction Manual."
 - B. Fabricator Qualifications:
 - 1. A steel fabricator specializing in performing the work of this section with minimum 10 years of experience.
 - C. Erector Qualifications:
 - 1. An erector specializing in performing the work of this section with minimum 5 years of experience.
- 1.06 Delivery, Storage And Handling
- A. Comply with the requirements of the General Conditions and of ASTM A6/A6M, including the following.
 - B. Store materials to permit easy access for inspection and identification. Keep steel members off ground and spaced by using pallets, dunnage, or other supports and spacers. Protect steel members and packaged materials from corrosion and deterioration.
 - 1. Do not store materials on structure in a manner that might cause distortion, damage, or overload to members or supporting structures. Repair or replace damaged materials or structures as directed.
 - C. Store fasteners in a protected place in sealed containers with manufacturer's labels intact.
 - 1. Fasteners may be repackaged provided Owner's testing and inspecting agency observes repackaging and seals containers.
 - 2. Clean and relubricate bolts and nuts that become dry or rusty before use.
 - 3. Comply with manufacturers' written recommendations for cleaning and lubricating ASTM F1852 fasteners and for retesting fasteners after lubrication.

PART 2 - PRODUCTS

2.01 Materials

- A. Steel Angles, Plates, and Channels: ASTM A36/A36M.
- B. Steel W Shapes and Tees: ASTM A992/A992M.
- C. Cold-Formed Structural Tubing: ASTM A500/A500M, Grade C.
- D. Pipe: ASTM A53/A53M, Grade B, Finish black.

DIVISION 5 - STRUCTURAL STEEL

SECTION 05120 - STRUCTURAL STEEL FRAMING

- E. Headed Stud Anchors: AWS D1.1 Type B, ASTM A29 Grades 1010 through 1020.
- F. Structural Bolts and Nuts: Carbon steel, ASTM A307, Grade A and galvanized in compliance with ASTM A153/A153M, Class C.
- G. High-Strength Structural Bolts, Nuts, and Washers: ASTM A325, Type 1, heavy-hex steel structural bolts; ASTM A563, Grade C heavy-hex carbon-steel nuts; and ASTM F436/F436M, Type 1, hardened carbon-steel washers; all with plain finish.
- H. Tension Control Bolts: Twist-off type: ASTM F1852.
- I. Unheaded Anchor Rods: ASTM F1554, Grade 55, Supplementary Requirement S1, Weldable, plain, with matching ASTM A563 or ASTM A563M nuts and ASTM F436/F436M Type 1 washers.
- J. Deformed Bar Anchors: AWS D1.1/D1.1M Type C, ASTM A1064 Grade 70.
- K. Welding Materials: AWS D1.1/D1.1M; type required for materials being welded.
- L. Grout: ASTM C1107/C1107M; Non-shrink; premixed compound consisting of non-metallic aggregate, cement, water reducing and plasticizing agents.
 - 1. Minimum Compressive Strength at 48 Hours: 3000 pounds per square inch.
 - 2. Minimum Compressive Strength at 28 Days: 7,000 pounds per square inch.
 - 3. Height Change, Plastic State; when tested according to ASTM C827/C827M:
 - a. Maximum: Plus 4 percent.
 - b. Minimum: Plus 1 percent.
- M. Shop and Touch-Up Primers: As required below, complying with VOC limitations of authorities having jurisdiction.
 - 1. Steel Exposed to Exterior Weather or an Uncontrolled Environment: Two-component, high performance, zinc-rich, aromatic urethane, compatible with topcoat and complying with SSPC-Paint 20.
 - 2. Interior Steel: Fabricator's standard lead- and chromate-free, non-asphaltic, rust-inhibiting primer complying with MPI #79 and compatible with topcoat.
- N. Touch-Up Primer for Galvanized Surfaces: SSPC-Paint 20, complying with VOC limitations of authorities having jurisdiction.

2.02 Fabrication

- A. Shop fabricate to greatest extent possible. Fabricate according to AISC 303 and to AISC 360.
- B. Fabricate connections for bolt, nut, and washer connectors.
- C. Develop required camber for members.
- D. Fabricated uncambered beams with rolling camber up.

DIVISION 5 - STRUCTURAL STEEL

SECTION 05120 - STRUCTURAL STEEL FRAMING

2.03 Finish

- A. Prepare structural component surfaces in accordance with SSPC-SP3 for interior steel or SSPC-SP6 for all steel exposed to exterior weather or an uncontrolled environment.
- B. Shop prime structural steel members:
 - 1. Do not prime surfaces that will be galvanized, fireproofed, field welded, in contact with concrete, or [in slip surfaces of slip-critical connections].
 - 2. All steel exposed to exterior weather or an uncontrolled environment shall be blast cleaned and primed with a submitted and approved zinc-rich primer.
 - 3. Interior steel shall be shop primed with the fabricators standard shop primer.
- C. Galvanize structural steel members to comply with ASTM A123/A123M.

2.04 Source Quality Control & Quality Assurance

- A. Unless the fabricator is designated an AISC-Certified Plant, Category STD, or is accredited by the IAS Fabricator Inspection Program for Structural Steel, an independent testing agency will perform Special Inspections and field quality control and quality assurance tests in the fabricator's shop as required by Chapter 17 of ICC (IBC)-2015 and Chapter N of AISC 360. Refer to the following parts of the structural drawings for additional Special Inspection requirements.
 - 1. Statement of Special Inspection Notes
 - 2. Two tables titled "Required Verification and Inspection of Steel Construction"

PART 3 - EXECUTION

3.01 Examination

- A. Verify that conditions are appropriate for erection of structural steel and that the work may properly proceed.

3.02 Erection

- A. Erect structural steel in compliance with AISC 303.
- B. Allow for erection loads and provide sufficient temporary bracing to maintain structure in safe condition, plumb, and in true alignment until completion of erection and installation of permanent bracing. Refer to the "Construction Loads and Stability" section of the General Notes in the Project Drawings for additional information and requirements.
- C. Field weld components, deformed bar anchors and shear studs indicated on shop drawings.
- D. Use carbon steel bolts only for temporary bracing during construction, unless otherwise specifically permitted on

DIVISION 5 - STRUCTURAL STEEL

SECTION 05120 - STRUCTURAL STEEL FRAMING

drawings. Install high-strength bolts in accordance with RCSC (HSBOLT) "Specification for Structural Joints Using High-Strength Bolts".

- E. Do not field cut or alter structural members without approval of Structural Engineer.
- F. After erection, prime welds, abrasions, and surfaces not shop primed, except surfaces to be in contact with concrete.
- G. Grout solidly between column plates and bearing surfaces, complying with manufacturer's instructions for non-shrink grout. Trowel grouted surfaces smooth, splaying neatly to 45 degrees.

3.03 Field Quality Control & Quality Assurance

- A. An independent testing agency will perform Special Inspections and field quality control and quality assurance tests as required by Chapter 17 of ICC (IBC)-2015 and Chapter N of AISC 360. Refer to the following parts of the structural drawings for additional Special Inspection requirements:
 - 1. Statement of Special Inspection Notes
 - 2. Two tables titled "Required Verification and Inspection of Steel Construction"

END OF SECTION

DIVISION 5 - STRUCTURAL STEEL

SECTION 05210 - STEEL JOIST FRAMING

PART 1 - GENERAL

1.01 Section Includes

- A. Open web steel joists, with bridging, attached seats and anchors.
- B. Loose bearing members, such as plates or angles, and anchor bolts for site placement.
- C. Supplementary framing for floor and roof openings greater than 8 inches.

1.02 Related Requirements

- A. Section 05 1200 - Structural Steel Framing: Grouting base plates and bearing plates. Superstructure framing.
- B. Section 05 1200 - Structural Steel Framing: Superstructure framing.
- C. Section 05 3100 - Steel Decking: Bearing plates and angles.
- D. Section 05 5000 - Metal Fabrications: Non-framing steel fabrications attached to joists.

1.03 Reference Standards:

- A. For all reference standards listed below, comply with the version year in the governing building code adopted by the Authority Having Jurisdiction. For those reference standards that are not directly referenced by the building code, use the latest edition unless noted otherwise.
- B. ASTM A36/A36M - Standard Specification for Carbon Structural Steel.
- C. ASTM A153/A153M - Standard Specification for Zinc Coating (Hot-Dip) on Iron and Steel Hardware.
- D. ASTM A307 - Standard Specification for Carbon Steel Bolts, Studs, and Threaded Rod 60 000 PSI Tensile Strength.
- E. ASTM A325 - Standard Specification for Structural Bolts, Steel, Heat Treated, 120/105 ksi Minimum Tensile Strength.
- F. ASTM A436 - Standard Specification for Austenitic Gray Iron Castings.
- G. ASTM A563 - Standard Specification for Carbon and Alloy Steel Nuts.
- H. AWS B2.1/B2.1M - Specification for Welding Procedure and Performance Qualification.
- I. AWS D1.1/D1.1M - Structural Welding Code - Steel.
- J. IAS AC172 - Accreditation Criteria for Fabricator Inspection Programs for Structural Steel.
- K. ICC (IBC)-2015 - International Building Code.
- L. SJI JG-10 - Standard Specification for Joist Girders.
- M. SJI K-10 - Standard Specification for Open Web Steel Joists, K-Series.

DIVISION 5 - STRUCTURAL STEEL

SECTION 05210 - STEEL JOIST FRAMING

- N. SJI LH/DLH-10 - Standard Specification for Longspan Steel Joists, LH-series and Deep Longspan Steel Joists, DLH-series.
 - O. SJI Technical Digest No. 9 - Handling and Erection of Steel Joists and Joist Girders.
 - P. SSPC-Paint 15 - Steel Joist Shop Primer/Metal Building Primer.
 - Q. SSPC-SP 2 - Hand Tool Cleaning.
- 1.04 Submittals
- A. See Section 01 3000 - Administrative Requirements, for submittal procedures.
 - B. Shop Drawings: Indicate standard designations, joist coding, configurations, sizes, spacings, cambers, locations of joists, joist leg extensions, bridging, connections, and attachments.
 - C. Welders' Certificates: Submit manufacturer's certificates, certifying welders employed on the Work, verifying AWS qualification within the previous 12 months.
 - D. Manufacturer's Qualification Statement.
 - E. Comprehensive engineering analysis of all joists signed and sealed by the qualified professional engineer licensed in the state of the project responsible for its preparation.
 - F. Manufacturer's Certification: At completion of manufacture, the steel joist manufacturer shall submit a certificate of compliance to the owner's authorized agent for submittal to the building official as specified in Section 1704.5 of ICC (IBC)-2015 stating that work was performed in accordance with approved construction documents and with the SJI specifications listed herein.
- 1.05 Quality Assurance
- A. Perform Work, including that for headers and other supplementary framing, in accordance with SJI JG-10, SJI K-10, and SJI LH/DLH-10 and SJI Technical Digest No. 9.
 - B. Manufacturer Qualifications: Company specializing in performing the work of this section with minimum 5 years documented experience.
- 1.06 Delivery, Storage, And Handling
- A. Transport, handle, store, and protect products to SJI requirements.

PART 2 - PRODUCTS

2.01 Materials

- A. Open Web Joists: Types as indicated on drawings:
 - 1. Minimum End Bearing on Steel Supports: Comply with referenced SJI standard.

DIVISION 5 - STRUCTURAL STEEL

SECTION 05210 - STEEL JOIST FRAMING

2. Minimum End Bearing on Concrete or Masonry Supports: Comply with referenced SJI standard.
 3. Finish: Shop primed.
 - B. Anchor Bolts, Nuts and Washers: ASTM A307, hot-dip galvanized per ASTM A153/A153M, Class C.
 - C. High-Strength Structural Bolts, Nuts, and Washers: ASTM A325 with matching compatible ASTM A563 nuts and ASTM A436 washers.
 - D. Headed Stud Anchors: [AWS D1.1 Type B, ASTM A29 Grades 1010 through 1020].
 - E. Structural Steel For Supplementary Framing and Joist Leg Extensions: ASTM A36/A36M.
 - F. Welding Materials: AWS D1.1/D1.1M; type required for materials being welded.
 - G. Shop and Touch-Up Primer: SSPC-Paint 15, complying with VOC limitations of authorities having jurisdiction.
- 2.02 Finish
- A. Shop prime joists as specified.
 1. Do not prime surfaces that will be fireproofed.
 - B. Prepare surfaces to be finished in accordance with SSPC-SP2.
- 2.03 Source Quality Control
- A. Welded Connections: Visually inspect all shop-welded connections.

PART 3 - EXECUTION

- 3.01 Examination
- A. Verify existing conditions prior to beginning work.
- 3.02 Erection
- A. Erect joists in compliance with SJI Technical Digest No. 9 and all applicable provisions of OSHA safety standards.
 - B. Erect joists with correct bearing on supports.
 - C. Allow for erection loads. Provide sufficient temporary bracing to maintain framing safe, plumb, and in true alignment.
 - D. Coordinate the placement of anchors for securing loose bearing members furnished as part of the work of this section.
 - E. After joist alignment and installation of framing, field weld joist seats to steel bearing surfaces.
 - F. Position and field weld joist chord extensions and wall attachments as detailed.
 - G. Install supplementary framing for floor and roof openings greater than 8 inches.

DIVISION 5 - STRUCTURAL STEEL

SECTION 05210 - STEEL JOIST FRAMING

- H. Do not permit erection of decking until joists are braced, bridged, and secured or until completion of erection and installation of permanent bridging and bracing.
 - I. Do not field cut or alter structural members without approval of joist manufacturer.
 - J. After erection, prime welds, damaged shop primer, and surfaces not shop primed, except surfaces specified not to be primed.
- 3.03 Tolerances
- A. Maximum Variation From Plumb: 1/4 inch.
 - B. Maximum Offset From True Alignment: 1/4 inch.
- 3.04 Field Quality Control
- A. An independent testing agency will perform Special Inspections and field quality control as required by Chapter 17 of ICC (IBC)-2015. Refer to the following parts of the structural drawings for additional Special Inspection requirements.
 - 1. Statement of Special Inspection Notes
 - 2. Table 1705.2.3 titled "Required Special Inspections of Open-Web Steel Joists and Joist Girders"

END OF SECTION

DIVISION 5 - STRUCTURAL STEEL

SECTION 05310 - STEEL DECKING

PART 1 - GENERAL

1.01 Section Includes

- A. Roof deck.
- B. Supplementary framing for openings up to and including 8 inches.
- C. Bearing plates and angles.

1.02 Related Requirements

- A. Section 05 1200 - Structural Steel Framing: Support framing for openings larger than 8 inches and shear stud connectors.
- B. Section 05 2100 - Steel Joist Framing: Support framing for openings larger than 8 inches.
- C. Section 05 5000 - Metal Fabrications: Steel angle concrete stops at deck edges.

1.03 Reference Standards

- A. For all reference standards listed below, comply with the version year in the governing building code adopted by the Authority Having Jurisdiction. For those reference standards that are not directly referenced by the building code, use the latest edition unless noted otherwise.
- B. ASTM A36/A36M - Standard Specification for Carbon Structural Steel.
- C. ASTM A123/A123M - Standard Specification for Zinc (Hot-Dip Galvanized) Coatings on Iron and Steel Products.
- D. ASTM A653/A653M - Standard Specification for Steel Sheet, Zinc-Coated (Galvanized) or Zinc-Iron Alloy-Coated (Galvannealed) by the Hot-Dip Process.
- E. AWS D1.1/D1.1M - Structural Welding Code - Steel.
- F. AWS D1.3/D1.3M - Structural Welding Code - Sheet Steel.
- G. ICC (IBC)-2015 - International Building Code.
- H. SDI (DM) - Publication No.30, Design Manual for Composite Decks, Form Decks, and Roof Decks.
- I. SDI (QA/QC) - Standard for Quality Control and Quality Assurance for Installation of Steel Deck.
- J. SSPC-Paint 20 - Zinc-Rich Primers (Type I, "Inorganic," and Type II, "Organic").

1.04 Submittals

- A. See Section 01 3000 - Administrative Requirements, for submittals procedures.
- B. Product Data: Provide deck profile characteristics, dimensions, structural properties, and finishes.
- C. Shop Drawings: Indicate deck plan, support locations, projections, openings, reinforcement, pertinent details, and accessories.
- D. Submit manufacturer's installation instructions.

DIVISION 5 - STRUCTURAL STEEL

SECTION 05310 - STEEL DECKING

- E. Welders Certificates: Certify welders employed on the Work, verifying AWS qualification within the previous 12 months.
- 1.05 Quality Assurance
- A. Special inspections and qualification of welding special inspectors for cold-formed steel floor and roof deck shall be in accordance with the quality assurance inspection requirements of SDI (QA/QC).
 - B. Installer Qualifications: Company specializing in performing the work of this Section with minimum 5 years of experience.
- 1.06 Delivery, Storage, And Handling
- A. Cut plastic wrap to encourage ventilation.
 - B. Separate sheets and store deck on dry wood sleepers; slope for positive drainage.

PART 2 - PRODUCTS

- 2.01 Steel Deck
- A. Roof Deck: Non-composite type, fluted steel sheet:
 - 1. Galvanized Steel Sheet: ASTM A653/A653M, Structural Steel (SS) Grade 33/230, with G60/Z180 galvanized coating.
 - 2. Structural Properties: As indicated in General Notes.
- 2.02 Accessory Materials
- A. Bearing Plates and Angles: ASTM A36/A36M steel, galvanized per ASTM A123/A123M.
 - B. Welding Materials: AWS D1.1/D1.1M.
 - C. Mechanical Fasteners: Steel; hex washer head, self-drilling, self-tapping.
 - D. Touch-Up Primer for Galvanized Surfaces: SSPC-Paint 20, complying with VOC limitations of authorities having jurisdiction.
 - E. Flute Closures: Closed cell foam rubber, 1 inch thick; profiled to fit tight to the deck.
- 2.03 Fabricated Deck Accessories
- A. Sheet Metal Deck Accessories: Metal closure strips, wet concrete stops, and cover plates, 20 gauge, 0.0359 inch thick sheet steel; of profile and size as indicated; finished same as deck.
 - B. Roof Sump Pans: Formed sheet steel, 14 gauge, 0.0747 inch minimum thickness, flat bottom, sloped sides, recessed 1-1/2 inches below roof deck surface, bearing flange 3 inches wide, sealed watertight.

DIVISION 5 - STRUCTURAL STEEL

SECTION 05310 - STEEL DECKING

PART 3 - EXECUTION

3.01 Examination

- A. Verify existing conditions prior to beginning work.

3.02 Installation

- A. Erect metal deck in accordance with SDI Design Manual and manufacturer's instructions. Align and level.
- B. On concrete and masonry surfaces provide minimum 4 inch bearing.
- C. On steel supports provide minimum 2 inch bearing at discontinuous ends of deck and minimum 3 inch bearing length of continuous roof deck over interior supports.
- D. Fasten deck to steel support members as indicated at spacings indicated on the drawings using methods specified.
- E. Drive mechanical sidelap connectors completely through adjacent lapped sheets; positively engage adjacent sheets with minimum three-thread penetration.
- F. Where roof deck changes direction, install 6 inch minimum wide sheet steel cover plates, of same thickness as deck. Attach both sides of cover plate to roof deck below with the same fasteners and spacings as required for deck to supports.
- G. Close openings above walls and partitions perpendicular to deck flutes with single row of foam cell closures.
- H. Position roof drain pans with flange bearing on top surface of deck. Fusion weld at each deck flute.

3.03 Field Quality Control

- A. An independent testing agency will perform Special Inspections and field quality control tests as required by Chapter 17 of ICC (IBC)-2015 and SDI (QA/QC). Refer to the following parts of the structural drawings for additional Special Inspection requirements:
 - 1. Statement of Special Inspection Notes
 - 2. Table titled "Required Inspection of Cold-Formed Steel Deck"
- B. Concurrent with the submittal of special inspection reports to the Owner's Representative, the special inspector shall submit to the Owner's Representative and the Installer a list of nonconforming items.

END OF SECTION

DIVISION 5 - METALS

SECTION 05400 - COLD-FORMED METAL FRAMING

PART 1 - GENERAL

1.01 Related Documents

- A. Drawings and general provisions of the Contract, including General and Supplementary Conditions and Division 1 Specification Sections, apply to this Section.

1.02 Summary

- A. This Section includes the following:
 - 1. Exterior and interior non-load-bearing wall framing.
 - 2. Soffit joist framing.
- B. Related Sections include the following:
 - 1. Division 5 Section "Metal Fabrications" for masonry shelf angles and connections.
 - 2. Division 9 Section "Gypsum Board Assemblies" for interior non-load-bearing, metal-stud framing and ceiling-suspension assemblies.

1.03 Performance Requirements

- A. Structural Performance: Provide cold-formed metal framing capable of withstanding design loads within limits and under conditions indicated.
 - 1. Design Loads: Design loads shall be calculated components and cladding load per ASCE/SEI 7 edition indicated on the drawings.
 - 2. Deflection Limits: Design framing systems to withstand design loads without deflections greater than the following:
 - a. Exterior Non-Load-Bearing Framing: Horizontal deflection of $1/600$ of wall height at areas backing up brick veneer, and $1/240$ of wall height at areas backing up other materials.
 - b. Soffit Joist Framing: Vertical deflection of $1/240$ of the span.
 - 3. Design framing system to maintain clearances at openings, to allow for construction tolerances, and to accommodate live load deflection of primary building structure as follows:
 - a. Upward and downward movement of 1 inch.
- B. Cold-Formed Steel Framing, General: Design according to AISI's "Standard for Cold-Formed Steel Framing - General Provisions."
 - 1. Headers: Design according to AISI's "Standard for Cold-Formed Steel Framing - Header Design."
 - 2. Design exterior non-load-bearing wall framing to accommodate horizontal deflection without regard for contribution of sheathing materials.

DIVISION 5 - METALS

SECTION 05400 - COLD-FORMED METAL FRAMING

1.04 Submittals

- A. Product Data: For each type of cold-formed metal framing product and accessory indicated.
- B. Shop Drawings: Show layout, spacings, sizes, thicknesses, and types of cold-formed metal framing; fabrication; and fastening and anchorage details, including mechanical fasteners. Show reinforcing channels, opening framing, supplemental framing, strapping, bracing, bridging, splices, accessories, connection details, and attachment to adjoining work.
 - 1. For cold-formed metal framing indicated to comply with design loads, include structural analysis data signed and sealed by the qualified professional engineer responsible for their preparation.
- C. Welding certificates.
- D. Research/Evaluation Reports: For cold-formed metal framing.

1.05 Quality Assurance

- A. Engineering Responsibility: Preparation of Shop Drawings, design calculations, and other structural data by a qualified professional engineer.
- B. Professional Engineer Qualifications: A professional engineer who is legally qualified to practice in jurisdiction where Project is located and who is experienced in providing engineering services of the kind indicated. Engineering services are defined as those performed for installations of cold-formed metal framing that are similar to those indicated for this Project in material, design, and extent.
- C. Welding: Qualify procedures and personnel according to AWS D1.1/D1.1M, "Structural Welding Code--Steel," and AWS D1.3, "Structural Welding Code--Sheet Steel."
- D. AISI Specifications and Standards: Comply with AISI's "North American Specification for the Design of Cold-Formed Steel Structural Members" and its "Standard for Cold-Formed Steel Framing - General Provisions."
 - 1. Comply with AISI's "Standard for Cold-Formed Steel Framing - Truss Design."
 - 2. Comply with AISI's "Standard for Cold-Formed Steel Framing - Header Design."

1.06 Delivery, Storage, And Handling

- A. Protect cold-formed metal framing from corrosion, deformation, and other damage during delivery, storage, and handling.
- B. Store cold-formed metal framing, protect with a waterproof covering, and ventilate to avoid condensation.

DIVISION 5 - METALS

SECTION 05400 - COLD-FORMED METAL FRAMING

PART 2 - PRODUCTS

2.01 Manufacturers

- A. Available Manufacturers: Subject to compliance with requirements, manufacturers offering cold-formed metal framing that may be incorporated into the Work include, but are not limited to, the following:
1. Allied Studco.
 2. AllSteel Products, Inc.
 3. California Expanded Metal Products Company.
 4. Clark Steel Framing.
 5. Consolidated Fabricators Corp.; Building Products Division.
 6. Craco Metals Manufacturing, LLC.
 7. Custom Stud, Inc.
 8. Dale/Incor.
 9. Design Shapes in Steel.
 10. Dietrich Metal Framing; a Worthington Industries Company.
 11. Formetal Co. Inc. (The).
 12. Innovative Steel Systems.
 13. MarinoWare; a division of Ware Industries.
 14. Quail Run Building Materials, Inc.
 15. SCAFCO Corporation.
 16. Southeastern Stud & Components, Inc.
 17. Steel Construction Systems.
 18. Steeler, Inc.
 19. Super Stud Building Products, Inc.
 20. United Metal Products, Inc.

2.02 Materials

- A. Steel Sheet: ASTM A 1003/A 1003M, Structural Grade, Type H, metallic coated, of grade and coating weight as follows:
1. Grade: ST33H (ST230H).
 2. Coating: G60 (Z180).
- B. Steel Sheet for Vertical Deflection Clips: ASTM A 653/A 653M, structural steel, zinc coated, of grade and coating as follows:
1. Grade: 50 (340), Class 1 or 2.
 2. Coating: G90 (Z275).

2.03 Exterior Non-Load-Bearing Wall Framing

- A. Steel Studs: Manufacturer's standard C-shaped steel studs, of web depths indicated, punched, with stiffened flanges, and as follows:
1. Minimum Base-Metal Thickness: 0.0428 inches (1.09 mm).
 2. Flange Width: 1-5/8 inches (41 mm).

DIVISION 5 - METALS

SECTION 05400 - COLD-FORMED METAL FRAMING

- B. Steel Track: Manufacturer's standard U-shaped steel track, of web depths indicated, unpunched, with unstiffened flanges, and as follows:
 - 1. Minimum Base-Metal Thickness: 0.0538 inches (1.37 mm)
 - 2. Flange Width: 1-1/2 inches.
- C. Vertical Deflection Clip Option: Manufacturer's standard head clips, capable of accommodating upward and downward vertical displacement of primary structure through positive mechanical attachment to stud web.
 - 1. Available Manufacturers: Subject to compliance with requirements, manufacturers offering products that may be incorporated into the Work include, but are not limited to, the following:
 - a. Dietrich Metal Framing; a Worthington Industries Company.
 - b. MarinoWare, a division of Ware Industries.
 - c. SCAFCO Corporation
 - d. The Steel Network, Inc.
- D. Single Deflection Track Option: Manufacturer's single, deep-leg, U-shaped steel track; unpunched, with unstiffened flanges, of web depth to contain studs while allowing free vertical movement, with flanges designed to support horizontal and lateral loads and transfer them to the primary structure, and as follows:
 - 1. Minimum Base-Metal Thickness: 0.0538 inch (1.37 mm).
 - 2. Flange Width: 1 inch (25 mm) plus the design gap for 1-story structures and 1 inch (25 mm) plus twice the design gap for other applications.
- E. Double Deflection Track Option: Manufacturer's double, deep-leg, U-shaped steel tracks, consisting of nested inner and outer tracks; unpunched, with unstiffened flanges.
 - 1. Outer Track: Of web depth to allow free vertical movement of inner track, with flanges designed to support horizontal and lateral loads and transfer them to the primary structure, and as follows:
 - a. Minimum Base-Metal Thickness: 0.0538 inch (1.37 mm).
 - b. Flange Width: 1 inch (25 mm) plus the design gap for 1-story structures and 1 inch (25 mm) plus twice the design gap for other applications.
 - 2. Inner Track: Of web depth indicated, and as follows:
 - a. Minimum Base-Metal Thickness: 0.0428 inch (1.09 mm).
 - b. Flange Width: Equal to sum of outer deflection track flange width plus 1 inch.

DIVISION 5 - METALS

SECTION 05400 - COLD-FORMED METAL FRAMING

2.04 Soffit Joist Framing

- A. Steel Ceiling Joists: Manufacturer's standard C-shaped steel sections, of web depth indicated, unpunched, with stiffened flanges, and as follows:
 - 1. Minimum Base-Metal Thickness: As indicated on drawings.
 - 2. Flange Width: 1-5/8 inches (41 mm) minimum.

2.05 Framing Accessories

- A. Fabricate steel-framing accessories from steel sheet, ASTM A 1003/A 1003M, Structural Grade, Type H, metallic coated, of same grade and coating weight used for framing members.
- B. Provide accessories of manufacturer's standard thickness and configuration, unless otherwise indicated, as follows:
 - 1. Supplementary framing.
 - 2. Bracing, bridging, and solid blocking.
 - 3. Web stiffeners.
 - 4. Anchor clips.
 - 5. End clips.
 - 6. Foundation clips.
 - 7. Gusset plates.
 - 8. Stud kickers, knee braces, and girts.
 - 9. Joist hangers and end closures.
 - 10. Hole reinforcing plates.
 - 11. Backer plates.

2.06 Anchors, Clips, And Fasteners

- A. Anchor Bolts: ASTM F 1554, Grade 55, threaded carbon-steel headless bolts, with encased end threaded, and carbon-steel nuts; and flat, hardened-steel washers; zinc coated by hot-dip process according to ASTM A 153/A 153M, Class C or mechanically deposition according to ASTM B 695, Class 50.
- B. Expansion Anchors: Fabricated from corrosion-resistant materials, with capability to sustain, without failure, a load equal to 5 times design load, as determined by testing per ASTM E 488 conducted by a qualified independent testing agency.
- C. Power-Actuated Anchors: Fastener system of type suitable for application indicated, fabricated from corrosion-resistant materials, with capability to sustain, without failure, a load equal to 5 times design load, as determined by testing per ASTM E 1190 conducted by a qualified independent testing agency.
- D. Mechanical Fasteners: ASTM C 1513, corrosion-resistant-coated, self-drilling, self-tapping steel drill screws.
 - 1. Head Type: Low-profile head beneath sheathing, manufacturer's standard elsewhere.
- E. Welding Electrodes: Comply with AWS standards.

DIVISION 5 - METALS

SECTION 05400 - COLD-FORMED METAL FRAMING

2.07 Miscellaneous Materials

- A. Galvanizing Repair Paint: ASTM A 780.
- B. Nonmetallic, Nonshrink Grout: Premixed, nonmetallic, noncorrosive, nonstaining grout containing selected silica sands, portland cement, shrinkage-compensating agents, and plasticizing and water-reducing agents, complying with ASTM C 1107, with fluid consistency and 30-minute working time.
- C. Shims: Load bearing, high-density multimonomer plastic, nonleaching.
- D. Sealer Gaskets: Closed-cell neoprene foam, 1/4 inch (6.4 mm) thick, selected from manufacturer's standard widths to match width of bottom track or rim track members.

2.08 Fabrication

- A. Fabricate cold-formed metal framing and accessories plumb, square, and true to line, and with connections securely fastened, according to referenced AISI's specifications and standards, manufacturer's written instructions, and requirements in this Section.
 - 1. Fabricate framing assemblies using jigs or templates.
 - 2. Cut framing members by sawing or shearing; do not torch cut.
 - 3. Fasten cold-formed metal framing members by welding, screw fastening, clinch fastening, or riveting as standard with fabricator. Wire tying of framing members is not permitted.
 - a. Comply with AWS D1.3 requirements and procedures for welding, appearance and quality of welds, and methods used in correcting welding work.
 - b. Locate mechanical fasteners and install according to Shop Drawings, with screw penetrating joined members by not less than three exposed screw threads.
 - 4. Fasten other materials to cold-formed metal framing by welding, bolting, or screw fastening, according to Shop Drawings.
- B. Reinforce, stiffen, and brace framing assemblies to withstand handling, delivery, and erection stresses. Lift fabricated assemblies to prevent damage or permanent distortion.
- C. Fabrication Tolerances: Fabricate assemblies level, plumb, and true to line to a maximum allowable tolerance variation of 1/8 inch in 10 feet (1:960) and as follows:
 - 1. Spacing: Space individual framing members no more than plus or minus 1/8 inch (3 mm) from plan location. Cumulative error shall not exceed minimum fastening

DIVISION 5 - METALS

SECTION 05400 - COLD-FORMED METAL FRAMING

requirements of sheathing or other finishing materials.

2. Squareness: Fabricate each cold-formed metal framing assembly to a maximum out-of-square tolerance of 1/8 inch (3 mm).

PART 3 - EXECUTION

3.01 Examination

- A. Examine supporting substrates and abutting structural framing for compliance with requirements for installation tolerances and other conditions affecting performance.
 1. Proceed with installation only after unsatisfactory conditions have been corrected.

3.02 Installation, General

- A. Cold-formed metal framing may be shop or field fabricated for installation, or it may be field assembled.
- B. Install cold-formed metal framing according to AISI's "Standard for Cold-Formed Steel Framing - General Provisions" and to manufacturer's written instructions unless more stringent requirements are indicated.
- C. Install shop- or field-fabricated, cold-formed framing and securely anchor to supporting structure.
 1. Screw, bolt, or weld wall panels at horizontal and vertical junctures to produce flush, even, true-to-line joints with maximum variation in plane and true position between fabricated panels not exceeding 1/16 inch (1.6 mm).
- D. Install cold-formed metal framing and accessories plumb, square, and true to line, and with connections securely fastened.
 1. Cut framing members by sawing or shearing; do not torch cut.
 2. Fasten cold-formed metal framing members by welding, screw fastening, clinch fastening, or riveting. Wire tying of framing members is not permitted.
 - a. Comply with AWS D1.3 requirements and procedures for welding, appearance and quality of welds, and methods used in correcting welding work.
 - b. Locate mechanical fasteners and install according to Shop Drawings, and complying with requirements for spacing, edge distances, and screw penetration.
- E. Install framing members in one-piece lengths unless splice connections are indicated for track or tension members.
- F. Install temporary bracing and supports to secure framing and support loads comparable in intensity to those for

DIVISION 5 - METALS

SECTION 05400 - COLD-FORMED METAL FRAMING

which structure was designed. Maintain braces and supports in place, undisturbed, until entire integrated supporting structure has been completed and permanent connections to framing are secured.

- G. Do not bridge building expansion and control joints with cold-formed metal framing. Independently frame both sides of joints.
- H. Install insulation, specified in Division 7 Section "Building Insulation," in built-up exterior framing members, such as headers, sills, boxed joists, and multiple studs at openings, that are inaccessible on completion of framing work.
- I. Fasten hole reinforcing plate over web penetrations that exceed size of manufacturer's standard punched openings.
- J. Erection Tolerances: Install cold-formed metal framing level, plumb, and true to line to a maximum allowable tolerance variation of 1/8 inch in 10 feet (1:960) and as follows:
 - 1. Space individual framing members no more than plus or minus 1/8 inch (3 mm) from plan location. Cumulative error shall not exceed minimum fastening requirements of sheathing or other finishing materials.

3.03 Exterior Non-Load-Bearing Wall Installation

- A. Install continuous tracks sized to match studs. Align tracks accurately and securely anchor to supporting structure as indicated.
- B. Fasten both flanges of studs to bottom track, unless otherwise indicated. Fast both flanges to top track if required by deflection option selected. Space studs as follows:
 - 1. Stud Spacing: 16 inches (406 mm).
- C. Set studs plumb, except as needed for diagonal bracing or required for nonplumb walls or warped surfaces and similar requirements.
- D. Isolate non-load-bearing steel framing from building structure to prevent transfer of vertical loads while providing lateral support.
 - 1. Single Deflection Track Option: Install single-leg deflection tracks and anchor to building structure.
 - 2. Double Deflection Track Option: Install double deep-leg deflection tracks and anchor outer track to building structure.
 - 3. Deflection Clip Option: Connect vertical deflection clips to infill studs and anchor to building structure.

DIVISION 5 - METALS

SECTION 05400 - COLD-FORMED METAL FRAMING

- E. Install horizontal bridging in wall studs, spaced in rows indicated on Shop Drawings but not more than 48 inches (1220 mm) apart. Fasten at each stud intersection.
 - 1. Top Bridging for Single Deflection Track Option:
Install row of horizontal bridging within 12 inches (305 mm) of single deflection track. Install a combination of flat, taut, steel sheet straps of width and thickness indicated and stud or stud-track solid blocking of width and thickness matching studs. Fasten flat straps to stud flanges and secure solid blocking to stud webs or flanges.
 - a. Install solid blocking at maximum 96-inch (2440-mm) centers and as shown on approved Shop Drawings.
 - 2. Bridging Options:
 - a. Cold-rolled steel channel, welded or mechanically fastened to webs of punched studs.
 - b. Combination of flat, taut, steel sheet straps of width and thickness indicated and stud-track solid blocking of width and thickness to match studs. Fasten flat straps to stud flanges and secure solid blocking to stud webs or flanges.
 - c. Proprietary bridging bars installed according to manufacturer's written instructions.
 - F. Install miscellaneous framing and connections, including stud kickers, web stiffeners, clip angles, continuous angles, anchors, fasteners, and stud girts, to provide a complete and stable wall-framing system.
- 3.04 Joist Installation
- A. Install perimeter joist track sized to match joists. Align and securely anchor or fasten track to supporting structure at corners, ends, and spacings indicated on Shop Drawings.
 - B. Install joists bearing on supporting frame, level, straight, and plumb; adjust to final position, brace, and reinforce. Fasten joists to both flanges of joist track.
 - 1. Unless shown otherwise in drawings, install joists over supporting frame with a minimum end bearing of 1-1/2 inches (38 mm).
 - 2. Reinforce ends and bearing points of joists with web stiffeners, end clips, joist hangers, steel clip angles, or steel-stud sections as indicated on drawings.
 - C. Space joists not more than 2 inches (51 mm) from abutting walls, and as follows:
 - 1. Joist Spacing: As indicated.

DIVISION 5 - METALS

SECTION 05400 - COLD-FORMED METAL FRAMING

- D. Frame openings with built-up joist headers consisting of joist and joist track, nesting joists, or another combination of connected joists if indicated.
 - E. Install bridging at intervals indicated. Fasten bridging at each joist intersection as follows:
 - 1. Bridging: Joist-track solid blocking of width and thickness indicated, secured to joist webs.
 - F. Install miscellaneous joist framing and connections, including web stiffeners, closure pieces, clip angles, continuous angles, hold-down angles, anchors, and fasteners, to provide a complete and stable joist-framing assembly.
- 3.05 Field Quality Control
- A. Testing: Owner will engage a qualified independent testing and inspecting agency to perform field tests and inspections and prepare test reports.
 - B. Field and shop welds will be subject to testing and inspecting.
 - C. Testing agency will report test results promptly and in writing to Contractor and Architect.
 - D. Remove and replace work where test results indicate that it does not comply with specified requirements.
 - E. Additional testing and inspecting, at Contractor's expense, will be performed to determine compliance of replaced or additional work with specified requirements.
- 3.06 Repairs And Protection
- A. Galvanizing Repairs: Prepare and repair damaged galvanized coatings on fabricated and installed cold-formed metal framing with galvanized repair paint according to ASTM A 780 and manufacturer's written instructions.
 - B. Provide final protection and maintain conditions, in a manner acceptable to manufacturer and installer that ensures the cold-formed metal framing is without damage or deterioration at time of Substantial Completion.

END OF SECTION

DIVISION 5 - STRUCTURAL STEEL

SECTION 05500 - METAL FABRICATIONS

PART 1 - GENERAL

1.01 Section Includes

- A. Shop fabricated steel items.

1.02 Related Requirements

- A. Section 03 3000 - Cast-in-Place Concrete: Placement of metal fabrications in concrete.
- B. Section 04 2000 - Unit Masonry: Placement of metal fabrications in masonry.
- C. Section 05 1200 - Structural Steel Framing: Structural steel column anchor bolts.
- D. Section 05 2100 - Steel Joist Framing: Structural joist bearing plates, including anchorage.
- E. Section 05 3100 - Steel Decking: Bearing plates for metal deck bearing, including anchorage.
- F. Section 05 5100 - Metal Stairs.

1.03 Reference Standards

- A. For all reference standards listed below, comply with the version year in the governing building code adopted by the Authority Having Jurisdiction. For those reference standards that are not directly referenced by the building code, use the latest edition unless noted otherwise.
- B. ASTM A36/A36M - Standard Specification for Carbon Structural Steel.
- C. ASTM A53/A53M - Standard Specification for Pipe, Steel, Black and Hot-Dipped, Zinc-Coated, Welded and Seamless.
- D. ASTM A123/A123M - Standard Specification for Zinc (Hot-Dip Galvanized) Coatings on Iron and Steel Products.
- E. ASTM A283/A283M - Standard Specification for Low and Intermediate Tensile Strength Carbon Steel Plates.
- F. ASTM A307 - Standard Specification for Carbon Steel Bolts, Studs, and Threaded Rod 60 000 PSI Tensile Strength.
- G. ASTM A501/A501M - Standard Specification for Hot-Formed Welded and Seamless Carbon Steel Structural Tubing.
- H. ASTM F3125/F3125M - Standard Specification for High Strength Structural Bolts and Assemblies, Steel and Alloy Steel, Heat Treated, Inch Dimensions 120 ksi and 150 ksi Minimum Tensile Strength, and Metric Dimensions 830 MPa and 1040 MPa Minimum Tensile Strength.
- I. AWS A2.4 - Standard Symbols for Welding, Brazing, and Nondestructive Examination.
- J. AWS D1.1/D1.1M - Structural Welding Code - Steel.
- K. MPI #79 - Primer, Alkyd, Anti-Corrosive for Metal.
- L. SSPC-Paint 20 - Zinc-Rich Primers (Type I, "Inorganic," and Type II, "Organic").

DIVISION 5 - STRUCTURAL STEEL

SECTION 05500 - METAL FABRICATIONS

1.04 Submittals

- A. See Section 01 3000 - Administrative Requirements, for submittal procedures.
- B. Shop Drawings: Indicate profiles, sizes, connection attachments, reinforcing, anchorage, size and type of fasteners, and accessories. Include erection drawings, elevations, and details where applicable.
 - 1. Indicate welded connections using standard AWS A2.4 welding symbols. Indicate net weld lengths.
 - 2. Design data: Submit drawings and supporting calculations, signed and sealed by a qualified professional structural engineer.
 - a. Include the following, as applicable:
 - 1) Design criteria.
 - 2) Engineering analysis depicting stresses and deflections.
 - 3) Member sizes and gauges.
 - 4) Details of connections.
 - 5) Support reactions.
 - 6) Bracing requirements.

PART 2 - PRODUCTS

2.01 Materials - Steel

- A. Steel Sections: ASTM A36/A36M.
- B. Steel Tubing: ASTM A501/A501M hot-formed structural tubing.
- C. Plates: ASTM A283/A283M.
- D. Pipe: ASTM A53/A53M, Grade B Schedule 40, black finish.
- E. Mechanical Fasteners: Same material as or compatible with materials being fastened; type consistent with design and specified quality level.
- F. Bolts, Nuts, and Washers: ASTM A307, Grade A, plain.
- G. Bolts, Nuts, and Washers: ASTM F3125/F3125M, Type 1, plain.
- H. Welding Materials: AWS D1.1/D1.1M; type required for materials being welded.
- I. Shop and Touch-Up Primer: As required below, complying with VOC limitations of authorities having jurisdiction.
 - 1. Steel Exposed to Exterior Weather or an Uncontrolled Environment: Two-component, high performance, zinc-rich, aromatic urethane, compatible with topcoat and complying with SSPC-Paint 20.
 - 2. Interior Steel: Fabricator's standard lead- and chromate-free, non-asphaltic, rust-inhibiting primer complying with MPI #79 and compatible with topcoat.

DIVISION 5 - STRUCTURAL STEEL

SECTION 05500 - METAL FABRICATIONS

- J. Touch-Up Primer for Galvanized Surfaces: SSPC-Paint 20, complying with VOC limitations of authorities having jurisdiction.
- 2.02 Fabrication
- A. Fit and shop assemble items in largest practical sections, for delivery to site.
 - B. Fabricate items with joints tightly fitted and secured.
 - C. Grind exposed joints flush and smooth with adjacent finish surface. Make exposed joints butt tight, flush, and hairline. Ease exposed edges to small uniform radius.
 - D. Supply components required for anchorage of fabrications. Fabricate anchors and related components of same material and finish as fabrication, except where specifically noted otherwise.
- 2.03 Fabricated Items
- A. Ledge Angles, Shelf Angles, Channels, and Plates Not Attached to Structural Framing: For support of metal decking and joists; prime paint finish.
 - B. Lintels: As detailed; prime paint finish.
 - C. Door Frames for Overhead Door Openings and Wall Openings: Channel sections; prime paint finish.
 - D. Elevator Hoistway Divider Beams: Beam sections; prime paint finish.
 - E. Toilet Partition Suspension Members: Steel channel sections; prime paint finish.
- 2.04 Finishes - Steel
- A. Prime paint steel items.
 - 1. Exceptions: Galvanize items to be embedded in concrete and items to be embedded in masonry.
 - 2. Exceptions: Do not prime surfaces in direct contact with concrete, where field welding is required, and items to be covered with sprayed fireproofing.
 - B. Prepare surfaces to be primed in accordance with SSPC-SP3 for interior steel or SSPC-SP6 for all steel exposed to exterior weather or an uncontrolled environment.
 - C. Clean surfaces of rust, scale, grease, and foreign matter prior to finishing.
 - D. Prime Painting: One coat.
 - E. Galvanizing of Structural Steel Members: Galvanize after fabrication to ASTM A123/A123M requirements. Provide minimum 1.7 oz/sq ft galvanized coating.
 - F. Galvanizing of Non-structural Items: Galvanize after fabrication to ASTM A123/A123M requirements.
- 2.05 Fabrication Tolerances
- A. Squareness: 1/8 inch maximum difference in diagonal measurements.
 - B. Maximum Offset Between Faces: 1/16 inch.

DIVISION 5 - STRUCTURAL STEEL

SECTION 05500 - METAL FABRICATIONS

- C. Maximum Misalignment of Adjacent Members: 1/16 inch.
- D. Maximum Bow: 1/8 inch in 48 inches.
- E. Maximum Deviation From Plane: 1/16 inch in 48 inches.

PART 3 - EXECUTION

3.01 Examination

- A. Verify that field conditions are acceptable and are ready to receive work.

3.02 Preparation

- A. Clean and strip primed steel items to bare metal where site welding is required.
- B. Supply setting templates to the appropriate entities for steel items required to be cast into concrete or embedded in masonry.

3.03 Installation

- A. Install items plumb and level, accurately fitted, free from distortion or defects.
- B. Provide for erection loads, and for sufficient temporary bracing to maintain true alignment until completion of erection and installation of permanent attachments.
- C. Field weld components as indicated on drawings.
- D. Perform field welding in accordance with AWS D1.1/D1.1M.
- E. Obtain approval prior to site cutting or making adjustments not scheduled.
- F. After erection, prime welds, abrasions, and surfaces not shop primed, except surfaces to be in contact with concrete.

3.04 Tolerances

- A. Maximum Variation From Plumb: 1/4 inch per story, non-cumulative.
- B. Maximum Offset From True Alignment: 1/4 inch.
- C. Maximum Out-of-Position: 1/4 inch.

END OF SECTION

DIVISION 6 - WOOD & PLASTIC

SECTION 06100 - ROUGH CARPENTRY

Part 1 - General

1.01 Work Included:

- A. All materials, labor, services and incidentals necessary for the completion of this section of the work.

1.02 Related Work Specified Elsewhere:

- A. Wood Treatment - Section 06300

1.03 Quality Assurance:

- A. Grades specified shall conform to the most recent grading rules as established by the following bureaus and associations.
 - 1. PS 20 - American Softwood Lumber Standard.
 - 2. Western Wood Products Association
 - 3. Southern Pine Inspection Bureau
- B. Grade and trade mark each piece of lumber or bundle on bundled stock. Use only the recognized official marks of association under whose rules it is graded. Grade and trade marks will not be required if each shipment is accompanied by certificate of inspection issued by grading association.

1.04 Submittals:

- A. Product Data: for each type of process and factory-fabricated product. Indicate component materials and dimensions and include construction and application details.
 - 1. Include data for wood preservative treatment from chemical treatment manufacturer and certification by treating plant that treated materials comply with requirements. Indicate type of preservative used, net amount of preservative retained, and chemical treatment manufacturer's written instructions for handling, storing, installing and finishing treated material.
 - 2. As requested by authorities having jurisdiction include data for fire-retardant treatment from chemical treatment manufacturer and certification by treating plant that treated materials comply with requirements. Include physical properties of treated materials both before and after exposure to elevated temperatures when tested according to ASTM D5516 and ASTM D 5664.
 - 3. Include copies of warranties from chemical treatment manufacturers for each type of treatment.

DIVISION 6 - WOOD & PLASTIC

SECTION 06100 - ROUGH CARPENTRY

4. Research / evaluation reports - for the following, showing compliance with building code in effect for Project:
 - a. Fire-retardant treated wood.
 - b. Power-driven fasteners.
 - c. Power-actuated fasteners.
 - d. Expansion anchors.
 - e. Metal framing anchors.

1.05 Delivery, Storage and Handling:

- A. Stack lumber, plywood, sheathing, and other materials: provide spacers between each bundle to provide air circulation around bundled material. Provide proper air circulation between stacks and under coverings.

Part 2 - Products

2.01 General:

- A. Provide best quality of respective grades and kinds. Lumber and plywood shall be produced from wood obtained from forests certified by an FSC-accredited certification body to comply with FSC STD-01-001, "FSC Principles and Criteria for Forest Stewardship". Factory mark each piece of lumber with grade stamp of grading agency.
- B. Maximum moisture content of lumber 19%.
- C. Provide dressed lumber (S4S) unless otherwise indicated.
- D. Where nominal sizes are indicated, provide actual sized required by DOC PS 20 for moisture content specified. Where actual sizes are indicated, they are minimum dressed sizes for dry lumber.

2.02 Grades and Applications of Lumber:

- A. Framing lumber for the following shall be "Standard" grade Douglas Fir (WCLIB or WWPA).
 1. Concealed blocking/nailers, cants, grounds, and miscellaneous wood items used in conjunction with the roofing work and as indicated on the Drawings.
 2. Provide dimension lumber of grades indicated according to the American Lumber Standards Committee National Grading Rule provisions of the Grading Agency indicated.

2.03 Fire-retardant Treated Materials:

- A. General - where fire-retardant treated materials are required by authorities having jurisdiction, provide materials that comply with performance requirements in AWPA C20 (lumber) and AWPA C27 (plywood). Identify fire-retardant treated wood with appropriate classification

DIVISION 6 - WOOD & PLASTIC

SECTION 06100 - ROUGH CARPENTRY

marking of UL, U.S. Testing, Timber Products Inspection, or another testing and inspecting agency acceptable to authorities having jurisdiction.

2.04 Panel Products:

- A. Miscellaneous Concealed Plywood: shear wall sheathing, span rating to suit framing in each location, and thickness indicated. Refer to Structural Drawings.
- B. Telephone and Electrical Equipment Backing Panels: DOC PS 1, C-D Plugged, fire-retardant treated, in thickness indicated, or if not indicated, not less than ½ inch thick.

2.05 Fasteners:

- A. All nails, spikes, bolts, connectors and other fasteners used in connections with this work shall be galvanized.
 - 1. Nails, wire, brads and staples - FS-FF-N-105.
 - 2. Power-driven Fasteners - CABO NER-272.
 - 3. Wood screws - ASME B18.6.1.
 - 4. Screws for fastening to cold formed metal framing: ASTM C954 length as recommended by screw manufacturer for material to be fastened.
 - 5. Lag bolts - ASME B18.2.1.
 - 6. Bolts - steel bolts complying with ASTM A 307, Grade A with ASTM C563 hex nuts and, where indicated, flat washers.
 - 7. Expansion anchors - anchor bolt and sleeve assembly of material indicated below with capability to sustain, without failure, a load equal to 4 times the load imposed when installed in concrete as determined by testing per ASTM E 488 conducted by a qualified independent testing and inspecting agency.
 - a. Material for interior applications: carbon steel components, zinc plated to comply with ASTM B 633, Class Fe/Zn 5.
 - b. Material for exterior applications: stainless steel with bolts and nuts complying with ASTM F 593 and ASTM F 594, alloy group 1 or 2.

2.06 Metal Framing Anchors:

- A. General: provide galvanized steel framing anchors of structural capacity, type, and size indicated and acceptable to authorities having jurisdiction.
- B. Galvanized Steel Sheet: hot-dip, zinc-coated steel sheet complying with ASTM A 653/A 653M, G60 coating designation.

DIVISION 6 - WOOD & PLASTIC

SECTION 06100 - ROUGH CARPENTRY

Part 3 - Execution

3.01 Sizes and Applications (General Framing):

- A. Members shall be accurately cut and fitted, true to line and level, avoiding shims and wedges as much as possible. Discard material with defects that impair quality of carpentry and that are too small to use with minimum number of joints or optimum joint arrangement.
- B. Where applicable, apply field treatment complying with AWPA M4 to cut surfaces of preservative-treated lumber and plywood.
- C. At wood ground, blocking and nailer installation: install where indicated and required for attaching other work. Form to shapes indicated and cut as required for true line and level of attached work. Coordinate locations with other work involved.
- D. Attach items to substrates to support applied loading. Recess bolts and nuts flush with surfaces, unless noted otherwise.

3.02 Rough Hardware:

- A. Provide all sufficient nails, screws, etc. to insure rigidity and structural soundness. Provide hot-dipped galvanized fasteners at all weather exposed locations.
- B. Spiking and nailing shall be done using largest size spikes and nails practicable and as indicated on the drawings. Securely attach carpentry according to applicable codes and recognized standards.
- C. Bolt nailers and blocking to steel or concrete members with bolts of proportionate strength of members attached, length required, spaced 4'-0" o.c. maximum and 4" from each end, except as otherwise indicated. Countersink fastener heads on exposed carpentry work and fill holes with wood fiber.
- D. Pre-drill members when necessary to avoid splitting of wood.

3.03 Panel Product Installation:

- A. Wood structural panels: comply with applicable recommendations contained in APA Form No. E30K, "APA Design/Construction Guide: Residential and Commercial", for types of structural-use panels and applications indicated. Comply with "Code Plus" provisions in above referenced guide.

End of Section

DIVISION 6 - WOOD & PLASTIC

SECTION 06200 - FINISH CARPENTRY

Part 1 - General

1.01 Work Included:

- A. All materials, labor, services and incidentals necessary for the completion of this section of the work.
- B. The erection of wall and partition wood finish materials, installation of door and hardware, and shelving incidentals necessary to finish the carpentry.

1.02 Related Work Specified Elsewhere:

- A. Wood Doors - Section 08200
- B. Hardware and Specialties - Section 08700

1.03 Quality Assurance:

- A. Standards:
 - 1. Architectural Woodwork Institute:
 - a. Architectural Woodwork Quality Standards.
 - 2. National Electrical Manufacturers Association:
 - a. NEMA Publication LD-1.
 - 3. Western Wood Products Association:
 - a. Standard Grading Rules for Western Lumber.
 - 4. American Plywood Association:

1.05 Product Delivery, Storage and Handling:

- A. All finish materials, trim, etc. shall be inspected to insure that no sub-grade, defective, or machine-marked pieces are installed.

Part 2 - Products

2.01 General:

- A. Grades specified shall conform to the most recent grading rules of the association or bureau under whose rules the lumber is produced.
- B. Quality standards specified shall conform to the latest edition of the Architectural Woodwork Institute's "Quality Standards".
- C. Lumber shall be kiln-dried to 10% to 12% moisture content which shall be maintained during the fabrication of millwork and cabinetry.

Part 3 - Execution

3.01 Miscellaneous Trim and Frames:

- A. Install all trim in longest possible lengths. Stagger joints in adjacent member. Cope at returns and miter at corners. Attach securely in place with fine finishing nails where exposed; set for filling.

DIVISION 6 - WOOD & PLASTIC

SECTION 06200 - FINISH CARPENTRY

- B. Immediately prior to final inspection of building, the contractor shall repair or replace all millwork or cabinetry items which have been damaged in any way.

End of Section

DIVISION 6 - WOOD & PLASTIC

SECTION 06300 - WOOD TREATMENT

Part 1 - General

1.01 Work Included:

- A. All materials, labor, services and incidentals necessary for the completion of this section of the work.

1.02 Quality Assurance:

- A. Standards:
 - 1. American Wood Preservers Association:
 - a. AWPA Standard P-5 (Preservative)
 - b. AWPA Standard Commodity Standards (Treating Process).
 - 2. Federal Specifications:
 - a. TT-W-550 (Preservative).
 - b. TT-W-571 (Treating Process).
- B. All lumber and plywood receiving wood treatment shall bear the trademark of the process used.
- C. Submit certificate and guarantee of the lumber treated.

Part 2 - Products

2.01 Materials:

- A. Description: Waterborne chemical salts intended for pressure impregnation as a wood preservative. Preservatives with a petroleum vehicle are not permitted.

Part 3 - Execution

3.01 Installation:

- A. Location of treated lumber:
 - 1. All blocking, plates, nailers and curbs used in conjunction with gravel guards, roof edges and all other wood components used in the roofing project.
- B. Materials shall be pressure treated in accordance with the standards of the American Wood Preservers Institute and the chemical manufacturer's specifications.
- C. Treated material shall conform to AWPB LD-2 and treated to a maximum retention of 0.23 pound of oxide per cubic foot.
- D. Moisture content of finish products shall not exceed 19%.

End of Section

DIVISION 6 - WOOD & PLASTICS

SECTION 06410 - CUSTOM CASEWORK

Part 1 - General

1.01 Section Includes:

- A. Special fabricated cabinet units as indicated on drawings.
- B. Countertops.
- C. Hardware
- D. Preparation for site finishing.
- E. Preparation for installing utilities.
- F. Related Documents: The Contract Documents apply to the Work of this Section. Additional requirements and information necessary to complete the Work of this Section may be found in other Documents.
- G. **NOTE: FRAMELESS CABINETS / EUROPEAN CONSTRUCTION STYLE CABINETS ARE ACCEPTABLE. Provide proposed details, etc. during shop drawing submittal phase for approval by Architect.**

1.02 Related Sections:

- A. Section 06100-Rough Carpentry: Grounds and support framing.
- B. Section 06200-Finish Carpentry: Related trim not specified in this section.
- C. Section 09900- Paints and Coatings: Finishing cabinet exterior and interior where applicable.

1.03 References:

- A. ANSI/BHMA A156.9-Cabinet Hardware.
- B. AWI-Quality Standards
- C. FS L-F 508-Plastic Sheet, Laminated, Decorative and non-Decorative.
- D. FS MM-L-736-Lumber, Hardware.
- E. FS MMM-A- 130-Adhesive, Contact.
- F. NEMA LD-3-High Pressure Decorative laminates.
- G. PS 1-Construction and Industrial Plywood.
- H. PS 20-American Softwood Lumber Standard.
- I. PS 51-Hardwood and Decorative Ply.

1.04 Submittals:

- A. Shop Drawings: Indicated materials, component profiles and elevations, assembly methods, joint details, fastening methods, accessory listings, hardware location, and schedule of finishes.

1.05 Quality Assurance: Perform work in accordance with AWI Custom quality.

1.06 Qualifications: Manufacturer: Company specializing in manufacturing the products specified in this section with minimum three years of experience.

1.07 Delivery, Storage, and Handling:

- A. Protect units from moisture damage.

DIVISION 6 - WOOD & PLASTICS

SECTION 06410 - CUSTOM CASEWORK

- B. Store materials in ventilated, interior locations under constant, minimum temperatures of 60 degrees F. And maximum relative humidity of 55 percent.
- 1.08 Field Measurements: Verify that field measurements are as indicated on shop drawings.
- 1.09 Coordination: coordinate work with plumbing and electrical rough-in.

Part 2 - Products

2.01 Wood Materials:

- A. Softwood Lumber:PS20; graded in accordance with AWI Custom; average moisture content of 6 percent; species and grades as follows:

| <u>Item</u> | <u>Species</u> | <u>Cut</u> |
|-----------------------|----------------|------------|
| Cabinet Frame | Douglas Fir | Economy |
| Internal Construction | Douglas Fir | Economy |
| Miscellaneous framing | Douglas Fir | Economy |
| Sub-Tops | Douglas Fir | Economy |

- B. Hardwood Lumber FS MM-L-736; graded in accordance with AWI Custom; average moisture content of 6 percent; species and grade as follows:

| <u>Item</u> | <u>Species</u> | <u>Cut</u> |
|--------------------------|----------------|------------|
| Exposed Stiles and Rails | Red Oak | Economy |
| Miscellaneous Trim | Red Oak | Economy |

2.02 Sheet Materials:

- A. Softwood Plywood: PS 1; graded in accordance with; core material of veneer or lumber, species and cut as follows:

| <u>Item</u> | <u>Face</u> | <u>Cut</u> |
|----------------------------|-------------|------------|
| Drawer Construction | Douglas Fir | Economy |
| Gables and Backs | Douglas Fir | Custom |
| Sub-tops | Douglas Fir | Economy |
| Non-sight exposed shelving | Douglas Fir | Custom |
| Miscellaneous | Douglas Fir | Custom |

- B. Hardwood Plywood: PS 51; AM graded in accordance with AWI; core material for veneer or lumber; type of glue recommended for application; face veneer and cuts as follows:

DIVISION 6 - WOOD & PLASTICS

SECTION 06410 - CUSTOM CASEWORK

| <u>Item</u> | <u>Face Species</u> | <u>Cut</u> |
|------------------------|---------------------|------------|
| Door and Drawer Fronts | Red Oak | Economy |
| Drawer Construction | Red Oak | Economy |
| Gable and Backs | Red Oak | Economy |

- C. Wood Particles-PS 1;AM standard, composed of wood= chips, medium density, made with high waterproof resin binders; of grade to suit application; sanded faces, located as follows:

Item
Drawer Construction

- D. Hardboard: Pressed wood fiber with resin binder, tempered grade, 1/4 inch thick, smooth one side, located as follows:

Item
Drawer Bottoms

2.03 Laminated Materials: Plastic Laminated: NEW LD-T; 00550 inch General Purpose Grade; suede surface finish, color and pattern as selected by Architect. All sight exposed surfaces (excluding countertops and backsplash) for cabinets to be laminate finished.

2.04 Accessories:

- A. Adhesive: FS MMM-A-130 contact adhesive, water base type, recommended by laminate manufacturer to suit application.
- B. Fasteners: Size and type to suit application.
- C. Bolts, Nuts, Washers, Lags, Pins and Screws: Of size and type to suit application; galvanized finish in concealed locations and cadmium plated finish in exposed locations.
- D. Concealed Joint Fasteners: Threaded steel.
- E. Lumber for Shimming, Blocking, and Miscellaneous Applications: Softwood lumber of Douglas Fir species.
- F. Primer. Alkyd primer sealer type.
- G. Wood filler: Solvent base, tinted to match surface finish color.
- H. Plastic Grommets: provide at openings in countertop as indicated on the Drawings. Color to be "black".

2.05 Architectural Cabinet Solid Surface Tops (Countertops):

- A. Design Load: deflection limited to 1/360.
- B. Type of Top: homogeneous solid sheets of filled plastic resin complying with the following:
 - 1. Colors and Patterns: as selected by Architect from manufacturer's full range.
 - 2. Special Features: eased edge treatment.
 - 3. Accessories:

DIVISION 6 - WOOD & PLASTICS

SECTION 06410 - CUSTOM CASEWORK

- a. Adhesives: for seams and drop edges, Formica Solid Surfacing Seaming Cartridges, 9 ounce, color to blend with sheet material.
 4. Fabrication: assemble work at shop and deliver to job ready for installation. Manufacture in largest practical pieces for handling and shipping without seams.
 - a. Fabricate work square and to required lines.
 - b. Recess and conceal fasteners connections and reinforcing.
 - c. Design, construction, and installation: details to allow for expansion and contraction of materials. Properly install material with hairline joints held rigidly in place.
 - d. Fabricate countertops and vanities with back splash and side splash pieces to profiles and sizes indicated.
 - e. Fabricate items to profiles shown with connections and supports as indicated or as required for complete installation in accordance with manufacturer's written instruction and approved submittals.
 - f. Provide cut-outs for plumbing fixtures and trim, washroom accessories, appliances, and related items: confirm layout with manufacturer's cut-out templates before beginning work. Round corners of cut-outs and sand edges smooth.
 - g. Do not exceed manufacturer's recommended unsupported overhang distances.
 - h. Finish exposed surfaces smooth and polish to low sheen.
 - i. Radius corners and edges.
 - j. Tolerances: variations in size or openings shall not exceed +/-1/4".
 5. Acceptable manufacturer: Formica Solid Surfacing as manufactured by Formica Group / Fabrications, Cincinnati, Ohio **or approved equal.**
- 2.06 Factory Finishing of Interior Architectural Woodwork:
- A. Quality Standard: Comply with AWI Section 1500 unless otherwise indicated.
 - B. The finish of custom casework is included under this Section, regardless of whether factory applied or applied after installation.
 - C. Preparations for Finishing: Comply with referenced quality standard for sanding, filling countersunk fasteners, sealing concealed surfaces and similar preparations for finishing of

DIVISION 6 - WOOD & PLASTICS

SECTION 06410 - CUSTOM CASEWORK

- custom casework, as applicable to each unit of work.
- D. Factory Finishing: The extent to which the final finish is applied to architectural woodwork a factory is Contractor's option, except factor apply at least prime/base coat to the greatest extent possible before delivery.
 - E. Transparent finish for Open-Grain Woods: Comply with requirements indicated below for grade Finish system, staining, effect, and sheen, with sheen measured on 60 degree gloss meter per ASTM D 523.
 - 1. Grade: Custom
 - 2. AWI Finish System No. 5: Catalyzed polyurethane.
 - 3. Staining: Match Architect=s sample.
 - 4. Effect: Closed grain (filled finish).
 - 5. Sheen: Medium-gross ribbed effect 35-45 deg.
 - F. Transparent Finish for Closed-grain Woods: Comply with requirements indicated below for grade, finish system staining, effect, and sheen.
 - 1. Grade: Custom
 - 2. AWI Finish System No. 5: Catalyzed polyurethane.
 - 3. Staining: Match Architect's sample.
 - 4. Effect: Closed grain.
 - 5. Sheen: Medium-gloss rubbed effect 35-45 deg.
- 2.07 Fabrication:
- A. Shop assemble casework for delivery to site in units easily handled and to permit passage through building openings.
 - B. Fit shelves, doors and exposed edges with 3/8 inch matching hardwood edging. Use full length pieces only.
 - C. Cap exposed plastic laminate finish edges with material of same finish and pattern.
 - D. Door and Drawer Fronts: 3/4 inch thick; overlay style.
 - E. When necessary to cut and fit on site, provide materials with ample allowance for cutting. Provide trim for scribing and site cutting.
 - F. Apply plastic laminate finish in full uninterrupted sheets consistent with manufactured sizes. Fit corners and joints hairline; secure with concealed fasteners. Slightly bevel arises. Locate counter butt joints minimum 2 feet from sink cut-outs.
 - G. Mechanically fasten back splash to countertops with sleet brackets at 16 inches on center.
 - H. Provide cutouts for plumbing fixtures, inserts, appliances, outlet boxes; and fixtures and fitting. Verify locations of cutouts from on-site dimensions. Prime paint contact surfaces of cut edgy.

DIVISION 6 - WOOD & PLASTICS

SECTION 06410 - CUSTOM CASEWORK

2.08 Finishing:

- A. Sand work smooth and set exposed nails and screw.
- B. Apply wood filler in exposed nail (and screw) indentations.
- C. On items to receive transparent finishes, use wood filler which matches surrounding surfaces and of types recommended for applied finishes.
- D. Seal, stain and varnish exposed to view surfaces. Brush apply only.
- E. Seal and varnish internal exposed to view and semi-concealed surfaces. Brush apply only.
- F. Seal internal surfaces of cabinets with one coat of shellac. Brush apply only.
- G. Seal surfaces in contact with cementitious materials.

2.09 Hardware:

- A. Shelf Standard and Supports: KV-256 and KV-255.
- B. Drawer and Door Pulls: Chrome, U-shaped wire pulls.
- C. Cabinet Locks: Keyed cylinder, two keys per lock, master keyed.
- D. Catches: Magnetic, Stanley SF-45 and SP-46. Provide other types required for special conditions.
- E. Drawer Slides: Knappe and Vogt: KV1284 typical with KV1485 full extension ball bearing tracks.
- F. Hinges: Blum Model 170-concealed hinges with 170 degree opening or Grass System 1200 (176 degree opening) self-closing with 1000-80 base plate. Two hinges per door up to 36" and 3 hinges per door up to 48" and 4 per door up to 60" high.
- G. Grommets: Provide plastic grommets at all penetrations through countertop for cabling, power cords, etc. as indicated on the Drawings.

Part 3 - Execution

3.01 Examination: Verify adequacy of backing and support framing.

3.02 Installation:

- A. Install woodwork to comply with AWI Section 1700 for same grade specified above for type of casework involved.
- B. Set and secure casework in place; rigid, plumb, and level.
- C. Use fixture attachments in concealed locations for waif mounted components.
- D. Use concealed joint fasteners to align and secure adjoining cabinet units and counter tops.
- E. Carefully scribe casework abutting other components, with maximum gaps of 1/32 inch. Do not use additional overlay trim for this purpose.
- F. Secure cabinet and counter bases to floor using appropriate

DIVISION 6 - WOOD & PLASTICS

SECTION 06410 - CUSTOM CASEWORK

- angles and anchorages.
 - G. Countersink anchorage devices at exposed locations. Conceal with solid wood plugs of species to match surrounding wood; finish flush with surrounding surfaces.
 - H. Install without distortion so that doors and drawers fit openings properly and are accurately aligned.
 - I. Adjust hardware to center doors and drawers in openings and to provide unencumbered operation. Complete the finishing work specified in this section to whatever extent not completed at shop or before installation of woodwork.
 - J. Complete the finishing work specified in this section to whatever extent not completed at shop or before installation of woodwork,
- 3.03 Adjusting:
- A. Adjust moving or operating parts to function smoothly and correctly.
- 3.04 Cleaning:
- A. Clean casework, counters, shelves, hardware, fittings and fixtures.
- 3.05 Schedules:
- A. Furnish and install all items listed in this schedule at location indicated on the Drawings, complete as to function intended.
 - B. Casework indicated on the Drawings; custom grade construction.
 - 1. Counter Tops.
 - 2. Base Cabinets.
 - 3. Overhead Cabinets.
 - 4. Wall Cabinets.
 - 5. Shelving-adjustable and fixed.
 - 6. Other items such as shims and fillers as indicated on the Drawings or as required for a complete cabinetwork installation.

END OF SECTION

DIVISION 6 - WOOD & PLASTICS

SECTION 06420 - CUSTOM LAMINATE CASEWORK (CONTRACTOR OPTION)

PART 1 - GENERAL

1.01 SECTION INCLUDES

- A. Fixed modular laminate clad casework and components.
- B. Flexible rail mounted laminate clad casework and components.
- C. Solid Surface countertops and backsplash.

1.02 RELATED SECTIONS

- A. Blocking within walls where indicated: Section 06100 Rough Carpentry.
- B. Millwork, trim, etc.: Section 06200 Finish Carpentry.
- C. Hardware: Section 06410 Custom Casework.
- D. Glass: not applicable.
- E. Base molding: Division 9.
- F. Appliances: Division 11 and drawings.
- G. Sinks and service fixtures, service waste lines, connections, and vents: Division 15.
- H. Electrical service fixtures: Division 16.

1.03 DEFINITIONS

- A. Identification of casework components and related products by surface visibility.
 - 1. Open Interiors: Any open storage unit without solid door or drawer fronts, units with full glass insert doors and/or acrylic doors, and units with sliding solid doors.
 - 2. Closed Interiors: Any closed storage unit behind solid door or drawer fronts.
 - 3. Exposed Ends: Any storage unit exterior side surface that is visible after installation.
 - 4. Other Exposed Surfaces: Faces of doors and drawers when closed, and tops of cabinets less than 72 inches above furnished floor.
 - 5. Semi-Exposed Surfaces: Interior surfaces which are exposed to view when doors or drawers are opened, bottoms of wall cabinets and tops of cabinets 72 inches or more above finished floor.
 - 6. Concealed Surfaces: Any surface not visible after installation.

1.04 QUALITY ASSURANCE

- A. Manufacturer: Minimum of 5 years experience in providing manufactured casework systems for similar types of projects, produce evidence of financial

DIVISION 6 - WOOD & PLASTICS

SECTION 06420 - CUSTOM LAMINATE CASEWORK (CONTRACTOR OPTION)

stability (if requested), bonding capacity, and adequate facilities and personnel required to perform on this project.

- B. Manufacturer: Provide products certified as meeting or exceeding ANSI-A 161.1-2000 testing standards.
- C. Single Source Manufacturer: Casework, countertops and architectural millwork products must all be engineered and built by a single source manufacturer in order to ensure consistency and quality for these related products. Splitting casework, countertops and/or architectural millwork between multiple manufacturers will not be permitted.
- D. Quality Standard: Unless otherwise indicated, comply with AWI's Architectural Woodwork Quality Standards for grades of interior architectural woodwork, construction, finishes and other requirements.

1.05 SUBMITTALS

- A. Comply with Special Conditions, unless otherwise indicated.
- B. Product Data: Manufacturer's catalog with specifications and construction details.
- C. Shop Drawings: Indicate dimensions, description of materials and finishes, general construction, specific modifications, component connections, anchorage methods, hardware, and installation procedures, plus the following specific requirements.
 - 1. Include section drawings of typical and special casework, work surfaces and accessories.
 - 2. Indicate locations of plumbing and electrical service field connection by others.
 - 3. Provide one set of shop drawings which includes all products within this section, engineered and built by a single source manufacturer, with seamless coordination amongst all products.
- D. Casework Samples (To be available upon request):
 - 1. Base cabinet: Cabinet conforming to specifications, with drawer and door.
 - 2. Wall cabinet: Cabinet conforming to specifications, with door.
 - 3. Cabinet samples shall be complete with specified hardware for doors, drawers and shelves.
 - 4. Component samples: Two sets of samples for each of the following:

DIVISION 6 - WOOD & PLASTICS

SECTION 06420 - CUSTOM LAMINATE CASEWORK (CONTRACTOR OPTION)

- a. Decorative laminate color charts / PVC and ABS edgings.

1.06 PRODUCT HANDLING

- A. Deliver completed laminate clad casework, countertops, and related products only after wet operations in building are completed, store in ventilated place, protected from the weather, with relative humidity range of 25 percent to 55 percent.
- B. Protect finished surfaces from soiling and damage during handling and installation with a protective covering.

1.07 JOB CONDITIONS

- A. Environmental Requirements: Do not install casework until permanent HVAC systems are operating and temperature and humidity have been stabilized for at least 1 week.
 1. Manufacturer/Supplier shall advise Contractor of temperature and humidity requirements for architectural casework installation areas.
 2. After installation, control temperature and humidity to maintain relative humidity between 25 percent and 55 percent.
- B. Conditions: Do not install casework until interior concrete work, masonry, plastering and other wet operations are complete.

1.08 WARRANTY

- A. All materials and workmanship covered by this section will carry a five (5) year warranty from date of acceptance.

PART 2 - PRODUCTS

2.01 ACCEPTABLE MANUFACTURERS:

- A. Manufacturer - Basis for Design:
 1. TMI Systems Corporation.
 - a. Specifications are based on manufacturer's literature from TMI SYSTEMS CORPORATION, 50 South Third Avenue West, Dickinson, North Dakota, 58601, Phone: 800-456-6716, fixed modular, flexible rail mounted, and mobile casework and accessories.

DIVISION 6 - WOOD & PLASTICS

SECTION 06420 - CUSTOM LAMINATE CASEWORK (CONTRACTOR OPTION)

- b. Other manufacturers shall comply with the minimum levels of material and detailing indicated on the drawings or as specified.

2.02 MATERIALS

- A. Core Materials:
 1. Particleboard up to 7/8 inch thick: Industrial Grade average 45-pound density particleboard, ANSI A 208.1-2009, M-2 requirements.
 2. Particleboard 1 inch thick and thicker: Industrial Grade average 45-pound density particle-board, ANSI A 208.1-2009, M-2 requirements.
 3. Medium Density Fiberboard 1/4 inch thick: Minimum average density 45-50 lbs., ANSI A208.2-2009 requirements.
 4. MR Moisture Resistant Particleboard: Average 45-pound density particleboard, ANSI A208.1 1-2009, M-2 requirements.
 5. Toe Base Plywood: 3/4 inch thickness, CC/CD/CDC grades, of western softwood veneers, with NAUF exterior fully water resistant phenolic glues.
- B. Decorative Laminates: GREENGUARD Indoor Air Quality Certified
 1. High-pressure decorative laminate VGS (.028), NEMA Test LD 3-2005.
 2. High-pressure decorative laminate HGS (.048), NEMA Test LD 3-2005.
 3. High-pressure decorative laminate HGP (.039), NEMA Test LD 3-2005.
 4. High-pressure cabinet liner CLS (.020), NEMA Test LD 3-2005.
 5. High-pressure backer BKH (.048), (.039), (.028), NEMA Test LD3-2005.
 6. Thermally fused melamine TFM laminate, NEMA Test LD 3-2005. (TFM allowed on casework interiors only, as specified below. Utilization of TFM on any exterior casework surfaces, including door and drawer faces and finished ends, will not be permitted.)
- C. Laminate Color Selection: Maximum 1 color per unit face and 5 colors per project. (See Color Selection in section 3.05).
- D. Edging Materials:
 1. 1mm PVC banding, machine applied.

DIVISION 6 - WOOD & PLASTICS

SECTION 06420 - CUSTOM LAMINATE CASEWORK (CONTRACTOR OPTION)

2. 3mm PVC banding, machine applied and machine profiled to 1/8 inch radius.
- E. Glass:
Not applicable.

2.03 SPECIALTY ITEMS

- A. Support Members:
1. Countertop support brackets: Epoxy powder coated, 11 gauge steel with integral cleat mount opening and wire management opening.
 2. Undercounter support frames: Epoxy powder coated.
 3. Legs: Epoxy powder coated.

2.04 CABINET HARDWARE

- F. Refer to Section 06410 Custom Casework for cabinet hardware.

2.05 FABRICATION:

- A. Fabricate casework, countertops and related products to dimensions, profiles, and details shown.
- B. All casework panel components must go through a supplemental sizing process after cutting, producing a panel precisely finished in size and square to within 0.010 inches, ensuring strict dimensional quality and structural integrity in the final fabricated product.
- C. Cabinet Body Construction:
1. Tops and bottoms are glued and doweled to cabinet sides and internal cabinet components such as fixed horizontals, rails and verticals. Minimum 6 dowels each joint for 24 inch deep cabinets and a minimum of 4 dowels each joint for 12 inch deep cabinets. (Mechanical or metal hardware fasteners joining cabinet top and bottom panels to the sides will not be accepted.)
 - a. Tops, bottoms and sides of all cabinets are particleboard core.
 2. Cabinet backs: 1/4 inch thick medium density fiberboard panel fully captured by the cabinet top, bottom and side panels. Finish to match cabinet interior. 3/4 inch x 4 inch particleboard rails will be placed behind the back panel at the top and bottom, and doweled to the sides utilizing 10mm hardwood fluted dowels. A third intermediate rail will be included on all cabinets taller than 56 inches. Utilize hot melt

DIVISION 6 - WOOD & PLASTICS

SECTION 06420 - CUSTOM LAMINATE CASEWORK (CONTRACTOR OPTION)

- glue to further secure back and increase overall strength.
- a. Exposed back on fixed or movable cabinets: 3/4 inch thick particleboard with the exterior surface finished in VGS laminate as selected.
 3. Fixed base and tall units have an individual factory-applied base, constructed of 3/4 inch thick plywood. Base is 102mm (nominal 4 inch) high unless otherwise indicated on the drawings.
 4. Base units, except sink base units: Full sub-top glued and doweled to cabinet sides. (Mechanical or metal hardware fasteners joining cabinet sub-top panel to the sides will not be accepted.)
 - a. Sink base units are provided with open top and a stretcher at the front, attached to the sides. Back to be split removable access panel.
 5. Side panels and vertical dividers shall receive adjustable shelf hardware at 32mm line boring centers. Mount door hinges, drawer slides and pull-out shelves in the line boring for consistent alignment.
 6. Exposed and semi exposed edges.
 - a. Edging: 1mm PVC machine applied.
 7. Adjustable Shelves in Cabinets
 - a. Core: Particleboard.
 - b. Core Thickness: 3/4 inch up to 30 inches wide, 1 inch over 30 inches wide.
 - c. Edge: 1mm PVC on Front Edge Only.
 8. Interior finish, units with open Interiors:
 - a. Top, bottom, back, sides, horizontal and vertical members, and adjustable shelving faces with TFM Thermally Fused Melamine laminate.
 9. Interior finish, units with closed Interiors:
 - a. Top, bottom, back, sides, horizontal and vertical members, and adjustable shelving faces with TFM Thermally Fused Melamine laminate.
 10. Exposed ends:
 - a. Faced with high-pressure decorative VGS laminate. Use of TFM on exposed ends will not be permitted.
 11. Wall unit bottom:

DIVISION 6 - WOOD & PLASTICS

SECTION 06420 - CUSTOM LAMINATE CASEWORK (CONTRACTOR OPTION)

- a. Faced with thermally fused melamine laminate.
- 12. Balanced construction of all laminated panels is mandatory. Unfinished core stock surfaces, even on concealed surfaces (excluding edges), are not permitted.
- D. Drawers:
 - 1. Sides, back and sub front: Minimum 1/2 inch thick particleboard, laminated with TFM Thermally Fused Melamine doweled and glued into sides. Top edge banded with 1mm PVC.
 - 2. Drawer bottom: Minimum 1/2 inch thick particleboard laminated with TFM Thermally Fused Melamine, screwed directly to the bottom edges of drawer box.
 - 3. Paper storage drawers: Minimum 3/4 inch thick particleboard sides, back, and sub front laminated with TFM Thermally Fused Melamine. Minimum 1/2 inch thick particleboard drawer bottoms screwed directly to the bottom edges of the drawer box. Provide PVC angle retaining bar at the rear of the drawer.
- E. Door/Drawer Fronts:
 - 1. Core: 3/4 inch thick particleboard.
 - 2. High-pressure decorative VGS laminate exterior, balanced with high-pressure cabinet liner CLS. Use of TFM on exterior or interior surfaces of door/drawer fronts will not be permitted.
 - 3. Edges: 3mm PVC, machine applied, external edges and outside corners machine profiled to 1/8 inch radius.
 - 4. Provide double doors in opening in excess of 24 inches wide.
- F. Door Fronts with Glass Insert captured by Retainer Clips (CUSTOM GRADE):
 - 1. Core: 3/4 inch thick particleboard.
 - 2. High-pressure decorative VGS laminate exterior, balanced with high-pressure VGS laminate. Use of TFM on exterior or interior surfaces of door fronts will not be permitted.
 - 3. Edges: 3mm PVC, machine applied, external edges and outside corners machine profiled to 1/8 inch radius.

DIVISION 6 - WOOD & PLASTICS

SECTION 06420 - CUSTOM LAMINATE CASEWORK (CONTRACTOR OPTION)

4. Provide cutout in door panel resulting in 3-3/8 inch frame. Exposed cutout edge to be finished with 1mm PVC edgebanding.
 5. Notch cutout 3/8 inch x 1/4 inch for glass panel to set into, mounting flush with the back side (interior side) of the door panel. Interior cutout edge to be painted a compatible color to the interior surface.
 6. Glass panel to be captured and held in place utilizing glass retainer clips, screwed in place. Minimum eight clips per glass panel located in the four corners of the cutout.
- G. Miscellaneous Shelving (not in Cabinets):
1. Core material: 1 inch thick particleboard.
 2. High-pressure decorative VGS laminate on both faces.
 3. Edges: 3mm PVC, external edges and outside corners machine profiled to 1/8 inch radius.

2.06 ARCHITECTURAL CABINET SOLID SURFACE TOPS (Countertops):

- A. Design Load: deflection limited to 1/360.
- B. Type of Top: homogeneous solid sheets of filled plastic resin complying with the following:
1. Colors and Patterns: as selected by Architect from manufacturer's full range.
 2. Special Features: eased edge treatment.
 3. Accessories:
 - a. Adhesives: for seams and drop edges, Formica Solid Surfacing Seaming Cartridges, 9 ounce, color to blend with sheet material.
 4. Fabrication: assemble work at shop and deliver to job ready for installation. Manufacture in largest practical pieces for handling and shipping without seams.
 - a. Fabricate work square and to required lines.
 - b. Recess and conceal fasteners connections and reinforcing.

DIVISION 6 - WOOD & PLASTICS

SECTION 06420 - CUSTOM LAMINATE CASEWORK (CONTRACTOR OPTION)

- c. Design, construction, and installation: details to allow for expansion and contraction of materials. Properly install material with hairline joints held rigidly in place.
 - d. Fabricate countertops and vanities with back splash and side splash pieces to profiles and sizes indicated.
 - e. Fabricate items to profiles shown with connections and supports as indicated or as required for complete installation in accordance with manufacturer's written instruction and approved submittals.
 - f. Provide cut-outs for plumbing fixtures and trim, washroom accessories, appliances, and related items: confirm layout with manufacturer's cut-out templates before beginning work. Round corners of cut-outs and sand edges smooth.
 - g. Do not exceed manufacturer's recommended unsupported overhang distances.
 - h. Finish exposed surfaces smooth and polish to low sheen.
 - i. Radius corners and edges.
 - j. Tolerances: variations in size or openings shall not exceed +/-1/4".
5. Acceptable manufacturer: Formica Solid Surfacing as manufactured by Formica Group / Fabrications, Cincinnati, Ohio **or approved equal.**

PART 3- EXECUTION

3.01 INSPECTION:

- A. The casework contractor must examine the job site and the conditions under which the work under this section is to be performed and notify the building owner in writing of unsatisfactory conditions. Do not proceed with work under this Section until satisfactory conditions have been corrected in a manner acceptable to the installer.

DIVISION 6 - WOOD & PLASTICS

SECTION 06420 - CUSTOM LAMINATE CASEWORK (CONTRACTOR OPTION)

3.02 PREPARATION:

- A. Condition casework to average prevailing humidity conditions in installation areas prior to installing.

3.03 INSTALLATION:

- A. Erect casework, plumb, level, true and straight with no distortions. Shim as required. Where laminate clad casework abuts other finished work, scribe and cut to accurate fit.
- B. Adjust casework and hardware so that doors and drawers operate smoothly without warp or bind.
- C. Repair minor damage per plastic laminate manufacturer's recommendations.

3.04 CLEANING:

- A. Remove and dispose of all packing materials and related construction debris.
- B. Clean cabinets inside and out. Wipe off fingerprints, pencil marks, and surface soil etc., in preparation for final cleaning by the building owner.

3.05 COLOR SELECTION:

- A. Laminate Color Selection:
 - 1. Select from the full range of standard Wilsonart® and Formica® stock color charts.
 - 2. Thermally fused melamine laminate matched to White color.
- B. Hardware Color Selection:
 - 1. Hinge: Select from your choice of epoxy powder coating stock colors matched to White, Beige, Gray, Black and Chrome.
 - 2. Pulls: Select from design specific finish options available in the TMI Vendor Stock Pull Program.
 - 3. Miscellaneous Hardware (support brackets, metal components, etc.): Select from your choice of epoxy powder coating stock colors matched to White, Beige, Gray, Black and Chrome.
- C. PVC Edge Banding Color Selection:
 - 1. 3mm PVC: Select from the TMI Vendor Stock PVC Program, including over 200 pattern, woodgrain and solid colors matched to Wilsonart® and Formica® laminates.
 - 2. 1mm PVC: Select from the TMI Vendor Stock PVC Program, including over 200 pattern, woodgrain

DIVISION 6 - WOOD & PLASTICS

SECTION 06420 - CUSTOM LAMINATE CASEWORK (CONTRACTOR OPTION)

and solid colors matched to Wilsonart® and
Formica® laminates.

End of Section

DIVISION 7 -THERMAL & MOISTURE PROTECTION

SECTION 07100 - WATERPROOFING

Part 1 - General

1.01 Work Included:

- A. All materials, labor, services and incidentals necessary for the completion of this section of the work.

1.02 Quality Assurance:

- A. Standards:
 - 1. Federal Specifications:
 - a. SS-C-153B, Cement, Bituminous, Plastic.
 - b. SS-A-701B, Asphalt, Weatherproofing.
 - c. LLL-1-535A, Insulation Board, Thermal.

1.03 Submittals:

- A. Provide submittals in the form of samples, and documentation, to the Architect for review.

Part 2 - Products

2.01 Materials:

- A. Solvent Based Asphalt Water Barrier: FS-SS-A-701B.
- B. Flashing Membrane: 20 mil elastomeric modified sheet vinyl.
- C. Asphalt Plastic Cement: SS-C-153B, Type 1.
- D. Accessories: As recommended by manufacturer.
- E. Protection Board: Insulation Board, FS-LLL-1-535A, Class A.
- F. Vapor Barrier under floor slab: refer to Section 07260 - Vapor Barrier.

Part 3 - Execution

3.01 Installation - Wall Waterproofing:

- A. Location: Apply to all exterior concrete and masonry wall surfaces below grade.
- B. General:
 - 1. Repoint all holes cracks and joints and allow to dry before waterproofing.
 - 2. Do not apply until all surfaces are completely dry and clean. Apply only during favorable weather conditions.
- C. Joint Membrane:
 - 1. Location: Apply to all joints in exterior concrete walls below grade.
 - 2. Embed a strip of flashing membrane in plastic cement. Membrane shall be a minimum of 12" wide.
- D. Water Barrier:
 - 1. Hold 4" down from finish grade line so that at no time is the mastic or membrane exposed to view.
 - 2. Apply two (2) coats to form a membrane water barrier, allowing the first coat to dry before applying the second

DIVISION 7 -THERMAL & MOISTURE PROTECTION

SECTION 07100 - WATERPROOFING

coat. Apply in strict accordance with manufacturer's instructions. Do not apply until surfaces are completely dry.

3. Apply in a continuous unbroken film free from pin holes or other surface breaks. Take care to seal around all ties, inserts, anchor slots, conduit, pipes, electrical boxes, etc.

E. Protection:

1. Install protection board over all waterproofing prior to backfilling.
2. All back filling shall be carefully done to protect waterproofing. Repair all damaged areas.

3.02 Under Slab Vapor barrier:

- A. Refer to Section 07260 - Vapor Barrier.

End of Section

DIVISION 7 - THERMAL & MOISTURE PROTECTION

SECTION 07150 - DAMPPROOFING

Part 1 - General

1.01 Work Included:

- A. All materials, labor, services and incidentals necessary for the completion of this section of the work.

1.02 Related Work Specified Elsewhere:

- A. Waterproofing - Section 07100
- B. Sealants - Section 07900

1.03 Quality Assurance

- A. Standards:
 - 1. Federal Specifications:
 - a. SS-C-153B, Cement, Bituminous, Plastic.
 - b. SS-A-701B, Asphalt, Weatherproofing.
 - 2. American Society for Testing and Materials:
 - a: ASTM D-250, Asphalt Saturated Asbestos Felts.

Part 2 - Products

2.01 Materials:

- A. Solvent Based Asphalt Water Barrier: FS-SS-A-701B
- B. Flashing Membrane: 20 mil elastomeric modified sheet vinyl.
- C. Asphalt Plastic Cement: SS-C-153B, Type 1.
- D. Asphalt Saturated Felt: ASTM D-250, Un-perforated, #15.
- E. Accessories: As recommended by manufacturer.

Part 3 - Execution

3.01 Installation - Cavity Wall Dampproofing:

- A. General - Masonry and Concrete:
 - 1. Repoint all holes, cracks and mortar joints and allow to dry before waterproofing and dampproofing.
 - 2. Sweep wall base, including concrete slab, clean of dirt and mortar droppings immediately prior to application of waterproofing and dampproofing cavity walls.
 - 3. Do not apply until all surfaces are completely dry and clean.
 - 4. Do not apply until all surfaces are completely dry and clean.
 - 5. Sight exposed mastic and membrane not allowed.
- B. Wall Base Waterproofing:
 - 1. Location: Apply at base of outer face of concrete walls and outer face of inner wythe at all exterior masonry cavity walls.
 - 2. At intersection of outer face of inner wythe with concrete slab, provide a 2" radius cove built up with asphalt plastic cement.

DIVISION 7 - THERMAL & MOISTURE PROTECTION

SECTION 07150 - DAMPPROOFING

3. At wall base, embed a strip of plastic flashing in Plastic Cement. Lap all joints 8" minimum and seal with joint sealant. Seal completely around piping, conduit, etc. and provide minimum joints using longest sheets of flashing practicable. Seal all punctures. Top edge of membrane shall be a minimum of 8" above concrete slab, worked into curve of plastic cement cover, down, and outward on concrete slab or steel shelf angle to outer wythe.
- C. Cavity Wall Dampproofing:
1. Apply to outer face of inner wythe masonry cavity walls.
 2. Apply two (2) coats to form a membrane water barrier, allowing the first coat to dry before applying the second coat. Apply in strict accordance with manufacturer's instructions. Do not apply until surfaces are completely dry.
 3. Apply in a continuous unbroken film free from pin holes or other surface breaks. Take care to seal around all masonry ties, inserts, anchor slots, conduit, pipes, electrical boxes, etc.

End of Section

DIVISION 7 - THERMAL & MOISTURE PROTECTION

SECTION 07200 - INSULATION

Part 1 - General

1.01 Work Included:

- A. All materials, labor and services and incidentals necessary for the completion of this section of work.

1.02 Quality Assurance:

A. Standards:

1. Federal Specifications:

- a. HH-I-524C, Type IV, Class C, Rigid Insulation.
- b. ASTM C 665-84, Type 1, Insulation Blankets.
- c. ASTM D1621, Compressive Strength.
- d. ASTM E84, Flame Spread and Smoke Developed.

B. Submittals:

- 1. Provide submittals in the form of samples, and documentation, to the Architect for review.

1.03 Product Delivery, Storage and Handling:

- A. Rigid insulation board is combustible. During storage and installation, observe good fire safety practice, including job site housekeeping.

- 1.04 **Products of certain manufacturers are specified herein to simplify descriptions of design, construction, and/or materials only. Proprietary names are not intended to imply that products of named manufacturer are required to the exclusion of equivalent products of other manufacturers.**

Part 2 - Products

2.01 Materials:

- A. Rigid Insulation: FS-HH-I-1972/1, Class 2 Rigid Insulation.
 - 1. Type: Glass fiber reinforced polyisocyanurate core with foil facing each side (glass fiber facing at roof insulation), and a compressive strength of 25 p.s.i. and a maximum water vapor transmission rate of >.03 perm-inch.
 - a. Application: 2 layers of rigid insulation. First layer shall be 2" thick / second layer shall be 1.5" thick for a total thickness of 3.5" with a minimum total thermal resistance of R-20, for installation above metal decking, concrete deck, and exterior wall at cavities. Refer to Drawings.
 - 2. Type: expanded polystyrene insulation.
 - a. Application: 2" thick with a thermal resistance of R-10.4, **for foundation wall perimeter below grade installation only.**
 - b. Application: 1" thick **for canopy overhang structure installation only.**
 - 3. Adhesive: as recommended by manufacturer of rigid

DIVISION 7 - THERMAL & MOISTURE PROTECTION

SECTION 07200 - INSULATION

insulation board.

- B. Fibrous Insulation: ASTM C 665-84, Type 1
 - 1. Type:
 - a. 6" thick (approx.) mineral wool or fiberglass fire resistant insulating blanket or batt, with kraft paper facing. Thermal resistance R-19. Refer to Drawings for locations.
- C. Vapor Retarder:
 - 1. Roof Deck Installation:
 - a. Two layers of high strength kraft paper laminated with an adhesive, and reinforced at edges with fiberglass yarns.
 - b. Type Example: Permstop - Owens Corning.

Part 3 - Execution

3.01 Installation - Rigid Insulation:

- A. Install rigid insulation horizontally against back-up wall, or to roof deck, as shown on the Drawings.
- B. **Rigid insulation and other components applied to metal decking at membrane roofing shall be fastened with approved fasteners at the rate of 1 per 2 square feet to meet FM I-90 requirements.**
- C. Install 2 layers of rigid insulation to metal roof deck and at wall cavity. Stagger joints of insulation to provide continuous insulation coverage.
- D. Cut insulation by means of a saw, knife, or other sharp tool to fit around obstructions across the wall, such as vents, louvers, pipes and conduit.
- E. If mastic adhesive is used to supplement holding the insulation in place, observe label directions.

End of Section

DIVISION 7 - THERMAL AND MOISTURE PROTECTION

SECTION 07260 - VAPOR BARRIER

PART 1 - GENERAL

1.01 Work Included

- A. Furnish all labor, materials, services and equipment required in conjunction with or properly incidental to the installation of under-slab vapor barriers described herein and/or as shown on the drawings.

1.02 Related Work

- A. Section 03300: Cast-In-Place Concrete.

1.03 Job Conditions

- A. Subbase: Smooth and level, free from damaging protrusions that would puncture vapor barrier.

1.04 References

- A. ASTM E 1643 - Standard Practice for Installation of Water Vapor Barriers Used in Contact with Earth or Granular Fill Under Concrete Slabs.
- B. ASTM E 1745 - Standard Specification for Plastic Water Vapor Barriers Used in Contact with Soil or Granular Fill under Concrete Slabs: Exceeds Class B
- C. ASTM E 96 - Standard Test Methods for Water Vapor Transmission of Materials.
- D. ASTM E 154 - Standard Test Methods for Water Vapor Barriers Used in Contact with Earth Under Concrete Slabs, on Walls, or as Ground Cover
- E. ASTM D 1709 - Standard Test Methods for Impact Resistance of Plastic Film by the Free-Falling Dart Method.
- F. ASTM F 1249 - Standard Test Method for Water Vapor Transmission Rate Through Plastic Film and Sheeting Using a Modulated Infrared Sensor
- G. ACI 302.1R - Vapor barrier component (plastic membrane) not less than 10 inches thick.

1.05 Submittals

- A. Submit in accordance with Division 1 requirements.
- B. Product Data: Provide manufacturers printed product literature and description, including tests and standards that have been performed on the vapor barrier material.
- C. Samples: Submit two, 8 1/2 x 11 inch in size, illustrating the vapor barrier and two (2) 8-1/2-in long sample strips of the joint tape.
- D. One each of all accessories that will be used in the installation.
- E. Verification by Independent testing labs indicating that materials comply with specified requirements.
- F. Certificates: Certify that products of this section meet or exceed specified requirements.

DIVISION 7 - THERMAL AND MOISTURE PROTECTION

SECTION 07260 - VAPOR BARRIER

- G. Manufacturer's Instructions: Indicate complete installation instructions.

PART 2 - PRODUCTS

2.01 Available Products

- A. Stego Wrap 15 mil Vapor Barrier by Stego Industries, L.L.C.
- B. Perminator™ 15 mil by W.R. Meadows .
- C. Vapor Block 15 (mil) by Raven Industries, Inc.
- D. Moistop Ultra 15 (mil) by Fortifiber Building Systems Group
- E. Viper Vaporcheck II 15 mil by Insulation Solutions, Inc.

2.02 Source Quality Control And Testing

- A. Vapor barrier membrane shall have following properties:
 - 1. Water Vapor Barrier: Meets or exceeds Class A according to ASTM E 1745.
 - 2. Water Vapor Transmission Rate: 0.012 grains/ft²/hour or lower according to ASTM E 96.
 - 3. Water Vapor Permeance: 0.01 perms or lower according to ASTM E 154 Sec. 7 or F 1249 (max.).
 - 4. Tensile Strength: 45.0 lbf/in according to ASTM E 154 Sec. 9.
 - 5. Puncture Resistance: 2200 g according to ASTM D 1709, Method B

2.03 Accessories

- A. Tape:
 - 1. High Density Polyethylene Tape with pressure sensitive adhesive. Minimum width 4".
- B. Pipe Boot:
 - 1. Construct pipe boots from vapor barrier material and pressure sensitive tape per manufacturer's instructions.

PART 3 - EXECUTION

3.01 Examination

- A. Verify that conditions are acceptable for the placement of the vapor barrier.

3.02 Preparation

- A. Ensure that subsoil is approved by Geotechnical Engineer.
 - 1. Vapor Barrier shall be installed on top of the aggregate, sand or tamped earth base or carton forms. At carton forms provide a vertical leg down to grade and adhered the vapor barrier to the grade beam at or just below the dirt line. Vapor barrier may be placed either above or beneath any carton form slip sheet.

DIVISION 7 - THERMAL AND MOISTURE PROTECTION

SECTION 07260 - VAPOR BARRIER

3.03 Installation

- A. Install vapor barrier per manufacturer's instructions, illustrations and ASTM E 1643 Standard Practice for Installation of Water Vapor Barriers Used in Contact with Earth or Granular Fill Under Concrete Slabs.
 - 1. Level and tamp or roll granular base.
 - 2. Place Vapor Barrier with the longest dimension parallel with the direction of the pour.
 - 3. Lap Vapor Barrier over footings and seal to foundation walls. Seal all penetrations.
 - 4. Lap joints 6 inches and seal with the recommended pressure sensitive tape.
 - 5. Seal pipe penetrations with pipe boot made from vapor barrier and tape.
 - 6. Protect vapor barrier from damage during installation of reinforcing steel and utilities.
 - 7. Repair damaged areas by cutting patches of vapor barrier, overlapping damaged area 6 inches and taping all four sides with pressure sensitive tape.

3.04 Interface With Other Work

- A. Coordinate work of all other trades related to the slab base and utility services.

END OF SECTION

DIVISION 7 - THERMAL & MOISTURE PROTECTION

SECTION 07540 - THERMOPLASTIC POLYOLEFIN (TPO) ROOFING SYSTEM

1.06 Submittals:

- A. Submittals Prior to Project Close-out:
 - 1. Manufacturer's printed recommendations for proper maintenance of the specified roof system including inspection frequencies, penetration addition policies, temporary repairs, and leak call procedures.
- C. Product Data: provide product data sheets for each type of product indicated in this section.
- D. Shop Drawings: provide manufacturer's standard details and approved shop drawings for the roof system specified.

1.07 Quality Assurance:

- A. Acceptable Products: Primary roofing products, including each type of sheet, all manufactured in the United States, shall be supplied by a single manufacturer which has been successfully producing the specified types of primary products for not less than 10 years. The primary roofing products shall have maintained a consistent composition for a minimum of five years. The following products and manufacturers are acceptable on this project:
 - 1. TPO by Johns Manville - Denver, CO.
- B. Agency Approvals: The proposed roof system shall conform to the following requirements. No other testing agency approvals will be accepted.
 - 1. Underwriters Laboratories Class A acceptance of the proposed roofing system without additional requirements for gravel or coatings.
- C. Acceptable Contractor: Contractor shall have a minimum of 10 years of experience in successfully installing the same or similar roofing materials and be certified in writing by the roofing materials manufacturer to install the primary roofing products.
 - 1. Roofer shall have an office, warehouse with supplies, and permanent roofing crews within the State of Oklahoma.
 - 2. Roofer shall have had "NDL" approval for 5 years AT THIS OFFICE from manufacturer and shall perform a minimum of ten (10) NO DOLLAR LIMIT manufacturer guarantees per year.
 - 3. **Owner's Roofing Contractor (Universal Roofing and Sheet Metal located in Moore, Oklahoma) shall be utilized on this project. The bid shall be based on the provided drawings and specifications, and agreed-to pricing.**
- D. Scope of Work: The work to be performed under this specification shall include but is not limited to the following: Attend necessary job meetings and furnish competent and full time supervision, experienced roof

DIVISION 7 - THERMAL & MOISTURE PROTECTION

SECTION 07540 - THERMOPLASTIC POLYOLEFIN (TPO) ROOFING SYSTEM

mechanics, all materials, tools, and equipment necessary to complete, in an acceptable manner, the roof installation in accordance with this specification. Comply with the latest written application instructions of the manufacturer of the primary roofing products. In addition, application practice shall comply with requirements and recommendations contained in the latest edition of the Handbook of Accepted Roofing Knowledge (HARK) as published by the National Roofing Contractors' Association, amended to include the acceptance of a phased roof system installation.

- E. Local Regulations: Conform to regulations of public agencies, including any specific requirements of the city and/or state of jurisdiction.
 - F. Manufacturer Requirements: Ensure that the primary roofing materials manufacturer provides direct trained company personnel to attend necessary job meetings, perform periodic inspections as necessary, and conducts a final inspection upon successful completion of the project.
 - G. The specified roofing assembly must be rated by Factory Mutual Global (FMG) to meet or exceed the factored uplift pressures outlined in FMG Property Loss Prevention Data Sheet I-28, and complies with FMG Property Loss Prevention Data Sheet I-29 for enhancements at the perimeter and corners.
- 1.08 Product Delivery Storage And Handling:
- A. Delivery: Deliver materials in the manufacturer's original sealed and labeled containers and in quantities required to allow continuity of application.
 - B. Storage: Store materials out of direct exposure to the elements. Store roll goods on a clean, flat and dry surface. All material stored on the roof overnight shall be stored on pallets. Rolls of roofing must be stored on ends. Store materials on the roof in a manner so as to preclude overloading of deck and building structure. Store materials such as solvents and adhesives products away from open flames, sparks or excessive heat. Cover all material using a breathable cover such as a canvas. Polyethylene or other non-breathable plastic coverings are not acceptable.
 - C. Handling: Handle all materials in such a manner as to preclude damage and contamination with moisture or foreign matter. Handle rolled goods to prevent damage to edges or ends.
 - D. Damaged Material: Any materials that are found to be damaged or stored in any manner other than stated above will be automatically rejected, removed and replaced at the Contractor's expense.

DIVISION 7 - THERMAL & MOISTURE PROTECTION

SECTION 07540 - THERMOPLASTIC POLYOLEFIN (TPO) ROOFING SYSTEM

1.09 Project/Site Conditions:

- A. Requirements Prior to Job Start
 - 1. Notification: Give a minimum of 5 days notice to the Owner and manufacturer prior to commencing any work and notify both parties on a daily basis of any change in work schedule.
 - 2. Permits: Obtain all permits required by local agencies and pay all fees which may be required for the performance of the work.
 - 3. Safety: Familiarize every member of the application crew with all fire and safety regulations recommended by OSHA, NRCA and other industry or local governmental groups.
- B. Environmental Requirements:
 - 1. Precipitation: Do not apply roofing materials during precipitation or in the event there is a probability of precipitation during application. Take adequate precautions to ensure that materials, applied roofing, and building interiors are protected from possible moisture damage or contamination.
 - 2. Temperature Restrictions: Do not apply adhesive when surface and / or ambient temperatures are below 45F degrees. Drums of adhesive must be stored at a minimum of 55F degrees at the time of use.
- C. Protection Requirements:
 - 1. Membrane Protection: Provide protection against staining and mechanical damage for newly applied roofing and adjacent surfaces throughout this project.
 - 2. The contractor shall exercise caution during adhesive spraying to avoid overspray. Maintain hand-held wind screens on-site for use as necessary.
 - 3. Limited Access: Prevent access by the public to materials, tools and equipment during the course of the project.
 - 4. Debris Removal: Remove all debris daily from the project site and take to a legal dumping area authorized to receive such materials. Take precautions to prevent drains from becoming clogged during roofing application.
 - 5. Site Condition: Complete, to the owner's satisfaction, all job site clean-up including building interior, exterior and landscaping where affected by the construction.
 - 6. When loading materials onto the roof, installer must comply with requirements of the Owner's Representative to prevent overloading and possible disturbance to the building structure.

DIVISION 7 - THERMAL & MOISTURE PROTECTION

SECTION 07540 - THERMOPLASTIC POLYOLEFIN (TPO) ROOFING SYSTEM

7. Protect against fire and flame spread. Maintain proper and adequate fire extinguishers.
- 1.10 Guarantee/Warranty:
- A. Provide manufacturer's system No Dollar Limit Roofing System Guarantee.
 1. Single-source special guarantee includes roofing plies, base flashings, liquid applied flashing, roofing membrane accessories, fasteners, base sheet, walkway products, manufacturer's expansion joints, manufacturer's edge metal products, and other single-source components of roofing system marketed by the manufacturer.
 2. Guarantee Period: 20 years from date of Substantial Completion.
 - B. Installer's Guarantee: Submit roofing Installer's guarantee, signed by Installer, covering Work of this Section, including all components of roofing system for the following warranty period:
 1. Guarantee Period: Two Years from date of Substantial Completion.

Part 2 - Products:

- 2.01 Roofing System Assembly/Products:
- A. Insulation: refer to Section 07200.
- 2.02 Description Of Systems:
- A. Cover Board (where applicable): Underlayment or overlayment board with a water/mold-resistant and polymer coated, with glass fiber mesh embedded on both sides and edges, and pre-primed on one side.
 1. Acceptable Material: Securock Cover Board as manufactured.
 2. Thickness: 1/2".
 - B. Roofing Membrane Materials: furnish a smooth type, polyester scrim reinforced fleece backed thermoplastic polyolefin membrane with a nominal 0.60 inch (60 mil) thickness, for use as a single ply roofing membrane. Membrane shall meet or exceed the minimum requirements of ASTM D-6878, UL Listed, FM Approved, Dade County Product Approval, and Florida Building Code Approved.
 1. Color: white membrane shall be Energy Star Listed, CRRC Listed and Title 24 Compliant.
 2. Acceptable Material: TPO 60 mil thermoplastic single-ply roofing membrane by Johns Manville - Denver, CO.
 - C. Flashing Materials: A smooth type, polyester scrim reinforced thermoplastic polyolefin membrane with a nominal 0.060 inch (60 mil) thickness, for use as a single ply

DIVISION 7 - THERMAL & MOISTURE PROTECTION

SECTION 07540 - THERMOPLASTIC POLYOLEFIN (TPO) ROOFING SYSTEM

roofing membrane. Membrane shall meet or exceed the minimum requirements of ASTM D-6878, UL Listed, FM Approved, Dade County Product Approval, and Florida Building Code Approved.

1. Color: white.
2. Acceptable Material: TPO 60 mil thermoplastic single-ply roofing membrane by Johns Manville - Denver, CO.

2.03 Roofing Accessories:

A. Roofing Adhesives:

1. Polymer-based Bonding Adhesive: one part, synthetic polymer based adhesive, two-sided application for use with JM TPO membranes.
2. One part, membrane edge sealing agent required to protect field-cut edges of JM TPO membranes. Applied directly from a squeeze bottle, JM TPO Edge Sealant by Johns Manville - Denver, CO.
3. One part, synthetic polymer-based primer for preparing surfaces to receive butyl based adhesive tapes, Firestone Primer by Johns Manville - Denver, CO.
4. Solvent based seam cleaner used to clean exposed or contaminated seam prior to heat welding, JM TPO Membrane Cleaner by Johns Manville - Denver, CO.
5. Solvent based, synthetic elastomeric sealant. Durable and UV resistant suitable for use where caulk is typically used such as termination bar applications, by Johns Manville - Denver, CO.
6. One part butyl based high viscosity sealant, by JM Building Products. Provide between flashing membrane and substrate surface behind exposed termination bars, and between roofing membrane and drain flange.
7. 100% solids epoxy based two-part sealant, Epoxy - Part A / Polyamide - Part B, 2-Part Pourable Sealant by JM Building Products. Provide at irregularly-shaped penetrations.

B. Flashing Accessories:

1. A smooth type, 0.060 inches (60 mil) thick unreinforced thermoplastic polyolefin based membrane for use as an alternative flashing / reinforcing material for penetrations and corners, TPO Detailing Membrane. Provide where preformed vent boots cannot be used. Color shall be white.
2. Substrate Bonding Adhesive:
 - a. JM TPO Low VOC membrane adhesive by Johns Manville - Denver, CO.
3. Extruded aluminum termination bar (where applicable) with angled lip caulk receiver, and lower leg bulb stiffener. Bar shall be pre-punched with slotted

DIVISION 7 - THERMAL & MOISTURE PROTECTION

SECTION 07540 - THERMOPLASTIC POLYOLEFIN (TPO) ROOFING SYSTEM

- holes at 6" o.c. minimum and 0.090 inches thick.
4. 6 inch wide, smooth type, heat-weldable polyester scrim reinforced thermoplastic polyolefin membrane strip (where applicable). Provide as cover strip over non-coated metal edges and flanges. TPO Heat-Weld Cover Tape by approved manufacturer.
 5. 24 gauge steel with 0.025 inch thick TPO based film as required for fabrication into metal gravel stop and drip edge profiles, metal base and curb flashings, sealant pans, and scupper sleeves. TPO Coated Metal by approved manufacturer.
- C. Wall and Curb Accessories (where applicable):
1. 0.060" thick molded TPO membrane outside corners of base and curb flashing, JM TPO Universal Corners by Johns Manville - Denver, CO. Hot-air weld directly to TPO membrane. Size to be 6" diameter. Color to be white.
- D. Penetration Accessories (where applicable):
1. 0.075" thick molded TPO membrane sized to accommodate most common pipe and conduit penetrations (1"-6" diameter pipes), including square tubes. Hot-air weld directly to TPO membrane, supply with stainless steel clamping rings, JM TPO Preformed Vent Boots.
 2. 0.045" or 0.06" thick molded TPO membrane preformed boots, split to accommodate most common pipe and conduit penetrations, TPO Split Pipe Boots by Johns Manville - Denver, CO.
 3. 0.045" or 0.06" thick molded TPO membrane preformed square boots, split to accommodate most common square penetrations and conduits, TPO Square Tube Wraps by Johns Manville - Denver, CO.
 4. 0.07" thick molded penetration pocket to provide structure and foundation for the application of pourable sealant at required roof penetrations, weldable, TPO Pourable Sealer Pocket by Johns Manville - Denver, CO.
- E. Field of Roof Accessories (where applicable):
1. Universal style expansion joint covers - fabricate to accommodate all roof to wall and roof to roof applications. Provide 0.06" reinforced TPO membrane, TPO Expansion Joint Covers by Johns Manville - Denver, CO.
 2. 0.055" thick smooth type, unreinforced thermoplastic polyolefin membrane designed for use as a conforming membrane seal over T-joints, T-Joint Patches by Johns Manville - Denver, CO.

DIVISION 7 - THERMAL & MOISTURE PROTECTION

SECTION 07540 - THERMOPLASTIC POLYOLEFIN (TPO) ROOFING SYSTEM

Part 3- Execution

3.01 Preparation:

- A. General: Sweep or vacuum all surfaces, removing all loose substances prior to commencement of roofing.

3.02 Substrate Preparation:

- A. Verify surfaces are dry, clean, and smooth.
- B. Verify all roof openings or penetrations through the roof are solidly set, and that all flashings are tapered.

3.03 Recover Board Panel (where applicable): attach the recover board panels, using the specified low-rise foam adhesive, as directed above. Do not install more recover board than will be completely waterproofed each day.

3.04 Flashing:

- A. General:
 - 1. Refer to Section 07600 and below.
 - 2. All penetrations shall be a minimum of 24" from curbs, walls, and edges to provide adequate space for proper flashing.
 - 3. Flash all perimeter, curb, and penetration conditions with coated metal, membrane flashing, and flashing accessories as appropriate to the site condition.
 - 4. All coated metal and membrane flashing corners shall be reinforced with preformed corners or non-reinforced membrane.
 - 5. Hot-air weld all flashing membranes, accessories, and coated metal. A minimum 2" wide (hand welder) weld is required.
 - 6. All cut edges of reinforced membrane must be sealed with JM TPO Cut Edge Sealant.
 - 7. Refer to manufacturer's application and specifications manual for additional information and specific construction details.
- B. Coated Metal Flashings (where applicable):
 - 1. Coated and metal flashings shall be formed in accordance with approved manufacturer's current construction details and SMACNA guidelines.
 - 2. Coated metal sections used for roof edging, base flashing and coping shall be butted together with a ¼" gap to allow for expansion and contraction. Hot-air weld a 6" wide reinforced membrane flashing strip to both sides of the joint, with approximately 1" on either side of the joint left un-welded to allow for expansion and contraction. 2" wide aluminum tape can be installed over the joint as a bond-breaker, to prevent welding in this area.

DIVISION 7 - THERMAL & MOISTURE PROTECTION

SECTION 07540 - THERMOPLASTIC POLYOLEFIN (TPO) ROOFING SYSTEM

3. Coated metal used for sealant pans, scupper inserts, corners of roof edging, base flashing and coping shall be overlapped or provided with separate metal pieces to create a continuous flange condition, and pop-riveted securely. Hot-air weld a 6" wide reinforced membrane flashing strip over all seams that will not be sealed during subsequent flashing installation.
 4. Provide a ½" hem for all exposed metal edges to provide corrosion protection and edge reinforcement for improved durability.
 5. Provide a ½" hem for all metal flange edges whenever possible to prevent wearing of the roofing and flashing membranes at the flange edge.
 6. Coated metal flashings shall be nailed to treated wood nailers or otherwise mechanically attached to the roof deck, wall or curb substrates, in accordance with construction detail requirements.
- C. Reinforced Membrane Flashing:
1. The thickness of the flashing membrane shall be the same as the thickness of the roofing membrane.
 2. Membrane flashing may either be installed loose or fully adhered to the substrate surface in accordance with "Construction Detail Requirements".
 3. Where flashings are to be fully adhered, apply bonding adhesive at a rate resulting in 60 square feet/gallon of finished roofing material for solvent-based bonding adhesives, and at a rate of 125 square feet/gallon of finished roofing material for water-borne bonding adhesive. Apply bonding adhesive to both the underside of the membrane and the substrate surface at 120 square feet per gallon (Solvent Based) and 250 square feet per gallon (Water Based). A great quantity of bonding adhesive may be required based upon the substrate surface condition. The bonding adhesive must be allowed to dray until tacky to the touch before flashing membrane application.
 4. Apply the adhesive only when outside temperature is above 40 degrees Fahrenheit. Recommended minimum application temperature is 50 degrees Fahrenheit to allow for easier adhesive application.
 5. The membrane flashing shall be carefully positioned prior to application to avoid wrinkles and buckles.
- D. Un-reinforced Membrane Flashings:
1. Un-reinforced membrane is used to field-fabricate penetration or reinforcement flashings in locations where preformed corners and pipe boots cannot be properly installed.

DIVISION 7 - THERMAL & MOISTURE PROTECTION

SECTION 07540 - THERMOPLASTIC POLYOLEFIN (TPO) ROOFING SYSTEM

2. Penetration flashings constructed of un-reinforced membrane are typically installed in two sections, a horizontal piece that extends onto the roofing membrane and a vertical piece that extends up the penetration. The two pieces are overlapped and hot-air welded together.
 3. The un-reinforced membrane flashing shall be adhered to the penetration surface. Apply bonding adhesive at a rate resulting in 60 square feet/gallon of finished roofing material for solvent-based bonding adhesives, and at a rate of 125 square feet/gallon of finished roofing material for water-borne bonding adhesive. Apply bonding adhesive to both the underside of the membrane and the substrate surface at 120 square feet per gallon (Solvent Based) and 250 square feet per gallon (Water Based). A greater quantity of bonding adhesive may be required based upon the substrate surface condition. The bonding adhesive must be allowed to dry until tacky to the touch before flashing membrane application.
- E. Roof Edges:
1. New wood nailers are to be installed at the entire perimeter edge of the roof to match the depth of the insulation. All eave trim, edge trim and ridge trim metal is to be removed and replaced with new 24 gauge prefinished metal. If coated metal is utilized, owner will pick a color from the approved manufacturer's standard range of colors.
 2. Roof edge flashings are applicable for gravel stop and drip edge conditions as well as for exterior edges of parapet walls.
 3. Flash roof edges with metal flanges nailed 4" O.C. to pressure-treated wood nailers. Where required, hot-air weld roof membrane to coated metal flanges.
 4. When the fascia width exceeds 4", coated metal roof edging must be attached with a continuous cleat to secure the lower fascia edge. The cleat must be secured to the building no less than 12" O.C.
 5. Alternatively, roof edges may be flashed with a 2-piece snap on fascia system, adhering the roof membrane to a metal cant and face nailing the membrane 8" on center prior to installing a snap-on fascia.
 6. Flash roof edge scuppers with a coated metal insert that is mechanically attached to the roof edge and integrated as a part of the metal edging.

DIVISION 7 - THERMAL & MOISTURE PROTECTION

SECTION 07540 - THERMOPLASTIC POLYOLEFIN (TPO) ROOFING SYSTEM

- F. Parapet and Building Walls:
1. Flash walls with TPO membrane adhered to existing substrate with bonding adhesive.
 2. Secure membrane flashing at the top edge of parapet wall.
 3. Roof membrane must be mechanically attached along the base of walls with screws and plates (deck securement) or screws and inverted termination bar (wall securement) at the following rate: 12" o.c.
 4. All coated metal wall flashings and loose applied membrane flashings must be provided with separate metal counterflashings, or metal copings.
 5. Metal counterflashings may be optional with fully adhered flashings depending on guarantee requirements. Exposed termination bars must be sealed with approved manufacturer's all purpose caulking.
- G. Curbs and Ducts (where applicable):
1. Flash curbs and ducts with TPO membrane adhered to the curb substrate with bonding adhesive, loose applied (Less than 18" in height) or with coated metal flashing nailed 4" on center to pressure-treated wood nailers.
 2. Secure membrane flashing at the top edge with a termination bar. Water Block shall be applied between the curb/duct surface and membrane flashing underneath all termination bars. Exposed termination bars shall be mechanically fastened every 8"o.c.; termination bars that are counter flashed shall be fastened 12" on center.
 3. Roof membrane must be mechanically attached along the base of walls with screws and plates (deck securement) or screws and inverted termination bar (wall securement) at the following rate: 12" o.c.
 4. All coated metal curb flashings and loose applied membrane flashings must be provided with separate metal counterflashings, or metal copings.
 5. Metal counterflashings may be optional with fully adhered flashings depending on guarantee requirements. Exposed termination bars must be sealed with the approved manufacturer's all purpose caulking.

3.05 Daily Seal and Roof Protection:

- A. On phased roofing, when the completion of flashings and terminations is not achieved by the end of the workday, a daily seal must be performed to temporarily close the membrane to prevent water infiltration. Temporary tie-ins shall be removed prior to commencement of work the following day.

DIVISION 7 - THERMAL & MOISTURE PROTECTION

SECTION 07540 - THERMOPLASTIC POLYOLEFIN (TPO) ROOFING SYSTEM

- B. Whenever possible, stage materials in such a manner that foot traffic is minimized over completed roof areas.
 - C. When it is not possible to stage materials away from locations where partial or complete installation has taken place, temporary walkways and platforms shall be installed in order to protect all completed roof areas from traffic and point loading during the application process.
- 3.09 Field Quality Control And Inspections:
- A. Site Condition: Leave all areas around job site free of debris, roofing materials, equipment and related items after completion of job. Do not allow trash, waste, or debris to collect on the roof. These items shall be removed from the site on a daily basis.
 - B. Properly clean the finished roof surface after completion, and verify the drains are not clogged. Clean and restore all damaged surfaces to their original condition.
 - C. Notification Of Completion: Notify the manufacturer by means of manufacturer's printed Notification of Completion form of job completion in order to schedule a final inspection date.
 - D. Final Inspection:
 - 1. Post-Installation Meeting: Hold a meeting at the completion of the project, attended by all parties that were present at the pre-job conference. A punch list of items required for completion shall be compiled by the Contractor and the manufacturer's representative. Complete, sign, and mail the punch list form to the manufacturer's headquarters.
 - E. Issuance Of The Guarantee: Complete all post installation procedures and meet the manufacturer's final endorsement for issuance of the specified guarantee.

End of Section

DIVISION 7 - THERMAL AND MOISTURE PROTECTION

SECTION 07550 - MODIFIED BITUMEN MEMBRANE ROOFING SYSTEM

Part 1 - General

1.01 Section Includes:

- A. Preparation of Substrate to Receive Roofing Materials
- B. Roof Insulation Application to Prepared Substrate
- C. Roof Membrane Application
- D. Roof Flashing Application
- E. Incorporation of Sheet Metal Flashing Components and Roofing Accessories into the Roof System

1.02 Products Installed But Not Furnished Under This Section:

- A. Sheet Metal Flashing and Trim
- B. Sheet Metal Roofing Specialties

1.03 Related Sections:

- A. Roof Decks - Section 05310
- B. Rough Carpentry - Section 06100
- C. Insulation - Section 07200
- D. Flashing & Sheet Metal Section 07600

1.04 Reference Standards:

References in these specifications to standards, test methods and codes, are implied to mean the latest edition of each such standard adopted. The following is an abbreviated list of associations, institutions, and societies which may be used as references throughout these specifications.

| | |
|--------|---|
| ASTM | American Society for Testing and Materials Philadelphia, PA |
| FM | Factory Mutual Engineering and Research Norwood, MA |
| NRCA | National Roofing Contractors Association Rosemont, IL |
| OSHA | Occupational Safety and Health Administration Washington, DC |
| SMACNA | Sheet Metal and Air Conditioning Contractors National Association, Chantilly, VA |
| UL | Underwriters Laboratories, Northbrook, IL |

1.05 Description Of Work:

- A. **Project Type:** New installation at existing roof area.
Refer to drawings.
Deck: Metal Slope: **3/8 inch ±** per foot.
- B. **Rigid Insulation:**
 - 1. Top and Bottom Layers: Polyisocyanurate, having a total thickness to match existing. Refer to Section 07200, Insulation.
 - 2. Crickets / tapered: Polyisocyanurate (tapered) providing a roof slope to roof drains (refer to Drawings.)
- C. **Gypsum sheathing panel:** having a thickness of 1/2 inch, mechanically attached, as per FM I-90 requirements.

DIVISION 7 - THERMAL AND MOISTURE PROTECTION

SECTION 07550 - MODIFIED BITUMEN MEMBRANE ROOFING SYSTEM

- D. **Roof System:** Modified Bitumen Base, applied in cold adhesive; stripping and Flashing, applied in cold adhesive. Modified Bitumen Finish Ply, applied in cold adhesive.
- E. **Flashing System:** SBS with continuous metal-foil surfacing, torch applied.

1.06 Submittals:

- A. Submittals Prior to Contract Award:
 - 1. Letter from the proposed primary roofing manufacturer confirming that the bidder is an acceptable Contractor authorized to install the proposed system.
 - 2. Letter from the primary roofing manufacturer stating that the proposed application will comply with the manufacturer's requirements in order to qualify the project for the specified guarantee.
- B. Submittals Prior to Project Close-out:
 - 1. Manufacturer's printed recommendations for proper maintenance of the specified roof system including inspection frequencies, penetration addition policies, temporary repairs, and leak call procedures.

1.07 Quality Assurance:

- A. **Acceptable Products:** Primary roofing products, including each type of sheet, all manufactured in the United States, shall be supplied by a single manufacturer which has been successfully producing the specified types of primary products for not less than 10 years. The primary roofing products shall have maintained a consistent composition for a minimum of five years.
- B. **Agency Approvals:** The proposed roof system shall conform to the following requirements. No other testing agency approvals will be accepted.
 - 1. Underwriters Laboratories Class A acceptance of the proposed roofing system without additional requirements for coatings.
- C. **Acceptable Contractor:** Contractor shall have a minimum of 10 years of experience in successfully installing the same or similar roofing materials and be certified in writing by the roofing materials manufacturer to install the primary roofing products for a minimum of 5 years prior to the date of bid opening.
 - 1. **Torch Applicators:** Contractor shall employ torch applicators who have successfully passed the CERTA (Certified Roofing Torch Applicator) program requirements as provided by the National Roofing Contractors Association (NRCA).
 - 2. The Contractor shall have an office, warehouse with supplies, and permanent roofing crews within a 50 mile radius of Moore, Oklahoma. Contractor shall have had

DIVISION 7 - THERMAL AND MOISTURE PROTECTION

SECTION 07550 - MODIFIED BITUMEN MEMBRANE ROOFING SYSTEM

"NDL" (No Dollar Limit) approval for 5 years AT THIS AREA OFFICE from manufacturer and shall perform a minimum of ten (10) NDL manufacturer guarantees per year.

3. Owner's Roofing Contractor (Universal Roofing and Sheet Metal located in Moore, Oklahoma) shall be utilized on this project. The bid shall be based on the provided drawings and specifications, and agreed-to pricing.

- D. Scope of Work: The work to be performed under this specification shall include but is not limited to the following: Attend necessary job meetings and furnish competent and full-time supervision, experienced roof mechanics, all materials, tools, and equipment necessary to complete, in an acceptable manner, the roof installation in accordance with this specification. Comply with the latest written application instructions of the manufacturer of the primary roofing products. In addition, application practice shall comply with requirements and recommendations contained in the latest edition of the Handbook of Accepted Roofing Knowledge (HARK) as published by the National Roofing Contractors Association, amended to include the acceptance of a phased roof system installation.
 - E. Local Regulations: Conform to regulations of public agencies, including any specific requirements of the city and/or state of jurisdiction.
 - F. Manufacturer Requirements: Ensure that the primary roofing materials manufacturer provides direct trained company personnel to attend necessary job meetings, perform periodic inspections as necessary, and conducts a final inspection upon successful completion of the project.
 - G. Contractor shall have one of the following approved Contractor Certification levels prior to bid opening:
 - Johns Manville - Peak Advantage Contractor
 - Soprema - Soprema Certified Applicator
 - Siplast - Siplast Select Applicator
 - GAF - Master Select Contractor
- 1.08 Product Delivery Storage And Handling:
- A. Delivery: Deliver materials in the manufacturer's original sealed and labeled containers and in quantities required to allow continuity of application.
 - B. Storage: Store materials out of direct exposure to the elements. Store roll goods on a clean, flat and dry surface. All material stored on the roof overnight shall be stored on pallets. Rolls of roofing must be stored on ends. Store materials on the roof in a manner so as to preclude overloading of deck and building structure. Store

DIVISION 7 - THERMAL AND MOISTURE PROTECTION

SECTION 07550 - MODIFIED BITUMEN MEMBRANE ROOFING SYSTEM

materials such as solvents, adhesives, and asphalt cutback products away from open flames, sparks, or excessive heat. Cover all material using a breathable cover such as a canvas. Polyethylene or other non-breathable plastic coverings are not acceptable.

- C. Handling: Handle all materials in such a manner as to preclude damage and contamination with moisture or foreign matter. Handle rolled goods to prevent damage to edges or ends.
- D. Damaged Material: Any materials that are found to be damaged or stored in any manner other than stated above will be automatically rejected, removed, and replaced at the Contractor's expense.

1.09 Project/Site Conditions:

- A. Requirements Prior to Job Start
 - 1. Notification: Give a minimum of 5 days notice to the Owner and manufacturer prior to commencing any work and notify both parties on a daily basis of any change in work schedule.
 - 2. Permits: Obtain all permits required by local agencies and pay all fees which may be required for the performance of the work.
 - 3. Safety: Familiarize every member of the application crew with all fire and safety regulations recommended by OSHA, NRCA and other industry or local governmental groups.
- B. Environmental Requirements:
 - 1. Precipitation: Do not apply roofing materials during precipitation or in the event there is a probability of precipitation during application. Take adequate precautions to ensure that materials, applied roofing, and building interiors are protected from possible moisture damage or contamination.
 - 2. Temperature Restrictions: At ambient temperatures between 40F and 50F, prepare / warm adhesive as directed by manufacturer.
- C. Protection Requirements:
 - 1. Membrane Protection: Provide protection against staining and mechanical damage for newly applied roofing and adjacent surfaces throughout this project.
 - 2. Torch Safety: Designate one person on each crew to perform a daily fire watch. The designated crew member shall watch for fires or smoldering materials on all areas of roof construction. Continue the fire watch after roofing material application has been suspended for the day.
 - 3. Limited Access: Prevent access by the public to

DIVISION 7 - THERMAL AND MOISTURE PROTECTION

SECTION 07550 - MODIFIED BITUMEN MEMBRANE ROOFING SYSTEM

materials, tools, and equipment during the course of the project.

4. Debris Removal: Remove all debris daily from the project site and take to a legal dumping area authorized to receive such materials.
5. Site Condition: Complete, to the owner's satisfaction, all job site clean-up including building interior, exterior and landscaping where affected by the construction.

1.10 Guarantee/Warranty:

- A. Roof Membrane Guarantee: Upon successful completion of the project, and after all post installation procedures have been completed, furnish the Owner with **the manufacturer's ten year labor and materials membrane guarantee**. The guarantee shall be a term type, without deductibles or limitations on coverage amount, and shall be issued at no additional cost to the Owner. This guarantee shall not exclude random areas of ponding from coverage.

- 1.11 **Products of certain manufacturers are specified herein to simplify descriptions of design, construction, and/or materials only. Only the four systems listed in 2.02 Description of Systems below will be accepted for installation on this project.**

Part 2 - Products:

2.01 Roofing System Assembly/Products:

- A. Rigid Roof Insulation: Roof insulation shall be UL and FM approved. Insulation shall be approved in writing by the insulation manufacturer for intended use and for use with the specified roof assembly. Refer to Section 07200.
- B. Recover Board Sheathing Panel for Roof Membrane Substrate: A panel composed of high density fiberboard, non-structural water resistant core material integrally bonded having a nominal thickness of 1/2 inch.
 1. Acceptable Manufacturer: Fiberboard Coated High Density Roof Insulation, by Huebert.
- C. Gypsum Sheathing Panel for Wood/Plywood Surfaces to Receive Flashing Coverage: A panel composed of a gypsum based, non-structural water resistant core material integrally bonded with fiberglass mats on both sides having a nominal thickness of 1/2 inch. The panel surface shall be factory primed with a non-asphaltic primer.
 1. Acceptable Manufacturer: DensDeck Prime Gypsum Roof Board, by Georgia Pacific Corporation; Atlanta, GA

2.02 Description Of Systems:

- A. Roofing Membrane Assembly: A roof membrane assembly consisting of two plies of a prefabricated, reinforced,

DIVISION 7 - THERMAL AND MOISTURE PROTECTION

SECTION 07550 - MODIFIED BITUMEN MEMBRANE ROOFING SYSTEM

homogeneous Styrene-Butadiene-Styrene (SBS) block copolymer modified asphalt membrane, applied over a prepared substrate. Both reinforcement mats shall be impregnated/saturated and coated each side with an SBS modified bitumen blend. The roof system shall pass 500 cycles of ASTM D 5849 Resistance to Cyclic Joint Displacement (fatigue) at 14F - or show evidence of other independent testing indicating resistance fatigue, membrane cracking and delamination. Passing results shall show no signs of membrane cracking or interply delamination after 500 cycles. The roof system shall pass 200 cycles of ASTM D 5849 after heat conditioning performed in accordance with ASTM D 5147. The assembly shall possess waterproofing capability, such that a phased roof application, with only the modified bitumen base ply in place, can be achieved for prolonged periods of time without detriment to the watertight integrity of the entire roof system.

1. Acceptable Manufacturer: Johns Manville roof system:
 - a. Modified Bitumen Base, Stripping, and Flashing Reinforcing Ply.
JM DynaBase
 - b. Modified Bitumen Finish Ply
JM DynaGlas FR
 - c. Stripping Ply and Flashing Reinforcing Sheet
JM DynaPly
- B. Flashing Membrane Assembly: A flashing membrane assembly consisting of a prefabricated, reinforced, Styrene-Butadiene-Styrene (SBS) block copolymer modified asphalt membrane with a continuous, channel-embossed metal-foil surfacing. The finish ply shall conform to ASTM D 6298 and the following physical and mechanical property requirements.
 1. Acceptable Manufacturer: Johns Manville flashing system, aluminum finish
 - a. Cant Backing Sheet for Wood/Plywood Surfaces to Receive Flashing Coverage: applicable JM product.
 - b. Metal-Clad Modified Bitumen Flashing Sheet: JM DynaClad Flashing
 - c. Cant Strip: JM FesCant Plus Cant Strips
- C. Catalyzed Acrylic Resin Flashing System: A specialty flashing system consisting of a liquid-applied, fully reinforced, multi-component acrylic membrane installed over a prepared or primed substrate. The flashing system consists of a catalyzed acrylic resin primer, basecoat and topcoat, combined with a non-woven polyester fleece. The resin and catalyst are pre-mixed immediately prior to installation. The use of the specialty flashing system

DIVISION 7 - THERMAL AND MOISTURE PROTECTION

SECTION 07550 - MODIFIED BITUMEN MEMBRANE ROOFING SYSTEM

shall be specifically approved in advance by the membrane manufacturer for each application.

1. Acceptable Manufacturer: Flashing System by Johns Manville; Denver, CO
- D. Additional Roof Systems: The following additional roof systems are acceptable for use in lieu of the specified roof system.
 1. GAF Materials Corp., Wayne, NJ
 - Base Ply B Ruberoid Mop Smooth
 - Finish Ply B Ruberoid Mop FR - cap ply Plus
 - Flashing Sheet B Ruberoid Ultraclad SBS
 - Stripping Ply and Flashing Reinforcing Sheet - Ruberoid Mop Smooth
 2. Soprema, Inc., Wadsworth, OH
 - Base Ply - Elastophene Sanded 2.2
 - Finish Ply - Elastophene LS FR GR
 - Flashing Sheet - Sopralast 50 TV ALU
 - Stripping Ply and Flashing Reinforcing Sheet - Elastophene Sanded 2.2

2.03 Roofing Accessories:

- A. Roofing Adhesives:
 1. Membrane Cold Adhesive: An asphalt, solvent blend conforming to ASTM D 3019, Type III requirements.
 - a. Acceptable Manufacturer: MBR Cold Application Adhesive by Johns Manville; Denver, CO
- B. Bituminous Cutback Materials:
 1. Primer: An asphalt, solvent blend conforming to ASTM D 41 requirements.
 2. Mastics: An asphalt cutback mastic, reinforced with non-asbestos fibers, used as a base for setting metal flanges conforming to ASTM D 4586 Type II requirements.
- C. Sealant: A moisture-curing, non-slump elastomeric sealant designed for roofing applications. The sealant shall be approved by the roof membrane manufacturer for use in conjunction with the roof membrane materials.
- D. Ceramic Granules: No. 11 grade specification ceramic granules of color scheme matching the granule surfacing of the finish ply.
- E. Metallic Powder: A finely graded metal dust as supplied or approved by the membrane manufacturer, used for covering of bitumen overruns over the foil surfaced membrane.
- F. Perlite Cant Strips: A cant strip composed of expanded volcanic minerals combined with waterproofing binders. The top surface shall be pre-treated with an asphalt based coating. The face of the cant shall have a nominal 4 inch

DIVISION 7 - THERMAL AND MOISTURE PROTECTION

SECTION 07550 - MODIFIED BITUMEN MEMBRANE ROOFING SYSTEM

dimension.

G. Fasteners:

1. Gypsum Sheathing Panel Fasteners for Roofing Substrates and Wood/Plywood Flashing Surfaces: Gypsum sheathing panel fasteners and plates shall be FM Approved, and/or approved by the manufacturer of the primary roofing products. The fastening pattern for each panel to be used shall be as recommended by the panel manufacturer and approved by the manufacturer of the primary roofing products. Acceptable panel fastener manufacturers for specific substrate types are listed below.
 - a. Wood/Plywood Flashing Surfaces: Gypsum sheathing panel mechanical fasteners shall be factory coated for corrosion resistance. The fastener shall conform meet or exceed Factory Mutual Standard 4470 and when subjected to 30 Kesternich cycles, show less than 15% red rust. Acceptable fastener types for wood/plywood substrates are listed below.
 - 1) A fluorocarbon coated screw type roofing fastener having a minimum 0.220 inch thread diameter. Plates used in conjunction with the fastener shall be a metal type having a minimum 3 inch diameter, as supplied by the fastener manufacturer.
 - b. Acceptable Manufacturer=s:
 - 1) Ultrafast Fastener with UltraFast Round Metal Plates by Johns Manville; Denver, CO
 - 2) Dekfast #12 with Dekfast Steel Hexagonal Plates by Construction Fasteners, Inc.; Wyomissing, PA
 - 3) Standard Roofing Fastener by Olympic Manufacturing Group, Agawam; MA
2. Flashing Reinforcing Sheet Fasteners: Fasteners shall be approved by the manufacturer of the primary roofing products. Acceptable fasteners for specific substrate types are listed below.
 - a. Wood/Plywood Substrates
 - 1) A 12 gauge, spiral or annular threaded shank, zinc coated steel roofing fastener having a minimum 1 inch head.
 - 2) Square Cap by W.H. Maze Co.; Peru, IL
12 Gauge Simplex Nail by the Simplex Nail and Manufacturing Co., Americus, GA
 - 3) Fasteners shall be applied to meet FM-I90

DIVISION 7 - THERMAL AND MOISTURE PROTECTION

SECTION 07550 - MODIFIED BITUMEN MEMBRANE ROOFING SYSTEM

requirements. At crickets, if insulation thickness prohibits satisfactory application of fasteners, use adhesive similar to Para-STIK insulation adhesive.

- H. Walktread (if applicable): A prefabricated, puncture resistant polyester core reinforced, polymer modified bitumen sheet material topped with a ceramic-coated granule wearing surface.
 - 1. Thickness: 0.25 in
 - 2. Width: 32 in
 - 3. Acceptable Manufacturer: DynaTred Roof Walkway Pads by Johns Manville; Denver, CO
- I. Pipe Supports Typical:
 - 1. Roller System: A Aroller-bearing@ pipe support for roof-mounted gas pipes, RTU condensate lines, and electrical conduit up to 4" I.D. or 5"O.D. Pipes rest on a self-lubricating roller system which is made of a stainless steel or glass-filled nylon rod and a sturdy polycarbonate resin roller. Pipe support base shall be manufactured of polycarbonate resin with a roller rod of glass-filled nylon, and stainless steel metal parts.
 - 2. Load Weight: Maximum load weight may not exceed 125 lbs. per pipestand.
 - 3. Spacing: Not to exceed 10 foot centers. Do not exceed 125 lbs. load weight and adjust pipe stand in height to even load.
 - 4. Acceptable Manufacturer: Pillow Block Pipestand Model 4-R, Miro Industries, Inc., 1780 West 2300 South, Salt Lake City, Utah 84119.
- J. Pipe Supports at Turns In Large Piping:
 - 1. Pipe Support Hangers: A Aclevis hanger@ pipe support hanger for roof mounted gas pipes at all large (over 4" I.D.) piping corners, bends, and Atees@/pipe intersections. Pipes rest on a clevis hanger with a support base of stainless steel polycarbonate. All other metal parts are hot-dip galvanized steel.
 - 2. Load Weight: Maximum load weight not to exceed 310 lbs. per pipestand or 155 lbs. on each base.
 - 3. Spacing: Locate Aclevis@ type pipe hangers at all corners, bends, and Atees@/pipe intersections not to exceed 10'-0" o.c. maximum. Do not exceed 310 lbs. load weight (155 lbs. on each base) and make certain each pipestand is adjusted in height to even load at all pipestands.
 - 4. Acceptable Manufacturer: Pillow Block Pipestand Model

DIVISION 7 - THERMAL AND MOISTURE PROTECTION

SECTION 07550 - MODIFIED BITUMEN MEMBRANE ROOFING SYSTEM

6-H, Miro Industries, Inc., 1780 West 2300 South, Salt Lake City, Utah 84119.

- K. Penetration Dam/Sealer Pockets shall be similar to:
ChemCurb System: gray polyester resin exterior forms, structural sealant and One (1) part self-leveling moisture cure pourable sealer (gray).

Part 3- Execution

3.01 Preparation:

- A. General: Sweep or vacuum all surfaces, removing all loose aggregate and foreign substances prior to commencement of roofing.

3.02 Substrate Preparation - Metal Deck / Insulation:

- A. Preparation of Wood/Plywood Substrates to Receive Flashing Materials: Mechanically attach the gypsum sheathing panels to all wood/plywood substrates that will be covered with the specified flashing membrane, using the specified screws/plates, at 12 inches o.c. staggered. Cut the cant backing sheet into 12 inch widths and peel the release film from the back of the sheet. Set the sheet into place extending 6 inches onto the field of the roof area and 6 inches up the gypsum sheathing panel surface utilizing minimum 3 inch side laps. Set the cant into place prior to installation of the roof membrane base ply.
- B. Insulation Panel - thickness as required to match existing: Mechanically attach the insulation panels, using the specified fasteners, at a rate of 1 fastener for every 2.7 square feet of panel area (12 per 4' x 8' panel). Increase the fastening frequency by 50% at the perimeter of the roof area and by 75% at the corners. Meet FM I-90 requirements.
- C. Gypsum Sheathing Panels: Install sheathing panels, and any tapered insulation in hot asphalt, with end joints offset; edges of the panels shall be in moderate contact without forcing applied in strict accordance with the insulation manufacturer's requirements and the following instructions.

3.04 Roof Membrane Installation:

- A. Membrane Application: Apply roofing in accordance with roofing system manufacturer's instructions and the following requirements. Application of roofing membrane components shall immediately follow application of base sheet and/or insulation as a continuous operation.
- B. Aesthetic Considerations: An aesthetically pleasing overall appearance of the finished roof application is a standard requirement for this project. Make necessary preparations, utilize recommended application techniques, apply the specified materials including granules and

DIVISION 7 - THERMAL AND MOISTURE PROTECTION

SECTION 07550 - MODIFIED BITUMEN MEMBRANE ROOFING SYSTEM

- metallic powder, and exercise care in ensuring that the finished application is acceptable to the Owner.
- C. Priming: Prime metal and concrete and masonry surfaces with a uniform coating of the specified primer.
 - D. Membrane Adhesive Application: Membrane adhesive can be applied by roller, squeegee or spray unit. Apply cold adhesive in a smooth, even, continuous layer without breaks or voids. Utilize an application rate of 2 to 2 1/2 gal/sq over irregular or porous substrates. Utilize an application rate of 1 1/2 to 2 gal/sq for interply applications. Double the adhesive application rate at the end laps of granule surfaced sheets. In the areas surrounding details that are to receive the catalyzed acrylic resin primer and flashing system, apply membrane plies in a full coating of the specified elastomeric sealant in lieu of the solvent based adhesive a minimum 8 inches from the base of the penetration or curb.
 - E. Bitumen Consistency: Cutting or alterations of bitumen, primer, and sealants will not be permitted.
 - F. Roofing Application: Apply all layers of roofing free of wrinkles, creases, or fishmouths. Exert sufficient pressure on the roll during application to ensure prevention of air pockets.
 - 1. Apply all layers of roofing perpendicular to the slope of the deck.
 - 2. Fully bond the base ply to the prepared substrate, utilizing minimum 3 inch side and end laps. Apply each sheet directly behind the asphalt applicator. Cut a dog ear angle at the end laps on overlapping selvage edges. Using a clean trowel, apply top pressure to top seal T-laps immediately following sheet application. Stagger end laps a minimum of 3 feet.
 - 3. Fully bond the finish ply to the base ply, utilizing minimum 3 inch side and end laps. Apply each sheet directly behind the cold adhesive applicator. Stagger end laps of the finish ply a minimum 3 feet. Cut a dog ear angle at the end laps on overlapping selvage edges. Using a clean trowel, apply top pressure to top seal T-laps immediately following sheet application. Stagger side laps of the finish ply a minimum 12 inches from side laps in the underlying base ply. Stagger end laps of the finish ply a minimum 3 feet from end laps in the underlying base ply.
 - 4. Maximum sheet lengths and special fastening of the specified roof membrane system may be required at

DIVISION 7 - THERMAL AND MOISTURE PROTECTION

SECTION 07550 - MODIFIED BITUMEN MEMBRANE ROOFING SYSTEM

various slope increments where the roof deck slope exceeds 1/2 inch per foot. The manufacturer shall provide acceptable sheet lengths and the required fastening schedule for all roofing sheet applications to applicable roof slopes.

- G. Granule Embedment: Broadcast mineral granules over all bitumen overruns on the finish ply surface, while the bitumen is still hot or the adhesive is soft, to ensure a monolithic surface color.
- H. Flashing Application - masonry surfaces: Flash masonry parapet walls and curbs using the reinforcing sheet and the metal foil flashing membrane. After the base ply has been applied to the top of the cant, fully adhere the reinforcing sheet, utilizing minimum 3 inch side laps and extend a minimum of 3 inches onto the base ply surface and 3 inches up the parapet wall above the cant. After the final roofing ply has been applied to the top of the cant, prepare the surface area that is to receive flashing coverage by torch heating granular surfaces or by application of asphalt primer; allowing primer to dry thoroughly. Torch apply the metal foil-faced flashing into place using three foot widths (cut off the end of roll) always lapping the factory selvage edge. Stagger the laps of the metal foil flashing layer from lap seams in the reinforcing layer. Extend the flashing sheet a minimum of 4 inches beyond the toe of the cant onto the prepared surface of the finished roof and up the wall to the desired flashing height. Exert pressure on the flashing sheet during application to ensure complete contact with the wall/roof surfaces, preventing air pockets; this can be accomplished by using a damp sponge or shop rag. Check and seal all loose laps and edges. Nail the top edge of the flashing on 9 inch centers. (See manufacturer's schematic for visual interpretation).
- I. Flashing Application B surfaces sheathed with gypsum sheathing panels: After the gypsum sheathing panel and cant backing sheet have been installed, flash parapet walls and curbs with the specified reinforcing sheet and the metal foil flashing membrane. The reinforcing sheet shall have minimum 3 inch side laps and extend a minimum of 3 inches onto the base ply surface and to the top of the parapet wall or curb. Using the specified fasteners, mechanically attach the reinforcing sheet through the field of the sheet to the vertical flashing surface on 12 inch centers from the top of the cant to the top of the wall or curb. Fully adhere the remainder of the flashing

DIVISION 7 - THERMAL AND MOISTURE PROTECTION

SECTION 07550 - MODIFIED BITUMEN MEMBRANE ROOFING SYSTEM

reinforcing sheet that extends over the cant and roof level. Using a Leister Hand Welding Tool, seal the laps between flashing reinforcing sheets. After the final roofing ply has been applied to the top of the cant, prepare the surface area that is to receive flashing coverage by torch heating granular surfaces or by application of asphalt primer; allowing primer to dry thoroughly. Torch apply the metal foil-faced flashing into place using three foot widths (cut off the end of roll) always lapping the factory selvage edge. Stagger the laps of the metal foil flashing layer from lap seams in the reinforcing layer. Extend the flashing sheet a minimum of 4 inches beyond the toe of the cant onto the prepared surface of the finished roof and up the wall to the desired flashing height. Exert pressure on the flashing sheet during application to ensure complete contact with the wall/roof surfaces, preventing air pockets; this can be accomplished by using a damp sponge or shop rag. Check and seal all loose laps and edges. Nail the top edge of the flashing on 9 inch centers. (See manufacturer's schematic for visual interpretation).

- J. Catalyzed Acrylic Resin Flashing System: Install the liquid-applied primer and flashing system in accordance with the membrane system manufacturer's printed installer's guidelines and other applicable written recommendations as provided by the manufacturer.
 - K. Use of Metallic Powder: Broadcast metallic powder over all bitumen overruns on the metal foil membrane surface while the bitumen is still hot to ensure a monolithic surface color.
 - L. Water Cut-Off: At end of day's work, or when precipitation is imminent, construct a water cut-off at all open edges. Cut-offs can be built using asphalt or plastic cement and roofing felts, constructed to withstand protracted periods of service. Cut-offs must be completely removed prior to the resumption of roofing.
- 3.05 Roof System Interface With Related Components:
- A. Walktread: Cut the walktread into maximum 5 foot lengths and allow to relax until flat. Adhere the sheet using the specified plastic cement. Apply the specified cement in a 3/8 inch thickness to the back of the product in 5 inch by 5 inch spots in accordance with the pattern as supplied by the walktread manufacturer. Walk-in each sheet after application to ensure proper adhesion. Use a minimum spacing of 2 inches between sheets to allow for proper drainage.

DIVISION 7 - THERMAL AND MOISTURE PROTECTION

SECTION 07550 - MODIFIED BITUMEN MEMBRANE ROOFING SYSTEM

- B. Sealant: Apply a smooth continuous bead of the specified sealant at the exposed finish ply edge transition to metal flashings incorporated into the roof system.
- 3.06 Field Quality Control And Inspections:
- A. Site Condition: Leave all areas around job site free of debris, roofing materials, equipment, and related items after completion of job.
 - B. Notification Of Completion: Notify the manufacturer by means of manufacturer's printed Notification of Completion form of job completion in order to schedule a final inspection date.
 - C. Final Inspection:
 - 1. Post-Installation Meeting: Hold a meeting at the completion of the project, attended by all parties that were present at the pre-job conference. A punch list of items required for completion shall be compiled by the Contractor and the manufacturer's representative. Complete, sign, and mail the punch list form to the manufacturer's headquarters.
 - D. Issuance Of The Guarantee: Complete all post installation procedures and meet the manufacturer's final endorsement for issuance of the specified guarantee.

End of Section

DIVISION 7 - THERMAL & MOISTURE PROTECTION

SECTION 07600 - FLASHING AND SHEET METAL

Part 1 - General

1.01 Work Included:

- A. All materials, labor, services and incidentals necessary for the completion of this section of the work.

1.02 Related Work Specified Elsewhere:

- A. Modified Bitumen Membrane Roofing System - Section 07550
- B. Sealants - Section 07900

1.03 Quality Assurance:

- A. Standards:
 - 1. American Society of Testing and Materials
 - a. ASTM A-526, Steel Sheet, Zinc-Coated (Galvanized), Commercial Quality.
 - b. ASTM B-32, Solder Metal
 - 2. Federal Specifications:
 - a. SS-C-153B, Cement, Bituminous, Plastics
 - 3. Sheet Metal and Air Conditioning Contractors National Association:
 - a. Architectural Sheet Metal Manual

- 1.04 Products of certain manufacturers are specified herein to simplify descriptions of design, construction, and/or materials only. Proprietary names are not intended to imply that products of named manufacturer are required to the exclusion of equivalent products of other manufacturers.**

Part 2 - Products

2.01 Materials:

- A. Prefinished Sheet Metal overflow scuppers and Prefinished Metal Coping:
 - 1. Galvanized iron, prefinished one side.
 - 2. Gauge: 24 gauge, of design and width as detailed.
 - 3. Acceptable manufacturer: Color Klad - Vincent Brass and Aluminum Co.
 - 4. Finish: Kynar 500 - Refer Color Schedule
- B. Sheet Metal:
 - 1. Galvanized Sheet Steel: ASTM A-526, Commercial Quality.
 - 2. Gauge: 22 Gauge minimum or as required by Drawings or Specifications.
- C. Fasteners: Nails, screws, and other fasteners used in conjunction with this work shall be galvanized or cadmium plated.
- D. Solder: ASTM B-32, alloy grade 58, 50% tin, 50% lead.
- E. Flux: Muriatic acid with zinc.
- F. Sealants: Rubber based compound - refer to Section 07900.
- G. Bituminous Plastic Cement: FS SS-C-153B.

DIVISION 7 - THERMAL & MOISTURE PROTECTION

SECTION 07600 - FLASHING AND SHEET METAL

- H. Accessories: Provide accessories as recommended by manufacturer or as indicated on Drawings.

Part 3 - Execution

3.01 Fabrication:

- A. Shape and install sheet metal as indicated on Drawings. Comply with recommendations of SMACNA "Architectural Sheet Metal Manual."
- B. Form exposed faces flat and free of buckles, excessive wave and tool marks. Provide uniform, neat seams with minimum exposure of solder, welds, and sealant.
- C. Hem all exposed edges.
- D. Make waterproof corner joints by soldering solidly. Joints shall be full-lapped.
- E. Soldering: Shall be done slowly with well heated coppers to thoroughly heat the sheet and completely sweat the solder through the full width of the seam. Ample solder shall be used and the seam shall show a least one full inch of evenly flowed solder. Soldering coppers: Shall be heavy and blunt design, properly tinned before using. Neutralize all excess flux.
- F. Provide for thermal expansion of running trim, flashing and other items exposed for more than 15'-0" continuous length. Locate expansion seams at 10'-0" intervals and 2'-0" each side of corners and intersections.
- G. Angle bottom edges of exposed vertical surfaces to form drips.

3.02 Installation and Application:

- A. General:
 - 1. Furnish those items to be installed by other trades to proper grade for installation.
 - 2. Cooperate with and coordinate installation of sheet metal with roofing work as specified under Membrane Roofing - Section 07500.
 - 3. Install work watertight, without waves, warps, buckles, fastening stresses or distortion, allowing for expansion and contraction.
 - 4. Embed all flashing in plastic cement. Coat dissimilar metals from contact with bituminous coating.
- B. Metal Coping:
 - 1. Material: 24 gauge, prefinished sheet metal.
 - 2. Fabricate and install in accordance with drawings, and recognized sheet metal practices.
 - 3. Secure coping bedded in plastic cement to blocking.
 - 4. At joints, bed coping in plastic cement and secure on side to backing strip by soldering solid. Do not use screws

DIVISION 7 - THERMAL & MOISTURE PROTECTION

SECTION 07600 - FLASHING AND SHEET METAL

- or nails in exposed face to coping.
5. Lower edge of coping to be securely hooked to hook strip. Secure to wood blocking with No. 8 x 1" galvanized sheet metal screws at 8 o.c.

End of Section

DIVISION 7 - THERMAL & MOISTURE PROTECTION

SECTION 07840 - FIRESTOPPING

Part 1 - General

1.01 Related Documents:

- A. Drawings and general provisions of Contract, including General and Supplementary Conditions and Division-1 Specification Section, apply to work specified in this section.

1.02 Definitions:

- A. Firestopping: Material or combination of materials used to retain integrity of fire-rated construction by maintaining an effective barrier against the spread of flame, smoke, and hot gases through penetrations in, or construction joints between, fire rated wall and floor assemblies.

1.03 General Description of the Work:

- A. Only tested firestop systems shall be used in specific locations as follows:
 1. Penetrations for the passage of duct, cable, cable tray, conduit, piping, electrical busways and raceways through fire-rated vertical barriers (walls and partitions), horizontal barriers (floor/ceiling assemblies), and vertical service shaft walls and partitions.
 2. Safing slot gaps between edge of floor slabs and curtain walls.
 3. Openings between structurally separate sections of wall or floors.
 4. Gaps between the top of walls and ceilings or roof assemblies.
 5. Expansion joints in walls and floors.
 6. Openings and penetrations in fire-rated partitions or walls containing fire doors.
 7. Openings around structural members which penetrate floors or walls.

1.04 Related Work Specified Elsewhere:

- A. Coordinate work of this section with work of other sections as required to properly execute the work and as necessary to maintain satisfactory progress of the work of other sections, including:
 1. Section 03300 - Cast-In-Place Concrete
 2. Section 04810 - Masonry
 3. Section 07900 - Sealants
 4. Section 09250 - Gypsum Wallboard
 5. Section ***** - Fire Suppression Piping
 6. Section ***** - Common Work Results for Plumbing
 7. Section ***** - Common Work Results for HVAC
 8. Section ***** - HVAC Insulation
 9. Section ***** - Basic Electrical Materials and Methods

1.05 References:

DIVISION 7 - THERMAL & MOISTURE PROTECTION

SECTION 07840 - FIRESTOPPING

- A. Test Requirements: ASTM E 814, "Standard Method of Fire Tests of Through Penetration Fire Stops".
- B. Test Requirements: UL 1479, "Fire Tests of Through-Penetration Firestops".
- C. Test Requirements: UL 2079, "Tests for Fire Resistance of Building Joint Systems".
- D. Underwriters Laboratories (UL) of Northbrook, IL publishes tested systems in their "FIRE RESISTANCE DIRECTORY" that is updated annually.
 - 1. UL Fire Resistance Directory:
 - a. Firestop Devices (XHJI)
 - b. Fire Resistance Ratings (BXRH)
 - c. Through-Penetration Firestop Systems (XHEZ)
 - d. Fill, Voids, or Cavity Material (XHHW)
 - e. Forming Materials (XHKU)
 - f. Joint Systems (XHBN)
 - g. Perimeter Fire Containment Systems (XHDG)
 - 2. Alternate Systems: "Omega Point Laboratories Directory" (updated annually).
- E. Test Requirements: ASTM E 1966, "Standard Test Method for Fire Resistive Joint Systems".
- F. Inspection Requirements: ASTM E 2174, "Standard Practice for On-site Inspection of Installed Fire Stops".
- H. ASTM E 84, "Standard Test Method for Surface Burning Characteristics of Building Materials".
- I. International Firestop Council Guidelines for Evaluating Firestop Systems Engineering Judgments.
- J. All major building codes: ICBO, SBCCI, BOCA, IBC
- K. NFPA 101 - Life Safety Code
- L. NFPA 70 - National Electric Code

THROUGH-PENETRATION UL CLASSIFICATION SYSTEM

Fire Stopping Systems

UL Classification System

| | | Construction Penetrated | Type Of Construction | System Identification |
|---|--------------------------------------|----------------------------|-------------------------|--------------------------|
| 1 | No Penetrating Items: | F, W, C | A, B, J, K, L | 0001-0999 |
| 2 | Metallic Pipes, Conduit or Tubing: | F, W, C | A, B, J, K, L | 1001-1999 |
| 3 | Nonmetallic Pipe, Conduit or Tubing: | F, W, C | A, B, J, K, L | 2001-2999 |
| 4 | Electric Cables: | F, W, C | A, B, J, K, L | 3001-3999 |
| 5 | Cable, Trays with Electric Cables: | F, W, C | A, B, J, K, L | 4001-4999 |
| 6 | Insulated Pipes: | F, W, C | A, B, J, K, L | 5001-5999 |
| 7 | Electrical Bussduct Penetrations: | F, W, C | A, B, J, K, L | 6001-6999 |

DIVISION 7 - THERMAL & MOISTURE PROTECTION

SECTION 07840 - FIRESTOPPING

| | | | | |
|---|---|---------|------------------|-----------|
| 8 | Mechanical Ductwork Penetrations: Multiple Penetrations Through Common | F, W, C | A, B, J, K, L | 7001-7999 |
| 9 | Openings: | F, W, C | A, B, J, K, L | 8000-8999 |

Construction Penetration

| | |
|---|----------------------------------|
| F | Floor penetration |
| W | Wall penetration |
| C | Either floor or wall penetration |

Type of Construction

| | |
|----|--|
| A- | Concrete floors equal to or less than 5-inches thick |
| B- | Concrete floors greater than 5-inches thick |
| J- | Concrete or masonry walls equal to or less than 8-inches thick |
| K- | Concrete or masonry walls greater than 8-inches thick |
| L- | Framed walls |

JOINT UL CLASSIFICATION SYSTEM

| Fire-Resistant Joint Systems | | UL Classification System | | |
|------------------------------|----------------|--------------------------|-------------|-----------|
| | Joint System | Movement Capability | Joint Width | |
| 1 | Floor-to-Floor | FF | D | 0000-0999 |
| 2 | Wall-to-Wall | WW | D | 0000-0999 |
| 3 | Floor-to-Wall: | FW | D | 0000-0999 |
| 4 | Head of Wall: | HW | D | 0000-0999 |

Movement Capability

| | |
|----|-------------------------|
| D- | Has movement capability |
|----|-------------------------|

Joint Width
0000-0999 Less than or equal to 2-inches

1.06 Quality Assurance

A. **Installer Responsibilities:** A firm experienced installing through-penetration firestop systems similar in material, design and extent to that indicated for this Project, whose work has resulted in construction with a record of

DIVISION 7 - THERMAL & MOISTURE PROTECTION

SECTION 07840 - FIRESTOPPING

successful performance. Qualifications include having the necessary experience, staff, and training to install manufacturer's products per specified requirements.

- B. Firestop System installation must meet requirements of ASTM E 814, UL 1479 or UL 2079 tested assemblies that provide a fire rating equal to that of construction being penetrated.
- C. Proposed firestop materials and methods shall conform to applicable governing codes having local jurisdiction.
- D. Installation Responsibility: Assign installation of through-penetration firestop systems and fire-resistive joint systems in Project to a single qualified installer.
- E. Source Limitations: Obtain through-penetration firestop systems, for each kind of penetration and construction condition indicated, through one source from a single manufacturer.

1.07 Submittals:

- A. Submit Product Data: Manufacturer's specifications and technical data for each material including the composition and limitations, documentation of qualified tested firestop systems to be used and manufacturer's installation instructions.
- B. Submit Manufacturer's engineering judgment identification number and drawing details when no qualified tested system is available for an application. Engineering judgment must include both project name and contractor's name who will install firestop system as described in document.
- C. Submit material safety data sheets provided with product delivered to job-site.

1.08 Installer Qualifications:

- A. Engage an experienced Installer who is certified, licensed, or otherwise qualified by the firestopping manufacturer as having been provided the necessary training to install manufacturer's products per specified requirements.
- B. The work is to be installed by a contractor with at least one of the following qualifications:
 - 1. FM 4991 Approved Contractor
 - 2. UL Approved Contractor
 - 3. Hilti Accredited Fire Stop Specialty Contractor
- C. Installer shall have not less than 3 years of experience with fire stop installation.

1.09 Delivery, Storage and Handling:

- A. Deliver materials undamaged in manufacturer's clearly labeled, unopened containers, identified with brand, type, and UL label where applicable.
- B. Coordinate delivery of materials with scheduled installation date to allow minimum storage time at job-site.
- C. Store materials under cover and protect from weather and damage in compliance with manufacturer's requirements,

DIVISION 7 - THERMAL & MOISTURE PROTECTION

SECTION 07840 - FIRESTOPPING

- including temperature restrictions.
 - D. Comply with recommended procedures, precautions or remedies described in material safety data sheets as applicable.
 - E. Do not use damaged or expired materials.
- 1.10 Project Conditions:
- A. Do not use materials that contain flammable solvents.
 - B. Schedule installation of firestopping after completion of penetrating item installation but prior to covering or concealing of openings.
 - C. Verify existing conditions and substrates before starting work. Correct unsatisfactory conditions before proceeding.
 - D. Weather conditions: Do not proceed with installation of firestop materials when temperatures exceed the manufacturer's recommended limitations for installation printed on product label and product data sheet.
 - E. During installation, provide masking and drop cloths to prevent firestopping materials from contaminating any adjacent surfaces.
- 1.11 **Products of certain manufacturers are specified herein to simplify descriptions of design, construction, and/or materials only. Proprietary names are not intended to imply that products of named manufacturer are required to the exclusion of equivalent products of other manufacturers, providing they meet or exceed that specified.**

Part 2 - Products

- 2.01 Firestopping, General:
- A. Provide firestopping composed of components that are compatible with each other, the substrates forming openings, and the items, if any, penetrating the firestopping under conditions of service and application, as demonstrated by the firestopping manufacturer based on testing and field experience.
 - B. Provide components for each firestopping system that are needed to install fill material. Use only components specified by the firestopping manufacturer and approved by the qualified testing agency for the designated fire-resistance-rated systems.
 - C. Firestopping Materials are either "cast-in-place" (integral with concrete placement) or "post installed." Provide cast-in-place firestop devices prior to concrete placement.
- 2.02 Acceptable Manufacturers:
- A. Subject to compliance with through penetration firestop systems (XHEZ), joint systems (XHBN), and perimeter firestop systems (XHDG) listed in Volume 2 of the UL Fire Resistance Directory; provide products of the following manufacturers as identified below:

DIVISION 7 - THERMAL & MOISTURE PROTECTION

SECTION 07840 - FIRESTOPPING

1. Hilti, Inc., Tulsa, Oklahoma
800-879-8000 / www.us.hilti.com

2.03 Materials:

- A. Use only firestop products that have been UL 1479, ASTM E 814 or UL 2079 tested for specific fire-rated construction conditions conforming to construction assembly type, penetrating item type, annular space requirements, and fire-rating involved for each separate instance.
- B. Pre-installed firestop devices for use with noncombustible and combustible pipes (closed and open systems), conduit, and/or cable bundles penetrating concrete floors and/or gypsum walls, the following products are acceptable:
 1. Hilti CP 680-P Cast-In Place Firestop Device
 - a. Add Aerator adaptor when used in conjunction with aerator ("sovent") system.
 2. Hilti CP 681 Tub Box Kit for use with tub installations.
 3. Hilti CP 680-M Cast-In Place Firestop Device for use with noncombustible penetrants.
 4. Hilti CP 653 Speed Sleeve for use with cable penetrations.
- C. Sealants, caulking materials, or foams for use with non-combustible items including steel pipe, copper pipe, rigid steel conduit and electrical metallic tubing (EMT), the following products are acceptable:
 1. Hilti FS-ONE Intumescent Firestop Sealant
 2. Hilti CP 604 Self-leveling Firestop Sealant
 3. Hilti CP 620 Fire Foam
 4. Hilti CP 606 Flexible Firestop Sealant
 5. Hilti CP 601s Elastomeric Firestop Sealant
- D. Sealants or caulking materials for use with sheet metal ducts, the following products are acceptable:
 1. Hilti CP 601s Elastomeric Firestop Sealant
 2. Hilti CP 606 Flexible Firestop Sealant
 3. Hilti FS-ONE Intumescent Firestop Sealant
- E. Sealants, caulking or spray materials for use with fire-rated construction joints and other gaps, the following products are acceptable:
 1. Hilti CP 672 Speed Spray
 2. Hilti CP 601s Elastomeric Firestop Sealant
 3. Hilti CP 606 Flexible Firestop Sealant
 4. Hilti CP 604 Self-leveling Firestop Sealant
- F. Pre-formed mineral wool designed to fit flutes of metal profile deck and gap between top of wall and metal profile deck; as a backer for spray material.
 1. Hilti CP 777 Speed Plugs
 2. Hilti CP 767 Speed Strips
- G. Intumescent sealants, caulking materials for use with

DIVISION 7 - THERMAL & MOISTURE PROTECTION

SECTION 07840 - FIRESTOPPING

combustible items (penetrants consumed by high heat and flame) including insulated metal pipe, PVC jacketed, flexible cable or cable bundles and plastic pipe, the following products are acceptable:

1. Hilti FS-ONE Intumescent Firestop Sealant
- H. Foams, intumescent sealants, or caulking materials for use with flexible cable or cable bundles, the following products are acceptable:
1. Hilti FS-ONE Intumescent Firestop Sealant
 2. Hilti CP 620 Fire Foam
 3. Hilti CP 601s Elastomeric Firestop Sealant
 4. Hilti CP 606 Flexible Firestop Sealant
- I. Non-curing, re-penetrable intumescent putty or foam materials for use with flexible cable or cable bundles, the following products are acceptable:
1. Hilti CP 618 Firestop Putty Stick
 2. Hilti CP 658T Firestop Plug
- J. Wall opening protective materials for use with U.L. listed metallic and specified nonmetallic outlet boxes, the following products are acceptable:
1. Hilti CP 617 Firestop Putty Pad
 2. Hilti Firestop Box Insert
- K. Firestop collar or wrap devices attached to assembly around combustible plastic pipe (closed and open piping systems), the following products are acceptable:
1. Hilti CP 643N Firestop Collar
 2. Hilti CP 644 Firestop Collar
 3. Hilti CP 648E/CP648S Wrap Strips
- L. Materials used for large openings and complex penetrations made to accommodate cable trays and bundles, multiple steel and copper pipes, electrical busways in raceways, the following products are acceptable:
1. Hilti CP 637 Firestop Mortar
 3. Hilti FS 657 FIRE BLOCK
 4. Hilti CP 620 Fire Foam
 5. Hilti CP 675T Firestop Board
- M. Non curing, re-penetrable materials used for large size/complex penetrations made to accommodate cable trays and bundles, multiple steel and copper pipes, electrical busways in raceways, the following products are acceptable:
1. Hilti FS 657 FIRE BLOCK
 2. Hilti CP 675T Firestop Board
- N. Sealants or caulking materials used for openings between structurally separate sections of wall and floors, the following products are acceptable:
1. Hilti CP 672 Speed Spray
 2. Hilti CP 601s Elastomeric Firestop Sealant
 3. Hilti CP 606 Flexible Firestop Sealant

DIVISION 7 - THERMAL & MOISTURE PROTECTION

SECTION 07840 - FIRESTOPPING

- 4. Hilti CP 604 Self-Leveling Firestop Sealant
- O. For blank openings made in fire-rated wall or floor assemblies, where future penetration of pipes, conduits, or cables is expected, the following products are acceptable:
 - 1. Hilti FS 657 FIRE BLOCK
 - 2. Hilti CP 658T Firestop Plug
- P. Provide a firestop system with a "F" Rating as determined by UL 1479 or ASTM E814 which is equal to the time rating of construction being penetrated.
- Q. Provide a firestop system with an Assembly Rating as determined by UL 2079 which is equal to the time rating of construction joint assembly.

Part 3 - Execution

3.01 Preparation:

- A. Verification of Conditions: Examine areas and conditions under which work is to be performed and identify conditions detrimental to proper or timely completion.
 - 1. Verify penetrations are properly sized and in suitable condition for application of materials.
 - 2. Surfaces to which firestop materials will be applied shall be free of dirt, grease, oil, rust, laitance, release agents, water repellents, and any other substances that may affect proper adhesion.
 - 3. Provide masking and temporary covering to prevent soiling of adjacent surfaces by firestopping materials.
 - 4. Comply with manufacturer's recommendations for temperature and humidity conditions before, during and after installation of firestopping.
 - 5. Do not proceed until unsatisfactory conditions have been corrected.

3.02 Coordination:

- A. Coordinate location and proper selection of cast-in-place Firestop Devices with trade responsible for the work. Ensure device is installed before placement of concrete.
- B. Responsible trades to provide adequate spacing of field run pipes to allow for installation of cast-in-place firestop devices without interferences.

3.03 Installation:

- A. Regulatory Requirements: Install firestop materials in accordance with UL Fire Resistance Directory or Omega Point Laboratories Directory.
- B. Manufacturer's Instructions: Comply with manufacturer's instructions for installation of through-penetration and construction joint materials.
 - 1. Seal all holes or voids made by penetrations to ensure

DIVISION 7 - THERMAL & MOISTURE PROTECTION

SECTION 07840 - FIRESTOPPING

an air and water resistant seal.

2. Consult with mechanical engineer, project manager, and damper manufacturer prior to installation of UL firestop systems that might hamper the performance of fire dampers as it pertains to duct work.
3. Protect materials from damage on surfaces subjected to traffic.

3.04 Field Quality Control:

- A. Examine sealed penetration areas to ensure proper installation before concealing or enclosing areas.
- B. Keep areas of work accessible until inspection by applicable code authorities.
- C. Inspection of through-penetration firestopping shall be performed in accordance with ASTM E 2174, "Standard Practice for On-Site Inspection of Installed Fire Stops" or other recognized standard.
- D. Perform under this section patching and repairing of firestopping caused by cutting or penetrating of existing firestop systems already installed by other trades.

3.05 Identification:

- A. Identify through-penetration firestop systems with pressure-sensitive, self-adhesive, preprinted vinyl labels. Attach labels permanently to surfaces of penetrated construction on both sides of each firestop system installation where labels will be visible to anyone seeking to remove penetrating items or firestop systems. Include the following information on labels:
 1. The words: "Warning -Through Penetration Firestop System-Do Not Disturb. Notify Building Management of Any Damage."
 2. Contractor's Name, address, and phone number.
 3. Through-Penetration firestop system designation of applicable testing and inspecting agency.
 4. Date of Installation.
 5. Through-Penetration firestop system manufacturer's name.
 6. Installer's Name.

3.06 Adjusting and Cleaning:

- A. Remove equipment, materials and debris, leaving area in undamaged, clean condition.
- B. Clean all surfaces adjacent to sealed holes and joints to be free of excess firestop materials and soiling as work progresses.

End of Section

DIVISION 7 - THERMAL & MOISTURE PROTECTION

SECTION 07900 - SEALANTS

Part 1 - General

1.01 Work Included:

- A. All materials, labor services, and incidentals necessary for the completion of this section of the work.

1.02 Quality Assurance:

- A. Standards:
 - 1. TT-S-00230C, Sealing Compound, One Component.
 - 2. Testing Agency Qualifications: Qualified according to ASTM C 1021 to conduct the testing indicated.

1.03 Submittals:

- A. Submit manufacturer's specifications and color chart for each type of sealant.
- B. Samples: For each kind and color of joint sealant required.
- C. Joint-Sealant Schedule: Include the following information:
 - 1. Joint-sealant application, joint location, and designation.
 - 2. Joint-sealant manufacturer and product name.
 - 3. Joint-sealant formulation.
 - 4. Joint-sealant color.
- D. Product test reports.
- E. Preconstruction compatibility and adhesion test reports.
- F. Preconstruction field-adhesion test reports.
- G. Field-adhesion test reports.

1.04 Warranty:

- A. All work done under this section of the work shall be guaranteed for a period of two years from date of final acceptance of the building. Guarantee shall include materials and workmanship required to repair any leaks or the repairs thereof.
- B. Special Warranty: Manufacturer's standard form in which joint sealant manufacturer agrees to furnish joint sealants to repair or replace those that do not comply with performance and other requirements specified in this Section for a period of 10 years from date of final acceptance.

1.05 **Products of certain manufacturers are specified herein to simplify descriptions of design, construction, and/or materials only. Proprietary names are not intended to imply that products of named manufacturer are required to the exclusion of equivalent products of other manufacturers.**

Part 2 - Products

2.01 Materials:

- A. Building Sealant: One part high performance polyurethane waterproofing sealant, FS-TT-S-00230C.
 - 1. Acceptable Manufacturer: Sonneborn NP1 Building Sealant.
 - 2. VOC Content of Interior Sealants: Sealants and sealant primers used inside the weatherproofing system shall

DIVISION 7 - THERMAL & MOISTURE PROTECTION

SECTION 07900 - SEALANTS

comply with the following limits for VOC content when calculated according to 40 CFR 59, Subpart D (EPA Method 24):

- a. Architectural Sealants: 250 gIL.
 - b. Sealant Primers for Nonporous Substrates: 250 gIL.
 - c. Sealant Primers for Porous Substrates: 775 gIL.
3. Liquid-Applied Joint Sealants: Comply with ASTM C 920 and other requirements indicated for each liquid-applied joint sealant specified, including those referencing ASTM C 920 classifications for type, grade, class, and uses related to exposure and joint substrates.
 - a. Suitability for Immersion in Liquids. Where sealants are indicated for Use I for joints that will be continuously immersed in liquids, provide products that have undergone testing according to ASTM C 1247. Liquid used for testing sealants is deionized water, unless otherwise indicated.
 4. Stain-Test-Response Characteristics: Where sealants are specified to be nonstaining to porous substrates, provide products that have undergone testing according to ASTM C 1248 and have not stained porous joint substrates indicated for Project.
 5. Suitability for Contact with Food: Where sealants are indicated for joints that will come in repeated contact with food, provide products that comply with 21 CFR 177.2600.
- B. Silicone Joint Sealants:
1. Mildew-Resistant Neutral-Curing Silicone Joint Sealant: ASTM C 920.
 - a. Manufacturers: Subject to compliance with requirements, available manufacturers offering products that may be incorporated into the Work include, but are not limited to, the following:
 1. BASF Building Systems.
 2. Dow Corning Corporation.
 3. GE Advanced Materials - Silicones.
 4. Pecora Corporation.
 5. Sika Corporation; Construction Products Division.
 6. Tremco Incorporated.
- C. Urethane Joint Sealants: Urethane Joint Sealant: ASTM C 920.
1. Manufacturers: Subject to compliance with requirements, available manufacturers offering products that may be incorporated into the Work

DIVISION 7 - THERMAL & MOISTURE PROTECTION

SECTION 07900 - SEALANTS

- include, but are not limited to, the following:
- a. BASF Building Systems.
 - b. Bostik, Inc.
 - c. Lymtal, International, Inc.
 - d. Pecora Corporation.
 - e. Sika Corporation; Construction Products Division.
 - f. Tremco Incorporated.
- D. Latex Joint Sealants: Latex Joint Sealant: Acrylic latex or siliconized acrylic latex, ASTM C 834, Type OP, GradeNF.
1. Manufacturers: Subject to compliance with requirements, available manufacturers offering products that may be incorporated into the Work include, but are not limited to, the following:
 - a. BASF Building Systems.
 - b. Bostik, Inc.
 - c. Pecora Corporation.
 - d. Tremco Incorporated.
- E. Preformed Joint Sealants: Preformed Foam Joint Sealant: Manufacturer's standard preformed, precompressed, open-cell foam sealant manufactured from urethane foam with minimum density of 10 lb/cu. ft. and impregnated with a nondrying, water-repellent agent. Factory produce in precompressed sizes in roll or stick form to fit joint widths indicated; coated on one side with a pressure-sensitive adhesive and covered with protective wrapping.
1. Manufacturers: Subject to compliance with requirements, available manufacturers offering products that may be incorporated into the Work include, but are not limited to, the following:
 - a. Dayton Superior Specialty Chemicals.
 - b. EM SEAL Joint Systems, Ltd.
 - c. Sandell Manufacturing Co.
 - d. Schul International, Inc.
 - e. Willseal USA, LLC.
- F. Acoustical Joint Sealants: Acoustical Joint Sealant: Manufacturer's standard nonsag, paintable, nonstaining latex sealant complying with ASTM C 834. Product effectively reduces airborne sound transmission through perimeter joints and openings in building construction as demonstrated by testing representative assemblies according to ASTM E 90.
1. Manufacturers: Subject to compliance with requirements, available manufacturers offering products that may be incorporated into the Work include, but are not limited to, the following:
 - a. Pecora Corporation.

DIVISION 7 - THERMAL & MOISTURE PROTECTION

SECTION 07900 - SEALANTS

- b. USG Corporation.
- G. Joint Sealant Backing: cylindrical Sealant Backings: ASTM C 1330, Type C (closed-cell material with a surface skin) Type 0 (open-cell material) or any of the preceding types, as approved in writing by joint sealant manufacturer for joint application indicated, and of size and density to control sealant depth and otherwise contribute to producing optimum sealant performance.
 - 1. Bond-Breaker Tape: Polyethylene tape or other plastic tape recommended by sealant manufacturer.
- H. Miscellaneous Materials: as recommended by sealant manufacturer.
 - 1. Primer: Material recommended by joint-sealant manufacturer where required for adhesion of sealant to joint substrates indicated, as determined from preconstruction joint-sealant-substrate tests and field tests.
 - 2. Cleaners for Nonporous Surfaces: Chemical cleaners acceptable to manufacturers of sealants and sealant backing materials.
 - 3. Masking Tape: Nonstaining, nonabsorbent material compatible with joint sealants and surfaces adjacent to joints.
 - 4. Joint Cleaner
 - 5. Joint Primer/Sealer
 - 6. Bond Breaker Tape
 - 7. Joint Backer-Rod: Closed-cell compressible rod stock, size and shape as required by application.
- I. Caulking compound: Watertight, gun consistency, conforming to FS-TT-C-598, Type 1.
- J. Accessories: As recommended by sealant manufacturer.
- K. Color: to be selected from manufacturer's standard colors.

Part 3 - Execution

- 3.01 Preparation:
 - A. Surface Cleaning of Joints: Clean out joints immediately before installing joint sealants to comply with joint-sealant manufacturer's written instructions.
 - 1. Remove laitance and form-release agents from concrete.
 - 2. Clean nonporous joint substrate surfaces with chemical cleaners or other means that do not stain, harm substrates, or leave residues capable of interfering with adhesion of joint sealants.
 - B. Joint Priming: Prime joint substrates where recommended by joint-sealant manufacturer or as indicated by preconstruction joint-sealant-substrate tests or prior experience. Apply primer to comply with joint-sealant

DIVISION 7 - THERMAL & MOISTURE PROTECTION

SECTION 07900 - SEALANTS

manufacturer's written instructions. Confine primers to areas of joint sealant bond; do not allow spillage or migration onto adjoining surfaces.

- C. Masking Tape: Use masking tape where required to prevent contact of sealant or primer with adjoining surfaces that otherwise would be permanently stained or damaged by such contact or by cleaning methods required to remove sealant smears. Remove tape immediately after tooling without disturbing joint seal.

3.02 Installation: Comply with recommendations in ASTM C 1193 for use of joint sealants as applicable to materials, applications, and conditions indicated. Install sealant backings of kind indicated to support sealants during application and at position required to produce cross-sectional shapes and depths of installed sealants relative to joint widths that allow optimum sealant movement capability.

- A. Do not leave gaps between ends of sealant backings.
- B. Do not stretch, twist, puncture, or tear sealant backings.
- C. Remove absorbent sealant backings that have become wet before sealant application and replace them with dry materials.
- D. Install bond-breaker tape behind sealants where sealant backings are not used between sealants and backs of joints.
- E. Install sealants using proven techniques that comply with the following and at the same time backings are installed:
 - 1. Place sealants so they directly contact and fully wet joint substrates.
 - 2. Completely fill recesses in each joint configuration.
 - 3. Produce uniform, cross-sectional shapes and depths relative to joint widths that allow optimum sealant movement capability.
- F. Tooling of Nonsag Sealants: Immediately after sealant application and before skinning or curing begins, tool sealants according to requirements specified in subparagraphs below to form smooth, uniform beads of configuration indicated; to eliminate air pockets; and to ensure contact and adhesion of sealant with sides of joint.
 - 1. Remove excess sealant from surfaces adjacent to joints.
 - 2. Use tooling agents that are approved in writing by sealant manufacturer and that do not discolor sealants or adjacent surfaces.
 - 3. Provide concave joint profile per Figure 8A in ASTM C 1193, unless otherwise indicated.
- G. Acoustical Sealant Installation: Comply with ASTM C 919 and with manufacturer's written recommendations.
- H. Clean off excess sealant or sealant smears adjacent to

DIVISION 7 - THERMAL & MOISTURE PROTECTION

SECTION 07900 - SEALANTS

joints as the Work progresses by methods and with cleaning materials approved in writing by manufacturers of joint sealants and of products in which joints occur.

3.03 Joint Sealant Schedule:

- A. Joint-Sealant Application: Exterior joints in horizontal traffic surfaces.
- B. Joint-Sealant Application: Exterior joints in vertical surfaces and horizontal nontraffic surfaces.
- C. Joint-Sealant Application: Interior joints in horizontal traffic surfaces.
- D. Joint-Sealant Application: Interior joints in vertical surfaces and horizontal non traffic surfaces.
- E. Joint-Sealant Application: Mildew-resistant interior joints in vertical surfaces and horizontal non-traffic surfaces.
- F. Joint-Sealant Application: Interior acoustical joints in vertical surfaces and horizontal non traffic surfaces.

3.04 Additional Information:

- A. Application: All sight exposed caulking, and all exterior applications.
- B. Comply with sealant manufacturer's printed instructions.
- C. Any surfaces requiring priming, shall be prepared according to manufacturer's recommendations.
- D. Install sealants to depths as shown or as recommended by sealant manufacturer. Smooth uneven surfaces.
- F. Do not disturb compound by touching, washing, or otherwise until it has cured tack free.
- G. Excess compound shall be removed from surfaces after curing.
- H. Follow manufacturer's recommendations for painting over sealant.

End of Section

DIVISION 8 - DOORS & WINDOWS

SECTION 08100 - METAL DOORS AND FRAMES

Part 1 - General

1.01 Work Included:

- A. All material labor, services and incidentals necessary for the completion of this section of the work.

1.02 Related Work Specified Elsewhere:

- A. Hardware and Specialties - Section 08700

1.03 Quality Assurance:

A. Standards:

1. American Society for Testing and Materials
 - a. ASTM A-366, Steel Sheets, Carbon, Cold-Rolled, Commercial Quality.
 - b. ASTM A-569, Steel, Carbon, Hot-rolled Sheet and strip, commercial quality.
2. Underwriters' Laboratories, Inc.
3. Steel Door Institute (SDI): Recommended specifications for Steel Doors and Frames.

- B. Installer Qualifications: An employer of workers trained and approved by manufacturer.

- C. Source Limitations: Obtain standard steel doors and frames through one source from a single manufacturer.

- D. Fire-Rated Door Frame Assemblies: Assemblies complying with IBC 2009 that are listed and labeled by a testing and inspecting agency acceptable to authorities having jurisdiction, for fire protection ratings indicated.

1. Test Pressure: Test according to NFPA 252. After 5 minutes into the test, the neutral pressure level in furnace shall be established at 40 inches (1000 mm) or less above the sill.
2. Temperature-Rise Rating: At exit enclosures, provide doors that have a temperature-rise rating of 450 deg F (250 deg C) maximum in 30 minutes of fire exposure.
3. Smoke-Control Door Assemblies: Comply with NFPA 105.

1.04 Submittals:

- A. Shop Drawings: Product Data: Include construction details, material descriptions, core descriptions, label compliance, and finishes for each type of steel door and frame specified.

1. Submit shop Drawings showing details for each frame and door type, elevations and details of construction. Provide a schedule of doors and frames referenced to detail and openings as shown on the Drawings.
 - a. Elevations of each door design.
 - b. Details of doors, including vertical and horizontal edge details.
 - c. Frame details for each frame type, including dimensioned profiles.
 - d. Details and locations of reinforcement and

DIVISION 8 - DOORS & WINDOWS

SECTION 08100 - METAL DOORS AND FRAMES

- preparations for hardware.
 - e. Details of each different wall opening condition.
 - f. Details of anchorages, accessories, joints, and connections.
 - g. Details of glazing frames and stops showing glazing.
 - h. Details of conduit and preparations for electrified door hardware and controls.
 - 2. It is the manufacturer's responsibility to obtain templates of finish hardware. The shop Drawings must indicate all hardware applications to the doors and frames.
 - 3. Begin fabrication only after receiving approved shop Drawings.
 - 4. Qualification Data: For Installer.
- 1.05 Product Delivery, Storage and Handling:
- A. All materials shall be protected for shipping so that they may arrive at the job site without undue damage or damage from storage at the job.
 - B. Deliver doors and frames palletized, wrapped, or crated to provide protection during transit and Project-site storage. Do not use nonvented plastic.
 - C. Deliver welded frames with two removable spreader bars across bottom of frames, tack welded to jambs and mullions.
 - D. Store doors and frames under cover at Project site. Place units in a vertical position with heads up, spaced by blocking, on minimum 4-inch- high wood blocking. Avoid using non-vented plastic or canvas shelters that could create a humidity chamber.
 - 1. If wrappers on doors become wet, remove cartons immediately. Provide minimum 114-inch space between each stacked door to permit air circulation.
- 1.06 Project Conditions:
- A. Field Measurements: Verify openings by field measurements before fabrication and indicate measurements on Shop Drawings.
 - 1. Established Dimensions: Where field measurements cannot be made without delaying the Work, establish opening dimensions and proceed with fabricating standard steel frames without field measurements. Coordinate wall construction to ensure that actual opening dimensions correspond to established dimensions.
- 1.07 Coordination:
- A. Coordinate installation of anchorages for standard steel frames. Furnish setting drawings, templates, and directions for installing anchorages, including sleeves,

DIVISION 8 - DOORS & WINDOWS

SECTION 08100 - METAL DOORS AND FRAMES

concrete inserts, anchor bolts, and items with integral anchors, that are to be embedded in masonry. Deliver such items to Project site in time for installation.

1.08 Warranty: Provide manufacturer's standard warranty.

Part 2 - Products

2.01 Acceptable Manufacturers:

A. Manufacturers: Subject to compliance with requirements, provide products by one of the following:

1. CURRIES Company; an ASSA ABLOY Group Company.
2. Steelkraft; and Ingersoll-Rand Company.
3. Or Approved Equal.

2.02 Materials:

- A. Cold-Rolled Steel Sheet: ASTM A 100S/A 100SM, Commercial Steel (CS), Type B; suitable for exposed applications.
- B. Hot-Rolled Steel Sheet: ASTM A 1011A 1011M, Commercial Steel (CS), Type B; free of scale, pitting, or surface defects; pickled and oiled.
- C. Metallic-Coated Steel Sheet: ASTM A 653/A 653M, Commercial Steel (CS), Type B; with minimum A40 zinc-iron-alloy (galvannealed) coating designation.
- D. Electrolytic Zinc-Coated Steel Sheet: ASTM A 591A 59 1M, Commercial Steel (CS), Class B coating; mill phosphatized.
- E. Supports and Anchors: After fabricating, galvanize units to be built into exterior walls according to ASTM A 153/A 153M, Class B.
- F. Inserts, Bolts, and Fasteners: Provide items to be built into exterior walls, hot-dip galvanized according to ASTM A 153/A 153M.
- G. Mineral-Fiber Insulation: ASTM C 665, Type I (blankets without membrane facing); consisting of fibers manufactured from slag or rock wool with 6- to 12-lb/cu. ft. density; with maximum flame-spread and smoke-developed indexes of 25 and 50 respectively; passing ASTM E 136 for combustion characteristics.
- H. Glazing: Comply with requirements in Division 5 Section "Glazing."
- I. Bituminous Coating: Cold-applied asphalt mastic, SSPC-Paint 12, compounded for 15-mil dry film thickness per coat. Provide inert-type noncorrosive compound free of asbestos fibers, sulfur components, and other deleterious impurities.
- J. Grout: In masonry construction use grout for masonry as specified in Division 4. In stud walls use cementitious sprayed fire-resistive material manufactured by the

DIVISION 8 - DOORS & WINDOWS

SECTION 08100 - METAL DOORS AND FRAMES

following:

1. Monokote Type MK-6; W.R. Grace Construction Products.
 2. Cafco 300; Isolatek International Corp.
- 2.03 Requirements: Provide doors of design indicated, not less than thickness indicated; fabricated with smooth surfaces, without visible joints or seams on exposed faces, unless otherwise indicated. Comply with ANSI A250.8.
- A. Doors - Flush Panel: (SDI Door Type III, Style 2, Seamless):
1. Door, as indicated on the Drawings shall be constructed of 16 gauge cold-rolled, stretcher leveled sheet steel. Doors shall be insulated with foamed urethane, full length and width of doors. Construct doors with smooth, flush surfaces without visible joints or seams on exposed face or vertical edges. Doors shall be 1-3/4" thick unless noted otherwise.
 2. Close top and bottom edges with a recessed channel end closure or a flush end closure treatment.
 3. Vertical Edges for Single-Acting Doors: Square edge unless beveled edge is indicated.
 - a. Beveled Edge: 1/8 inch in 2 inches.
 4. Vertical Edges for Double-Acting Doors: Round vertical edges with 2-1/8-inch radius.
 5. Tolerances: Comply with SDI 117, "Manufacturing Tolerances for Standard Steel Doors and Frames."
 6. Provide weep-hole openings in bottom of exterior doors to permit moisture to escape. Seal joints in top edges of doors against water penetration.
- B. Frames:
1. Hollow metal frames shall be of 16 gauge cold-rolled, pickled steel, except that all frames for single doors over 3'-0" wide, frames for pairs of doors over 4'-0" wide and frames for doors over 9'-0" high shall be of 14 gauge steel. Frames shall be neatly mitered and continuously welded and ground smooth for invisible joints.
 2. Furnish anchors as shown on Drawings or as recommended by manufacturer, to secure frames to adjacent construction, formed of not less than 18 gauge galvanized steel. Install anchors at a maximum of 24' centers of jamb height.
 3. Frames against masonry or concrete are to be slush filled.
 4. Knock-down frames are not permitted.
 5. Frames against masonry or concrete are to be slush filled.
 6. Jamb Anchors:
 - a. Masonry Type: Adjustable strap-and-stirrup or T - shaped anchors to suit frame size, not less than

DIVISION 8 - DOORS & WINDOWS

SECTION 08100 - METAL DOORS AND FRAMES

- 0.042 inch thick, with corrugated or perforated straps not less than 2 inches wide by 10 inches long; or wire anchors not less than 0.177 inch thick.
- b. Stud-Wall Type: Designed to engage stud, welded to back of frames; not less than 0.042 inch thick.
 - c. Floor Anchors: Formed from same material as frames, not less than 0.042 inch thick, and as follows:
 - 1. Monolithic Concrete Slabs: Clip-type anchors, with two holes to receive fasteners.
 - 2. Separate Topping Concrete Slabs: Adjustable-type anchors with extension clips, allowing not less than 2-inch height adjustment. Terminate bottom of frames at finish floor surface. Fabricate concealed stiffeners and hardware reinforcement from either cold- or hot-rolled steel sheet.
 - d. Ceiling Struts: Minimum 3/8-inch-thick by 2-inch-wide steel.
 - e. Plaster Guards: Formed from same material as frames, not less than 0.016-inch thick.
7. Sidelight Frames: Provide closed tubular members with no visible face seams or joints; fabricated from same material as door frame. Fasten members at crossings and to jambs by butt welding.
- C. Hardware Reinforcement:
- 1. Reinforcements for locks shall be 3/16" for fronts, with 14 gauge for roses and escutcheons. Hinge reinforcements shall be at least 10 gauge x 1 2" x 9". Provide steel strike and hinge reinforcement cover for frames.
- D. Jamb Anchors: Provide number and spacing of anchors as follows:
- 1. Masonry Type: Locate anchors not more than 18 inches from top and bottom of frame. Space anchors not more than 32 inches o.c. and as follows:
 - a. Two anchors per jamb up to 60 inches in height.
 - b. Three anchors per jamb from 60 to 90 inches in height.
 - c. Four anchors per jamb from 90 to 120 inches in height.
 - d. Four anchors per jamb plus 1 additional anchor per jamb for each 24 inches or fraction thereof more than 120 inches in height.

DIVISION 8 - DOORS & WINDOWS

SECTION 08100 - METAL DOORS AND FRAMES

2. Stud-Wall Type: Locate anchors not more than 18 inches from top and bottom of frame. Space anchors not more than 32 inches o.c. and as follows:
 - a. Three anchors per jamb up to 60 inches in height.
 - b. Four anchors per jamb from 60 to 90 inches in height.
 - c. Five anchors per jamb from 90 to 96 inches in height.
 - d. Five anchors per jamb plus 1 additional anchor per jamb for each 24 inches or fraction thereof more than 96 inches in height.
 - e. Two anchors per head for frames more than 42 inches wide and mounted in metal-stud partitions.
- E. Door Silencers: Except on weather-stripped doors, drill stops to receive door silencers as follows. Provide plastic plugs to keep holes clear during construction.
 1. Single-Door Frames: Drill stop in strike jamb to receive three door silencers.
 2. Double-Door Frames: Drill stop in head jamb to receive two door silencers.
- F. Stops and Moldings:
 1. Moldings for Glazed Lites in Doors: Minimum 0.032 inch thick, fabricated from same material as door face sheet in which they are installed.
 2. Fixed Frame Moldings: Formed integral with standard steel frames, minimum 5/8 inch high, unless otherwise indicated.
 3. Loose Stops for Glazed Lites in Frames: Minimum 0.032 inch thick, fabricated from same material as frames in which they are installed.
- G. Labeled Doors and Frames:
 1. Where doors and frames are called for on Drawings as labeled, their construction shall conform to all requirements and bear the appropriate U.L. label.
- H. Steel Finishes
 1. General: Comply with NAAMM's "Metal Finishes Manual for Architectural and Metal Products" for recommendations for applying and designating finishes.
 - a. Finish standard steel door and frames after assembly.
 2. Metallic-Coated Steel Surface Preparation: Clean surfaces with nonpetroleum solvent so surfaces are free of oil and other contaminants. After cleaning, apply a conversion coating suited to the organic coating to be applied over it. Clean welds, mechanical connections, and abraded areas, and apply galvanizing repair paint specified below to comply with ASTM A

DIVISION 8 - DOORS & WINDOWS

SECTION 08100 - METAL DOORS AND FRAMES

780.

- a. Galvanizing Repair Paint: High-zinc-dust-content paint for regalvanizing welds in steel, complying with SSPC-Paint 20.
3. Steel Surface Preparation: Clean surfaces to comply with SSPC-SP 1, "Solvent Cleaning"; remove dirt, oil, grease, or other contaminants that could impair paint bond. Remove mill scale and rust, if present, from uncoated steel; comply with SSPC-SP 3, "Power Tool Cleaning," or SSPC-SP 6/NACE No.3, "Commercial Blast Cleaning."
4. Factory Priming for Field-Painted Finish: Apply shop primer specified below immediately after surface preparation and pretreatment. Apply a smooth coat of even consistency to provide a uniform dry film thickness of not less than 0.7 mils.
 - a. Shop Primer: Manufacturer's standard, fast-curing, lead- and chromate-free primer complying with ANSI A250.10 acceptance criteria; recommended by primer manufacturer for substrate; compatible with substrate and field-applied finish paint system indicated; and providing a sound foundation for field-applied topcoats despite prolonged exposure.

Part 3 - Execution

3.01 Fabrication:

- A. All doors, and frames shall be cleaned of rust, grease and other impurities, and all welds ground and filled smooth, Metallic filler to conceal defects is not acceptable.
- B. Doors and frames shall be mortised, reinforced, drilled, and tapped for all mortise hardware in accordance with Hardware schedule and templates furnished by the hardware supplier, except that drilling and tapping for surface door closers, door closer brackets, surface panic devices and/or other surface applied hardware shall be done in the field. Frames shall be accurate and done in a neat, workmanlike manner.

3.02 Installation:

- A. Standard Steel Frames: Install standard steel frames for doors sidelights borrowed lights and other openings, of size and profile indicated. Comply with SDI 105.
 1. Bituminous coating and grout: Any material lost, removed or damaged during transportation or installation shall be replaced.
 2. Set frames accurately in position; plumbed, aligned, and braced securely until permanent anchors are set.

DIVISION 8 - DOORS & WINDOWS

SECTION 08100 - METAL DOORS AND FRAMES

After wall construction is complete, remove temporary braces, leaving surfaces smooth and undamaged.

- a. At fire-protection-rated openings, install frames according to NFP A 80.
 - b. Install frames with removable glazing stops located on secure side of opening.
 - c. Install door silencers in frames before grouting.
 - d. Remove temporary braces necessary for installation only after frames have been properly set and secured.
 - e. Check plumb, squareness, and twist of frames as walls are constructed. Shim as necessary to comply with installation tolerances.
3. Floor Anchors: Provide floor anchors for each jamb and mullion that extends to floor and secure with post-installed expansion anchors.
 - a. Floor anchors may be set with powder-actuated fasteners instead of post installed expansion anchors if so indicated and approved on Shop Drawings.
 4. Metal-Stud Partitions: Solidly pack mineral-fiber insulation behind frames.
 5. Masonry Walls: Coordinate installation of frames to allow for solidly filling space between frames and masonry with mortar as specified in Division 4 Section "Unit Masonry Assemblies."
 6. Ceiling Struts: Extend struts vertically from top of frame at each jamb to supporting construction above, unless frame is anchored to masonry or to other structural support at each jamb. Bend top of struts to provide flush contact for securing to supporting construction above. Provide adjustable wedged or bolted anchorage to frame jamb members.
 7. Installation Tolerances: Adjust standard steel door frames for squareness, alignment, twist, and plumb to the following tolerances:
 - a. Squareness: Plus or minus 1/16 inch, measured at door rabbet on a line 90 degrees from jamb perpendicular to frame head.
 - b. Alignment: Plus or minus 1/16 inch, measured at jambs on a horizontal line parallel to plane of wall.
 - c. Twist: Plus or minus 1/16 inch, measured at opposite face corners of jambs on parallel lines, and perpendicular to plane of wall.
 - d. Plumbness: Plus or minus 1/16 inch, measured at

DIVISION 8 - DOORS & WINDOWS

SECTION 08100 - METAL DOORS AND FRAMES

jamb at floor.

- B. Standard Steel Doors: Fit hollow-metal doors accurately in frames, within clearances specified below. Shim as necessary.
 - 1. Non-Fire-Rated Standard Steel Doors:
 - a. Jamb and Head: 1/8 inch plus or minus 1/16 inch.
 - b. Between Edges of Pairs of Doors: 1/8 inch plus or minus 1/16 inch.
 - c. Between Bottom of Door and Top of Threshold: Maximum 3/8 inch.
 - d. Between Bottom of Door and Top of Finish Floor (No Threshold): Maximum 3/4 inch.
 - 2. Fire-Rated Doors: Install doors with clearances according to NFP A 80.
 - 3. Smoke-Control Doors: Install doors according to NFPA 105.
 - C. Glazing: Comply with installation requirements in Division 8 Section "Glazing" and with standard steel door and frame manufacturer's written instructions.
- 3.03 Adjusting and Cleaning:
- A. Final Adjustments: Check and readjust operating hardware items immediately before final inspection. Leave work in complete and proper operating condition. Remove and replace defective work, including standard steel doors or frames that are warped, bowed, or otherwise unacceptable.
 - B. Clean grout and other bonding material off standard steel doors and frames immediately after installation.
 - C. Prime-Coat Touchup: Immediately after erection, sand smooth rusted or damaged areas of prime coat and apply touchup of compatible air-drying primer.
 - D. Galvannealed Surfaces: Clean abraded areas and repair with galvanizing repair paint according to manufacturer's written instructions. Do not use abrasive, caustic or acid cleaning agents.
 - E. Protect doors and frames from damage until final acceptance by Architect. Replace/repair any damaged items as directed above.

End of Section

DIVISION 8 - DOORS & WINDOWS

SECTION 08200 - WOOD DOORS

Part 1 - General

1.01 Work Included:

- A. All materials, labor, services and incidentals necessary for the completion of this section of the work.

1.02 Related Work Specified Elsewhere:

- A. Finish Hardware - Section 08700

1.03 Quality Assurance:

A. Standards:

- 1. Architectural Woodwork Institute:
 - a. Architectural Woodwork Quality Standards
- 2. Underwriter's Laboratories, Inc.

- B. Manufacturer Qualifications: A qualified manufacturer that is certified for chain of custody by an FSC-Accredited certification body.

- C. Source Limitations: Obtain flush wood doors from single manufacturer.

- D. Quality Standard: In addition to requirements specified, comply with AWI's "Architectural Woodwork Quality Standards Illustrated."

- E. Fire-Rated Wood Doors: Doors complying with NFPA 80 that are listed and labeled by a qualified testing agency, for fire-protection ratings indicated, based on testing at according to NFPA 252 and UL 10B.

- 1. Oversize Fire-Rated Door Assemblies: For units exceeding sizes of tested assemblies, provide certification by a qualified testing agency that doors comply with standard construction requirements for tested and labeled fire-rated door assemblies except for size.
- 2. Temperature-Rise Limit: At vertical exit enclosures and exit passageways, provide doors that have a maximum transmitted temperature end point of not more than 450 deg F above ambient after 30 minutes of standard fire-test exposure.
- 3. Fire-Rated Doors must be provided with fire labels.

1.04 Submittals:

A. Shop Drawings:

- 1. It is the manufacturer's responsibility to obtain templates of finish hardware. The shop Drawings must indicate all hardware applications to the doors.
- 2. Begin fabrication only after receiving approved shop Drawings.
- 3. Indicate location, size, and hand of each door; elevation of each kind of door; construction details not covered in Product Data; location and extent of hardware blocking; and other pertinent data.
- 4. Samples for Initial Selection: Color charts consisting

DIVISION 8 - DOORS & WINDOWS

SECTION 08200 - WOOD DOORS

of actual materials in small sections.

5. Samples for Verification:
 - a. Factory finishes applied to actual door face materials, approximately 8 by 10 inches, for each material and finish. For each wood species and transparent finish, provide set of three samples showing typical range of color and grain to be expected in the finished work.
6. Frames for light openings, 6 inches long, for each material, type, and finish required.

1.05 Products Delivery, Storage and Handling:

- A. When doors are delivered to job site, doors shall receive first coat of finish. Store in a protected area.
- B. Comply with requirements of referenced standard and manufacturer's written instructions.
- C. Package doors individually in cardboard cartons and wrap bundles of doors in plastic sheeting.
- D. Mark each door on bottom rail with opening number used on Shop Drawings.

1.06 Warranty:

- A. General Warranty: Door manufacturer's warranty specified in this Article shall not deprive the Owner of other rights the Owner may have under other provisions of the Contract Documents and shall be in addition to, and run concurrent with, other warranties made by the Contractor under requirements of the Contract Documents.
- B. Door Manufacturer's Warranty: Submit written agreement on door manufacturer's standard form signed by manufacturer, Installer, and Contractor, agreeing to repair or replace defective doors that have warped (bow, cup, or twist) more than 1/4 inch in a 42-by-84-inch section or that show telegraphing of core construction in face veneers exceeding 0.01 inch in a 3-inch span, or do not comply with tolerance limitations in referenced quality standard.
 1. Warranty shall also include installation and finishing that may be required due to repair or replacement of defective doors.
 2. Warranty shall be in effect during the following period of time after date of Final Completion.
 - a. Solid Core Interior Doors: Life of installation.

Part 2 - Products

2.01 Doors (non-labeled):

- A. Doors shall be 1 3/4" thick interior grade, veneered, with a particleboard core. Construction shall meet AWI 1300 PC, "Custom" standard. Doors shall have I.S. "Premium" grade

DIVISION 8 - DOORS & WINDOWS

SECTION 08200 - WOOD DOORS

faces - Plain Sliced Red Oak. Provide hardwood top, bottom, and side edges.

2.02 Doors (labeled):

- A. Doors shall be 1 3/4" thick interior grade, veneered, with a mineral core (refer to Drawings for ratings). Construction shall meet AWI 1300 FD, "Custom" standard. Doors shall have I.S. "Premium grade faces - Plain Sliced Red Oak. Provide hardwood top, bottom, and side edges.
- B. Where doors are called for on drawings as labeled their construction shall conform to all U.L. requirements and bear the appropriate U.L. label.

2.03 Acceptable Manufacturers: Subject to compliance with requirements, available manufacturers offering products that may be incorporated into the Work include, but are not limited to, the following:

- 1. Algoma Hardwoods, Inc.
- 2. Ampco, Inc.
- 3. Buell Door Company Inc.
- 4. Chappell Door Co.
- 5. Eagle Plywood & Door Manufacturing, Inc.
- 6. Eggers Industries.
- 7. Graham; an Assa Abloy Group company.
- 8. Haley Brothers, Inc.
- 9. Ideal Architectural Doors & Plywood.
- 10. Ipik Door Company.
- 11. Lambton Doors.
- 12. Marlite.
- 13. Marshfield Door Systems, Inc.
- 14. Mohawk Flush Doors, Inc.; a Masonite company.
- 15. Oshkosh Architectural Door Company.
- 16. Poncraft Door Company.
- 17. Vancouver Door Company.
- 18. VT Industries Inc.

2.04 Door Construction - General:

- A. Particleboard-Core Doors:
 - 1. Particleboard: ANSI A208.1, Grade 1L-1, made with binder containing no ureaformaldehyde resin.
 - 2. Blocking - Provide wood blocking in particleboard-core doors as follows:
 - a. 5-inch top-rail blocking, in doors indicated to have closers.
 - b. 5-inch bottom-rail blocking, in exterior doors and doors indicated to have kick, mop, or armor plates.
 - 3. Provide doors with structural-composite-lumber cores instead of particleboard cores for doors indicated to receive exit devices.
- B. Fire-Protection-Rated Doors: Provide core specified or

DIVISION 8 - DOORS & WINDOWS

SECTION 08200 - WOOD DOORS

mineral core as needed to provide fire protection rating indicated.

1. Edge Construction: Provide edge construction with intumescent seals concealed by outer stile. Comply with specified requirements for exposed edges.
 2. Pairs: Provide fire-retardant stiles that are listed and labeled for applications indicated without formed-steel edges and astragals. Provide stiles with concealed intumescent seals. Comply with specified requirements for exposed edges.
 3. Pairs: Provide formed-steel edges and astragals with intumescent seals.
- C. Factory Finishing: Comply with referenced quality standard for factory finishing. Complete fabrication, including fitting doors for openings and machining for hardware that is not surface applied, before finishing.
1. Finish faces, all four edges, edges of cutouts, and mortises. Stains and fillers may be omitted on bottom edges, edges of cutouts, and mortises.
 2. Finish doors at factory.
 3. Finish doors at factory that are indicated to receive transparent finish. Field finish doors indicated to receive opaque finish.
4. Transparent Finish:
1. Grade: Premium.
 2. Finish: WDMA TR-6 catalyzed polyurethane.
 3. Staining: Water-based stain with transparent ultraviolet cured catalyzed polyurethane. Color as selected by Architect from manufacturer's full range.
 4. Effect: Open-grain finish.
 5. Sheen: Semigloss.

Part 3 - Execution

3.01 Examination:

- A. Examine doors and installed door frames before hanging doors.
 1. Verify that frames comply with indicated requirements for type, size, location, and swing characteristics and have been installed with level heads and plumb jambs.
 2. Reject doors with defects.
- B. Proceed with installation only after unsatisfactory conditions have been corrected.

3.02 Installation:

- A. Provide clean properly sized and accurately placed mortises

DIVISION 8 - DOORS & WINDOWS

SECTION 08200 - WOOD DOORS

and drilled holes for all mortise and surface mounted finish hardware, in accordance with Hardware Schedule and templates furnished by the hardware supplier.

- B. Comply with the tolerance requirements of AWI for prefitting. Install in accordance with the requirements of the NWMA Door Guarantee.
 - C. Repair or replace doors damaged during installation. Repair doors which do not swing or operate properly.
 - D. Hardware: For installation, see Division 08 Section "Door Hardware."
 - E. Installation Instructions: Install doors to comply with manufacturer's written instructions and the referenced quality standard, and as indicated.
 - 1. Install fire-rated doors in corresponding fire-rated frames according to NFPA 80.
 - F. Job-Fitted Doors: Align and fit doors in frames with uniform clearances and bevels as indicated below; do not trim stiles and rails in excess of limits set by manufacturer or permitted for fire-rated doors. Machine doors for hardware. Seal edges of doors, edges of cutouts, and mortises after fitting and machining.
 - 1. Clearances: Provide 1/8 inch at heads, jambs, and between pairs of doors. Provide 1 inch from bottom of door to top of decorative floor finish or covering unless otherwise indicated. Where threshold is shown or scheduled, provide 1/4 inch from bottom of door to top of threshold unless otherwise indicated.
 - a. Comply with NFP A 80 for fire-rated doors.
 - 2. Bevel non-fire-rated doors 1/8 inch in 2 inches at lock and hinge edges.
 - 3. Bevel fire-rated doors 1/8 inch in 2 inches at lock edge; trim stiles and rails only to extent permitted by labeling agency.
 - G. Factory-Fitted Doors: Align in frames for uniform clearance at each edge.
 - H. Factory-Finished Doors: Restore finish before installation if fitting or machining is required at Project site.
- 3.03 Adjusting:
- A. Operation: Rehang or replace doors that do not swing or operate freely.
 - B. Finished Doors: Replace doors that are damaged or that do not comply with requirements. Doors may be repaired or refinished if work complies with requirements and shows no evidence of repair or refinishing.

End of Section

DIVISION 8 - DOORS AND WINDOWS

SECTION 08400 - ENTRANCES AND STOREFRONTS

PART 1 - General

1.01 Work Included:

- A. All materials, labor, services, and incidentals necessary for the completion of all work as shown on the Drawings and specified herein.
- B. All necessary anchors and accessories required for the complete installation of the Storefront units.
- C. Perimeter Sealant.

1.02 Related Work Specified Elsewhere:

- A. Sealants - Section 07900.
- B. Hardware and Specialties - Section 08700.
- C. Glazing - Section 08800.

1.03 Performance And Testing Requirements:

- A. Provision for Thermal Movements:
 1. Storefront framing systems shall be designed to provide for thermal movement of all component materials resulting from a cycling temperature range of 180E F. without causing buckling, stresses on glass, failure of joint seals, undue stress on structural elements, damaging loads on fasteners, reduction of performance, or other detrimental effects. Operating windows and doors shall function normally over this temperature range.
- B. Test Procedures and Performance:
 1. Air Infiltration Test, Fixed Unit:
 - a. Test Fixed Unit in accordance with ASTM E 283 at static air pressure difference of 6.24 psf.
 - b. Air infiltration shall not exceed .06 cfm per square foot of fixed wall area.
 2. Air Infiltration Test, Doors:
 - a. Test Doors in accordance with ASTM E 283 at static air pressure difference of 1.57 psf.
 - b. Air infiltration shall not exceed .10 cfm per foot of perimeter crack length for pair of doors.
 3. Water Resistance Test:
 - a. Test unit in accordance with ASTM E 331.
 - b. There shall be no uncontrollable water leakage at a static test pressure of 6.24 psf. (12.00 psf at doors)
 4. Uniform Load Deflection Test:
 - a. Test in accordance with ASTM E 330.
 - b. Design and size members to withstand dead loads and live loads caused by pressure and suction of wind as calculated in accordance with 2009 International Building Code.

DIVISION 8 - DOORS AND WINDOWS

SECTION 08400 - ENTRANCES AND STOREFRONTS

- c. Deflection under design load shall not exceed $L/175$ of the clear span.
 - 5. Uniform Load Structural Test:
 - a. Test in accordance with ASTM 330 at a pressure 1.5 times the design wind pressure in 1.03.3.b.
 - b. At conclusion of the test, there shall be no glass breakage, permanent damage to fasteners, storefront parts, or any other damage which would cause the storefront to be defective.
 - 6. Condensation Resistance Test (CRF):
 - a. Test unit in accordance with ASTM 1502.7.
 - b. Condensation Resistance Factor (CRF) shall be not less than 70.
 - 7. Thermal Transmittance Test (Conductive U Value):
 - a. Test in accordance with ASTM 1503.1.
 - b. Conductive thermal transmittance (U Value) shall be not more than .44 BTU/HR/degree F/sf. Unless otherwise specified, units tested for condensation resistance and thermal transmittance shall be glazed with no more than two lites of clear, uncoated, annealed glass. Sealed insulating glass shall be of standard construction.
- 1.04 Quality Assurance:
 - A. Provide test reports from AAMA accredited laboratories certifying the performance as specified in 1.05.
 - B. Test reports shall be accompanied by the storefront manufacturer=s letter of certification stating that the tested storefront meets or exceeds the referenced criteria for the appropriate storefront type.
- 1.05 Submittals:
 - A. Contractor shall submit shop drawings to the Architect for his approval. Drawings shall show scale elevations and sections. Full size sections shall be shown only when needed for clarity. Drawings shall show construction of all parts of the work, including metal and glass thickness, methods of joining, details of all field connections and anchorage, fastening and sealing methods, metal finishes and all pertinent information. Relationship to other work should be clearly indicated. No work shall be fabricated until shop drawings for that work have been finally approved for fabrication.
- 1.06 Delivery, Storage And Handling:
 - A. Deliver, handle, store and protect system components in accordance with manufacturer's instructions.
 - B. After erection, the Contractor shall adequately protect all

DIVISION 8 - DOORS AND WINDOWS

SECTION 08400 - ENTRANCES AND STOREFRONTS

exposed portions of the grid framing metal work from damage by grinding and polishing machines, plaster, lime, acid, cement, or other harmful compounds.

- C. Immediately prior to final acceptance of building, inspect all aluminum framing for weather tightness and make all necessary repairs and adjustment.

1.07 Warranties:

A. Total Storefront System

- 1. The responsible contractor shall assume full responsibility and warrant for one year the satisfactory performance of the total storefront installation. This includes the framing, glass (including insulated units), glazing, anchorage and setting system, sealing, flashing, etc. as it relates to air, water and structural adequacy as called for in the specifications and approved shop drawings. A manufacturer's material warranty shall be provided for a minimum of 5 years from substantial completion.
- 2. Any deficiencies due to such elements not meeting the specifications shall be corrected by the responsible contractor during the warranty period.

- 1.08 **Products of certain manufacturers are specified herein to simplify descriptions of design, construction, and/or materials only. Proprietary names are not intended to imply that products of named manufacturer are required to the exclusion of equivalent products of other manufacturers.**

PART 2 - PRODUCTS

2.01 Entrance and Storefront System:

- A. EFCO Corporation S-403 Wall Thermal Storefront System, with Series D318 DuraStyle Medium Style aluminum entrance doors.
- B. Finish - clear anodized aluminum. Coordinate with Architect.

2.02 Material:

A. Aluminum:

- 1. Extruded aluminum shall be 6063-T5 or T6 alloy and temper.

B. Glass:

- 1. Glass for Fixed Units shall be according to Glazing Schedule.
Glass for Entrance Doors shall be 1 inch insulated tempered glass units factory glazed.

C. Thermal Barrier:

- 1. The thermal barrier shall be internally connected and locked celcon insulator clips.

DIVISION 8 - DOORS AND WINDOWS

SECTION 08400 - ENTRANCES AND STOREFRONTS

- D. Dissimilar Metals:
 - 1. All dissimilar metals must be properly insulated to prevent galvanic action.
 - E. Fasteners:
 - 1. All exposed fasteners shall be aluminum or stainless steel.
- 2.03 Fabrication - Fixed Units:
- A. General:
 - 1. All aluminum frame extrusions shall have a minimum wall thickness of .180 inches.
 - 2. All exposed work shall be carefully matched to produce continuity of line and design with all joints. System design shall be such that raw edges will not be visible at joints.
 - B. Frames - for 1" glazing:
 - 1. Depth of frame shall not be less than 4 inches.
 - 2. Face dimension shall not be less than 2 inches
 - 3. Covers shall connect to frame back members with internally connected and locked celcon insulator clips.
 - 4. Frame components shall be screw spline construction.
 - C. Glazing
 - 1. All units shall be "dry" glazed with E. P. D. M. gasket on both exterior and interior.
- 2.04 Fabrication - Entrance Doors:
- A. General:
 - 1. Major portions of the door sections shall have .188" wall thickness.
 - 2. Glazing stop sections shall have .050" wall thickness.
 - B. Entrance Doors:
 - 1. Door stiles shall be no less than 3- $\frac{1}{2}$ " wide (not including glass stops).
 - 2. Door stiles and rails shall have hairline joints at corners. Heavy concealed reinforcement brackets shall be secured with screws and shall be deep penetration and fillet welded.
 - 3. All doors shall have an adjusting mechanism in the top rail to provide for minor clearance adjustments.
 - 4. Weather-stripping shall be wool pile and shall be installed and shall be installed in one stile of pairs of doors and in jamb stiles of center pivoted doors.
 - 5. Door stops shall include wool pile weather-stripping.
 - C. Glazing:
 - 1. All units shall be dry glazed with extruded pressure fitting aluminum glazing stops, and E.P.D.M. gasket.

DIVISION 8 - DOORS AND WINDOWS

SECTION 08400 - ENTRANCES AND STOREFRONTS

D. Door Frame:

1. Depth of frame shall not be less than 6".
2. Face dimension shall not be less than 2".
3. Shear block construction shall be utilized throughout. System design shall be such that raw edges will not be visible at joints.

2.05 Finish:

- A. Finish - clear anodized aluminum. Coordinate with Architect.

PART 3 EXECUTION

3.01 Inspection:

A. Job Conditions:

1. All openings shall be prepared to the proper size and shall be plumb, level and in the proper location and alignment as shown on the Drawings.

3.02 Installation:

- A. Use only skilled tradesmen with work done in accordance with approved shop drawings and specifications.
- B. Storefront system shall be erected plumb and true, in proper alignment and relation to established lines and grades.
- C. Entrance doors shall be securely anchored in place to a straight, plumb and level condition, without distortion. Weather-stripping contact and hardware movement shall be checked and final adjustment made for proper operation and performance of units.
- D. Furnish and apply sealing materials to provide a weather tight installation at all joints and intersections and at opening perimeters.
- E. Sealing materials specified shall be used in strict accordance with the manufacturer's printed instructions and shall be applied only by mechanics specially trained and experienced in their use. All surfaces must be clean and free of foreign matter before applying sealing materials. Sealing compounds shall be tooled to fill the joint and provide a smooth finished surface.

3.03 Anchorage:

- A. Adequately anchor to maintain positions permanently when subjected to normal thermal movement, specified building movement, and specified wind loads.

DIVISION 8 - DOORS AND WINDOWS

SECTION 08400 - ENTRANCES AND STOREFRONTS

3.04 Protection and Cleaning:

- A. The general contractor shall protect the aluminum materials and finish against damage from construction activities and harmful substances. The contractor shall remove any protective coatings as directed by the Architect and shall clean the aluminum surfaces as recommended for the type of finish applied.

End of Section

DIVISION 8 - DOORS & WINDOWS

SECTION 08700 - FINISH HARDWARE

Part 1 - General

1.01 Work Included:

- A. All materials, labor services and incidentals necessary for the completion of this section of the work.

1.02 Related Work Specified Elsewhere:

- A. Finish Carpentry - Section 06200
- B. Custom Casework - Section 06410
- C. Metal Doors and Frames - Section 08100
- D. Wood Doors - Section 08200
- E. Entrances and Storefronts - Section 08400

1.03 Quality Assurance:

- A. This material shall be procured from a source of supply approved by the Architect as having a member of their firm registered by the American Society of Contracting Architectural Hardware Consultants, and with a proven record of several years of satisfactory experience in contract builder's hardware, both in furnishing material and properly servicing jobs. The supplier also must be an established contract builder's hardware firm who meets all the above requirements, and who maintains and operates an office, display room and stock.

1.04 Submittals:

- A. Prepare a complete schedule including all items processed for each opening and other miscellaneous items and submit four copies to the Architect for approval within 30 days submitted within that time, the supplier shall furnish the hardware specified by catalog number.
- B. Indicate on schedule name of manufacturer after each item.
- C. Upon receiving the approved schedule, the hardware supplier shall immediately forward a copy to the metal frame suppliers, when applicable; and as soon as they receive approved shop drawings, they will immediately forward a complete set to the hardware supplier who can then check the applications and make any necessary minor revisions. If revisions are necessary, notify Architect immediately.
- D. Mark each item of hardware for opening on which it is to be used and deliver a complete schedule to the contractor when hardware is delivered.

1.05 Schedule:

- A. This specification describes the quality, character and function that is required of items of hardware; however, it is not intended to mention each particular item.
- B. It is the responsibility of the supplier to thoroughly detail the entire project to assure that the items specified will properly function in the indicated locations.
- C. Quantities shall be determined by the bidder. Part 2, following, indicates the type and function of material applicable to the typical opening. Should an unlisted opening require different type of function of hardware than that specified, for similar opening, notify the Architect, and provide hardware for unlisted openings within the bid.

DIVISION 8 - DOORS & WINDOWS

SECTION 08700 - FINISH HARDWARE

Part 2 - Products

2.01 Finish Hardware:

A. Standards of Quality:

1. Codes, specifications and published recommendations, latest editions of the following are hereby made part of this section of the specifications in so far as they apply to the material or work called for.
 - a. National Builders Hardware Association (NBHA)
 - b. American Society for Testing Materials (ASTM)
 - c. Underwriters Laboratories (UL)
 - d. National Fire Protection Association (NFPA)
 - e. Code of Ethics of ASAH & NBHA
 - f. Federal Emergency Management Agency (FEMA)
2. Federal Specification, (ANSI Specifications):
 - a. Hinges: FF-H-116C (ANSI A156.1)
 - b. Locks and Door Trim: FF-H-106A (ANSI A 156.2)
 - c. Auxiliary Locks: FF-H-106A (ANSI A 156.5)
 - d. Exit Devices: FF-H-106A, FF-H-111B, FF-L486 (ANSI A156.3).
 - e. Door Closers: FF-H-121C (ANSI A 156.4)
 - f. Shelf and Miscellaneous Hardware: FF-H-00116 (ANSI A156.6).
 - g. All Door hardware: Comply with ADAAG where applicable.

B. General:

1. All hardware relating to doors and frames shall be to standard templates of each respective hardware manufacturer for items furnished.
 - a. The related suppliers such as hollow metal doors and frames and such others as may be required will furnish the hardware supplier one copy of each of their approved shop drawings for proper coordination of their work and the finish hardware.

C. Manufacturers and Requirements:

1. Hardware manufacturers and brand names are for a guide as to type and standard required and all such hardware furnished must meet these standards as far as quality, weight, finish and design.

D. Keying:

1. All locks and cylinders to be masterkeyed as directed by the Architect/Owner.
2. Keys: Furnish the following keys:
 - a. 2 change keys each lock or cylinder
 - b. 6 masterkeys
 - c. **all EXTERIOR locks and cylinders shall be Primus Schlage Key System and keyed to Owner's Primus Master Key system. All remaining interior locks and cylinders shall be Classic Schlage and keyed to the Owner's Primus Master Key System.**

DIVISION 8 - DOORS & WINDOWS

SECTION 08700 - FINISH HARDWARE

2.02 Hardware Sets:

Hardware Group No. 001: Provide each PR door(s) with the following:

| Quantity | Description | Model Number | Finish | Mfr |
|-----------------|--------------------|--|---------------|------------|
| 2 | EA | CONTINUOUS HINGE 224HD HEIGHT AS REQ | 628 | IVE |
| 1 | EA | MULLION KR4954 HEIGHT AS REQ | 689 | VON |
| 1 | EA | PANIC HARDWARE CD99EO LENGTH AS REQUIRED | 626 | VON |
| 1 | EA | PANIC HARDWARE CD99NL-OP LENGTH AS REQUIRED | 626 | VON |
| 1 | EA | RIM CYLINDER 20-057 ICX | 626 | SCH |
| 3 | EA | MORTISE CYLINDER 20-061 ICX | 626 | SCH |
| 4 | EA | PRIMUS CORE ONLY 20-740 | 626 | SCH |
| 2 | EA | SURFACE CLOSER 4040XP SHCUSH MTG BKTS, SPCRS & PLATES AS REQ | 689 | LCN |
| 2 | EA | OFFSET DOOR PULL 8190-0-0 | 630 | IVE |
| 2 | EA | KICK PLATE 8400 10" X 2" LDW | 630 | IVE |
| 1 | SET | SEALS 700SA H & J (INSTALL PRIOR TO OTHER HARDWARE) | AL | NGP |
| 2 | EA | DOOR SWEEP C627A LENGTH AS REQ | AL | NGP |
| 1 | EA | OVERHEAD RAIN DRIP 16A DW + 4" | AL | NGP |
| 1 | EA | THRESHOLD 896V LENGTH AS REQ | AL | NGP |

REFER TO ELECTRICAL FOR ACCESS, CARD READER, ETC. INFORMATION, ETC.

Hardware Group No. 002: Provide each PR door(s) with the following:

| Quantity | Description | Model Number | Finish | Mfr |
|-----------------|--------------------|--|---------------|------------|
| 2 | EA | PIVOT SET 7215 | 626 | IVE |
| 2 | EA | PIVOT 7215 INT | 626 | IVE |
| 1 | EA | MULLION KR4954 HEIGHT AS REQUIRED | 689 | VON |
| 1 | EA | PANIC HARDWARE CD99EO LENGTH AS REQUIRED | 626 | VON |
| 1 | EA | PANIC HARDWARE CD99NL-OP LENGTH AS REQUIRED | 626 | VON |
| 1 | EA | RIM CYLINDER 20-057 ICX | 626 | SCH |
| 3 | EA | MORTISE CYLINDER 20-061 ICX | 626 | SCH |
| 4 | EA | PRIMUS CORE ONLY 20-740 | 626 | SCH |
| 2 | EA | OFFSET DOOR PULL 8190-0-0 | 630 | IVE |
| 2 | EA | SURFACE CLOSER 4041 SCUSH MTG BRKTS, SPCRS & PLATES AS REQ | 689 | LCN |
| 2 | EA | DOOR SWEEP C627A LENGTH AS REQUIRED | AL | NGP |
| 1 | EA | THRESHOLD 896V LENGTH AS REQUIRED | AL | NGP |
| 1 | | MEETING STYLE SEAL BY DOOR MANUFACTURER | | |
| 1 | | PERIMETER SEAL BY DOOR MANUFACTURER | | |

REFER TO ELECTRICAL FOR ACCESS, CARD READER, ETC. INFORMATION.

DIVISION 8 - DOORS & WINDOWS

SECTION 08700 - FINISH HARDWARE

Hardware Group No. 003: Provide each PR door(s) with the following:

| Quantity | Description | Model Number | Finish | Mfr |
|-----------------|---------------------|---|---------------|------------|
| 2 | EA PIVOT SET | 7215 | 626 | IVE |
| 2 | EA PIVOT | 7215 INT | 626 | IVE |
| 1 | EA MULLION | KR4954 HEIGHT AS REQUIRED | 689 | VON |
| 1 | EA PANIC HARDWARE | CD99EO LENGTH AS REQUIRED | 626 | VON |
| 1 | EA PANIC HARDWARE | CD99NL-OP LENGTH AS REQUIRED | 626 | VON |
| 1 | EA RIM CYLINDER | 20-057 ICX | 626 | SCH |
| 3 | EA MORTISE CYLINDER | 20-061 ICX | 626 | SCH |
| 4 | EA PRIMUS CORE ONLY | 20-740 | 626 | SCH |
| 2 | EA OFFSET DOOR PULL | 8190-0-0 | 630 | IVE |
| 2 | EA SURFACE CLOSER | 4041 SCUSH MTG BRKTS, SPCRS & PLATES AS REQ | 689 | LCN |

REFER TO ELECTRICAL FOR ACCESS, CARD READER, ETC. INFORMATION.

Hardware Group No. 004: Provide each SGL door(s) with the following:

| Quantity | Description | Model Number | Finish | Mfr |
|-----------------|--------------------|--|---------------|------------|
| 3 | EA HINGE | 5BB1 4.5 X 4.5 | 652 | IVE |
| 1 | EA OFFICE LOCK | L9050T 03N | 626 | SCH |
| 1 | EA CLASSIC CORE | 30-001 | 626 | SCH |
| 1 | EA STOP | WS407CCV OR FS436 AS REQUIRED | 628 | IVE |
| 3 | EA SILENCER | SR64 | GRY | IVE |
| 1 | EA SURFACE CLOSER | 4041 OR P4041 MTG BRKTS, SPCRS & PLATES AS REQ | 689 | LCN |
| 1 | EA KICK PLATE | 8400 10" X 1" LDW | 630 | IVE |

REFER TO ELECTRICAL FOR ACCESS, CARD READER, ETC. INFORMATION.

Hardware Group No. 005: Provide each SGL door(s) with the following:

| Quantity | Description | Model Number | Finish | Mfr |
|-----------------|--------------------|-------------------------------|---------------|------------|
| 3 | EA HINGE | 5BB1 4.5 X 4.5 | 652 | IVE |
| 1 | EA OFFICE LOCK | L9050T 03N | 626 | SCH |
| 1 | EA CLASSIC CORE | 30-001 | 626 | SCH |
| 1 | EA STOP | WS407CCV OR FS436 AS REQUIRED | 628 | IVE |
| 3 | EA SILENCER | SR64 | GRY | IVE |

Please note - CM to provide ALL connections required to the fire alarm, security, and electrical systems necessary for fully functioning devices meeting all applicable codes and standards.

DIVISION 8 - DOORS & WINDOWS

SECTION 08700 - FINISH HARDWARE

The following list of products and manufactures are acceptable for this project.

| <u>Product</u> | <u>Manufacture and Approved Equals</u> |
|----------------------------|--|
| 1. Hinges | A. Ives B. Hager C. Bommer |
| 2. Continuous Hinges | A. Pemko B. Roton C. Select |
| 3. Key System | A. Schlage (No substitutions) |
| 4. Lock/Latch | A. Schlage (No substitutions) |
| 5. Closers | A. LCN (No substitutions) |
| 6. Exit Devices | A. Von Duprin (No substitutions) |
| 7. Push/Pull/Plates | A. Ives B. Rockwood C. Trimco |
| 8. Misc. Stop, Bolts, etc. | A. Ives B. Glynn-Johnson C. Rockwood |
| 9. Door Seal/Thresholds | A. National Guard B. Pemko C. Reese |

Each Product, by category, shall be the product of one manufacture. Complete lockset, including keyed lock cylinder, shall be the product of one manufacturer unless noted otherwise.

Part 3 - Execution

3.01 Installation:

- A. Install all finish hardware in strict accordance with the manufacturer's recommendations and printed instructions. Wherever cutting and fitting is required to install hardware onto or into surfaces which are later to be painted or finished in another way, install each item completely and then remove and store in a secure place during the finish application. After completion of the finishes, reinstall each item. Do not install surface mounted items until finishes have been completed on the substrate.
- B. All hardware relating to hollow metal and aluminum doors and frames shall be to standard templates of each respective hardware manufacturer for items furnished.

DIVISION 8 - DOORS & WINDOWS

SECTION 08700 - FINISH HARDWARE

- C. Mounting Heights: Mount Hardware units at heights recommended by the National Builders Hardware Association, except as specifically indicated or required to comply with governing regulations, or as may be otherwise directed by the Architect.
- 3.02 Prior to the Final Inspection:
- A. The supplier shall check all closers for proper operation after they have been installed and adjusted by the Contractor. He shall verify the keying to ensure proper location of locksets and shall assist the Contractor in correcting faulty operation of any locks.
 - B. Within 30 days after the acceptance of the entire project, the Contractor shall be responsible for this supplier meeting with the maintenance custodian at the job site for the purpose of instructing him thoroughly in the proper repair and adjustment of all finish hardware items, and items, and shall present to the custodian a full complement of tools to be used.

End of Section

DIVISION 8 - DOORS AND WINDOWS

SECTION 08800 - GLAZING

Part 1 - General

1.01 Work Included:

- A. The General Conditions and applicable sections of Division 1 shall apply to this entire section.
- B. All materials, labor, services and incidentals necessary for the completion of this section of the work.

1.02 Quality Assurance:

- A. Standards:
 - 1. Federal Specifications
 - a. DD-G-451d, Glass, Plate, Sheet (for glazing and other uses).
 - 2. Flat Glass Jobber Association: Glazing Manual.
- B. Comply with UBC 2406, and ANSI 97.1 with testing requirements of 16 CFR 1201, Cat II.

1.03 **Products of certain manufacturers are specified herein to simplify descriptions of design, construction, and/or materials only. Proprietary names are not intended to imply that products of named manufacturer are required to the exclusion of equivalent products of other manufacturers.**

Part 2 - Products

2.01 Materials:

- A. Glass Types and Examples:
 - 1. 1/4" Tempered Glass:
 - a. Type example: 1/4" Clear Herculite - PPG.
 - 2. 1" Nominal Thickness Insulating Tempered Glass - 1/4" tinted glass @ exterior side and 1/4" 100 Low E glass @ interior side of 2" air space - **both sides tempered.** Low Emissivity coating on 3rd glass surface from building exterior.
 - a. Type Example: Versalux Green 2000 Insulated with Low-E, Visteon (Ford). **Note: Color will be a factor in approval.**
 - 3. Impact Resistant Glass:
 - a. Type Example: 6mm clear Lexan 9034 polycarbonate transparent panels.
- B. Glazing Compounds and Preformed Glaze Sealants: Suitable type as approved for the installation, in accordance with Glazing Materials section of the FGJA Glazing Manual. Verify required materials are provided for impact resistant glass locations.
- C. Glazing Accessories: Provide miscellaneous materials such as cleaners, primers, setting blocks, spacers, filler rods, beads, etc., as required for complete installation. Verify

DIVISION 8 - DOORS AND WINDOWS

SECTION 08800 - GLAZING

required materials are provided for impact resistant glass locations.

Part 3 - Execution

3.01 Installation:

- A. Glazing-General:
 - 1. Items to be glazed may be field- or shop-glazed, using glass of the quality and thickness specified or indicated. Preparation of surrounds and glazing, unless otherwise specified, shall be in conformance with the details and general conditions governing glazing in the FGMA Glazing Manual, beads or stops which are furnished with the items to be glazed shall be used to secure the glass in place.
 - 2. All glass shall be set with the waves parallel to the sill. Glass that has been misordered, i.e. with the width and height dimensions not properly correlated with the Drawing process in manufacturing, resulting in pronounced waviness at right angles to the sill, will be rejected.
 - 3. Install plastic glass edging strips where indicated. Joints shall be as tight and imperceptible as possible.
- B. Breakage: Replace all glass broken during or after setting. Breakage due to accident or carelessness or other will be charged to trade at fault.
- C. Inspection: Prior to final acceptance of project, inspect all work done under this section and make all necessary adjustments, repairs or replacements of defective work, and clean all glass surfaces.
- D. Clean-up: Remove all glass cuttings, scraps, packaging and rubbish upon completion of the work.

End of Section

DIVISION 9 - FINISHES

SECTION 09120 - CEILING SUSPENSION SYSTEMS

Part 1 - General

1.01 Work Included:

- A. All materials, labor, services and incidentals necessary for the completion of this section of the work.

1.02 Related Work Specified Elsewhere:

- A. Gypsum Wallboard - Section 09250
- B. Acoustical Treatment - Section 09500

1.03 Quality Assurance:

A. Standards:

- 1. American Society for Testing and Materials
 - a. ASTM C-635, Metal Suspension Systems for Acoustical Tile and Lay-In-Panel Ceilings.
 - b. ASTM C-636, Recommended Practice of Installation of Metal Ceiling Suspension Systems for Acoustical Tile and Lay-In-Panels.
- 2. All materials to comply with NFPA 101, 16-3.3.2, where applicable.

B. Submittals:

- 1. Provide submittals in the form of samples, and documentation, to the Architect for review.

1.04 **Products of certain manufacturers are specified herein to simplify descriptions of design, construction, and/or materials only. Proprietary names are not intended to imply that products of named manufacturer are required to the exclusion of equivalent products of other manufacturers.**

Part 2 - Products

2.01 Materials:

- A. Suspended Acoustical Ceiling - Exposed Grid: ASTM C-635, intermediate structural classification.
 - 1. Main Beams, Cross Tees and Concealed Members: .015 cold rolled zinc coated steel.
 - 2. Wall Angle: .020 cold rolled zinc coated steel.
 - 3. Special Members: Provide special shaped members as shown on the Drawings.
 - 4. Member Finish: Exposed surfaces shall be flat white low-gloss grid.
 - 5. Hanger Wire: No. 12 gauge cold drawn, annealed, galvanized.
 - 6. Accessories: Provide wall clips, hold-down clips (shall be removable without damage to boards; two each panels opposite sides), beam clamps leveling splines, hanger clips, splice plates), (keep to a minimum), for a complete installation.

DIVISION 9 - FINISHES

SECTION 09120 - CEILING SUSPENSION SYSTEMS

7. Acceptable Manufacturer: 200 Snap-Grid System, Chicago Metallic Corporation
8. Acoustical "Cloud" Edge Trim (if applicable):
 - a. Axiom Classic Trim as manufactured by Armstrong World Industries, Inc.
 - b. Commercial quality extruded aluminum alloy 6063 trim channel with factory applied baked polyester paint finish.
 - c. Color - white (to match ceiling grid).
 - d. Height - 8".
 - e. Provide all necessary accessories including, but limited to, corner posts, T-bar connection clips, galvanized steel splice plates, etc. Do not hang acoustical clouds from edge trim.
- B. Suspended Gypsum Board Ceilings:
 1. Structural Channels: Cold-rolled, 16 gauge, galvanized steel.
 2. Furring Channels: Roll-formed, hat sections, 20 gauge.

Part 3 - Execution

3.01 General:

- A. Coordinate with electrical and mechanical contractors in placement of light fixtures, grilles, etc. to conform with ceiling pattern.
- B. Construct necessary scaffolding, adequate and safe, in accordance with applicable laws and ordinances. Maintain during this work and remove after completion.
- C. Provide thorough and competent foreman and skilled mechanics.

3.02 Installation:

- A. Suspended Acoustical Ceiling:
 1. Deflection of any component shall not exceed $1/360$ of the span.
 2. Main tees shall be suspended on 48" centers by 12 gauge wire spaced not more than 48" o.c. along main tee.
 3. Cross tees shall be placed at 24" o.c. or as required by the Drawings.
 4. Install wall angles at intersection of suspended ceiling and all vertical surfaces. Miter corners where wall molding intersects.
 5. Install grid system and ceiling panels with faces in a plane.
 6. Provide intersection clips at intersection of all tees.
 7. Provide additional hangar wire at four corners of light fixtures.
 8. Provide additional hangar wires to insure proper placement

DIVISION 9 - FINISHES

SECTION 09120 - CEILING SUSPENSION SYSTEMS

and alignment of grid system.

9. Prior to the final acceptance of the building, examine and adjust water level to be certain that all planes and lines are plumb, square and smooth. Replace all marked, marred or otherwise damaged materials.

B. Suspended Gypsum Board Ceilings:

1. Coordinate location of hangars with other work.
2. Install ceiling framing independent of walls, columns and above ceiling work.
3. Install ceiling framing system in accordance with manufacturer's recommendations.
4. Reinforce openings in ceilings in accordance with manufacturer's recommendations.
5. Laterally brace entire suspension system where required.

3.03 Clean-Up:

- A. Completely remove from the job site, at the completion of the work, all cartons, packaging, etc., and all other scraps and waste caused by this trade.

End of Section

DIVISION 9 - FINISHES

SECTION 09250 - GYPSUM WALLBOARD

Part 1 - General

- 1.01 Work Included:
 - A. All materials, labor, services and incidentals necessary for the completion of this section of the work.
- 1.02 Quality Assurance:
 - A. Standards:
 - 1. American Society for Testing and Materials:
 - a. ASTM C-36, Gypsum Wallboard
 - b. ASTM C-475, Joint Treatment for Gypsum Wallboard Construction.
 - B. Federal Specifications:
 - 1. FS-SS-L-30D, Type III, Grade X, Class 1, Gypsum Wallboard.
- 1.03 Submittals:
 - A. Provide submittals in the form of samples, and documentation, to the Architect for review.
- 1.04 Product Delivery, Storage and Handling:
 - A. All materials shall be delivered to the job site with manufacturer's labels intact and stored in an enclosed shelter providing protection from damage and exposure to the elements.

Part 2 - Products

- 2.01 Gypsum Wallboard:
 - A. Type: **Fire-rated**, ASTM C-36.
 - B. Size: 5/8" thick x 48" wide x 96" or as required.
 - C. Edges: Tapered.
 - D. Location: All gypsum board.
- 2.02 Fasteners:
 - A. Screws: Self-drilling, self-tapping, bugle head, Type S.
 - B. Nails: Annular ring: GWB-54.
- 2.03 Joint Treatment Materials:
 - A. Joint Tape: Perforated Tape, ASTM C-475.
 - B. Joint Compound: ASTM C-475.
- 2.04 Accessories:
 - A. Metal Edge: Similar to United States Gypsum Trim No. 402.
 - B. Interior Trim: ASTM C 1047.
 - 1. Material: Galvanized coated steel sheet.
 - 2. Shapes:
 - a. Cornerbead.
 - b. L-Bead: L-shaped; exposed long flange receives joint compound.
 - c. Expansion (control) joint.
 - d. Curved-Edge Cornerbead: With notched or flexible flanges.
 - C. Hat-Shaped, Rigid Furring Channels: ASTM C 645, 7/8 inch deep.

DIVISION 9 - FINISHES

SECTION 09250 - GYPSUM WALLBOARD

1. Minimum Base Metal Thickness: 0.0312 inch.
- D. Laminating Adhesive: Adhesive or joint compound recommended for directly adhering gypsum panels to continuous substrate.

Part 3 - Execution

3.01 Installation:

- A. Apply gypsum board to horizontal surfaces first, then to vertical.
- B. Install gypsum board parallel to studs at vertical surfaces.
- C. To minimize joints, use panels of maximum practical lengths.
- D. Position all ends and edges of gypsum board over nailing or fastening members. Fit ends and edges closely; do not force together. Stagger end joints.
- E. Cut ends, edges, scribe or make cutouts within field of panel in a workmanlike manner.
- F. Install trim at all intersections of gypsum board and other surfaces. Provide corner bead at all vertical or horizontal corners.
- G. Fasteners:
 1. Drive fasteners in field of panel first, work toward ends and edges.
 2. Perimeter fasteners shall be a least 3/8" from ends and edges.
 3. Attach panels to wood framing members with specified nails spaced out 8" for ceiling, and 8" o.c. at ends and 12" o.c. at each support.
 4. Drive nail head slightly below surface of panel in a uniform dimple without breaking face paper.
 5. Screw fasteners shall be spaced 12" o.c. at each support in the field of the board and 8" o.c. at all edges and ends.
 6. Screws shall be power-driven with an electric screwdriver and screw heads shall provide a slight depression below surface of panel without breaking face paper.

3.02 Joint Treatment:

- A. Treat all exposed joints and trim with a three-coat approved system applied in strict accordance with manufacturer's recommendations.

3.03 Applying Texture Finishes:

- A. Surface Preparation and Primer: Prepare and apply primer to gypsum panels and other surfaces receiving texture finishes. Apply primer to surfaces that are clean, dry, and smooth.
- B. Texture Finish Application: Mix and apply finish using powered spray equipment, to produce a uniform texture matching approved mockup and free of starved spots or other evidence of thin

DIVISION 9 - FINISHES

SECTION 09250 - GYPSUM WALLBOARD

application or of application patterns. Provide light orange peel finish.

- C. Prevent texture finishes from coming into contact with surfaces not indicated to receive texture finish by covering them with masking agents, polyethylene film, or other means. If, despite these precautions, texture finishes contact these surfaces, immediately remove droppings and overspray to prevent damage according to texture-finish manufacturer's written recommendations.

3.04 Clean-Up:

- A. Use all necessary care during execution of the Work of this Section to prevent undue scattering of drywall scraps and dust and to prevent tracking of joint and finishing compounds onto floor surfaces. On completion of each installation segment in a room or space, promptly pick up and remove from the working area all scraps, debris and surplus material.

End of Section

DIVISION 9 - FINISHES

SECTION 09500 - ACOUSTICAL TREATMENT

Part 1 - General

1.01 Work Included:

- A. All materials, labor, services, and incidentals necessary for the completion of this section of the work.

1.02 Related Work Specified Elsewhere:

- A. Ceiling Suspension Systems - Section 09120

1.03 Quality Assurance:

A. Standards:

1. American Society for Testing and Materials:
 - a. ASTM C-636 Recommended Practice of Installation of Metal Ceiling Suspension Systems for Acoustical Tile and Lay-in Panels.
 - b. ASTM E-84 Surface Burning Characteristics of Building Materials.
2. Federal Specifications:
 - a. SS-S-118B, Sound Controlling Blocks and Boards. Underwriter's Laboratories, Inc.

B. Submittals:

1. Provide submittals in the form of samples, and documentation, to the Architect for review.

1.04 **Products of certain manufacturers are specified herein to simplify descriptions of design, construction, and/or materials only. Proprietary names are not intended to imply that products of named manufacturer are required to the exclusion of equivalent products of other manufacturers**

Part 2 - Products

2.01 Acoustical Ceiling Panels:

A. 2x2 Tile - Tegular Edge:

1. Type: FS-SS-S-118B, Class 25
2. Size: 24" x 24" x 5/8". Provide special sizes as indicated on Drawings or as required by others.
3. Finish: Board finish shall be a factory-applied white latex paint, medium textured non-direction fissured surface with a minimum light reflection of 80%.
4. Noncombustibility: Board shall meet class 25-Federal Specification SS-S-118B, ASTM E-84; and, classified by Underwriter's Laboratories for Flame Spread Index 0-25.
5. Type Example and Manufacturer:
 - a. Armstrong Fine Fissured No. 1732, beveled tegular 2x2).

DIVISION 9 - FINISHES

SECTION 09500 - ACOUSTICAL TREATMENT

Part 3 - Execution

3.01 Installation:

- A. Install in specified grid system per ASTM C-636 and manufacturer's recommendations, as shown on the Drawings.
- B. Provide ten (10) pieces of ceiling panels in cartons for future use. Panels shall be in perfect condition.

End of Section

DIVISION 9 - FINISHES

SECTION 09652 - POLYVINYL CHLORIDE COMPOSITION TILE

Part 1 - General

1.01 Work Included:

- A. All materials, labor, services and incidentals necessary for the completion of this section of the work.

1.02 Quality Assurance:

A. Standards:

1. ASTM 1700, Class III Type B
2. ASTM E648-06, Class I Reaction to Fire
3. FF 170, Flammability Test
4. ASTM C1028, Slip Resistance
5. ASTM F925, Staining Resistance
6. ASTM F1515, Light Fastness
7. ASTM F2199, Dimensional Stability
8. ASTM E492-09, IIC - 56 Acoustic Impact Noise Reduction
9. AATCC 134-1996, Electrical Behavior Body Voltage
10. ASTM F1914, Indentation - Residual
11. ASTM D3884, Abrasion Resistance
12. ASTM F137, Thermal Conductivity

1.03 Submittals:

- A. Submit samples for color selection.
- B. Maintenance Data and Instructions Furnish manufacturer's recommended maintenance methods and procedures.

1.04 No substitutions.

Part 2 - Products

2.01 General:

- A. Colors: Refer to color schedule.

2.02 Materials:

- A. Polyvinyl Chloride Floor Tile: shall be Karndean Design Flooring, LooseLay, Stone Series One to match existing school flooring.
 1. Size: 24" x 19.625" face size by 0.18" thick.
 2. Color: refer to the Drawings.
- B. Edging Strips and Tile Reducers:
 1. as required.
- C. Primer and Adhesive: loose lay. Provide as required and approved by Manufacturer.
- D. Wax, Cleaner, or other finishing material: As recommended by flooring manufacturer for the particular type of floor material.
- E. Wall Base:
 1. At all PVC flooring areas: match existing.
 2. At all Carpet Tile areas: provide 4" rubber cove wall base including premolded corners - inside and outside. Color shall be selected by Architect from manufacturer's standard

DIVISION 9 - FINISHES

SECTION 09652 - POLYVINYL CHLORIDE COMPOSITION TILE

colors. Acceptable manufacturers are - but not limited to - Roppe Corporation or Armstrong Commercial Flooring.

Part 3 - Execution

3.01 Installation:

- A. The Contractor shall be responsible for the manufacturer's representative making mat moisture and PH tests and reporting condition of concrete slab to the Architect in writing prior to placing floor materials.
- B. Carefully examine the surfaces on which the above materials are to be applied, report to Architect in writing any unsatisfactory surface and do not begin work until all defective surfaces have been corrected. Otherwise, the Contractor shall assume responsibility for all failures and defects resulting from such defective surfaces.
- C. Installation shall not begin until the work of all other trades, including painting, has been completed. The Contractor shall maintain all rooms and sub-floors at a minimum of 70 degrees F. for several days before and after application of tile.
- D. The floor shall be thoroughly cleaned and any pockets or cracks shall be filled in accordance with manufacturer's instructions flush with floor surface.
- E. The material shall be applied in a first class, workmanlike manner by skilled mechanics experienced in this type of work.
- F. Primer and adhesive shall be as recommended by the manufacturer of the flooring for this particular project. The adhesive for applying all materials shall be waterproof and shall be furnished and guaranteed by the flooring manufacturer. Edging strips and reducers, and other items so designated shall be installed using epoxy adhesive.

3.02 Cleaning and Waxing:

- A. When, in the opinion of the Contractor, the flooring has sufficiently sealed itself to permit cleaning and waxing, the floors shall be thoroughly cleaned with a neutral cleaner as recommended by the manufacturer of the flooring used.

3.03 Replacement Tile:

- A. Provide enough spare resilient floor tile, of each major color, in cartons to cover 50 square feet for future use. Resilient floor tile shall be in perfect condition.

End of Section

DIVISION 9 - FINISHES

SECTION 09681 - CARPET TILE

Part 1 - General

1.01 Work Included:

- A. Work includes but is not limited to providing carpet tile and installation.

1.02 Quality Assurance:

A. Standards:

- 1. The carpet manufacturer shall have no less than fifteen years of production experience with modular carpet similar to type specified. Published product literature of carpet manufacturer must clearly indicate compliance of products with requirements of this section.

B. Installer Qualifications:

- 1. The installation provider must be directly responsible for the quality of the completed floor covering installation, including both the quality of the materials and labor used in the installation. The installation provider must directly warrant to owner that all products, materials and services related to the floor covering installation (including any floor covering(s), adhesive(s) and/or other products or materials used in the installation) will meet specifications set forth herein. The product warranty required herein must be provided directly by the carpet manufacturer.
- 2. The installation provider must have successful carpet installation experience similar to the work of this Section and be recommended, trained and approved by the carpet manufacturer.

1.03 Submittals:

- A. Manufacturer's Data - copies, as required, of carpet manufacturer's specifications and installation instructions for carpet and related items specified.
- B. Fiber Verification - Certification from the fiber producer verifying use of the premium branded, Post-Consumer Content Type 6 fiber in the submitted carpet product.
- C. All applicable product warranties provided by manufacturer.

1.04 Delivery and Storage:

- A. Deliver all materials to the installation site in the manufacturer's original packaging. Packaging to contain manufacturers name, identification number and related information.

DIVISION 9 - FINISHES

SECTION 09681 - CARPET TILE

- B. Product to be delivered as required by manufacturer. Store in pallet form as supplied by manufacturer. Do not stack pallets.
 - C. Store materials in area of installation for a minimum period of 48 hours prior to installation.
- 1.05 Installation Quality Assurance:
- A. Flooring contractor to be specialty contractor normally engaged in this type of work and shall have three (3) years minimum documented experience in the installation of these materials.
 - B. Flooring contractor and sub-contractors must be approved by the architect and/or the carpet manufacturer.
 - C. Flooring contractor will be responsible for the proper product installation, including floor preparation in all the areas indicated in the drawings to receive carpet. The carpet installation standard will be as listed in The Carpet and Rug Institute's **Standard for Installation of Commercial Carpet CRI-104**.
 - D. Flooring contractor to provide owner a written warranty that guarantees the completed installation to be free from defects in materials and workmanship for a period of no less than one (1) year after job completion.
 - F. Qualifications of Installers: All work shall be done by installation firms specializing in commercial carpet installation. It is required, that the firm shall be a member of the Floor Covering Installation Contractors Association (FCICA) and/or certified by the Floor Covering Installation Board (FCIB).
 - G. Floor temperatures must be a minimum of 65° for 24 hours prior to installation. Floor temperature can usually vary 5-10° lower than room temperature. Modules must be conditioned to room temperature for 24 hours prior to installation. Relative humidity must be between 10%-65% maximum for 24 hours prior to installation. These conditions must also be maintained for 48 hours after completion of installation.
 - H. All carpet modules must be installed in the order they were manufactured. Select pallets in sequential order and follow the numbers located on each carton of tiles. Typically, an installation will begin with the lowest carton numbers and progress through the highest numbers until project is complete.
 - I. Full Spread Adhesive System: Requires a full spread adhesive system for the most trouble free installation. Fully spread adhesive using a 1/32 x 1/16 x 1/16 "U" or "V" notch trowel. Allow to completely dry so adhesive

DIVISION 9 - FINISHES

SECTION 09681 - CARPET TILE

does not transfer when touched. The proper amount of adhesive is mandatory to prevent the modules from shifting or moving.

1.06 Job Conditions:

- A. Sub-floor preparation is to include all required work to prepare the existing floor for installation of the product as specified in this document.
- B. Carpet installation shall not commence until painting and finishing work is complete and ceiling and overhead work is tested, approved, and completed.
- C. Site conditions shall include those specified in the carpet manufacturer's installation manual and shall also include sufficient heat, light, and power required for effective and efficient working conditions.

1.07 Extra Materials:

- A. Provide five percent (5%) extra material for shelf stock of carpet for each color and type specified.

1.08 Warranty - Carpet:

- A. Warranties must be the standard, printed warranties on the carpet manufacturer's letterhead. All warranty items to be full term, not pro-rated for the indicated period. All warranties must be issued by the manufacturer as standard published warranties on all types of carpet within this document. If the product fails to perform as warranted when properly installed and maintained according to procedures, the affected area will be repaired or replaced at the expense of the manufacturer. The carpet manufacturer, will provide standard published written performance warranties for the following:
 1. **Lifetime against excessive surface wear.** Excessive wear means no more than 10% loss of pile fiber weight measured before and after use as tested under ASTM D-3936.
 2. **Lifetime static protection,** meaning built-in protection below 3.0 kv as tested under AATCC-134.
- B. Carpet manufacturer shall warrant carpet manufactured with secondary backing for the useful life of the original installation against product failure from:
 1. Tuft Bind (edge ravel, yarn pulls, zippering)
 2. Delamination
 3. Moisture Penetration
 4. Dimensional Stability
- C. All warranties to be sole source responsibility of the carpet manufacturer. Second source warranties that involve parties other than the carpet manufacturer are unacceptable.

DIVISION 9 - FINISHES

SECTION 09681 - CARPET TILE

- D. Warranties shall not be written only for this purchase or purchaser. All warranties shall be standard issue nationally of official documents.
- 1.09 Performance Insurance General:
- A. Flammability Requirements:
 - 1. Pill Test / DOC-FF-1-70 (ASTM D-2589)
Requirement: Pass
 - 2. Flooring Radiant Panel / ASTM E-648
Requirement: Class 1 (Above .45 w/cm)
 - 3. Optical Smoke Density Test / NFPA-258 NBS Smoke Chamber (ASTM E-662)
Requirement: Less than 450, Flaming Mode
 - 4. Comply with the Carpet and Rug Institute (CRI) VOC Chamber Test/Indoor Air Quality test (CRI-IAQ) Green Label Test
 - B. Face Fiber Characteristics for **all** Carpets
 - 1. Bulked Continuous Filament (BCF),
 - 2. Acceptable Fiber Systems: as manufactured by Aquafil.
 - C. Sustainable Carpet Assessment Standard:
 - 1. NSF - 140 Gold.
 - 2. Carpet manufacturer and/or fiber producer must be a signatory of the National Carpet Recycling Agreement memorandum of understanding.
- 1.10 Products of certain manufacturers are specified herein to simplify descriptions of design, construction, and/or materials only. Proprietary names are not intended to imply that products of named manufacturer are required to the exclusion of equivalent products of other manufacturers.**

Part 2 - Products

- 2.01 General:
- A. Certified test reports shall be submitted by the carpet manufacturer, for all performance assurance specifications listed below.
 - B. Requirements listed below must be met by all products being submitted for approval.
 - C. All submitted test numbers should represent average for standard production goods.
- 2.02 Product Specification - Modular carpet tile shall meet the following specifications:
- A. Style: InterfaceFLOR
 - 1) Color "A" - Field: Aerial Flying Colors - AE315.
 - B. Yarn: 100% Nylon (with minimum 4% post-consumer content and +/- 60% total recycled content)

DIVISION 9 - FINISHES

SECTION 09681 - CARPET TILE

- C. Dye Method: 100% Solution / Yarn Dyed
 - D. Pile Thickness: 0.093 inch
 - E. Density: 6,968
 - F. Backing System: CQuest GB
 - G. Color: refer to Room Finish Schedule.
 - H. Special Treatments: ProTekt
- 2.03 Minimum Construction Standards:
- A. Nylon Specification - All nylon fiber shall be branded (premium) type 6 nylon from Aquafil with performance certification from the fiber manufacturer.
 - B. Antimicrobial, registered by the EPA for use in carpeting with broad spectrum efficacy against the growth of bacteria and fungi for a minimum of 15 years, assuming proper maintenance. The antimicrobial ingredient shall meet standards set by the U.S. General Services Administration (GSA) for Antimicrobial Carpet as supported by independent lab testing less than six months old.
 - 1. Intersept (AATCC 138 Washed).
 - 2. The preservative should be incorporated into the primary latex coating of the product during the manufacturing process, not topically applied to the carpet fibers.
 - 3. The antimicrobial treated carpet when new must pass GSA parameters for treated carpets via AATCC method 174 parts II and III. Initial performance must be 90% reduction of the microorganisms (Staphylococcus aureus 6538 and Klebsiella pneumoniae 4352) and no fungal growth on either the primary backing or fibers both on washed (AATCC method 174) and non-washed samples.
 - 4. The antimicrobial treated carpet must maintain, for the warranted life of the carpet, a minimum of 90% reduction of the microorganisms (Staphylococcus aureus 6538 and Klebsiella pneumoniae 4352) listed in AATCC method 171 part II, provided the carpet is maintained as specified. Additionally, the antimicrobial treated carpet must maintain a "no macroscopic growth" rating against Aspergillus niger 6275 at the primary backing in accordance with AATCC 171 part III.
 - 5. The preservative must be environmentally responsible i.e. (biodegradable and not toxic to non-target species).
 - 6. Efficacy of the preservative should be documented in professional peer reviewed scientific publications.

DIVISION 9 - FINISHES

SECTION 09681 - CARPET TILE

2.04 Related Carpet Materials:

- A. Leveling compound - Latex type as recommended by carpet manufacturer. Must be compatible with carpet adhesive and curing/sealing compound on concrete.
- B. Releasable pressure sensitive type adhesive - Adhesive must be water-based and allow for removal of carpet tile at any time without damage to carpet or substrate. Adhesive must contain antimicrobial preservative and have "zero" calculated VOC's.
- C. Carpet edge guard, non-metallic - Extruded or molded heavy duty vinyl or rubber carpet edge guard of size and profile indicated, and with minimum two inch wide anchorage flange; colors selected by architect/designer from among standard colors available within the industry.
- D. Miscellaneous materials - As recommended by manufacturer of carpet. Other carpeting products to be selected by installation provider to meet project requirements.
- E. Electrostatic (Dissipation low-generation):
 - 1. < 3.0 KV (AATCC 16-E).
- F. Lightfastness:
 - 1. \geq 4.0 @ 60 AFU's.

Part 3 - Execution

3.01 Installation:

- A. General
 - 1. Comply with manufacturer's instructions and recommendations for uniformity of direction.
 - 2. Install carpet under open-bottom obstructions and under removable flanges and furnishings, and into alcoves and closets of each space.
 - 3. Provide cut outs where required. Conceal cut edges with protective edge guards or overlapping flanges.
 - 4. Run carpet under open bottom items such as heating convectors and install tight against walls, columns and cabinets so that the entire floor area is covered with carpet. Cover over all floor type door closures.
 - 5. Install edging guard at all openings and doors wherever carpet terminates, unless indicated otherwise.
 - 6. Cutting shall be done in accordance with the manufacturer's recommendation, using the tools designed for the carpet being installed.
 - 7. Use leveling compound where necessary. Any floor filling or leveling shall have a minimum of 4'0" of feather.
 - 8. Expansion joints - Do not bridge building expansion joints with continuous carpeting.

DIVISION 9 - FINISHES

SECTION 09681 - CARPET TILE

- B. Installation
 - 1. Install carpet according to carpet manufacturer's printed instructions and in accordance with the Carpet and Rug Institute's Installation Standard.
- 3.03 Cleaning and Protection:
 - A. On completion of the installation in each area, all dirt, carpet scraps, etc. must be removed from the surface of the carpet.
 - B. Remove debris, and sort pieces to be saved from scraps to be redirected and recycled.
 - C. Construction manager shall protect carpeting against damage during construction.
- 3.04 Inspection:
 - A. Upon completion of the installation, verify that work is complete, properly installed and acceptable.

End of Section

DIVISION 9 - FINISHES

SECTION 09900 - PAINTING

Part 1 - General

1.01 Work Included:

- A. All materials, labor, services and incidentals necessary for the completion of this entire section of the work.
- B. Consult Drawings, finish schedules, details and specification section.

1.02 Quality Assurance:

- A. All painted surfaces shall be uniform in color, texture and finish to the satisfaction of the Architect.

1.03 Submittals:

- A. Submit manufacturer's specifications, including paint label analysis and application instructions for each material specified.
- B. Submit color samples for review of color and texture.
- C. Provide samples of all natural and stained wood finishes.
- D. Final samples: Prepare samples of finishes on the job to the satisfaction of the Architect. If required, a 4' x 8' portion of wall surface finished as final sample.

1.04 Product Deliver, Storage and Handling:

- A. Materials shall be delivered to the project site in strong, undamaged, waterproof containers with manufacturer's label intact. Materials in previously opened or unsealed containers, are not acceptable.
- B. Include on label of container: Manufacturer's name, type of paint, number and application instructions.
- C. Immediately upon delivery to the project site, all painter materials shall be stored and locked in a watertight shed with floor well off the ground. The shed shall remain locked at all times except for adding or removing materials.
- D. No materials of any manufacturer will be allowed on the project site any time during construction except those of the manufacturers specified or approved by the Architect.

1.05 Job Conditions:

- A. Comply with manufacturer's recommendations as to environmental conditions under which coating and coating systems can be applied.
- B. Do not apply finishes in areas where dust is being generated or where work in progress may affect finish quality.
- C. Protect finished work of other trades, and all surfaces not being painted concurrently, or not to be painted.

Part 2 - Products

2.01 General:

- A. The following specifications for Finishes is not intended to mention every particular item which will receive painter finish, but is intended to establish type and quality of finish which shall be required on various materials.
- B. **Products of Sherwin-Williams are specified herein to simplify descriptions of types and qualities of finishes required only.**

DIVISION 9 - FINISHES

SECTION 09900 - PAINTING

Proprietary names are not intended to imply that products of named manufacturer are required to the exclusion of equivalent products of other manufacturers.

- C. Wherever the abbreviation "SW" appears in the following detailed specification, it shall be understood to mean Sherwin-Williams.
 - D. Primers shall be as specified by manufacturers of finish paint used and as approved by the Architect.
- 2.02 Acceptable Manufacturers:
- A. Sherwin-Williams.
 - B. PPG Industries.
 - C. Cook Paint and Varnish Co.
 - D. Pratt and Lambert.
 - E. Kelly-Moore.
- 2.02 Exterior Finishes:
- A. Enamel on Ferrous Metals:
 - 1. One coat SW Kem Kromik Primer, (Alkyd primer).
 - 2. Two coats SW Industrial Enamel, (Alkyd gloss enamel).
 - B. Enamel on Exterior Door Frames and Doors:
 - 1. Shop coat by others-touch up as required.
 - 2. Two coats SW Industrial Enamel, (Alkyd gloss enamel).
 - C. Enamel on Galvanized Metal:
 - 1. One Coat SW Galvite primer.
 - 2. 2 Coats SW Industrial Enamel, (Alkyd gloss enamel).
 - D. Enamel on Exterior Concrete Block:
 - 1. One coat SW Promar Latex Block Filler B25W25.
 - 2. Two coats SW A-100 Semi-Gloss Latex Enamel.
- 2.03 Interior Finishes:
- A. Enamel on Metal: All miscellaneous and ornamental metal items which are left exposed, hollow metal doors and frames.
 - 1. Shop coat by others - touch up as required.
 - 2. Two coats SW Promar 200 Semi-Gloss. Enamel, (Alkyd semi-gloss enamel).
 - B. Enamel on Concrete Block:
 - 1. One coat SW Promar 200 Block Filler (vinyl acrylic latex).
 - 2. Two coats SW Promar 200 Semi-Gloss Enamel.
 - C. Enamel on Gypsum Board Ceilings/Facias/Walls
 - 1. One coat SW Promar 200 Wall Primer with Medium Texture. (Vinyl Acrylic Latex Wall Primer.)
 - 2. Two coats SW Promar 200 Semi-Gloss Latex Enamel.
 - D. Tape and Float: Joints on Gypsum Board.
 - 1. As per manufacturer's instructions.
 - 2. All joints shall be sanded ready for primer's finish.
 - E. Interior Millwork and Cabinetry:
 - 1. One coat SW Promar 200 Alkyd Enamel Primer/Undercoat.
 - 2. Two coats SW Promar 200 Semi-Gloss Latex Enamel.
 - F. Enamel on Wood Trim:
 - 1. One coat SW Promar 200 Alkyd Enamel Primer/Undercoat.
 - 2. Two coats SW Promar 200 Semi-Gloss Latex Enamel.
 - G. Back-Painting, Interior Work:
 - 1. Two coats SW Promar 200 Alkyd Enamel Primer/Undercoat.

DIVISION 9 - FINISHES

SECTION 09900 - PAINTING

- H. Enamel on Exposed Metal Piping:
 - 1. One coat SW Galvite primer.
 - 2. Two coats SW Promar 200 Semi-Gloss Latex Enamel.

Part 3 - Execution

3.01 Inspection:

- A. Notify Contractor of any surface not in proper condition to be finished before proceeding with the work. Starting work will constitute the painter's acceptance of preceding work, and conditions under which finish will be applied and his assumption of responsibility for results to be obtained.

3.02 Preparation of Surfaces:

- A. Wood:
 - 1. Sand to a smooth even surface, then dust off.
 - 2. Touch-up knots, resinous spots, etc., on all surfaces with shellac 18 hours before applying prime coat.
 - 3. Fill nail holes, cracks and blemishes flush after priming coat has dried.
- B. Concrete Block and Concrete:
 - 1. Repair cracks and irregularities to provide uniform surface texture.
- C. Ferrous Metal Surfaces:
 - 1. Remove rust and scale, clean grease or oil surfaces with turpentine or benzine before painting.

3.03 Application:

- A. Number of coats and quality of finish shall be in accordance with these specifications, which requires the use of material which will product first quality finish if properly applied.
- B. Apply coats of material in strict accordance with manufacturer's currently published specifications, except where requirements of these specifications are in excess or manufacturer's requirements.
- C. Except as otherwise approved by the Architect, the first two coats of painter's finish shall be applied by roller or brush application. Finish coats may be applied by spray application.
- D. Comply with recommendation of product manufacturer for drying time between succeeding coats allow additional as required until finish is dry.
- E. All work where a coat of material has been applied must be inspected and approved before application of succeeding coat, otherwise, no credit for the coat well be given. Notify Architect when a particular coat has been completed for inspection and approval.
- F. Shellacs, oils, turpentine, etc., shall be of the highest quality and subject to approval of Architect. Materials shall be mixed in and applied directly from containers which they are purchased except when use of other containers is approved.
- G. First Coat of all finishes, except of varnish and stains, shall be white.

DIVISION 9 - FINISHES

SECTION 09900 - PAINTING

- H. Sand lightly between coats where shellac, varnish or enamel is used.
 - I. Remove all hardware, accessories, machined surfaces, and similar items in place and not to be finish-painted, or provide surface-applied protection prior to surface preparation and painting operations.
- 3.04 Clean-up:
- A. Clean and paint spots from work and touch-up or otherwise repair any defective or damaged work.
 - B. Remove all surplus materials and equipment after work is completed.
 - C. Leave entire job clean and acceptable to the Architect.

End of Section

DIVISION 10 - SPECIALTIES

SECTION 10100 - MARKERBOARDS AND TACKBOARDS

Part 1 - General

1.01 Work Included:

- A. All materials, labor, services and incidentals necessary for the completion of this section of the work.

1.02 Quality Assurance:

- A. Standards:
 1. American Society for Testing and Materials:
 - a. ASTM A-424, Steel Sheets for Porcelain Enameling.
 2. Federal Specifications:
 - a. LL-B-810B, Hardboard.
 3. Military Specifications:
 - a. MIL-C-15116C, Cork Sheet.

1.03 Submittals:

- A. Shop Drawings: Submit dimensioned shop Drawings indicating location, type, size, arrangement, adhesive, backing, anchor or mounting details, trim, and accessories.
- B. Submit samples showing the full range of colors available for each unit.

Part 2 - Products

2.01 Materials:

- A. Porcelain Enamel Steel Markerboards:
 1. Type: Factory-built aluminum framed unit.
 2. Construction: Factory LCS face on 24 gauge steel laminated to 3/8" hardboard with .015 aluminum back-up.
 3. Color: LCS faces shall be white.
 4. Trim: Provide "H" bar joint cover at adjacent panels, color to match narrow leg showing, map rail with cork inserts and chalk trough.
 5. Accessories: Provide two map hooks with paper clips at each chalkboard unit.
 6. Mounting System: Concealed metal spline system. **At exterior walls provide "stand-off" mounting brackets to prevent condensation behind boards.**
- B. Tackboard:
 1. Type: Factory-built aluminum framed unit.
 2. Construction: Vinyl covered surface bonded to a 2" thick insulation board core, with a 7/8" x 5/8" aluminum frame. Refer to Color Schedule.
 3. Mount System: Manufacturer's standard.
 4. Acceptable manufacturer: Best-Rite Vin-Tak tackboards.

DIVISION 10 - SPECIALTIES

SECTION 10100 - MARKERBOARDS AND TACKBOARDS

Part 3 - Execution

3.01 Installation:

- A. Install units straight, plumb, and level with metal splice system. Refer to Drawings.

End of Section

DIVISION 10 - SPECIALTIES

SECTION 10400 - INTERIOR SIGNAGE

Part 1 - General

1.01 Work Included:

- A. All materials, labor, services and incidentals necessary for the completion of this entire section of the work.

1.02 Quality Assurance:

- A. Standards:
 - 1. UFAS Fed. Std. 795-Requirements for the physically handicapped.
 - 2. MIL Spec. L-P-387a, type NDP, rated self-extinguishing, for sign materials.

1.03 Submittals:

- A. Provide manufacturer's catalog cut and data sheets, complete parts list and installation requirements for each item specified.
- B. Schedules: Indicate location and placement for all graphic items.

1.04 Product Delivery, Storage and Handling:

- A. Handle and store all items with care to prevent damage and injury to finish surfaces.

Part 2 - Products

2.01 Products of the manufacturers listed below have been specified herein to simplify descriptions of design, construction, and materials only. All items have been selected for visual and performance design quality which shall serve as a basis for acceptance of equivalent products by other manufacturers.

2.02 Signage System:

- A. Material: 1/8 inch thick, type ES melamine plastic.
- B. Size: 8" x 8" x 1/8", with 1/2" radius corners. Custom design - refer to 2.04 for text and symbols.
- C. Mounting: All graphics shall be permanently mounted to wall or door surface with tamper resistant screws.
- D. Color: black background with white letters. Submit color samples with submittals, prior to approval. **Colors will be a factor in product acceptance.**
- E. Letter Style: Helvetica Medium.
- F. Standard Grade 2 braille shall be below all copy, all signs.
- G. All graphic material shall meet the requirements of UFAS Fed. Std. 795, and MIL spec L-P-387a.
- H. Acceptable Manufacturer: Series 200A, Type D format, Mohawk Sign systems.

DIVISION 10 - SPECIALTIES

SECTION 10400 - INTERIOR SIGNAGE

2.03 Plaque Groupings Required (letter designation refers to 2.04):

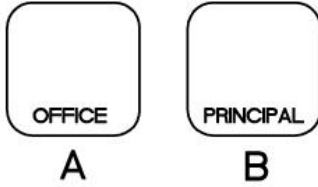
| <u>Quantity</u> | <u>Plaque</u> | <u>Mounting Location</u> |
|-----------------|---------------|--------------------------|
|-----------------|---------------|--------------------------|

**Coordinate location with Architect

| Plaque | Quantity | Location |
|---------------|-----------------|---------------------|
| A | 1 | 1 each @ door no. 4 |
| B | 1 | 1 each @ door no. 7 |

SECTION 10400 - INTERIOR SIGNAGE

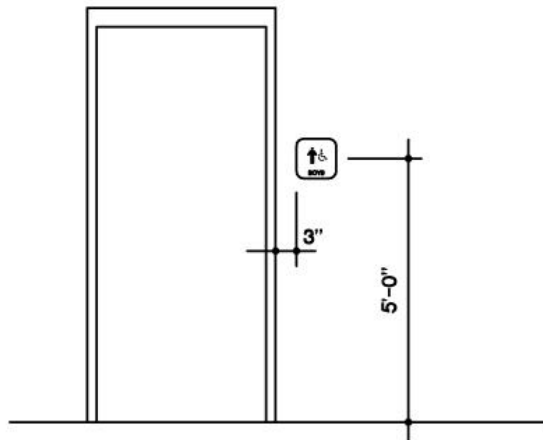
2.04 Signage Plaques Required:



****** INDICATES ROOM NUMBER TO BE COORDINATED WITH ARCHITECT AND OWNER

Note: all signage plaques shall have grade 2 braille translations under text.

2.05 Typical Mounting:



Mounting Height

Typical Wall Location

Verify location with architect.

DIVISION 10 - SPECIALTIES

SECTION 10400 - INTERIOR SIGNAGE

Part 3 - Execution

3.01 Installation:

- A. Comply with manufacturer's installation instructions and details on the Drawings. Set all units plumb and level in location indicated on the Drawings or as directed.
- B. Provide all necessary accessories: Items to support or attach Identifying Devices to result in a complete installation.
- C. Protect all signage plaques to prevent damage after installation.

End of Section

DIVISION 10 - SPECIALTIES

SECTION 10420 - LETTERS AND PLAQUES

Part 1 General

1.01 Work Included:

- A. All materials, labor, services, and incidentals necessary for the completion of this entire section of the work.

1.02 Submittals:

- A. Shop Drawings: Indicate details and dimensions of fabrication and installation including layouts and assemblies. Begin fabrication only after receiving approved shop Drawings.
- B. Manufacturer's Literature: Descriptive literature and installation instructions.

1.03 Product Delivery, Storage, and Handling:

- A. Handle and store all items with care to prevent damage and injury to finish surfaces.

Part 2 - Products

2.01 Cast Letters at interior locations:

- A. Finish: Clear anodized aluminum finish.
- B. Color: **Color will be a factor in product selection.**
- C. Letter Style: **OPTIMA.**
- D. Size: height - **6" lower case / 8" upper case.**
- E. Mounting: Projected mounting with 1" spacer sleeve.
- F. Quantity: Sufficient letters to spell out the following (quantities in parentheses):

1. **home of the GOLDEN CATS** (x 1)

- G. Verify exact spelling/punctuation with Architect.
- H. Location: refer to the Drawings.
- I. Acceptable Manufacturer: A.R.K. Ramos, Oklahoma City.

2.02 Cast Letters at exterior locations:

- A. Finish: Clear anodized aluminum finish.
- B. Color: **Color will be a factor in product selection.**
- C. Letter Style: **OPTIMA.**
- D. Size: height - **24"**.
- E. Mounting: Mount to top of steel tube per drawings.
- F. Quantity: Sufficient letters to spell out the following (quantities in parentheses):

2. **SOUTHGATE ELEMENTARY** (X 1)

- G. Verify exact spelling/punctuation with Architect.
- H. Location: refer to the Drawings.
- I. Acceptable Manufacturer: A.R.K. Ramos, Oklahoma City.

DIVISION 10 - SPECIALTIES

SECTION 10420 - LETTERS AND PLAQUES

2.03 Cast Metal Plaque at interior location:

A. Castings shall be free from pits, scale, sand holes, or other defects. Comply with requirements specified for metal, border style, background texture, and finish, and with requirements shown for thickness, size, shape, and copy. Hand-tool and buff borders and raised copy to produce the manufacturer's standard satin polished finish. **Coordinate final design with Architect.**

1. Metal: aluminum.
2. Border Style: Type 504.
3. Background Texture: manufacturer's standard No. 2 black pebble texture.
4. Letter Style: Helvetica upper case - raised satin aluminum finish.
5. Mounting Method: No. 4 concealed fasteners.
6. Finish: manufacturer's satin aluminum finish.
7. Size: 20 inches x 24 inches.
8. Content:

SOUTHGATE ELEMENTARY SCHOOL
NEW OFFICE ADDITION
MOORE PUBLIC SCHOOLS

SUPERINTENDENT OF SCHOOLS:
DR. ROBERT ROMINES

| | |
|----------------------|----------------|
| BOARD OF EDUCATION: | |
| ALLISON RICHEY | PRESIDENT |
| STACI PRUETT | VICE PRESIDENT |
| MANDY KINCANNON | MEMBER |
| ERIN MORRISON | MEMBER |
| JENNY NGUYEN-STATLER | MEMBER |

ASSISTANT SUPERINTENDENT – OPERATIONS:
JEFF HORN

ARCHITECT:
AGP – THE ABLA GRIFFIN PARTNERSHIP LLC
MOORE, OKLAHOMA

CONTRACTOR:
OMNI CONSTRUCTION LLC
MOORE, OKLAHOMA

9. Type Example: ARK-Ramos Manufacturing Company, Inc.

DIVISION 10 - SPECIALTIES

SECTION 10420 - LETTERS AND PLAQUES

10. Location: locate on south wall of Corridor, Room #2 adjacent to Door #3 as directed by Architect.

Part 3 - Execution

3.01 Installation:

- A. Install units plumb and level in locations indicated on the Drawings, following manufacturer's recommendations.
- B. Provide all necessary accessories: Items to support or attach metal letters to result in a complete installation.
- C. Protect all finishes to prevent damage before, during and after installation.

End of Section

DIVISION 10 - SPECIALTIES

SECTION 10520 - FIRE PROTECTION SPECIALTIES

Part 1 General

- 1.01 Work Included:
- A. All materials, labor, services and incidentals necessary for the completion of this entire section of the work.
- 1.02 Submittals:
- A. Submit Manufacturer's Literature: Descriptive literature, product data and installation instructions.
- 1.03 Product Delivery, Storage and Handling:
- A. Handle and store all items with care to prevent damage to equipment. Damaged equipment shall be rejected.
- 1.04 Quality Assurance:
- A. Standards:
 1. Conform to NFPA 10 requirements for portable fire extinguishers.
 - B. Provide fire extinguishers, cabinets and accessories by a single manufacturer.
- 1.05 **Products of certain manufacturers are specified herein to simplify descriptions of design, construction, and/or materials only. Proprietary names are not intended to imply that products of named manufacturer are required to the exclusion of equivalent products of other manufacturers.**

Part 2 - Products

- 2.01 Materials:
- A. Fire Extinguishers:
 1. Model No. 10E - Cosmic multi-purpose dry chemical fire extinguisher. UL, 4A-60-BC.
 - B. Fire Extinguisher Cabinets:
 1. Model No.: Academy 1026V10 with return trim as required with rolled edge.
 2. Door Style: Contemporary V, with flat trim.
 3. Glazing: 1/4" clear acrylic.
 4. Finish: Aluminum, mill finish, clear anodized.
 5. Fire Rated Enclosure: provide fire stopping material to protect integrity of fire rated partition as required by applicable codes and standards.

Part 3 - Execution

- 3.01 Installation:
- A. Install equipment as located on the Drawings and comply with manufacturer's written instructions for equipment provided.
 - B. Prepare recesses in walls for fire extinguisher cabinets as required for type and size of cabinet and style of trim, and

DIVISION 10 - SPECIALTIES

SECTION 10520 - FIRE PROTECTION SPECIALTIES

- to comply with manufacturer's instructions.
- C. Securely fasten mounting brackets and fire extinguisher cabinets to the structure, square and plumb, to comply with manufacturer's instructions.
 - D. Check extinguishers for proper charge operation.
 - E. Remove and replace damaged, defective or under charged units.

End of Section

SECTION 230500

COMMON WORK RESULTS FOR HVAC

PART 1 GENERAL

1.1 RELATED WORK

- A . Section 230513 - Common Motor Requirements for HVAC Equipment.
- B . Section 230593 - Testing, Adjusting, and Balancing for HVAC.
- C . Section 233300 - Air Duct Accessories.

1.2 REFERENCE

- A . Applicable provisions of Division 1 govern work under this section.

1.3 REFERENCE STANDARDS

- A . Abbreviations of standards organizations referenced in other sections are as follows:
 - 1. AABC Associated Air Balance Council.
 - 2. ADC Air Diffusion Council.
 - 3. AGA American Gas Association.
 - 4. AMCA Air Movement and Control Association.
 - 5. ANSI American National Standards Institute.
 - 6. ARI Air Conditioning and Refrigeration Institute.
 - 7. ASHRAE American Society of Heating, Refrigerating and Air Conditioning Engineers.
 - 8. ASME American Society of Mechanical Engineers.
 - 9. ASTM American Society for Testing and Materials.
 - 10. EPA Environmental Protection Agency.
 - 11. GAMA Gas Appliance Manufacturers Association.
 - 12. IEEE Institute of Electrical and Electronics Engineers.
 - 13. ISA Instrument Society of America.
 - 14. MCA Mechanical Contractors Association.
 - 15. MICA Midwest Insulation Contractors Association.
 - 16. NBS National Bureau of Standards.
 - 17. NEBB National Environmental Balancing Bureau.
 - 18. NEC National Electric Code.
 - 19. NEMA National Electrical Manufacturers Association.
 - 20. NFPA National Fire Protection Association.
 - 21. SMACNA Sheet Metal and Air Conditioning Contractors' National Association. Inc.
 - 22. UL Underwriters Laboratories Inc.
 - 23. ASTM E814 Standard Test Method for Fire Tests of Through-Penetration Fire Stops.
 - 24. ASTM E84 Standard Test Method for Surface Burning Characteristics of Building Materials.
 - 25. UL1479 Fire Tests of Through-Penetration Firestops.
 - 26. UL723 Surface Burning Characteristics of Building Materials.

1.4 QUALITY ASSURANCE

- A . Where equipment or accessories are used which differ in arrangement, configuration, dimensions, ratings, or engineering parameters from those indicated on the contract documents, the Contractor is responsible for all costs involved in integrating the equipment or accessories into the system and for obtaining the performance from the system into which these items are placed. This may include changes found necessary during the testing, adjusting, and balancing phase of the project.

1.5 CONTINUITY OF EXISTING SERVICES

- A . Do not interrupt or change existing services without prior written approval from the Owner Project Representative. When interruption is required, coordinate the down-time with the user agency to minimize disruption to their activities. Unless specifically stated, all work involved in interrupting or changing existing services is to be done during normal working hours.

1.6 PROTECTION OF FINISHED SURFACES

- A . Refer to applicable sections in Bidding Requirements and Division 1 - General Requirements.
- B . Furnish one can of touch-up paint for each different color factory finish which is to be the final finished surface of the product. Deliver touch-up paint with other "loose and detachable parts" as covered in the General Requirements.

1.7 SLEEVES AND OPENINGS

- A . Refer to applicable sections in Bidding Requirements and Division 1 - General Requirements.

1.8 SEALING AND FIRESTOPPING

- A . Sealing and firestopping of sleeves/openings between ductwork, piping, etc. and the sleeve, structural or partition opening shall be the responsibility of the Contractor whose work penetrates the opening. The Contractor responsible shall hire individuals skilled in such work to do the sealing and fireproofing. These individuals hired shall normally and routinely be employed in the sealing and fireproofing occupation.
- B . Firestopping shall be UL listed and labeled for the actual application.

1.9 SUBMITTALS

- A . Submittals must be reviewed, and approved by submitting Contractor.
- B . Submit for all equipment and systems as indicated in the respective specification sections, marking each submittal with that specification section number. Mark general catalog sheets and drawings to indicate specific items being submitted and proper identification of equipment by name and/or number, as indicated in the contract documents.
- C . Before submitting electrically powered equipment, verify that the electrical power and control requirements for the equipment are in agreement with the motor starter schedule on the electrical drawings. Include a statement on the shop drawing transmittal to the Engineer that the equipment submitted and the motor starter schedule is in agreement or indicate any discrepancies. See related comments in Section 230513 - Common Motor Requirements for HVAC Equipment in Part 1 under Electrical Coordination.
- D . Include wiring diagrams of electrically powered equipment.
- E . Submit all shop drawings in PDF format with paper copies.
- F . Submit sufficient quantities of printed shop drawings to allow the following distribution:
 - 1. Operating and Maintenance Manuals 2 copies.
 - 2. Testing, Adjusting and Balancing Contractor 1 copy.
 - 3. Owner 1 copy.
 - 4. Architect/Engineer 1 copy.

1.10 OFF SITE STORAGE

- A . Prior approval by Owner and the Architect/Engineer will be needed. The Contractor shall carry insurance for full value, with Owner as beneficiary for consideration of offsite materials storage.
- B . Generally, ductwork, metal for making ductwork, duct lining, sleeves, and similar rough in material will not be accepted for offsite storage. For material that can be stored off site, no material will be accepted for offsite storage unless shop drawings for that material have been approved.

1.11 REQUEST AND CERTIFICATION FOR PAYMENT

- A . Within 10 days after Notice to Proceed, the successful bidder will submit to the Owner Project Representative in a form prescribed below and by the General Conditions of the Contract - Scheduling and Coordination of Work, Reports, Records and Data, Payments to Contractor, a cost breakdown of the proposed values for work performed which, if approved by Owner, will become the basis for construction progress and monthly payments. The cost breakdown items shall reflect actual work progress stages as closely as feasible.
- B . In addition, if payment is requested for approved off-site stored material, then that material shall be listed as a line item in the request and certification for payment cost breakdown.

1.12 CERTIFICATES AND INSPECTIONS

- A . Refer also to applicable sections in Bidding Requirements and Division 1 - General Requirements.
- B . Obtain and pay for all required State installation inspections except those provided by the Architect/Engineer. Deliver originals of these certificates to the Division Project Representative. Include copies of the certificates in the Operating and Maintenance Instructions.

1.13 OPERATING AND MAINTENANCE INSTRUCTIONS

- A . Assemble material in three ring or post binders, using an index at the front of each volume and tabs for each system or type of equipment. In addition to the data indicated in the General Requirements, include the following information:
 1. Copies of all approved shop drawings.
 2. Manufacturer's wiring diagrams for electrically powered equipment.
 3. Records of tests performed to certify compliance with system requirements.
 4. Certificates of inspection by regulatory agencies.
 5. Parts list for manufactured equipment.
 6. Lubrication instructions, including list/frequency of lubrication done during construction.
 7. Warranties.
 8. Additional information as indicated in the technical specification sections.
- B . Provide a PDF file copy of all Operation and Maintenance (O&M) Manuals.

1.14 OWNER TRAINING

- A . Instruct personnel in the proper operation and maintenance of systems and equipment provided as part of this project. Include not less than 4 hours of instruction, using the Operating and Maintenance manuals during this instruction. Demonstrate startup and shutdown procedures for all equipment. All training to be during normal working hours.

1.15 RECORD DRAWINGS

- A . Refer to applicable sections in Bidding Requirements and Division 1 - General Requirements.
- B . In addition to the data indicated in the General Requirements, maintain temperature control record drawings on originals prepared by the installing contractor/subcontractor. Include copies of these record drawings with the Operating and Maintenance manuals.

PART 2 PRODUCTS

2.1 ACCESS PANELS AND DOORS

- A . Lay-in Ceilings:
 1. Removable lay-in ceiling tiles in 2 X 2 foot or 2 X 4 foot configuration provided under Division 9 are sufficient; no additional access provisions are required unless specifically indicated.

B . Plaster Walls and Ceilings:

1. 16 gauge frame with not less than a 20 gauge hinged door panel, prime coated steel for general applications, stainless steel for use in toilets, showers, and similar wet areas, concealed hinges, screwdriver operated cam latch for general applications, key lock for use in public areas, UL listed for use in fire rated partitions if required by the application. Use the largest size access opening possible, consistent with the space and the equipment needing service; minimum size is 12" by 12".

2.2 IDENTIFICATION

A . Stencils:

1. Not less than 1 inch high letters/numbers for marking pipe and equipment.

B . Engraved Name Plates:

1. White letters on a black background, 1/16 inch thick plastic laminate, beveled edges, screw mounting, Setonply Style 2060 by Seton Name Plate Company or Emedolite- Style EIP by EMED Co., or equal by Marking Services, or W. H. Brady.

2.3 SEALING AND FIRESTOPPING

A . Non-Rated Penetrations:

1. Duct Penetrations:
 - a. Annular space between duct (with or without insulation) and the non-rated partition or floor opening shall not be larger than 2". Where existing openings have an annular space larger than 2", the space shall be patched to match existing construction to within 2" around the duct.
 - b. Where shown or specified, pack annular space with fiberglass batt insulation or mineral wool insulation. Provide 4" sheet metal escutcheon around duct on both sides of partition or floor to cover annular space.

PART 3 EXECUTION

3.1 BUILDING ACCESS

- A . Arrange for the necessary openings in the building to allow for admittance of all apparatus. When the building access was not previously arranged and must be provided by this Contractor, restore any opening to its original condition after the apparatus has been brought into the building.

3.2 EQUIPMENT ACCESS

- A . Install all piping, conduit, ductwork, and accessories to permit access to equipment for maintenance and service. Coordinate the exact location of wall and ceiling access panels and doors with the General Contractor, making sure that access is available for all equipment and specialties. Access doors in general construction are to be furnished by the Mechanical Contractor and installed by the General Contractor.
- B . Provide color coded thumb tacks or screws, depending on the surface, for use in accessible ceilings which do not require access panels.

3.3 COORDINATION

- A . Verify that all devices are compatible for the surfaces on which they will be used. This includes, but is not limited to, diffusers, register, grilles, and recessed or semi recessed heating and/or cooling terminal units installed in/on architectural surfaces.
- B . Coordinate all work with other Contractors prior to installation. Any installed work that is not coordinated and that interferes with other Contractor's work shall be removed or relocated at the installing Contractor's expense.

- C . Cooperate with the test and balance agency in ensuring Section 230593 specification compliance. Verify system completion to the test and balance agency (clean filters, duct systems cleaned, controls adjusted and calibrated, controls cycled through their sequences, etc.), ready for testing, adjusting and balancing work. Install dampers, gauges, temperature controls, etc., required for functional and balanced systems. Demonstrate the starting, interlocking and control features of each system so the test and balance agency can perform its work.

3.4 IDENTIFICATION

- A . Identify equipment in mechanical equipment rooms by stenciling equipment number and service with one coat of black enamel against a light background or white enamel against a dark background. Use a primer where necessary for proper paint adhesion. Do not label equipment such as cabinet heaters and ceiling fans in occupied spaces.
- B . Where stenciling is not appropriate for equipment identification, engraved name plates may be used.
- C . Use engraved name plates to identify control equipment.

3.5 SLEEVES

- A . Duct Sleeves:
 - 1. Duct sleeves are not required in non-rated partitions or floors.
 - 2. Provide sleeve required for fire dampers in fire-rated partitions and floors. Reference fire damper details on drawings.

3.6 SEALING AND FIRESTOPPING

- A . Fire and/or Smoke Rated Penetrations:
 - 1. Install approved product in accordance with the manufacturer's instructions where pipes penetrate a fire/smoke rated surface. When pipe is insulated, use a product which maintains the integrity of the insulation and vapor barrier. Provide a UL label at each penetration.
- B . Non-Rated Partitions:
 - 1. At all interior partitions and exterior walls, pipe penetrations are required to be sealed. Apply sealant to both sides of the penetration in such a manner that the annular space between the pipe sleeve or cored opening and the pipe or insulation is completely blocked.
 - 2. Duct penetrations through non-rated partitions shall require sheet metal escutcheons with fiberglass or mineral wool insulation fill for spaces that include janitor closets, toilet rooms, mechanical rooms, conference rooms, private consultation rooms, and where noted on drawings elsewhere.

3.7 OWNER TRAINING

- A . All training provided for Owner shall comply with the format, general content requirements and submission guidelines specified.

END OF SECTION

INTENTIONALLY LEFT BLANK

SECTION 230513

COMMON MOTOR REQUIREMENTS FOR HVAC EQUIPMENT

PART 1 GENERAL

1.1 SCOPE

- A . This section includes requirements for single and three phase motors that are used with equipment specified in other sections. Included are the following topics:
1. PART 1 – GENERAL.
 - a. Scope.
 - b. Related Work.
 - c. Reference.
 - d. Reference Standards.
 - e. Quality Assurance.
 - f. Shop Drawings.
 - g. Operating and Maintenance Data.
 - h. Electrical Coordination.
 - i. Product Criteria.
 2. PART 2 – PRODUCTS.
 - a. Three Phase, Single Speed Motors.
 - b. Single Phase, Single Speed Motors.
 3. PART 3 – EXECUTION.
 - a. Installation.

1.2 RELATED WORK

- A . Division 26 - Electrical.

1.3 REFERENCE

- A . Applicable provisions of Division 1 govern work under this section.

1.4 REFERENCE STANDARDS

- A . ANSI/IEEE 112 Test Procedure for Polyphase Induction Motors and Generators.
B . ANSI/NEMA MG-1 Motors and Generators.
C . ANSI/NFPA 70 National Electrical Code.

1.5 QUALITY ASSURANCE

- A . Refer to applicable sections in Bidding Requirements and Division 1 - General Requirements.

1.6 SHOP DRAWINGS

- A . Include with the equipment which the motor drives the following motor information: Motor manufacturer, horsepower, voltage, phase, hertz, rpm, and full load efficiency. Include project wiring diagrams prepared by the contractor specifically for this work.

1.7 OPERATION AND MAINTENANCE DATA

- A . All operations and maintenance data shall comply with the submission and content requirements specified.

1.8 ELECTRICAL COORDINATION

- A . All starters, overload relay heater coils, disconnect switches and fuses, relays, wire, conduit, pushbuttons, pilot lights, and other devices required for the control of motors or electrical equipment are furnished and installed by the Electrical Contractor, except as specifically noted elsewhere in this division of specifications.

- B . Electrical drawings and/or specifications show number and horsepower rating of all motors furnished by this Contractor, together with their actuating devices if these devices are furnished by the Electrical Contractor. Should any discrepancy in size, horsepower rating, electrical characteristics or means of control be found for any motor or other electrical equipment after contracts are awarded, Contractor is to immediately notify the Architect/Engineer of such discrepancy. Costs involved in any changes required due to equipment substitutions initiated by this contractor will be the responsibility of this contractor. See related comments in Section 230500 - Common Work Results for HVAC, under Shop Drawings.
- C . Electrical Contractor will provide all power wiring and control wiring, except temperature control wiring.
- D . Furnish project specific wiring diagrams to Electrical Contractor for all equipment and devices furnished by this Contractor and indicated to be wired by the Electrical Contractor.

1.9 PRODUCT CRITERIA

- A . Motors to conform to all applicable requirements of NEMA, IEEE, ANSI, and NEC standards and shall be listed by U.L. for the service specified.
- B . Select motors for conditions in which they will be required to perform; i.e., general purpose, standard duty, high torque or any other special type as required by the equipment or motor manufacturer's recommendations.
- C . Furnish motors for starting in accordance with utility requirements and compatible with starters as specified.

PART 2 PRODUCTS

2.1 THREE PHASE, SINGLE SPEED MOTORS

- A . Use NEMA rated, three phase, 60 hertz motors for all motors 1/2 HP and larger unless specifically indicated.
- B . Use NEMA general purpose, continuous duty, Design B, normal starting torque, T-frame or U-frame motors with Class B or better insulation unless the manufacturer of the equipment on which the motor is being used has different requirements. Use open drip-proof motors unless totally enclosed fan-cooled motors are specified in the equipment sections.
- C . Use grease lubricated anti-friction ball bearings with housings equipped with plugged/capped provision for relubrication, rated for minimum AFBMA 9, L-10 life of 20,000 hours. Calculate bearing load with NEMA minimum V-belt pulley with belt center line at the end of NEMA standard shaft extension. Stamp bearing sizes on nameplate.
- D . All open drip-proof motors to have a 1.15 service factor. Other motor types may have minimum 1.0 service factors.
- E . All motors 1 HP and larger, except specially wound motors and inline pump motors 56 frame and smaller, to be high efficiency design with full load efficiencies which meet or exceed the values listed below when tested in accordance with NEMA MG 1.

FULL LOAD NOMINAL MOTOR EFFICIENCY BY MOTOR SIZE AND SPEED

| MOTOR HP | -----Open Drip-Proof Motors----- | | |
|-------------|----------------------------------|----------|----------|
| | -----Nominal Motor Speed----- | | |
| | 1200 rpm | 1800 rpm | 3600 rpm |
| 1 | 82.5 | 85.5 | 77.0 |
| 1-1/2 | 86.5 | 86.5 | 84.0 |
| 2 | 87.5 | 86.5 | 85.5 |
| 3 | 88.5 | 89.5 | 85.5 |
| 5 | 89.5 | 89.5 | 86.5 |
| 7-1/2 | 90.2 | 91.0 | 88.5 |

| MOTOR HP | ----Totally Enclosed Fan-Cooled---- | | |
|-------------|-------------------------------------|----------|----------|
| | -----Nominal Motor Speed----- | | |
| | 1200 rpm | 1800 rpm | 3600 rpm |
| 1 | 82.5 | 85.5 | 77.0 |
| 1-1/2 | 87.5 | 86.5 | 84.0 |
| 2 | 88.5 | 86.5 | 85.5 |
| 3 | 89.5 | 89.5 | 86.5 |
| 5 | 89.5 | 89.5 | 88.5 |
| 7-1/2 | 91.0 | 91.7 | 89.5 |

2.2 SINGLE PHASE, SINGLE SPEED MOTORS

- A . Use NEMA rated 115 volt, single phase, 60 hertz motors for all motors 1/3 HP and smaller.
- B . Use permanent split capacitor or capacitor start, induction run motors equipped with permanently lubricated and sealed ball or sleeve bearings and Class A insulation. Service factor to be not less than 1.35.

PART 3 EXECUTION

3.1 INSTALLATION

- A . Mount motors on a rigid base designed to accept a motor, using shims if required under each mounting foot to get a secure installation.
- B . When motor will be connected to the driven device by means of a belt drive, mount sheaves on the appropriate shafts in accordance with the manufacturer's instructions. Use a straight edge to check alignment of the sheaves; reposition sheaves as necessary so that the straight edge contacts both sheave faces squarely. After sheaves are aligned, loosen the adjustable motor base so that the belt(s) can be added and tighten the base so that the belt tension is in accordance with the drive manufacturer's recommendations. Frequently recheck belt tension and adjust if necessary during the first day of operation and again after 80 hours of operation.
- C . Verify the proper rotation of each three-phase motor as it is being wired or before the motor is energized for any reason.
- D . Lubricate all motors requiring lubrication. Record lubrication material used and the frequency of use. Include this information in the maintenance manuals.

END OF SECTION

INTENTIONALLY LEFT BLANK

SECTION 230548

VIBRATION AND SEISMIC CONTROLS FOR HVAC PIPING AND EQUIPMENT

PART 1 GENERAL

1.1 SCOPE

A . This section includes specifications for vibration isolation material for equipment, piping systems, and duct systems. Included are the following topics:

1. PART 1 – GENERAL.
 - a. Scope.
 - b. Related Work.
 - c. Reference.
 - d. Quality Assurance.
 - e. Design Criteria.
 - f. Shop Drawings.
2. PART 2 – PRODUCTS.
 - a. Materials.
 - b. Type 5: Spring Hanger with Neoprene.
3. PART 3 – EXECUTION.
 - a. Installation.

1.2 RELATED WORK

A . Section 233400 - HVAC Fans.

1.3 REFERENCE

A . Applicable provisions of Division 1 govern work under this section.

1.4 QUALITY ASSURANCE

A . Refer to applicable sections in Bidding Requirements and Division 1 - General Requirements.

1.5 DESIGN CRITERIA

A . Isolate all motor driven mechanical equipment from the building structure and from the systems which they serve to prevent equipment vibrations from being transmitted to the structure.

1.6 SHOP DRAWINGS

A . Include isolator type and materials of construction.

PART 2 PRODUCTS

2.1 MATERIALS

A . Use materials that will retain their isolation characteristics for the life of the equipment served. Use industrial grade neoprene for elastomeric materials.

2.2 TYPE 5: SPRING HANGER WITH NEOPRENE

A . Vibration hanger with a steel spring and 0.3" deflection neoprene element in series. Use neoprene element molded with a rod isolation bushing that passes through the hanger box. Select spring diameters and size hanger box lower holes large enough to permit the hanger rod to swing through a 30 degree arc before contacting the hole and short circuiting the spring. Select springs so they have a minimum additional travel to solid equal to 50% of the rated deflection.

SECTION 230593

TESTING, ADJUSTING, AND BALANCING FOR HVAC

PART 1 GENERAL

1.1 SCOPE

- A . This section includes air and water testing, adjusting and balancing for the entire project. Included are the following topics:
1. PART 1 – GENERAL.
 - a. Scope.
 - b. Related Work.
 - c. Reference.
 - d. Reference Standards.
 - e. Description.
 - f. Quality Assurance.
 - g. Submittals.
 2. PART 2 – PRODUCTS.
 - a. Instrumentation.
 3. PART 3 – EXECUTION.
 - a. Preliminary Procedures.
 - b. Performing Testing, Adjusting and Balancing.
 - c. Deficiencies.

1.2 RELATED WORK

- A . Section 230500 - Common Work Results for HVAC.
B . Section 230700 - HVAC Insulation.

1.3 REFERENCE

- A . Applicable provisions of the General Conditions, Supplementary General Conditions and General Requirements in Division 1 govern work under this section.

1.4 REFERENCE STANDARDS

- A . AABC National Standards for Total System Balance, Sixth Edition, 2002.
B . ASHRAE ASHRAE Handbook, 2007 HVAC Applications, Chapter 37, Testing Adjusting and Balancing.
C . NEBB Procedural Standards for Testing Adjusting Balancing of Environmental Systems, Seventh Edition, 2005.

1.5 DESCRIPTION

- A . The Contractor will separately contract with an independent test and balance agency to perform all testing, adjusting, and balancing of air systems required for this project. Work related to the testing, adjusting, and balancing that must be performed by the installing mechanical contractor is specified in other section of these specifications.
- B . Provide total mechanical systems testing, adjusting and balancing. Requirements include the balance of air distribution, adjustment of new and existing systems and equipment to provide design requirements indicated on the drawings, electrical measurement and verification of performance of all mechanical equipment, all in accordance with standards published by AABC or NEBB.
- C . Test, adjust and balance all air systems so that each room, piece of equipment or terminal device meets the design requirements indicated on the drawings and in the specifications.

- D . Accomplish testing, adjusting and balancing work in a timely manner that allows partial occupancy of major buildings, occupancy of one building when the project involves many buildings, and completion of the entire project in the time stated in the Instruction to Bidders and in accordance with the completion schedule established for this project.
- E . Verify that provisions are being made to accomplish the specified testing, adjusting and balancing work. If problems are found, handle as specified in Part 3 under Deficiencies.

1.6 QUALITY ASSURANCE

A . Qualifications:

1. An independent Firm specializing in the Testing and Balancing of HVAC systems for a minimum of 3 years. A Firm not engaged in the commerce of furnishing or providing equipment or material generally related to HVAC work other than specifically related to installing Testing and Balancing components necessary for work in this section such as, but not limited to sheaves, pulleys, and balancing dampers.
2. A certified member of AABC or certified by NEBB in the specific area of work performed. Maintain certification for the entire duration of the project. If certification of firm or any staff performing work is terminated or expires during the duration of the project, contact Owner immediately.
3. Technicians on this project must have satisfactorily completed work on a minimum of (3) three projects of at least 50% in size, and of similar complexity.
4. Submit Qualifications of firm and project staff to Owner upon requested.

1.7 SUBMITTALS

A . See Related Work in this section.

B . Submit testing, adjusting and balancing reports bearing the seal and signature of the NEBB or AABC Certified Test and Balance Supervisor. The reports certify that the systems have been tested, adjusted and balanced in accordance with the referenced standards; are an accurate representation of how the systems have been installed and are operating; and are an accurate record of all final quantities measured to establish normal operating values of the systems.

C . Submission:

1. Distribute electronic copies of the Report to the Contractor, the Lead Contractor, the Owner, and the Prime Architect/Engineer.

D . Enter a RFI, with a copy of the Testing and Balancing Report Summary as an upload, indicating that the Testing and Balancing Report is posted on the Overview page and requesting review of the report.

1. Format: Cover page identifying project name, project number and descriptive title of contents. Divide the contents of the report into the below listed divisions:
 - a. General Information.
 - b. Summary.
 - c. Air Systems.
2. Contents: Provide the following minimum information, forms and data:
 - a. General Information: Inside cover sheet identifying Test and Balance Agency, Contractor, Architect, Engineer, Project Name and Project Number. Include addresses, contact names and telephone numbers. Also include a certification sheet containing the seal and signature of the Test and Balance Supervisor.
 - b. Summary: Provide summary sheet describing mechanical system deficiencies. Describe objectionable noise or drafts found during testing, adjusting and balancing. Provide recommendations for correcting unsatisfactory performances and indicate whether modifications required are within the scope of the contract, are design related or installation related. List instrumentation used during testing, adjusting and balancing procedures.
 - c. The remainder of the report to contain the appropriate standard NEBB or AABC forms for each respective item and system. Fill out forms completely. Where information cannot be obtained or is not applicable indicate same.

PART 2 PRODUCTS

2.1 INSTRUMENTATION

- A . Provide all required instrumentation to obtain proper measurements. Application of instruments and accuracy of instruments and measurements to be in accordance with the requirements of NEBB or AABC Standards and instrument manufacturer's specifications.
- B . All instruments used for measurements shall be accurate, and calibration histories for each instrument to be available for examination by Owner upon request. Calibration and maintenance of all instruments to be in accordance with the requirements of NEBB or AABC Standards

PART 3 EXECUTION

3.1 PRELIMINARY PROCEDURES

- A . Review preconstruction meeting report, applicable construction bulletins, applicable change orders, and approved shop drawings of equipment, outlets/inlets and temperature controls.
- B . Check filters for cleanliness, dampers for correct positioning, equipment for proper rotation and belt tension, and temperature controls for completion.
- C . Notify Owner's Project Representative on a daily basis during balancing. Identify deficiencies preventing completion of testing, adjusting and balancing procedures. Do not proceed until systems are fully operational with all components necessary for complete testing, adjusting and balancing. Installing Contractors are required to provide personnel to check and verify system completion, readiness for balancing and assist Balancing Agency in providing specified system performance.

3.2 PERFORMING TESTING, ADJUSTING AND BALANCING

- A . Perform testing, adjusting and balancing procedures on each system identified, in accordance with the detailed procedures outlined in the referenced standards except as may be modified below.
- B . Unless specifically instructed in writing, all work in this specification section is to be performed during the normal workday.
- C . In areas containing ceilings, remove ceiling tile to accomplish balancing work; replace tile when work is complete and provide new tile for any tile that are damaged by this procedure. If the ceiling construction is such that access panels are required for the work of this section and the panels have not been provided, inform the Owner's Project Representative.
- D . Cut insulation for installation of test probes to the minimum extent necessary for adequate performance of procedures. Patch using materials identical to those removed, maintaining vapor barrier integrity and pressure rating of systems.
- E . In air systems employing filters, blank off sufficient filter area to simulate a pressure drop that is midway between that of a clean filter and that of a dirty filter.
- F . Measure and record system measurements at the fan to determine total flow. Adjust equipment as required to yield specified total flow at terminals. Proceed taking measurements in mains and branches as required for final terminal balancing. Perform terminal balancing to specified flows balancing branch dampers.
- G . Measure and record static air pressure conditions across fans, coils and filters. Indicate in report if cooling coil measurements were made on a wet or dry coil and if filter measurements were made on a clean or dirty filter. Spot check static air pressure conditions directly ahead of terminal units.
- H . Adjust outside air, return air and relief air dampers for design conditions at both the minimum and maximum settings and record both sets of data. Balance modulating dampers at extreme conditions and record both sets of data. Adjust register, grille and diffuser vanes and

accessories to achieve proper air distribution patterns and uniform space temperatures free from objectionable noise and drafts within the capabilities of the installed system.

- I . Provide fan and motor drive sheave adjustments necessary to obtain design performance. Provide drive changes specifically noted on drawings, if any. If work of this section indicates that any drive or motor is inadequate for the application, advise the Owner's Project Representative by giving the representative properly sized motor/drive information (in accordance with manufacturers original service factor and installed motor horsepower requirements); Confirm any change will keep the duct/piping system within its design limitations with respect to speed of the device and pressure classification of the distribution system. Required motor/drive changes not specifically noted on drawings or in specifications will be considered an extra cost and will require an itemized cost breakdown submitted to Owner's Project Representative. Prior authorization is needed before this work is started.
- J . Final air system measurements to be within the following range of specified cfm:
 - 1. Fans 0% to +10%.
 - 2. Supply grilles, registers, diffusers 0% to +10%.
 - 3. Return/exhaust grilles, registers 0% to -10%.
- K . Contact the Temperature Control Contractor for assistance in operation and adjustment of controls during testing, adjusting and balancing procedures. Cycle controls and verify proper operation and setpoints. Include in report description of temperature control operation and any deficiencies found.
- L . Permanently mark equipment settings, including damper positions, control settings, and similar devices allowing settings to be restored. Set and lock memory stops.
- M . Leave systems in proper working order, replacing belt guards, closing access doors and electrical boxes, and restoring temperature controls to normal operating settings.
- N . Coordinate furnace and rooftop unit minimum outside air set points with the Temperature Control Contractor.

3.3 DEFICIENCIES

- A . Mechanical Contractor to correct any installation deficiencies found by the test and balance agency that were specified and/or shown on the Contract Documents to be performed as part of that division of work. Test and balance agency will notify the Owner's Project Representative of these items and instructions will be issued to the Mechanical Contractor for correction of the deficient work. All corrective work to be done at no cost to the Owner. Retest mechanical systems, equipment, and devices once corrective work is complete as specified.

END OF SECTION

SECTION 230700

HVAC INSULATION

PART 1 GENERAL

1.1 SCOPE

- A . This section includes insulation specifications for heating, ventilating and air conditioning piping, ductwork and equipment. Included are the following topics:
 - 1. PART 1 – GENERAL.
 - a. Scope.
 - b. Related Work.
 - c. Reference.
 - d. Reference Standards.
 - e. Quality Assurance.
 - f. Description.
 - g. Definitions.
 - h. Shop Drawings.
 - i. Operation and Maintenance Data.
 - j. Environmental Requirements.
 - 2. PART 2 – PRODUCTS.
 - a. Materials.
 - b. Insulation Types.
 - c. Jackets.
 - d. Accessories.
 - 3. PART 3 – EXECUTION.
 - a. Examination.
 - b. Installation.
 - c. Duct Insulation.

1.2 RELATED WORK

- A . Section 230500 - Common Work Results for HVAC.
- B . Section 233100 - HVAC Ducts and Casings.

1.3 REFERENCE

- A . Applicable provisions of Division 1 govern work under this section.

1.4 REFERENCE STANDARDS

- A . ASTM B209 Aluminum and Aluminum Alloy Sheet and Plate.
- B . ASTM C165 Test Method for Compressive Properties of Thermal Insulations.
- C . ASTM C177 Heat Flux and Thermal Transmission Properties.
- D . ASTM C355 Test Methods for Test for Water Vapor Transmission of Thick Materials.
- E . ASTM C518 Heat Flux and Thermal Transmission Properties.
- F . ASTM C921 Properties of Jacketing Materials for Thermal Insulation.
- G . ASTM C1136 Flexible Low Permeance Vapor Retarders for Thermal Insulation.
- H . ASTM D1000 Methods for Pressure-Sensitive Adhesive-Coated Tapes Used for Electrical and Electronic Applications.
- I . ASTM E84 Surface Burning Characteristics of Building Materials.
- J . ASTM E814 Standard Test Method for Fire Tests of Penetration Firestop Systems.

- K . MICA National Commercial & Industrial Insulation Standards.
- L . NFPA 225 Surface Burning Characteristics of Building Materials.
- M . UL 723 Surface Burning Characteristics of Building Materials.

1.5 QUALITY ASSURANCE

- A . Refer to applicable sections in Bidding Requirements and Division 1 - General Requirements.
- B . Label all insulating products delivered to the construction site with the manufacturer's name and description of materials.
- C . Insulation systems shall be applied by experienced contractors. Within the past five (5) years, the Contractor shall be able to document the successful completion of a minimum of three (3) projects of at least 50% of the size and similar scope of the work specified in this section.

1.6 DESCRIPTION

- A . Furnish and install all insulating materials and accessories as specified or as required for a complete installation. The following types of insulation are specified in this section:
 - 1. Duct Insulation.
- B . Install all insulation in accordance with the latest edition of MICA (Midwest Insulation Contractors Association) Standard and manufacturer's installation instructions. Exceptions to these standards will only be accepted where specifically modified in these specifications, or where prior written approval has been obtained from the Owner Project Representative.

1.7 DEFINITIONS

- A . Concealed: Shafts, furred spaces, space above finished ceilings, utility tunnels and crawl spaces. All other areas, including walk-through tunnels, shall be considered as exposed.

1.8 SHOP DRAWINGS

- A . Submit a schedule of all insulating materials to be used on the project, including adhesives, fastening methods, fitting materials along with material safety data sheets and intended use of each material. Include manufacturer's technical data sheets indicating density, thermal characteristics, jacket type, and manufacturer's installation instructions.

1.9 OPERATION AND MAINTENANCE DATA

- A . All operations and maintenance data shall comply with the submission and content requirements specified.

1.10 ENVIRONMENTAL REQUIREMENTS

- A . Do not store insulation materials on grade or where they are at risk of becoming wet. Do not install insulation products that have been exposed to water.
- B . Protect installed insulation work with plastic sheeting to prevent water damage.

PART 2 PRODUCTS

2.1 MATERIALS

- A . Manufacturers:
 - 1. Armacell: www.armacell.com.
 - 2. Certainteed: www.certainteed.com.
 - 3. Johns Manville: www.johnsmanville.com.
 - 4. Knauf: www.knaufusa.com.
 - 5. Owens-Corning: www.insulation.owens-corning.com.
 - 6. VentureTape: www.venturetape.com.

- B . Materials or accessories containing asbestos will not be accepted.

2.2 INSULATION TYPES

- A . Insulating materials shall be fire retardant, moisture and mildew resistant, and vermin proof. Insulation shall be suitable to receive jackets, adhesives and coatings as indicated.
- B . Flexible Fiberglass Insulation:
 - 1. Minimum nominal density of 0.75 lbs. per cu. ft., and thermal conductivity of not more than 0.3 at 75 degrees F, rated for service to 250 degrees F.
- C . Rigid Fiberglass Insulation:
 - 1. Minimum nominal density of 3 lbs. per cu. ft., and thermal conductivity of not more than 0.23 at 75 degrees F, minimum compressive strength of 25 PSF at 10% deformation, rated for service to 450 degrees F.
- D . Foil-scrim-polyethylene vapor barrier jacket, factory applied to insulation, maximum permeance of .02 perms.

2.3 JACKETS

- A . Foil Scrim All Service Jackets (FSJ):
 - 1. Glass fiber reinforced foil kraft laminate, factory applied to insulation. Maximum permeance of .02 perms and minimum beach puncture resistance of 25 units.

2.4 ACCESSORIES

- A . All products shall be compatible with surfaces and materials on which they are applied, and be suitable for use at operating temperatures of the systems to which they are applied.
- B . Adhesives, sealants, and protective finishes shall be as recommended by insulation manufacturer for applications specified.
- C . Insulation bands to be 3/4 inch wide, constructed of aluminum or stainless steel. Minimum thickness to be .015 inch for aluminum and .010 inch for stainless steel.
- D . Tack fasteners to be stainless steel ring grooved shank tacks.
- E . Staples to be clinch style.
- F . Insulating cement to be ANSI/ASTM C195, hydraulic setting mineral wool.
- G . Finishing cement to be ASTM C449.
- H . Bedding compounds to be non-shrinking and permanently flexible.
- I . Vapor barrier coatings to have maximum applied water vapor permeance of .05 perms.
- J . Fungicidal water base coating (Foster 40-20 or equal) to be compatible with vapor barrier coating.

PART 3 EXECUTION

3.1 EXAMINATION

- A . Verify that all piping, equipment, and ductwork are tested and approved prior to installing insulation. Do not insulate systems until testing and inspection procedures are completed.
- B . Verify that all surfaces are clean, dry and without foreign material before applying insulation materials.

3.2 INSTALLATION

- A . All materials shall be installed by skilled labor regularly engaged in this type of work. All materials shall be installed in strict accordance with manufacturer's recommendations, building codes, and industry standards. Do not install products when the ambient

temperature or conditions are not consistent with the manufacturer's recommendations. Surfaces to be insulated must be clean and dry.

- B . Locate insulation and cover seams in the least visible location. All surface finishes shall be extended in such a manner as to protect all raw edges, ends and surfaces of insulation.
- C . Install insulation with smooth and even surfaces. Poorly fitted joints or use of filler in voids will not be accepted. Provide neatly beveled and coated terminations at all nameplates, uninsulated fittings, or at other locations where insulation terminates.
- D . Use full length material (as delivered from manufacturer) wherever possible. Scrap piecing of insulation or pieces cut undersize and stretched to fit will not be accepted.
- E . All duct insulation shall be continuous through walls, ceiling or floor openings and through sleeves except where firestop or firesafing materials are required. Vapor barriers shall be maintained continuous through all penetrations.
- F . Provide a continuous unbroken moisture vapor barrier on insulation applied to systems noted below. Attachments to cold surfaces shall be insulated and vapor sealed to prevent condensation.
- G . Provide a complete vapor barrier for insulation on the following systems:
 - 1. Insulated Duct.
 - 2. Equipment, ductwork or piping with a surface temperature below 65 degrees F.

3.3 DUCT INSULATION

- A . General:
 - 1. Secure flexible duct insulation on sides and bottom of ductwork over 24" wide and all rigid duct insulation with weld pins. Space fasteners 18" on center or less as required to prevent sagging.
 - 2. Secure rigid board insulation to ductwork with weld pins. Apply insulation with joints firmly butted as close as possible to the equipment surface. Pins shall be located a maximum of 3" from each edge and spaced no greater than 12" on center.
 - 3. Install weld pins without damage to the interior galvanized surface of the duct. Clip pins back to washer and cover penetrations with tape of same material as jacket. Firmly butt seams and joints and cover with 4" tape of same material as jacket. Seal tape with plastic applicator and secure with staples. All joints, seams, edges and penetrations to be fully vapor sealed.
 - 4. Stop and point insulation around access doors and damper operators to allow operation without disturbing insulation or jacket material.
 - 5. External supply duct insulation is not required where ductwork contains continuous 1" acoustical liner. Provide 4" overlap of external insulation over ends of acoustically lined sections.
 - 6. Where insulated ductwork is supported by trapeze hangers, the insulation shall be installed continuous through the hangers. Drop the supporting channels required to facilitate the installation of the insulation. Where rigid board or flexible insulation is specified, install high density inserts to prevent the weight of the ductwork from crushing the insulation.

END OF SECTION

SECTION 233100

HVAC DUCTS AND CASINGS

PART 1 GENERAL

1.1 SCOPE

- A . This section includes specifications for all duct systems used on this project. Included are the following topics:
1. PART 1 – GENERAL.
 - a. Scope.
 - b. Related Work.
 - c. Reference.
 - d. Reference Standards.
 - e. Shop Drawings.
 - f. Design Criteria.
 - g. Delivery, Storage and Handling.
 2. PART 2 – PRODUCTS.
 - a. General.
 - b. Duct Pressure Class.
 - c. Materials.
 - d. Low Pressure Ductwork (Maximum 2 inch pressure class).
 - e. Duct Sealant.
 - f. Gaskets.
 3. PART 3 – EXECUTION.
 - a. Installation.
 - b. Ductwork Support.
 - c. Low Pressure Duct (Maximum 2 inch pressure class).
 - d. Cleaning.

1.2 RELATED WORK

- A . Section 230593 - Testing, Adjusting, and Balancing for HVAC.
B . Section 233300 - Air Duct Accessories.

1.3 REFERENCE

- A . Applicable provisions of Division 1 govern work under this Section.

1.4 REFERENCE STANDARDS

- | | |
|-----------------|---|
| A . ASTM A90 | Test Method for Weight of Coating on Zinc-Coated (Galvanized) Iron or Steel Articles. |
| B . ASTM A623 | Standard Specification for Steel Sheet, Zinc-Coated (Galvanized) by the Hot-Dip Process. |
| C . ASTM A527 | Specification for General Requirements for Steel Sheet, Zinc- Coated (Galvanized) by the Hot-Dip Process, Lock-Forming Quality. |
| D . ASTM 924 | Standard Specification for General Requirements for Sheet Steel, Metallic-coated by the Hot-dip Method. |
| E . ASTM C 1071 | Specification for Fibrous Glass Duct Lining Insulation. |
| F . ASTM E 84 | Test Method for Surface Burning Characteristics of Building Materials. |
| G . ASTM C 1338 | Test Method for Determining Fungal Resistance of Insulation Materials and Facings. |
| H . ASTM C 916 | Standard Specification for Adhesives for Duct Thermal Insulation |

NFPA 90A Standard for the Installation of Air Conditioning and Ventilating Systems.

I . UL 181 Standard for Safety for Factory Made Air Ducts and Air Connectors.

J . NAIMA Fibrous Glass Duct Liner Standard.

1.5 SHOP DRAWINGS

A . Include manufacturer's data and/or Contractor data for the following:

1. Duct sealant and gasket material.
2. Duct liner including data on thermal conductivity, air friction correction factor, and limitation on temperature and velocity.

1.6 DESIGN CRITERIA

A . Construct all ductwork to be free from vibration, chatter, objectionable pulsations and leakage under specified operating conditions.

B . Use material, weight, thickness, gauge, construction and installation methods as outlined in the following SMACNA publications, unless noted otherwise:

1. HVAC Duct Construction Standards, Metal and Flexible, 3rd Edition, 2005.
2. HVAC Air Duct Leakage Test Manual, 1st Edition, 1985.
3. HVAC Systems - Duct Design, 4th Edition, 2006.
4. Rectangular Industrial Duct Construction Standard, 2nd Edition, 2004.
5. Round Industrial Duct Construction Standards, 2nd Edition, 1999.

C . Use products which conform to NFPA 90A, possessing a flame spread rating of not over 25 and a smoke developed rating no higher than 50.

1.7 DELIVERY, STORAGE AND HANDLING

A . Promptly inspect shipments to ensure that Ductwork is undamaged and complies with the specification.

B . Protect Ductwork against damage.

C . Protect Ductwork by storing inside or by durable, waterproof, above ground packaging. Do not store material on grade. Protect Ductwork from dirt, dust, construction debris and foreign material. Where end caps/packaging are provided, take precautions so caps/packaging remain in place and free from damage.

D . Offsite storage agreements do not relieve the contractor from using proper storage techniques.

E . Storage and protection methods must allow inspection to verify products.

PART 2 PRODUCTS

2.1 GENERAL

A . All sheet metal used for construction of duct shall be 24 gauge or heavier except for round and spiral ductwork and spiral duct take-offs 12" and below may be 26 gauge where allowed in SMACNA HVAC Duct Construction Standards, Metal and Flexible, 3rd Edition, 2005.

B . Duct sizes indicated on plans are net inside dimensions; where duct liner is specified, dimensions are net, inside of liner.

2.2 DUCTWORK PRESSURE CLASS

A . Minimum acceptable duct pressure class, for all ductwork except transfer ductwork, is 2 inch W.G. positive or negative, depending on the application. Transfer ductwork minimum acceptable duct pressure class is 1 inch W.G. positive or negative, depending on the application.

2.3 MATERIALS

A . Galvanized Steel Sheet:

1. Use ASTM A 653 galvanized steel sheet of lock forming quality. Galvanized coating to be 1.25 ounces per square foot, both sides of sheet, G90 in accordance with ASTM A90. Provide "Paint Grip" finish for ductwork that will be painted.

2.4 LOW PRESSURE DUCTWORK (MAXIMUM 2 INCH PRESSURE CLASS)

- A . Fabricate and install ductwork in sizes indicated on the drawings and in accordance with SMACNA recommendations, except as modified below.
- B . Construct so that all interior surfaces are smooth. Use slip and drive or flanged and bolted construction when fabricating rectangular ductwork. Use spiral lock seam construction when fabricating round spiral ductwork. Sheet metal screws may be used on duct hangers, transverse joints and other SMACNA approved locations if the screw does not extend more than 1/2 inch into the duct.
- C . Use elbows and tees with a center line radius to width or diameter ratio of 1.5 wherever space permits. When a shorter radius must be used due to limited space, install single wall sheet metal splitter vanes in accordance with SMACNA publications, Type RE 3. Where space will not allow and the C value of the radius elbow, as given in SMACNA publications, exceeds 0.31, use rectangular elbows with turning vanes as specified in Section 233300. Square throat-radius heel elbows will not be acceptable. Straight taps or bullhead tees are not acceptable.
- D . Where rectangular elbows are used, provide turning vanes in accordance with Section 233300.
- E . Provide expanded take-offs or 45 degree entry fittings for branch duct connections with branch ductwork airflow velocities greater than 700 fpm. Square edge 90-degree take-off fittings or straight taps will not be accepted.
- F . Button punch snaplock construction will not be accepted on aluminum ductwork.
- G . Round ducts may be substituted for rectangular ducts if sized in accordance with ASHRAE table of equivalent rectangular and round ducts. No variation of duct configuration or sizes permitted except by written permission of the Architect/Engineer. All uninsulated exposed round duct shall be spiral type.
- H . Increase duct sizes gradually, not exceeding 15 degrees divergence wherever possible. Divergence upstream of equipment shall not exceed 30 degrees; convergence downstream shall not exceed 45 degrees.

2.5 DUCT SEALANT

A . Manufacturer:

1. 3M 800: www.3m.com.
2. 3M 900: www.3m.com.
3. H.B. Fuller/Foster: www.hbfuller.com.
4. Lockformer Cold Sealant: www.lockformer.com.
5. Mon-Eco Industries: www.mon-ecoindustries.com.
6. United Sheet Metal: www.unitedsheetmetal.com.

B . Silicone sealants are not allowed in any type of ductwork installation.

- C . Install sealants in strict accordance with manufacturer's recommendations, paying special attention to temperature limitations. Allow sealant to fully cure before pressure testing of ductwork, or before startup of air handling systems.

2.6 GASKETS

A . 2 inch pressure class and lower:

1. Soft neoprene or butyl gaskets in combination with duct sealant for flanged joints.

PART 3 EXECUTION

3.1 INSTALLATION

- A . Verify dimensions at the site, making field measurements and drawings necessary for fabrication and erection. Check plans showing work of other trades and consult with Architect in the event of any interference.
- B . Make allowances for beams, pipes or other obstructions in building construction and for work of other Contractors. Transform, divide or offset ducts as required, in accordance with SMACNA HVAC Duct Construction Standards, Figure 4-7, except do not reduce duct to less than six inches in any dimension and do not exceed an 8:1 aspect ratio. Where it is necessary to take pipes or similar obstructions through ducts, construct easement as indicated in SMACNA HVAC Duct Construction Standards, Figure 4-8, Fig. E. In all cases, seal to prevent air leakage. Pipes or similar obstructions may not pass through high pressure or fume exhaust ductwork.
- C . Test openings for test and balance work will be provided under Section 230593.
- D . Provide frames constructed of angles or channels for coils, filters, dampers or other devices installed in duct systems, and make all connections to such equipment including equipment furnished by others. Secure frames with gaskets and screws or nut, bolts and washers.
- E . Install duct to pitch toward outside air intakes and drain to outside of building. Solder or seal seams to form watertight joints.
- F . Install all motor operated dampers and connect to or install all equipment furnished by others. Blank off all unused portions of louvers, as indicated on the drawings, with 1-1/2 inch board insulation with galvanized sheet metal backing on both sides.
- G . Do not install ductwork through dedicated electrical rooms or spaces unless the ductwork is serving this room or space.
- H . Locate ducts with sufficient space around equipment to allow normal operating and maintenance activities.
- I . Provide adequate access to ductwork for cleaning purposes.
- J . Provide temporary capping of ductwork openings to prevent entry of dirt, dust and foreign material.
- K . Protect diffusers, registers and grilles with plastic wrap or some other approved form of protection to maintain dirt and dust free and to prevent entry of dirt, dust and foreign material into the Ductwork.
- L . During construction provide temporary closures of metal or taped polyethylene on open ductwork to prevent construction dust from entering ductwork system.

3.2 DUCTWORK SUPPORT

- A . Support ductwork in accordance with SMACNA HVAC Duct Construction Standards, Figure 5-5, except supporting ductwork with secure wire method is not allowed.
- B . Support with 3/32 inch, 7 x 7, stainless steel air-craft cable, with matching fastener rated for 50% of actual load, will be allowed on round ductwork under 12 inches if installed as detailed, with cable double looped on duct and at point of support.

3.3 LOW PRESSURE DUCT (MAXIMUM 2 INCH PRESSURE CLASS)

- A . Seal all duct, with the exception of transfer ducts, in accordance with SMACNA seal class "A"; all seams, joints, and penetrations shall be sealed.
- B . Install a manual balancing damper in each branch duct and for each diffuser or grille. The use of splitter dampers, extractors, or grille face dampers will not be accepted for balancing dampers.

C . Hangers must be wrapped around bottom edge of duct and securely fastened to duct with sheet metal screws or pop rivets. Trapeze hangers may be used at Contractor's option.

3.4 CLEANING

A . Remove all dirt and foreign matter from the entire duct system and clean diffusers, registers, grilles and the inside of air-handling units before operating fans.

B . Clean duct systems with high power vacuum machines where systems have been used for temporary heat, air-conditioning, or ventilation purposes during construction. Protect equipment that may be harmed by excessive dirt with filters, or bypass during cleaning.

END OF SECTION

INTENTIONALLY LEFT BLANK

SECTION 233300

AIR DUCT ACCESSORIES

PART 1 GENERAL

1.1 SCOPE

- A . This section includes accessories used in the installation of duct systems. Included are the following topics:
1. PART 1 – GENERAL.
 - a. Related Work.
 - b. Reference.
 - c. Reference Standards.
 - d. Shop Drawings.
 - e. Operation and Maintenance Data.
 2. PART 2 – PRODUCTS.
 - a. Manual Volume Dampers.
 - b. Turning Vanes.
 - c. Control Dampers.
 - d. Smoke Detectors.
 - e. Access Doors.
 - f. Flexible Duct.
 - g. Duct Lining.
 - h. Duct Flexible Connections.
 - i. Hoods for Intake and Exhaust.
 3. PART 3 – EXECUTION.
 - a. Manual Volume Dampers.
 - b. Turning Vanes.
 - c. Control Dampers.
 - d. Smoke Detectors.
 - e. Access Doors.
 - f. Flexible Duct.
 - g. Duct Lining.
 - h. Duct Flexible Connections.
 - i. Hoods for Intake and Exhaust.

1.2 RELATED WORK

- A . Section 230548 - Vibration and Seismic Controls for HVAC Piping and Equipment.
B . Section 233100 - HVAC Ducts and Casings.

1.3 REFERENCE

- A . Applicable provisions of Division 1 govern work under this Section.

1.4 REFERENCE STANDARDS

- A . NFPA 90A Standard for Installation of Air Conditioning and Ventilating Systems.
B . SMACNA HVAC Duct Construction Standards - Metal and Flexible, 2nd Edition, 1995.
UL 214.
C . UL 555 (6th edition) Standard for Fire Dampers and Ceiling Dampers.

1.5 SHOP DRAWINGS

- A . Submit for all accessories and include dimensions, capacities, ratings, installation instructions, and appropriate identification.

- B . Include certified test data on dynamic insertion loss, self-noise power levels, and aerodynamic performance of sound attenuators.
- C . Submit manufacturer's color charts where finish color is specified to be selected by the Engineer.

1.6 OPERATION AND MAINTENANCE DATA

- A . All operations and maintenance data shall comply with the submission and content requirements specified.

PART 2 PRODUCTS

2.1 MANUAL VOLUME DAMPERS

- A . Manufacturers:
 1. Ruskin: www.ruskin.com.
 2. Vent Products: www.ventproducts.com.
 3. Air Balance: www.airbalance.com.
- B . Dampers must be constructed in accordance with SMACNA Fig. 2-12, Fig. 2-13, and notes relating to these figures, except as modified below.
- C . Reinforce all blades to prevent vibration, flutter, or other noise. Construct dampers in multiple sections with mullions where width is over 48 inches. Use rivets or tack welds to secure individual components; sheet metal screws will not be accepted. Provide operators with locking devices and damper position indicators for each damper; use an elevated platform on insulated ducts. Provide end bearings or bushings for all volume damper rods penetrating ductwork constructed to a 3" w.c. pressure class or above.

2.2 TURNING VANES

- A . Manufacturers:
 1. Aero Dyne: www.aero-dyne.net.
 2. Anemostat: www.anemostat.com.
 3. Hart & Cooley: www.hartandcooley.com.
- B . Construct turning vanes and runners for square elbows in accordance with SMACNA Fig. 2-3 and Fig. 2-4 except use only airfoil type vanes. Construct turning vanes for short radius elbows and elbows where one dimension changes in the turn in accordance with SMACNA Fig. 2-5 and Fig. 2-6.

2.3 CONTROL DAMPERS

- A . Control dampers are integral to the packaged rooftop units and exhaust fans. New dampers for Furnace outside air control shall be provided and installed by the Mechanical Contractor. Wiring for dampers shall be by the Mechanical Contractor.

2.4 SMOKE DETECTORS

- A . Smoke detectors are furnished and installed by the Electrical Contractor.

2.5 ACCESS DOORS

- A . Access door to be designed and constructed for the pressure class of the duct in which the door is to be installed. Doors in exposed areas shall be hinged type with cam sash lock. Hinges shall be steel full length continuous piano type. Doors in concealed spaces may be secured in place with cam sash latches. For both hinged and non-hinged doors provide sufficient number of cam sash latches to provide air tight seal when door is closed. Do not use hinged doors in concealed spaces if this will restrict access. Use minimum 1" deep 24 gauge galvanized steel double wall access doors with minimum 24 gauge galvanized steel frames. For non-galvanized ductwork, use minimum 1" deep double wall access door with frame that shall use materials of construction identical to adjacent ductwork. Provide double neoprene gasket that shall provide seals from the frame to the door and frame to the duct. When access doors are installed in

insulated ductwork or equipment provide insulated doors with insulation equivalent to what is provided for adjacent ductwork or equipment. Access doors constructed with sheet metal screw fasteners will not be accepted.

2.6 FLEXIBLE DUCT

- A . Manufacturers:
 - 1. Anco Products: www.ancoproductsinc.com.
 - 2. Clevaflex: www.clevaflex.com.
 - 3. Thermafex: www.thermafex.net.
 - 4. Flexmaster: www.flexmasterusa.com.
- B . Factory fabricated , UL 181 listed as a class 1 duct, and having a flame spread of 25 or less and smoke developed rating of 50 or under in accordance with NFPA 90A.
- C . Suitable for pressures and temperatures involved but not less than a 180°F service temperature and ±2 inch pressure class, depending on the application.
- D . Duct to be composed of polyester film, aluminum laminate or woven and coated fiberglass fabric bonded permanently to corrosion resistant coated steel wire helix. Two-ply, laminated, and corrugated aluminum construction may also be used.
- E . Where duct is specified to be insulated, provide a minimum 1 inch fiberglass insulation blanket with maximum thermal conductance of 0.23 K (75 degrees F.) and vapor barrier jacket of polyethylene or metalized reinforced film laminate. Maximum perm rating of vapor barrier jacket to be 0.1 perm.

2.7 DUCT LINING

- A . Manufacturer:
 - 1. Manville: www.jm.com.
 - 2. Owens-Corning: www.owenscorning.com.
 - 3. Knauf: www.knaufusa.com.
- B . 1 inch thick, flexible, mat faced insulation made from inorganic glass fibers bonded with a thermosetting resin with thermal conductivity of .25 Btu inch / hour sq.ft. deg F.
- C . Meet erosion testing per UL 181 or ASTM C 1071 for 5000 fpm maximum air velocity. ASTM C 411 maximum operating temperature rating of 250 deg F. ASTM E84 flame spread less than 25 and smoke developed less than 50.
- D . Meet requirements of ASTM C 1338 and ASTM G21 for fungi resistance.
- E . Install liner using adhesive conforming to ASTM C 916.

2.8 DUCT FLEXIBLE CONNECTIONS

- A . Material to be fire retardant, be UL 214 listed, and meet the requirements of NFPA 90A.
- B . Connections to be a minimum of 3 inches wide, crimped into metal edging strip, and air tight. Connections to have adequate flexibility and width to allow for thermal expansion/contraction, vibration of connected equipment, and other movement.
- C . Use coated glass fiber fabric for all applications. Material for inside applications to be double coated with neoprene, air and water tight, suitable for temperatures between -10°F and 200°F, and have a nominal weight of 30 ounces per square yard.

2.9 HOODS FOR INTAKE AND EXHAUST

- A . Manufacturers:
 - 1. Acme: www.acmefan.com.
 - 2. Carnes: www.carnes.com.
 - 3. Cook: www.lorencook.com.
 - 4. Greenheck: www.greenheck.com.

5. Louvers and Dampers: www.louvers-dampers.com.
6. Penn: www.pennstateind.com.
7. Substitutions: Refer to applicable sections in Bidding Requirements and Division 1 - General Requirements.

- B. Use low silhouette type hoods.
- C. Use louvered penthouse type hoods with drainable blade louvers.
- D. Construct hoods of aluminum.
- E. Construct hoods of galvanized steel with baked enamel finish; color to be selected by the Architect during the submittal stage.

For hoods and louvered penthouses maintain minimum 30 inches from bottom of air intake to finished roof.

- F. Provide bird screen and motor operated damper for each hood.

PART 3 EXECUTION

3.1 MANUAL VOLUME DAMPERS

- A. Install manual volume dampers in each branch duct and for each grille, register, or diffuser as far away from the outlet as possible while still maintaining accessibility to the damper. Install so there is no flutter or vibration of the damper blade(s).

3.2 TURNING VANES

- A. Install turning vanes in all rectangular, mitered elbows in accordance with SMACNA standards and/or manufacturer's recommendations.
- B. Install double wall, airfoil, 2 inch radius vanes in ducts with vane runner length 18" or greater and air velocity less than 2000 fpm. Install double wall, airfoil, 4-1/2 inch radius vanes in ducts with vane runner length 18" or greater and air velocity 2000 fpm or greater.
- C. If duct size changes in a mitered elbow, use single wall type vanes with a trailing edge extension. If duct size changes in a radius elbow or if short radius elbows must be used, install sheetmetal turning vanes in accordance with SMACNA Figure 2-5 and Figure 2-6.

3.3 CONTROL DAMPERS

- A. Install dampers in locations indicated on the drawings, as detailed, and according to the manufacturer's instructions. Install blank-off plates or transitions where required for proper mixing of airstreams in mixing plenums. Provide adequate operating clearance and access to the operator. Install an access door adjacent to each control damper for inspection and maintenance.

3.4 SMOKE DETECTORS

- A. Installation and wiring of detectors will be by the Electrical Contractor. Install an access door at each detector location.

3.5 ACCESS DOORS

- A. Install access doors where specified, indicated on the drawings, and in locations where maintenance, service, cleaning or inspection is required. Examples include, but are not limited to motorized dampers, fire dampers, smoke detectors, fan bearings, heating and cooling coils, filters, and control devices needing periodic maintenance.
- B. Size and numbers of duct access doors to be sufficient to perform the intended service. Minimum access door size shall be 8 x 8 inch size for hand access, 18 x 18 inch size for shoulder access, or other size as indicated.

3.6 FLEXIBLE DUCT

- A . Flexible duct may only be used for final connections of air outlets at diffuser, register, and grille locations. Where flexible duct is used, it shall be the minimum length required to make the final connections, but no greater than 5 feet in length, and have no more than one (1) 90 degree bend.
- B . Secure inner jacket of flexible duct in place with stainless steel metal band clamp. Secure insulation vapor barrier jacket in place with steel or nylon draw band. Sheetmetal screws and/or duct tape will not be accepted.
- C . Flexible duct used to compensate for misalignment of main duct or branch duct will not be accepted.
- D . Individual sections of flexible ductwork shall be of one piece construction. Splicing of short sections will not be accepted.
- E . Flexible ductwork used as transfer duct shall be sized for a maximum velocity of 300 fpm.
- F . Penetration of any partition, wall, or floor with flexible duct will not be accepted.

3.7 DUCT LINING

- A . Do not apply lining to the following ductwork:
 - 1. Outside air ductwork.
- B . Install liner in compliance with the latest edition of NAIMA's Fibrous Glass Duct Liner Standard. Locate longitudinal joints at the corners of duct only. Cut and fit to assure lapped, compressed joints. Coat all transverse and longitudinal joints and edges with adhesive. Provide metal nosing on leading edge where lined duct is preceded by unlined duct. Adhere liner to duct with full coverage area of adhesive. Additionally, secure liner to duct using mechanical fasteners spaced as recommended by the liner manufacturer without compressing liner more than 1/8" with the fasteners.

3.8 DUCT FLEXIBLE CONNECTIONS

- A . Install at all duct connections to rotating or vibrating equipment, including air handling units (unless unit is internally isolated), fans, or other motorized equipment in accordance with SMACNA Figure 2-19. Install thrust restraints to prevent excess strain on duct flexible connections at fan inlets and outlets; see Related Work.

3.9 HOODS FOR INTAKE AND EXHAUST

- A . Install in locations indicated on the drawings, coordinating the roof opening location with the General Contractor.

END OF SECTION

INTENTIONALLY LEFT BLANK

SECTION 233713

DIFFUSERS, REGISTERS AND GRILLES

PART 1 GENERAL

1.1 SCOPE

- A. This section includes specifications for air terminal equipment. Included are the following topics:
 - 1. PART 1 – GENERAL.
 - a. Scope.
 - b. Related Work.
 - c. Reference.
 - d. Reference Standards.
 - e. Submittals.
 - f. Design Criteria.
 - 2. PART 2 – PRODUCTS.
 - a. Manufacturers.
 - b. Square Ceiling Diffusers - High Performance.
 - c. Eggcrate Grille.
 - 3. PART 3 – EXECUTION.
 - a. Installation.

1.2 RELATED WORK

- A. Section 230593 - Testing, Adjusting and Balancing for HVAC.
- B. Section 233100 - HVAC Ducts and Casings.
- C. Section 233300 - Air Duct Accessories.

1.3 REFERENCE

- A. Applicable provisions of Division 1 govern work under this section.

1.4 REFERENCE STANDARDS

- A. NFPA 90A - Installation of Air Conditioning and Ventilation Systems.
- B. UL 181 - Factory-Made Air Ducts and Connectors.
- C. ARI-ADC Standard 880.

1.5 SUBMITTALS

- A. Furnish submittal information including, but not limited to, the following:
 - 1. Manufacturer's name and model number.
 - 2. Identification as referenced in the documents.
 - 3. Capacities/ratings.
 - 4. Materials of construction.
 - 5. Sound ratings.
 - 6. Dimensions.
 - 7. Finish.
 - 8. Color selection charts where applicable.
 - 9. Manufacturer's installation instructions.
 - 10. All other appropriate data.

1.6 DESIGN CRITERIA

- A. All performance data shall be based on tests conducted in accordance with Air Diffusion Council (ADC) Test Code 1062 GRD 84.

PART 2 PRODUCTS

2.1 MANUFACTURERS

- A. Carnes: www.carnes.com.
- B. Krueger: www.krueger-hvac.com.
- C. Titus: www.titus-hvac.com.
- D. Metal-Aire: www.metalaire.com.
- E. E.H. Price: www.price-hvac.com.
- F. Acceptable manufacturers for specific products are listed under each item.

2.2 SQUARE CEILING DIFFUSERS - HIGH PERFORMANCE

- A. Diffusers to be steel unless otherwise indicated, louvered face furnished with frame type appropriate to installation.
- B. Diffuser shall have throw characteristics of a round diffuser having a 360° horizontal blow pattern.
- C. Louver cones shall be one-piece construction with no corner joints.
- D. White, baked enamel finish or powder coat finish, unless otherwise indicated.
- E. High performance type diffuser incorporating short throws and low NC levels.
- F. Manufacturers:
 - 1. Titus; Model TMS: www.titus-hvac.com.
 - 2. Carne; Series SF: www.carnes.com.
 - 3. Price; Model SCD: www.price-hvac.com.
 - 4. Metal Aire; Series 5800: www.metalaire.com.
 - 5. Krueger; Series 1400: www.krueger-hvac.com.

2.3 EGGCRATE GRILLE

- A. Aluminum construction with frame type appropriate to installation.
- B. Grille face 1/2" x 1/2" or 1" x 1" grid pattern 1" deep with a minimum of 85% free area.
- C. Grille sizes and finishes as shown on drawings and/or as scheduled.
- D. White, baked enamel finish or powder coat finish, unless otherwise indicated.
- E. Screw holes on surface counter sunk to accept recessed type screws.
- F. Manufacturers:
 - 1. Titus; Model 50: www.titus-hvac.com.
 - 2. Carnes; Model RAE or RAT: www.carnes.com.
 - 3. Price; Model 80: www.price-hvac.com.
 - 4. Metal Aire; Model CC: www.metalaire.com.
 - 5. Krueger; Model EGC: www.krueger-hvac.com.

PART 3 EXECUTION

3.1 INSTALLATION

- A. Install grilles, registers and diffusers as shown on drawings and according to manufacturer's instructions.
- B. Furnish diffusers with equalizing grids where it is not possible to maintain minimum 2 duct diameter straight duct into diffuser. Equalizing grids shall consist of individually adjustable vanes designed for equalizing airflow into diffuser neck and providing directional control of airflow.

- C. Unless otherwise indicated, size ductwork drops to diffusers or grilles to match unit collar size.
- D. Seal connections between ductwork drops and diffusers/grilles airtight.
- E. Where diffusers, registers and grilles cannot be installed to avoid seeing inside duct, paint inside of duct with flat black paint to reduce visibility.

END OF SECTION

INTENTIONALLY LEFT BLANK

SECTION 235400
GAS FIRED FURNACES

PART 1 GENERAL

1.1 SCOPE

- A . This section includes specifications for gas fired furnaces. Included are the following topics:
1. PART 1 – GENERAL.
 - a. Scope.
 - b. Related Work.
 - c. Reference.
 - d. Reference Standards.
 - e. Energy Efficiency.
 - f. Submittals.
 - g. Operation and Maintenance Data.
 - h. Warranty.
 2. PART 2 – PRODUCTS.
 - a. Furnaces.
 3. PART 3 – EXECUTION.
 - a. Installation.
 - b. Furnaces.
 - c. Owner Training.

1.2 RELATED WORK

- A . Section 230513 - Common Motor Requirements for HVAC Equipment.

1.3 REFERENCE

- A . Applicable provisions of Division 1 govern work under this section.

1.4 REFERENCE STANDARDS

- A . AGA American Gas Association.
B . ANSI Z21.64 Direct Vent Central Furnaces.
C . GAMA Gas Appliance Manufacturers Association.
D . NEC National Electrical Code.

1.5 ENERGY EFFICIENCY

- A . Provide gas furnaces that bear the ENERGY STAR label and meet the ENERGY STAR specifications for energy efficiency.

1.6 SUBMITTALS

- A . Include specific manufacturer and model numbers, equipment identification corresponding to project drawings and schedules, dimensions, capacities, materials of construction, ratings, weights, power requirements and wiring diagrams, filter information and information for all accessories.

1.7 OPERATION AND MAINTENANCE DATA

- A . All operations and maintenance data shall comply with the submission and content requirements specified.

1.8 WARRANTY

- A . Furnace primary and secondary heat exchangers warranted for 20 years under normal use and maintenance. Remainder of furnace components warranted for 1 year from date of start up.

PART 2 PRODUCTS

2.1 FURNACES

- A . Manufacturers:
 - 1. Carrier: www.carrier.com.
 - 2. Lennox: www.lennox.com.
 - 3. York: www.york.com.
- B . Substitutions: Refer to applicable sections in Bidding Requirements and Division 1 - General Requirements. Direct vent, sealed combustion, condensing type AGA certified for use with natural gas. Minimum annual fuel utilization efficiency (A.F.U.E.) of 91. All ratings are to be certified by GAMA. All wiring shall comply with the National Electrical Code.
- C . 22 gauge steel casing with baked enamel finish or pre-painted galvanized steel. Insulate casing back and side panels with foil faced fiberglass insulation.
- D . Construct primary heat exchanger of aluminized steel. Construct secondary heat exchanger of stainless steel with aluminum fins or of polypropylene laminated steel. Aluminized steel multi-port in-shot burner with hot surface or electronic spark ignition, approved for vertical or sidewall venting.
- E . AGA listed gas controls including manual main shut-off valve, double automatic gas valves for redundancy and gas pressure regulator.
- F . Centrifugal type blower fan statically and dynamically balanced with multiple speed, direct drive or belt drive fan motor. Provide low energy induced draft blower for heat exchanger prepurge and combustion gas venting.
- G . Provide unit with 2" thick MERV 8 minimum disposable type panel air filter and filter holding rack.
- H . Provide solid state integral control unit with all necessary controls and relays including but not limited to:
 - 1. Pressure switch for airflow of flue products through furnace and out vent system.
 - 2. Rollout switch with manual reset to prevent over temperature in burner area.
 - 3. Electronic flame sensor.
 - 4. Blower access safety interlock.
 - 5. Timed blower start after main burners ignite.
 - 6. Factory installed 24 v transformer for controls and thermostat.
 - 7. LED's to indicate status and to aid in troubleshooting.
- I . Provide unit with matching cased "A" configuration cooling coil for upflow units, and vertical flat face configuration cooling coil for horizontal units.
- J . Minimum 1/2" OD seamless copper tubing mechanically bonded to heavy ripple edged aluminum fins with thermal expansion valve, holding charge and copper tube stubs for field piping.
- K . Non-corrosive stainless steel or polymer drain pan with 3/4" NPT drain connection.
- L . 20 gauge steel Coil casing with baked enamel finish and fiberglass insulation.
- M . This Contractor shall provide all temperature control and interlocking necessary to perform the specified control sequence. All wiring is to be in conduit in accordance with Division 26 - Electrical. All relays, transformers and controls are to be in enclosures.
- N . Provide a Honeywell RedLINK Wireless VisionPRO 8000 – TH8110R1008 thermostat with 2 occupied periods per day, automatic changeover, separate heating and cooling set points for both occupied and unoccupied modes. Provide auxiliary controls on sub-base to open minimum outside air damper during occupied mode. Substitutions will not be accepted.
- O . Provide lockable thermostat guards in public spaces.

- P . During occupied mode run the supply fan continuously, cycle the cooling or heating as required to maintain occupied space temperature cooling or heating set point. During unoccupied mode cycle the supply fan and cooling or heating as required to maintain unoccupied cooling or heating temperature set point.

PART 3 EXECUTION

3.1 INSTALLATION

- A . Install units as shown on plans and according to the manufacturer's installation instructions.
- B . Install remote thermostats where indicated on the drawings. Provide all wiring between remote thermostats and the gas fired item.

3.2 FURNACES

- A . Install on concrete housekeeping pad, steel stand or suspend unit from structure as indicated on the drawings. Pipe condensate to floor drain or as indicated on plans.
- B . Provide schedule 40 PVC, ASTM D1785 combustion air and vent piping and fittings with solvent welded joints as indicated on the drawings. Terminate as recommended by the furnace manufacturer.

3.3 OWNER TRAINING

- A . Contractor to provide factory authorized representative and/or field personnel knowledgeable with the operations, maintenance and troubleshooting of the system and/or components defined within this section for a minimum period of 8 hours.

END OF SECTION

INTENTIONALLY LEFT BLANK

SECTION 236213

PACKAGED AIR-COOLED REFRIGERANT COMPRESSOR AND CONDENSING UNITS

1.1 SCOPE

- A . This section includes specifications for air cooled condensing units for use with split system type air conditioning. Included are the following topics:
1. PART 1 – GENERAL.
 - a. Scope.
 - b. Related Work.
 - c. Reference.
 - d. Reference Standards.
 - e. Quality Assurance.
 - f. Submittals.
 - g. Operation and Maintenance Data.
 - h. Delivery, Storage and Handling.
 - i. Warranty.
 2. PART 2 – PRODUCTS.
 - a. Units up to 5 Tons.
 - b. Refrigerant Piping Sizing.
 - c. Refrigerant Piping Accessories.
 3. PART 3 – EXECUTION.
 - a. Installation.
 - b. Startup.

1.2 RELATED WORK

- A . Section 230500 - Common Work Results for HVAC.

1.3 REFERENCE

- A . Applicable provisions of Division 1 shall govern work under this section.

1.4 REFERENCE STANDARDS

- | | |
|-----------------|--|
| A . ARI 210/240 | Unitary Air Conditioning and Heat Pump Equipment. |
| B . ARI 365 | Commercial and Industrial Unitary Air Conditioning Condensing Units. |
| C . ASHRAE 15 | Safety Standard for Refrigeration Systems. |
| D . ASHRAE 90.1 | (2004 edition)Energy Standard for Buildings Except Low Rise Residential Buildings. |
| E . NEC | National Electrical Code. |
| F . ASTM B117 | Standard Practice for Operating Salt Spray (fog) Apparatus. |
| G . UL | Underwriters Laboratory. |

1.5 QUALITY ASSURANCE

- A . Unit Energy Efficiency Ratio (EER), Coefficient of Performance (COP) and Integrated Part Load Value (IPLV) shall meet the minimum applicable requirements of ASHRAE 90.1(2004 edition). Units that are labeled ENERGY STAR® will be acceptable.
- B . Rate unit performance in accordance with the latest edition of ARI Standard 365 or ARI Standard 210/240, whichever is applicable for the equipment.
- C . Construct units in accordance with ASHRAE 15, UL standards and the NEC. Units shall carry the UL label.

- D . Factory run test units to see that each control device operates properly. Pressure test, evacuate, charge with holding charge of refrigerant and full oil charge prior to shipping from the factory.

1.6 SUBMITTALS

- A . Submit shop drawings including the following information: specific manufacturer and model numbers, dimensional and weight data, required clearances, materials of construction, capacities and ratings, stages of unloading capacity achievable without hot gas bypass (and with hot gas bypass if applicable), refrigerant type and charge, component information, size and location of piping connections, electrical connections, wiring diagrams and information for all specialties and accessories.
- B . Submit manufacturer's installation and start-up instructions, maintenance data, troubleshooting guide, parts lists, controls and accessories.
- C . At substantial completion, submit warranty certificate and copy of start-up report.

1.7 OPERATION AND MAINTENANCE DATA

- A . All operations and maintenance data shall comply with the submission and content requirements specified.

1.8 DELIVERY, STORAGE AND HANDLING

- A . Comply with manufacturer's instructions for storing, rigging, unloading, and transporting units. Protect units from physical damage. Leave factory-shipping covers in place until installation.
- B . Ship units to jobsite fully assembled.

1.9 WARRANTY

- A . Provide a one-year parts and labor warranty on the entire unit beginning upon substantial completion of project.
- B . Provide a five-year parts warranty on the compressor(s) beginning upon substantial completion of project.

PART 2 PRODUCTS

2.1 UNITS UP TO 5 TONS

- A . Manufacturers:
 - 1. Lennox: www.lennox.com.
 - 2. Carrier: www.carrier.com.
 - 3. York: www.york.com.
- B . Provide factory assembled, outdoor mounted, air -cooled condensing unit suitable for on grade or rooftop installation. Include compressor, air cooled condenser, refrigerant, lubrication system, interconnecting wiring, safety and operating controls, motor starting components and additional features as specified herein or required for safe, automatic operation. Capacity and steps of unloading as indicated in the equipment schedule. Refrigerant is to be R-410A.
- C . CABINET:
 - 1. Construct cabinet of heavy gauge, galvanized steel coated with weather resistant paint. Provide removable access panels to facilitate full access to the compressor, fan and control components.
- D . COMPRESSOR:
 - 1. Provide hermetic reciprocating or scroll type compressor with built in motor winding temperature and current protection, liquid and suction service valves, gage ports, sight glass and liquid line filter dryer. Provide crankcase heater with reciprocating type compressors. Mount compressors on vibration isolators. Cooling shall be two-stage.

- E . CONDENSER:
 1. Provide condenser coils with aluminum alloy plate fins mechanically fastened to seamless copper tubing with integral subcooler. Construct coils with design working pressure suitable for the refrigerant. Louvered condenser guard shall be provided.
- F . Provide direct-drive statically and dynamically balanced propeller type fans with vertical or horizontal discharge as indicated on the drawings and guards constructed of heavy gage PVC coated wire or galvanized steel.
- G . POWER WIRING:
 1. Provide factory installed 24-volt control circuit with fusing; control power transformer and all associated internal wiring. Provide a single point power connection to the unit(s). Provide factory installed magnetic contactors for compressor and condenser motors.
 2. Electrical characteristics shall be as indicated in the equipment schedule.
- H . CONTROLS:
 1. Provide high/low refrigerant pressure cutouts with manual reset and anti-short cycle compressor timer.
 2. Provide "low ambient" controls and accessories needed so that unit is capable of operating down to ambient temperature of 25F.

2.2 REFRIGERANT PIPING SIZING

- A . The unit manufacturer shall verify the final refrigeration pipe sizing process to ensure conformance to specific unit requirements such as max lengths, refrigerant velocities, unloading considerations and proper oil return. Provide factory pre-charged line sets unless the distance between the unit and the evaporator coil is too great. In this case, provide sizing criteria and materials to the Mechanical Contractor for this purpose.

2.3 REFRIGERANT PIPING ACCESSORIES

- A . For systems using R-410A, provide all refrigerant piping specialties with a maximum working pressure of full vacuum to 850 psig and a maximum working temperature of 225 degree F.
- B . Filter Dryers: For circuits below 15 tons provide straight pattern filter dryers without replaceable core.
- C . Sight glasses: Two piece brass construction with solder end connections. Include color indicator for sensing moisture.
- D . Solenoid Valves: Two way normally closed with two piece brass body, full port, stainless steel plug, stainless steel spring, teflon diaphragm and solder end connections. Provide replaceable coil assembly.
- E . Thermostatic Expansion Valves: Brass body, bronze disc, neoprene seat, bronze bonnet, stainless steel spring and solder end connections.
- F . Charging Valves: Provide ¼" SAE brass male flare access ports with finger tight, quick seal caps. Provide 2-inch long copper extension sections.
- G . Check valves: Spring loaded type with bronze body, bronze disc, neoprene seat, bronze bonnet, stainless steel spring and solder end connections.

PART 3 EXECUTION

3.1 INSTALLATION

- A . Install units, piping and accessories in accordance with the manufacturer's written instructions and recommendations. Mount unit(s) on a poured concrete pad on grade or on roof mounted rails as indicated on the drawings. Units shall be level on pitched roofs.
- B . Maintain adequate service access and airflow clearances for all components as recommended by the manufacturer and as indicated on the drawings.

- C . Charge unit(s) with full oil charge and refrigerant charge based on the entire refrigeration system pipe size and length.
- D . Provide all control wiring in conduit in compliance Division 26 - Electrical.
- E . Coordinate power wiring requirements with the electrical trade.

3.2 STARTUP

- A . Adjust units for maximum operating efficiency, adjust all controls to required final settings and demonstrate that all components are functioning properly. Submit four copies of a written startup report following the initial start up. Include in the report: work done to the system, all readings taken, a statement certifying that the refrigeration system(s) are leak free and a statement certifying that the unit(s) have been placed in proper running condition as recommended by the manufacturer and as intended in the drawings and specifications.

END OF SECTION

SECTION 260500

COMMON WORK RESULTS FOR ELECTRICAL

PART 1 GENERAL

1.1 SECTION INCLUDES

- A. The electrical work included in all other Divisions is the responsibility of the Contractor performing the Division 26 work unless noted otherwise.

1.2 SCOPE

- A. The work under this section includes basic electrical requirements, which are applicable to all Division 26 sections. This section includes information common to two or more technical specification sections or items that are of a general nature, not conveniently fitting into other technical sections. Included are the following topics:
 - 1. PART 1 – GENERAL.
 - a. Scope.
 - b. Related Work.
 - c. Reference Standards.
 - d. Regulatory Requirements.
 - e. Quality Assurance.
 - f. Continuity of Existing Services and Systems.
 - g. Protection of Finished Surfaces.
 - h. Approved Electrical Testing Laboratories.
 - i. Sleeves and Openings.
 - j. Sealing and Firestopping.
 - k. Intent.
 - l. Omissions.
 - m. Submittals.
 - n. Project/Site Conditions.
 - o. Work Sequence and Scheduling.
 - p. Work by Other Trades.
 - q. Offsite Storage.
 - r. Request and Certificate for Payment.
 - s. Salvage Materials.
 - t. Certificates and Inspections.
 - u. Operating and Maintenance Data.
 - v. Record Drawings.
 - 2. PART 2 – PRODUCTS.
 - a. Access Panels and Doors.
 - b. Identification.
 - c. Sealing and Firestopping.
 - 3. PART 3 – EXECUTION.
 - a. Excavation and Backfill.
 - b. Concrete Work.
 - c. Cutting and Patching.
 - d. Building Access.
 - e. Equipment Access.
 - f. Coordination.
 - g. Sleeves.
 - h. Sealing and Firestopping.
 - i. Housekeeping and Clean Up.
 - j. Owner Training.

1.3 RELATED WORK

- A. Applicable provisions of Bidding requirements and Division 1 – General Requirements govern work under this Section.

1.4 REFERENCE STANDARDS

- A. Abbreviations of standards organizations referenced in this and other sections are as follows:
 - 1. ANSI American National Standards Institute.
 - 2. ASTM American Society for Testing and Materials.
 - 3. EPA Environmental Protection Agency.
 - 4. ETL Electrical Testing Laboratories, Inc.
 - 5. IEEE Institute of Electrical and Electronics Engineers.
 - 6. IES Illuminating Engineering Society.
 - 7. ISA Instrument Society of America.
 - 8. NBS National Bureau of Standards.
 - 9. NEC National Electric Code.
 - 10. NEMA National Electrical Manufacturers Association.
 - 11. NESC National Electrical Safety Code.
 - 12. NFPA National Fire Protection Association.
 - 13. UL Underwriters Laboratories Inc.

1.5 REGULATORY REQUIREMENTS

- A. All work and materials are to conform in every detail to applicable rules and requirements of the State of Oklahoma Electrical Code the National Electrical Code (ANSI/NFPA 70), other applicable National Fire Protection Association codes, the National Electrical Safety Code, and present manufacturing standards (including NEMA).
- B. All Division 26 work shall be done under the direction of a currently certified State of Oklahoma Certified Master Electrician.

1.6 QUALITY ASSURANCE

- A. Where equipment or accessories are used which differ in arrangement, configuration, dimensions, ratings, or engineering parameters from those indicated on the contract documents, the Contractor is responsible for all costs involved in integrating the equipment or accessories into the system and the assigned space and for obtaining the performance from the system into which these items are placed.
- B. Manufacturer references used herein are intended to establish a level of quality and performance requirements unless more explicit restrictions are stated to apply. Where two or more manufacturers are specified and no reference is made to “or equal” other manufacturers, other manufacturers will be considered. Written notification of intent to use manufacturers other than those specified is required ten days prior to bid. Submittals shall be reviewed only after bidding and may be rejected if any aspect of the equivalent product is deemed lesser than that of the specified product by the specifier. The contractor shall be responsible for ensuring alternates are equivalent to those specified.
- C. All materials, except medium voltage equipment and components, shall be listed by and shall bear the label of an approved electrical testing laboratory. If none of the approved electrical testing laboratories has published standards for a particular item, then other national independent testing standards, if available, applicable, and approved by Owner, shall apply and such items shall bear those labels. Where one of the approved electrical testing laboratories has an applicable system listing and label, the entire system, except for medium voltage equipment and components, shall be so labeled.

1.7 CONTINUITY OF EXISTING SERVICES AND SYSTEMS

- A. No outages shall be permitted on existing systems except at the time and during the interval specified by the Owner Project Representative. The Owner may require written approval. Any outage must be scheduled when the interruption causes the least interference with normal schedules and business routines. No extra costs will be paid to the Contractor for such outages which must occur outside of regular weekly working hours.
- B. This Contractor shall restore any circuit interrupted as a result of this work to proper operation as soon as possible. Note that Owner operations are on a seven-day week schedule, unless otherwise specified.

1.8 PROTECTION OF FINISHED SURFACES

- A. Furnish one can of touch-up paint for each different color factory finish furnished by the Contractor. Deliver touch-up paint with other "loose and detachable parts" as covered in the General Requirements.

1.9 APPROVED ELECTRICAL TESTING LABORATORIES

- A. The following laboratories are approved for providing electrical product safety testing and listing services as required in these specifications:
 - 1. Underwriters Laboratories Inc.
 - 2. Electrical Testing Laboratories, Inc.

1.10 SLEEVES AND OPENINGS

- A. Below Grade Wall Penetrations.
- B. Conduit Penetrations.

1.11 SEALING AND FIRESTOPPING

- A. Sealing and firestopping of sleeves/openings between conduits, cable trays, wireways, troughs, cablebus, busduct, etc. and the structural or partition opening shall be the responsibility of the Contractor whose work penetrates the opening. The Contractor responsible shall hire individuals skilled in such work to do the sealing and firestopping. These individuals hired shall normally and routinely be employed in the sealing and fireproofing occupation.

1.12 INTENT

- A. The Contractor shall furnish and install all the necessary materials, apparatus, and devices to complete the electrical equipment and systems installation herein specified, except such parts as are specifically exempted herein.
- B. If an item is either called for in the specifications or shown on the plans, it shall be considered sufficient for the inclusion of said item in this contract. If a conflict exists within the Specifications or exists within the Drawings, the Contractor shall furnish the item, system, or workmanship, which is the highest quality, largest, or most closely fits the Owner's intent (as determined by the Owner / Project Manager). Refer to the General Conditions of the Contract for further clarification.
- C. It must be understood that the details and drawings are diagrammatic. The Contractor shall verify all dimensions at the site and be responsible for their accuracy.
- D. All sizes as given are minimum except as noted.
- E. Materials and labor shall be new (unless noted or stated otherwise), first class, and workmanlike, and shall be subject at all times to the Owner's and/or Architect/Engineer's inspections, tests and approval from the commencement until the acceptance of the completed work.
- F. Whenever a particular manufacturer's product is named, it is intended to establish a level of quality and performance requirements unless more explicit restrictions are stated to apply.

1.13 OMISSIONS

- A. No later than ten (10) days before bid opening, the Contractor shall call the attention of the Owner to any materials or apparatus the Contractor believes to be inadequate and to any necessary items of work omitted.

1.14 SUBMITTALS

- A. Refer to applicable sections in Bidding Requirements and Division 1 – General Requirements.
- B. Submit for all equipment and systems as indicated in the respective specification sections, marking each submittal with that specification section number. Mark general catalog sheets and drawings to indicate specific items being submitted and proper identification of equipment by name and/or number, as indicated in the contract documents. Failure to do this may result in the submittal(s) being returned to the Contractor for correction and resubmission. Failing to follow these instructions does not relieve the Contractor from the requirement of meeting the project schedule.
- C. On request from the Owner or Architect/Engineer, the successful bidder shall furnish additional drawings, illustrations, catalog data, performance characteristics, etc.
- D. Submittals shall be grouped to include complete submittals of related systems, products, and accessories in a single submittal. Mark dimensions and values in units to match those specified. Include wiring diagrams of electrically powered equipment.
- E. The submittals must be approved before fabrication is authorized.

1.15 PROJECT/SITE CONDITIONS

- A. Install Work in locations shown on Drawings, unless prevented by Project conditions.
- B. Prepare drawings showing proposed rearrangement of Work to meet Project conditions, including changes to Work specified in other Sections. Obtain permission of Owner before proceeding.
- C. Tools, materials and equipment shall be confined to areas designated by the Owner.

1.16 WORK SEQUENCE AND SCHEDULING

- A. Install work in phases to accommodate Owner's occupancy requirements. During the construction period coordinate electrical schedule and operations with Owner's Construction Representatives.

1.17 WORK BY OTHER TRADES

- A. Every attempt has been made to indicate in this trade's specifications and drawings all work required of this Contractor. However, there may be additional specific paragraphs in other trade specifications and addenda, and additional notes on drawings for other trades which pertain to this Trade's work, and thus those additional requirements are hereby made a part of these specifications and drawings.
- B. Electrical details on drawings for equipment to be provided by others are based on preliminary design data only. This Contractor shall lay out the electrical work and shall be responsible for its correctness to match equipment actually provided by others.

1.18 OFFSITE STORAGE

- A. If payment will be requested for approved offsite stored material, then the Contractor shall complete an "Off-site Storage Agreement" which the Owner will consider on a case by case basis. Prior approval by Owner personnel for offsite storage will be needed. No material will be accepted for offsite storage unless submittals for the material have been approved.

1.19 REQUEST AND CERTIFICATE FOR PAYMENT

- A. Refer to the General Conditions of the Contract for all payment request requirements. A cost breakdown of the proposed values for work performed which may be required by the Owner and if approved by the Owner, will become the basis for construction progress and monthly payments. The cost breakdown items shall reflect actual work progress stages as closely as feasible.

1.20 SALVAGE MATERIALS

- A. No materials removed from this project shall be reused. All materials removed shall become the property of and shall be disposed of by the Contractor.

1.21 CERTIFICATES AND INSPECTIONS

- A. Refer to the General Conditions for Certificates and Inspections.
- B. This Contractor is responsible for coordination of Owner electrical inspection. Inspection requirements will be issued at a pre-installation meeting, arranged by this Contractor and the Electrical Inspector having jurisdiction.

1.22 OPERATION AND MAINTENANCE DATA

- A. All operations and maintenance data shall comply with the submission and content requirements specified under applicable sections in Bidding Requirements and Division 1 - General Requirements.
- B. In addition to the general content specified under applicable sections in Bidding Requirements and Division 1 - General Requirements supply the following additional documentation:
 - 1. Manufacturer's wiring diagrams for electrically powered equipment.

1.23 RECORD DRAWINGS

- A. The Contractor shall maintain at least one copy each of the specifications and drawings on the job site at all times.
- B. The Owner or Engineer will provide the Contractor with a suitable set of contract drawings on which daily records of changes and deviations from contract shall be recorded. Dimensions and elevations on the record drawings shall locate all buried or concealed piping, conduit, or similar items.
- C. The daily record of changes shall be the responsibility of Contractor's field superintendent. No arbitrary mark-ups will be permitted.
- D. At completion of the project, the Contractor shall submit the marked-up record drawings to the Owner prior to final payment.

PART 2 PRODUCTS

2.1 ACCESS PANELS AND DOORS

- A. Lay-in Ceilings:
 - 1. Removable lay-in ceiling tiles in 2 x 2 foot or 2 x 4 foot configuration provided under other divisions are sufficient; no additional access provisions are required unless specifically indicated.
- B. Concealed Spline Ceilings:
 - 1. Removable sections of ceiling tile held in position with metal slats or tabs compatible with the ceiling system used will be provided under other divisions.
- C. Metal Pan Ceilings:
 - 1. Removable sections of ceiling tile held in position by pressure fit will be provided under other divisions.
- D. Plaster Walls and Ceilings:

1. 16 gauge frame with not less than a 20 gauge hinged door panel, prime coated steel for general applications, stainless steel for use in toilets, showers and similar wet areas, concealed hinges, screwdriver operated cam latch for general application, key lock for use in public areas, UL listed for use in fire rated partitions if required by the application. Use the largest size access opening possible, consistent with the space and the equipment needing service; minimum size is 12" by 12".

2.2 IDENTIFICATION

- A. See Electrical Section 260553 – Identification for Electrical Systems.

2.3 SEALING AND FIRESTOPPING

- A. Fire and/or Smoke Rated Penetrations:
 1. Whenever possible, avoid penetrations of fire and smoke rated partitions. When they cannot be avoided, verify that sufficient space is available for the penetration to be effectively fire and smoke stopped.
- B. Manufacturers:
 1. 3M: www.3m.com.
 2. STI/SpecSeal: www.stifirestop.com.
 3. Tremco: www.tremcosealants.com.
 4. Hilti: www.hilti.com.
- C. All firestopping systems shall be by the same manufacturer.
- D. Submittals:
 1. Refer to applicable sections in Bidding Requirements and Division 1 - General Requirements.
 2. Contractor shall submit product data for each firestop system. Submittals shall include product characteristics, performance and limitation criteria, test data, MSDS sheets, installation details and procedures for each method of installation applicable to this project. For non-standard conditions where no UL tested system exists, submit manufacturer's drawings for UL system with known performance for which an engineering judgment can be based upon.
- E. Product:
 1. Firestop systems shall be UL listed or tested by an independent testing laboratory approved by the Department of Commerce.
- F. Use a product that has a rating not less than the rating of the wall or floor being penetrated. Reference architectural drawings for identification of fire and/or smoke rated walls and floors.
- G. Contractor shall use firestop putty, caulk sealant, intumescent wrapstrips, intumescent firestop collars, firestop mortar or a combination of these products to provide a UL listed system for each application required for this project. Provide mineral wool backing where specified in manufacturer's application detail.
- H. Non-Rated Penetrations:
 1. Conduit Penetrations Through Below Grade Walls:
 - a. In exterior wall openings below grade, use a modular mechanical type seal consisting of interlocking synthetic rubber links shaped to continuously fill the annular space between the uninsulated conduit and the cored opening or a water-stop type wall sleeve.
 2. Conduit and Cable Tray Penetrations:
 - a. At conduit and cable tray penetrations of non-rated interior partitions, floors and exterior walls above grade, use urethane caulk in annular space between conduit and sleeve, or the core drilled opening.

PART 3 EXECUTION

3.1 EXCAVATION AND BACKFILL

- A. Perform all excavation and backfill work to accomplish indicated electrical systems installation in accordance with Division 31 - Trenching. Blasting will not be allowed without written permission of the Owner.

3.2 CONCRETE WORK

- A. The Division 3 Contractor will perform all cast-in-place concrete unless noted otherwise elsewhere. Provide all layout drawings, anchor bolts, metal shapes, and/or templates required to be cast into concrete or used to form concrete for the support of electrical equipment.

3.3 CUTTING AND PATCHING

- 1. Refer to applicable sections in Bidding Requirements and Division 1 - General Requirements.

3.4 BUILDING ACCESS

- A. Arrange for the necessary openings in the building to allow for admittance of all apparatus. When the building access was not previously arranged and must be provided by this Contractor, restore any opening to its original condition after the apparatus has been brought into the building.

3.5 EQUIPMENT ACCESS

- A. Install all piping, conduit, ductwork, and accessories to permit access to equipment for maintenance. Coordinate the exact location of wall and ceiling access panels and doors with the General Contractor, making sure that access is available for all equipment and specialties. Where access is required in plaster or drywall walls or ceilings, furnish the access doors to the General Contractor and reimburse the General Contractor for installation of those access doors.

3.6 COORDINATION

- A. The Contractor shall cooperate with other trades and Owner's personnel in locating work in a proper manner. Should it be necessary to raise or lower or move longitudinally any part of the electrical work to better fit the general installation, such work shall be done at no extra cost to the Owner, provided such decision is reached prior to actual installation. The Contractor shall check location of electrical outlets with respect to other installations before installing.
- B. The Contractor shall verify that all devices are compatible for the surfaces on which they will be used. This includes, but is not limited to light fixtures, panelboards, devices, etc. and recessed or semi-recessed heating units installed in/on architectural surfaces.
- C. Coordinate all work with other Contractors prior to installation. Any installed work that is not coordinated and that interferes with other Contractor's work shall be removed or relocated at the installing Contractor's expense.
- D. Cooperate with the testing consultant in ensuring specification Section 260504 compliance. Verify system completion to the testing consultant. Demonstrate the starting, interlocking and control features of each system so the testing Contractor can perform its work.

3.7 SLEEVES

- A. Pipe sleeves for conduits 6" in diameter and smaller, in new poured concrete construction, shall be schedule 40 steel pipe, plastic removable sleeve or sheet metal sleeve, all cast in place.
- B. In wet area floor penetrations, top of sleeve to be 2 inches above the adjacent floor. In existing wet area floor penetrations, core drill sleeve openings large enough to insert schedule 40 sleeve and grout the area around the sleeve. If a pipe clamp resting on the sleeve supports the pipe penetrating the sleeve, weld a collar or struts to the sleeve that will transfer weight to the existing floor structure. Wet areas for this paragraph are rooms or spaces containing air handling unit coils, converters, pumps, chillers, boilers, and similar waterside equipment.

- C. Pipe penetrations in existing concrete floors that are not in wet areas may omit the use of schedule 40 sleeve and use the core drilled opening as the sleeve.

3.8 SEALING AND FIRESTOPPING

- A. Fire and/or Smoke Penetrations:
 - 1. Install approved product in accordance with the manufacturer's instructions where a pipe (i.e. cable tray, bus, cable bus, conduit, wireway, trough, etc.) penetrates a fire rated surface.
- B. Where firestop mortar is used to infill large fire-rated floor openings that could be required to support weight, provide permanent structural forming. Firestop mortar alone is not adequate to support any substantial weight.
- C. Non-Rated Surfaces:
 - 1. When the opening is through a non-fire rated wall, floor, ceiling or roof the opening must be sealed using an approved type of material.
 - 2. Install escutcheons or floor/ceiling plates where conduit, penetrates non-fire rated surfaces in occupied spaces. Occupied spaces for this paragraph include only those rooms with finished ceilings and the penetration occurs below the ceiling.
 - 3. In exterior wall openings below grade, assemble rubber links of mechanical seal to the proper size for the conduit and tighten in place, in accordance with the manufacturer's instructions. Install so that the bolts used to tighten the seal are accessible from the interior of the building or vault.
 - 4. At interior partitions, conduit penetrations are required to be sealed for all clean rooms, laboratories, and most hospital spaces, computer rooms, dormitory rooms, tele/data/com rooms and similar spaces where the room pressure or odor transmission must be controlled. Apply sealant to both sides of the penetration in such a manner that the annular space between the conduit sleeve and the conduit is completely filled.

3.9 HOUSEKEEPING AND CLEAN UP

- A. The Contractor shall clean up and remove from the premises, on a daily basis, all debris and rubbish resulting from its work and shall repair all damage to new and existing equipment resulting from its work. When job is complete, this Contractor shall remove all tools, excess material and equipment, etc., from the site.

3.10 OWNER TRAINING

- A. All training provided for the Owner shall comply with the format, general content requirements and submission guidelines specified under General Conditions.
- B. Contractor to provide factory authorized representative and/or field personnel knowledgeable with the operations, maintenance and troubleshooting of the system and/or components defined within this section for a minimum period of 48 hours.

END OF SECTION

SECTION 260504

CLEANING, INSPECTION, AND TESTING OF ELECTRICAL EQUIPMENT

PART 1 GENERAL

1.1 SCOPE

- A. The work under this section includes the required cleaning, repair, adjustment, calibration, maintenance and testing of electrical equipment, as specified herein. This applies only to new electrical and existing electrical equipment being furnished, modified, worked on or serviced by this Contractor for this project. Included are the following topics:
1. PART 1 – GENERAL.
 - a. Scope.
 - b. Related Work.
 2. PART 2 – PRODUCTS.
 - a. Not Used.
 3. PART 3 – EXECUTION.
 - a. General Inspection and Cleaning of all Equipment.
 - b. Grounding Systems.
 - c. Mechanical and Electrical Interlock System.
 - d. Dry Type Transformers.
 - e. Cables.
 - f. Panelboards.
 - g. Light Fixtures.
 - h. Occupancy Sensors.
 - i. Battery Pack Emergency Lighting.

1.2 RELATED WORK

- A. Applicable provisions of Division 1 govern work under this Section.

PART 2 PRODUCTS – NOT USED

PART 3 EXECUTION

3.1 GENERAL INSPECTION AND CLEANING OF ALL ELECTRICAL EQUIPMENT

- A. Inspect for physical damage and abnormal mechanical and electrical conditions.
- B. Any item found to be out of tolerance, or in any other way defective as a result of the required testing, shall be reported to the Engineer and Owner. Procedure for repair and/or replacement will be outlined. After appropriate corrective action is completed the item shall be re-tested.
- C. Compare equipment nameplate information with the latest single line diagram and report any discrepancies.
- D. Verify proper auxiliary device operation and indicators.
- E. Check tightness of accessible bolted electrical joints. Use torque wrench method.
- F. Make a close examination of equipment and remove any shipping brackets, insulation, packing, etc. that may not have been removed during original installation.
- G. Make a close examination of equipment and remove any dirt or other forms of debris that may have collected in existing equipment or in new equipment during installation.
- H. Clean All Equipment:
 1. Vacuum inside of panelboards, switchboards, switchgear, transformer core and coils, horizontal and vertical busducts, MCC's, fire alarm panels, comm/data, security panel, etc.
 2. Loosen attached particles and vacuum them away.
 3. Wipe all insulators with a clean, dry, lint free rag.
 4. Clean insulator grooves.

5. Re-vacuum inside surfaces as directed by the Owner's Construction Representative or Inspector.
- I. Inspect equipment anchorage.
- J. Inspect equipment and bus alignment.
- K. Check all heater elements for operation and control.
- L. Lubricate nonelectrical equipment per manufacturer's recommendations.

3.2 GROUNDING SYSTEMS

- A. Inspect the ground system for adequate termination at all devices.

3.3 MECHANICAL AND ELECTRICAL INTERLOCK SYSTEM

- A. Physically test each system to ensure proper function, operation and sequencing.
- B. Closure attempt shall be made on locked open devices.
- C. Opening attempt shall be made on locked closed devices.
- D. Key exchange shall be made with devices operated in off normal positions.

3.4 DRY TYPE TRANSFORMERS

- A. Test and adjust the cooling fans, controls and alarm functions.
- B. Measure secondary voltage phase-to-phase and phase-to-ground after final energization and prior to loading.
- C. Verify and/or connect transformer "XO" to ground, load side of "WYE" systems.

3.5 CABLES

- A. Visual and Mechanical Inspections:
 1. Inspect exposed sections for physical damage.
 2. Verify cable is supplied and connected in accordance with single line diagram.
 3. Inspect for shield grounding, cable support and termination.
 4. If cables are terminated through window type C.T.'s make an inspection to verify that neutrals and grounds are properly terminated for normal operation of protective devices.
 5. Inspect for visual jacket and insulation condition.
 6. Visible cable bends shall be checked against ICEA or manufacturer's minimum allowable bending radii -- 12 times the diameter for tape shielded cables.
 7. Inspect for proper fireproofing in common cable areas.
 8. There shall be NO tests performed on existing cable without specific direction from the Consulting Engineer.
- B. Electrical Tests -- Below 600 Volts:
 1. All secondary cables from the substation transformers to the secondary switchboards shall be subjected to insulation tests using a 500 vdc megger.
 2. Visually inspect cables, lugs, connectors and all other components for physical damage and proper connections.
 3. Check all cable connectors for tightness (with a torque wrench) and clearances. Torque test conductor and bus terminations to manufacturer's recommendations.
 4. Check for proper grounding resistance at all services and at transformers. Resistance shall be 2 ohms maximum.
 - a. Above 600 volts:
 - 1) Above 600 volt testing will be performed under a separate contract.

3.6 PANELBOARDS

- A. Torque all the connections per the manufacturers spec. Verify phase wires, color coding, separate neutral and mechanical bonding. Verify circuit breaker operation. Verify the directory.

3.7 LIGHT FIXTURES

- A. Check the bonding and proper lamping. Verify that recessed fixtures are installed with hold down clips. Confirm operation of the fixture with the proper switch or sensor.

3.8 OCCUPANCY SENSORS

- A. Confirm operation of the sensor per the manufacturers spec.

3.9 BATTERY PACK EMERGENCY LIGHTING

- A. Verify the operation per the manufacturers spec and run all of the diagnostic steps. Confirm proper grounding and location.

END OF SECTION

INTENTIONALLY LEFT BLANK

SECTION 260519

LOW-VOLTAGE ELECTRICAL POWER CONDUCTORS AND CABLES

PART 1 GENERAL

1.1 SCOPE

- A. The work under this section includes furnishing and installing required wiring and cabling systems including pulling, terminating and splicing. Included are the following topics:
 - 1. PART 1 – GENERAL.
 - a. Scope.
 - b. Related Work.
 - c. References.
 - d. Submittals.
 - e. Project Conditions.
 - 2. PART 2 – PRODUCTS.
 - a. General.
 - b. Building Wire.
 - c. Underground Wire for Exterior Work.
 - d. Wiring Connectors.
 - 3. PART 3 – EXECUTION.
 - a. General Wiring Methods.
 - b. Wiring Installation In Raceways.
 - c. Wiring Connections and Terminations.
 - d. Field Quality Control.
 - e. Wire Color.
 - f. Branch Circuits.

1.2 RELATED WORK

- A. Applicable provisions of Bidding Requirements and Division 1 - General Requirements govern work under this section.
- B. Section 260533 – Raceway and Boxes for Electrical Systems.
- C. Section 260553 – Identification for Electrical Systems.

1.3 REFERENCES

- A. NFPA 70 - National Electrical Code.

1.4 SUBMITTALS

- A. Refer to applicable sections of Bidding Requirements and Division 1 - General Requirements.
- B. Submit product data: Provide for each cable assembly type.
- C. Submit factory test reports: Indicate procedures and values obtained.
- D. Submit shop drawings for modular wiring system including layout of distribution devices, branch circuit conduit and cables, circuiting arrangement, and outlet devices.
- E. Submit manufacturer's installation instructions. Indicate application conditions and limitations of use stipulated by product testing agency specified under Regulatory Requirements.

1.5 PROJECT CONDITIONS

- A. Verify that field measurements are as shown on Drawings.
- B. Conductor sizes are based on copper.
- C. Wire and cable routing shown on Drawings is approximate unless dimensioned. Route wire and cable as required to meet project conditions.

- D. Where wire and cable routing is not shown, and destination only is indicated, determine exact routing and lengths required.

PART 2 PRODUCTS

2.1 GENERAL

- A. All wire shall be new, delivered to the site in unbroken cartons and shall be less than one year old out of manufacturer's stock.
- B. All conductors shall be copper.

2.2 BUILDING WIRE

- A. Description: Single conductor insulated wire.
- B. Insulation: Type THHN/THWN, XHHW-2 insulation for feeders and branch circuits.

2.3 UNDERGROUND WIRE FOR EXTERIOR WORK

- A. Description: Stranded single or multiple conductor insulated wire.
- B. Insulation: Type XHHW-2 or USE.
- C. This wiring shall be used in all underground applications, except when run in a concrete-encased ductbank.

2.4 WIRING CONNECTORS

- A. Split Bolt Connectors: Not acceptable.
- B. Solderless Pressure Connectors: High copper alloy terminal. May be used only for cable termination to equipment pads or terminals. Not approved for splicing.
- C. Spring Wire Connectors: Solderless spring type pressure connector with insulating covers for copper wire splices and taps. Use for conductor sizes 10 AWG and smaller.
- D. All wire connectors used in underground or exterior pull boxes shall be gel filled twist connectors or a connector designed for damp and wet locations.
- E. Mechanical Connectors: Bolted type tin-plated; high conductivity copper alloy; spacer between conductors; beveled cable entrances.
- F. Compression (crimp) Connectors: Long barrel; seamless, tin-plated electrolytic copper tubing; internally beveled barrel ends. Connector shall be clearly marked with the wire size and type and proper number and location of crimps. Connector shall be irreversible type meeting IEEE Standard 837-2002, UL Listed.

PART 3 EXECUTION

3.1 GENERAL WIRING METHODS

- A. All wire and cable shall be installed in conduit.
- B. Do not use wire smaller than 12 AWG for power and lighting circuits.
- C. All conductors shall be sized to prevent excessive voltage drop at rated circuit ampacity. As a minimum use 10 AWG conductor for 20 ampere, 120 volt branch circuit home runs longer than 100 feet (30 m), and for 20 ampere, 277 volt branch circuit home runs longer than 200 feet (61 m).
- D. Make conductor lengths for parallel conductors equal.
- E. Splice only in junction or outlet boxes.
- F. No conductor less than 10 AWG shall be installed in exterior underground conduit.
- G. Identify ALL low voltage, 600v and lower, wire per section 260553.

H. Neatly train and lace wiring inside boxes, equipment, and panelboards.

3.2 WIRING INSTALLATION IN RACEWAYS

- A. Pull all conductors into a raceway at the same time. Use Listed wire pulling lubricant for pulling 4 AWG and larger wires and for other conditions when necessary.
- B. Install wire in raceway after interior of building has been physically protected from the weather and all mechanical work likely to injure conductors has been completed.
- C. Completely and thoroughly swab raceway system before installing conductors.
- D. Place all conductors of a given circuit (this includes phase wires, neutral (if any), and ground conductor) in the same raceway. If parallel phase and/or neutral wires are used, then place an equal number of phase and neutral conductors in same raceway or cable.
- E. VFD Installations: Install VFD input wiring and output wiring in separate conduit systems. Do not mix VFD input power and output power, or control wiring in a common raceway.

3.3 WIRING CONNECTIONS AND TERMINATIONS

- A. Splice only in accessible junction boxes.
- B. Wire splices and taps shall be made firm, and adequate to carry the full current rating of the respective wire without soldering and without perceptible temperature rise.
- C. All splices shall be so made that they have an electrical resistance not in excess of two feet (600 mm) of the conductor.
- D. Use solderless spring type pressure connectors with insulating covers for wire splices and taps, 10 AWG and smaller.
- E. Use mechanical or compression connectors for wire splices and taps, 8 AWG and larger. Tape uninsulated conductors and connectors with electrical tape to 150 percent of the insulation value of conductor.
- F. Thoroughly clean wires before installing lugs and connectors.
- G. At all splices and terminations, leave tails long enough to cut splice out and completely re-splice.

3.4 FIELD QUALITY CONTROL

- A. Field inspection and testing will be performed.
 - 1. Additional testing as follows shall be performed if aluminum conductors are used:
 - a. Equipment terminated with aluminum conductors shall be tested with a thermal imager and recorded.
 - b. Conductors shall be closely checked for loose or poor connections, and for signs of overheating or corrosion.
 - c. Test procedures shall meet NETA guidelines.
 - d. Test results and report shall be provided to the engineer.
 - e. Contractor shall correct all deficiencies reported in the test report.

3.5 WIRE COLOR

- A. General:
 - 1. For wire sizes 10 AWG and smaller - Wire shall be colored as indicated below.
 - 2. For wire sizes 8 AWG and larger – Use colored wire, or identify wire with colored tape at all terminals, splices and boxes. Colors to be as indicated below.
 - 3. In existing facilities, use existing color scheme.

4. In new facilities, use black and red for single phase circuits at 120/240 volts, use Phase A black, Phase B red and Phase C blue for circuits at 120/208 volts single or three phase, and use Phase A brown, Phase B orange and Phase C yellow for circuits at 277/480 volts single or three phase. Note: This includes fixture whips except for Listed whips mounted by the fixture manufacturer on the fixture and Listed as a System.
 5. All switch legs shall be the same color as their associated circuit. Traveler conductors run between 3 and 4 way switches shall be colored pink or purple.
- B. Neutral Conductors: White for 120/208V and 120/240V systems, Gray for 277/480V systems. Where there are two or more neutrals in one conduit, each shall be individually identified with a different stripe.
 - C. Branch Circuit Conductors: Three or four wire home runs shall have each phase uniquely color coded.
 - D. Feeder Circuit Conductors: Each phase shall be uniquely color coded.
 - E. Ground Conductors: Green for 6 AWG and smaller. For 4 AWG and larger, identify with green colored wire, or with green tape at both ends and at all access points, such as panelboards, motor starters, disconnects and junction boxes. When isolated grounds are required, Contractor shall provide green with yellow tracer.

3.6 BRANCH CIRCUITS

- A. The use of single-phase, multi-wire branch circuits with a common neutral is not permitted. All branch circuits shall be furnished and installed with an individual accompanying neutral, sized the same as the phase conductors.

END OF SECTION

SECTION 260523

CONTROL-VOLTAGE ELECTRICAL POWER CABLES

PART 1 GENERAL

1.1 SCOPE

- A. The work under this section includes furnishing and installing required remote control and signal cabling. Included are the following topics:
 - 1. PART 1 - GENERAL.
 - a. Scope.
 - b. Related Work.
 - c. References.
 - d. Submittals.
 - e. Project Conditions.
 - 2. PART 2 - PRODUCTS.
 - a. General.
 - b. Remote Control and Signal Cable.
 - c. Wiring Connectors.
 - 3. PART 3 - EXECUTION.
 - a. General Wiring Methods.
 - b. Wiring Installation In Raceways.
 - c. Free-Air Cable Installation.
 - d. Wiring Connections and Terminations.
 - e. Field Quality Control.

1.2 RELATED WORK

- A. Applicable provisions of Division 1 govern work under this Section.
- B. Section 260533 - Raceway and Boxes for Electrical Systems.
- C. Section 260553 - Identification for Electrical Systems.

1.3 REFERENCES

- A. NFPA 70 - National Electrical Code.

1.4 SUBMITTALS

- A. Refer to applicable sections in Bidding Requirements and Division 1 - General Requirements, for submittal procedures.
- B. Submit product data: Provide for each cable assembly type.
- C. Submit manufacturer's installation instructions. Indicate application conditions and limitations of use stipulated by product testing agency specified under Regulatory Requirements.

1.5 PROJECT CONDITIONS

- A. Verify that field measurements are as shown on Drawings.
- B. Conductor sizes are based on copper.
- C. Wire and cable routing shown on Drawings is approximate unless dimensioned. Route wire and cable as required to meet Project Conditions.
- D. Where wire and cable routing is not shown, and destination only is indicated, determine exact routing and lengths required.

PART 2 PRODUCTS

2.1 GENERAL

- A. All wire shall be new, delivered to the site in unbroken cartons and shall be less than one year old out of manufacturer's stock.
- B. All conductors shall be copper.
- C. Insulation shall have a 600 volt rating.
- D. All conductors must be suitable for the application intended. Conductors #12 and smaller may be solid or stranded with the following requirements or exceptions:
 - 1. All conductors terminated with crimp type devices must be stranded.
 - 2. Stranded conductors may only be terminated with UL OR ETL Listed type terminations or methods: e.g. stranded conductors may not be wrapped around a terminal screw but must be terminated with a crimp type device or must be terminated in an approved back wired method.

2.2 REMOTE CONTROL AND SIGNAL CABLE

- A. Refer to Drawings for requirements for cable to be used on fire alarm systems.
- B. Refer to Drawings for requirements for cable to be used on communication systems.
- C. All other systems cabling shall meet the requirements of NEC Article 725 and the following:
 - 1. Control Cable for Class 1 Remote Control and Signal Circuits: 600 volt insulation, individual conductors twisted together, shielded, and covered with an overall PVC jacket. Cable shall be Listed, temperature rated, and plenum or non-plenum rated for the application as required in the National Electrical Code.
 - 2. Control Cable for Class 2 or Class 3 Remote Control and Signal Circuits shall be constructed, Listed, temperature rated, and plenum or non-plenum rated for the application as required in the NEC Article 725.

2.3 WIRING CONNECTORS

- A. Split Bolt Connectors: Not acceptable.
- B. Spring Wire Connectors: Solderless spring type pressure connector with insulating covers for copper wire splices and taps. Use for conductor sizes 10 AWG and smaller.
- C. All wire connectors used in underground or exterior pull boxes shall be gel filled twist connectors or a connector designed for damp and wet locations.

PART 3 EXECUTION

3.1 GENERAL WIRING METHODS

- A. Low voltage control and signal cables shall be installed in conduit. However, they may be installed without conduit above accessible ceilings if the cable meets NEC requirements for the application, unless specified to be in conduit in other sections of the specifications. See requirements for free-air cabling installation below.
- B. Control cables for controlling HVAC and lighting equipment connected to emergency power shall be routed in raceway.
- C. Do not use wire smaller than 14 AWG for control wiring greater than 60 volts, or 18 AWG for voltages less than 60 volts, all sizes subject to NEC 725 requirements.
- D. Splice only in junction boxes.
- E. Identify wire per section 260553.
- F. Neatly train and lace wiring inside boxes, and equipment.

3.2 WIRING INSTALLATION IN RACEWAYS

- A. Pull all conductors into a raceway at the same time. Use Listed wire pulling lubricant for pulling conditions when necessary.
- B. Install wire in raceway after interior of building has been physically protected from the weather and all mechanical work likely to injure conductors has been completed.
- C. Completely and thoroughly swab raceway system before installing conductors.

3.3 FREE-AIR CABLE INSTALLATION

- A. When permitted in exposed ceiling areas, 'Free-Air' wiring runs shall avoid areas of high traffic (i.e. aisle way), shall be run as close as possible to outlining walls and shall be a minimum of ten (10) feet above finished floor.
- B. Cabling shall be neatly run at right angles and be kept clear of other trades work.
- C. Cabling shall be supported at a maximum of 4-foot intervals utilizing 'bridal-type' mounting rings anchored to ceiling concrete, piping supports or structural steel beams. If cable sag at mid-span exceeds 12-inches, another support shall be provided. Mounting rings shall be designed to maintain cables bend to larger than the minimum bed radius (typically 4 x cable diameter).
- D. Cabling shall not be attached to or supported by existing cabling, plumbing or steam piping, ductwork, suspended ceiling supports or electrical conduit. Additionally, cabling shall not be laid directly on the ceiling grid.
- E. To reduce or eliminate Electro-Magnetic Interference (EMI), the following minimum separation distances for 'Free-Air' cabling installations shall be adhered to:
 - 1. Twelve (12) inches from power lines of less than 5kV.
 - 2. Thirty-nine (39) inches from power lines of 5kV or greater.
 - 3. Eighteen (18) inches from lighting fixtures.
 - 4. Thirty-nine (39) inches from transformers and motors.
- F. A coil of 2 feet in each cable shall be placed in the ceiling at each 'free-air' wired device. These coils shall be secured (wire tied) at the last cable support before the cable reaches the device and shall be coiled from 100% to 200% of the cable recommended minimum bend radius.
- G. All cable shall be free of tension at both ends. Nylon strain relief connectors shall be provided at each device and junction box where cables enter. In cases where the cable must bear some stress, Kellum type grips may be used to spread the strain over a longer length of cable.
- H. Cable manufacturers minimum bend radius shall be observed in all instances. Care should be taken in the use of cable ties to secure and anchor the station cabling. Ties should not be over tightened as to compress the cable jacket. No sharp burrs should remain where excess length of the cable tie has been cut.
- I. All exposed vertical cable extensions to devices located below the finished ceiling shall be in conduit.
- J. Provide protection for exposed cables where subject to damage.
- K. Use suitable cable fittings and connectors.

3.4 WIRING CONNECTIONS AND TERMINATIONS

- A. Splice only in accessible junction boxes.
- B. All splices shall be so made that they have an electrical resistance not in excess of two feet (600 mm) of the conductor.
- C. Use solderless spring type pressure connectors with insulating covers for wire splices and taps, 10 AWG and smaller.
- D. Thoroughly clean wires before installing lugs and connectors.

- E. At all splices and terminations, leave tails long enough to cut splice out and completely re-splice.

3.5 FIELD QUALITY CONTROL

- A. Field inspection and testing will be performed under provisions of Section 260504.

END OF SECTION

SECTION 260526

GROUNDING AND BONDING FOR ELECTRICAL SYSTEMS

PART 1 GENERAL

1.1 SCOPE

- A. The work under this section includes grounding electrodes and conductors, equipment grounding conductors, and bonding. Included are the following topics:
 - 1. PART 1 - GENERAL.
 - a. Scope.
 - b. Related Work.
 - c. References.
 - d. Performance Requirements.
 - e. Submittals.
 - f. Project Record Documents.
 - g. Regulatory Requirements.
 - 2. PART 2 - PRODUCTS.
 - a. Rod Electrode.
 - b. Mechanical Connectors.
 - c. Compression Connectors.
 - d. Exothermic Connections.
 - e. Wire.
 - f. Bus.
 - 3. PART 3 - EXECUTION.
 - a. Examination.
 - b. General.
 - c. Less Than 600 Volt System Grounding.
 - d. Field Quality Control.

1.2 RELATED WORK

- A. Applicable provisions of Bidding Requirements and Division 1 - General Requirements govern work under this Section.

1.3 REFERENCES

- A. NFPA 70 - National Electrical Code.
- B. ANSI/IEEE 142 (Latest edition) - Recommended Practice for Grounding of Industrial and Commercial Power Systems.

1.4 PERFORMANCE REQUIREMENTS

- A. Grounding System Resistance: 2 ohms maximum at building service entrance.
- B. Testing of grounding system resistance is to be witnessed by the Engineer / Owner Representative. Provide test report of grounding system resistance in final O&M manuals.

1.5 SUBMITTALS

- A. Refer to applicable sections in Bidding Requirements and Division 1 - General Requirements.
- B. Product Data: Provide data for grounding electrodes and connections.
- C. Test Reports: Indicate overall resistance to ground and resistance of each electrode.
- D. Manufacturer's Instructions: Include instructions for preparation, installation and examination of exothermic connectors.

1.6 PROJECT RECORD DOCUMENTS

- A. Accurately record actual locations of grounding electrodes.

1.7 REGULATORY REQUIREMENTS

- A. Conform to requirements of NFPA 70.
- B. Furnish products listed and classified by Underwriters Laboratories, Inc. or testing firm acceptable to authority having jurisdiction as suitable for purpose specified and shown.

PART 2 PRODUCTS

2.1 ROD ELECTRODE

- A. Material: Copper-clad steel.
- B. Diameter: 3/4 inch (19 mm) minimum.
- C. Length: 10 feet (3.5 m) minimum. Rod shall be driven at least 9' 6" deep.

2.2 MECHANICAL CONNECTORS

- A. The mechanical connector bodies shall be manufactured from high strength; high conductivity cast copper alloy material. Bolts, nuts, washers and lock washers shall be made of Silicon Bronze and supplied as a part of the connector body and shall be of the two bolt type.
- B. Split bolt connector types are NOT allowed. Exception: The use of split bolts is acceptable for grounding of wire-basket type cable tray, and for cable shields/straps of medium voltage cable.
- C. The connectors shall meet or exceed UL 467 and be clearly marked with the catalog number, conductor size and manufacturer.

2.3 COMPRESSION CONNECTORS

- A. The compression connectors shall be manufactured from pure wrought copper. The conductivity of this material shall be no less than 99% by IACS standards.
- B. The connectors shall meet or exceed the performance requirements of IEEE 837, latest revision.
- C. The installation of the connectors shall be made with a compression, tool and die system, as recommended by the manufacturer of the connectors.
- D. The connectors shall be clearly marked with the manufacturer, catalog number, conductor size and the required compression tool settings.
- E. Each connector shall be factory filled with an oxide-inhibiting compound.

2.4 EXOTHERMIC CONNECTIONS

- A. Manufacturers:
 - 1. Cadweld: www.Cadweld.com.

2.5 WIRE

- A. Material: Stranded copper (aluminum not permitted).
- B. Grounding Electrode Conductor: Size as shown on drawings, specifications or as required by NFPA 70, whichever is larger.
- C. Foundation Electrodes: As shown on drawings.
- D. Primary Manhole, Main Switchgear room and Vault Bonding: No. 4/0 minimum.
- E. Feeder and Branch Circuit Equipment Ground: Size as shown on drawings, specifications or as required by NFPA 70, whichever is larger. Differentiate between the normal ground and the isolated ground when both are used on the same facility.

2.6 BUS

- A. Material: Copper (aluminum not permitted).
- B. Size: 1/4" X 2" minimum.

PART 3 EXECUTION

3.1 EXAMINATION

- A. Verify that final backfill and compaction has been completed before driving rod electrodes.

3.2 GENERAL

- A. Install Products in accordance with manufacturer's instructions.
- B. Mechanical connections shall be accessible for inspection and checking. No insulation shall be installed over mechanical ground connections.
- C. Ground connection surfaces shall be cleaned and all connections shall be made so that it is impossible to move them.
- D. Attach grounds permanently before permanent building service is energized.
- E. All grounding electrode conductors shall be installed in PVC conduit, in exposed locations.

3.3 LESS THAN 600 VOLT SYSTEM GROUNDING

- A. Supplementary Grounding Electrode: Use driven ground rod on exterior of building. Use effectively grounded metal frame of the building.
- B. Provide code sized copper grounding electrode conductor from secondary switchboard ground bus, each separately derived system neutral, secondary service system neutral to street side of water meter, building steel, ground rod, and any concrete encased electrodes. Provide bonding jumper around water meter.
- C. Bond together system neutrals, service equipment enclosures, exposed non-current carrying metal parts of electrical equipment, metal raceway systems, grounding conductor in raceways and cables, receptacle ground connectors, and plumbing systems.
- D. Install ground grid under access floors where indicated. Construct grid of #4 AWG bare copper wire installed on 72 inch centers both ways. Bond each access floor support pedestal to grid.
- E. Bond together each metallic raceway, pipe, duct and other metal object entering space under access floors. Bond to under floor ground grid. Use #4 AWG bare copper conductor.
- F. Equipment Grounding Conductor: Provide separate, insulated equipment grounding conductor within each raceway. Terminate each end on suitable lug, bus, enclosure or bushing. Provide a ground wire from each device to the respective enclosure.
- G. Provide communications system grounding conductor at point of service entrance and connect to building common grounding electrode system.
- H. Telecommunications and Audio Visual systems shall be installed with an isolated grounding system which has only one ground point. That ground point is to be the common grounding electrode system at the electrical service entrance for the building. Contractor is to provide an isolated grounding conductor from the electrical service entrance of the building to each Telecommunications Grounding Bus Bar (TGBB) in each Telecommunication Room. Use a minimum No. 2/0 AWG copper conductor, or as indicated on the plans, for the telecommunications service grounding conductor. Leave 10 feet slack grounding conductor at each Telecommunications Room. The grounding conductor MUST NOT be attached to building steel (except as allowed at the main electrical service entrance).
- I. Telecommunications Equipment Rack Grounding: Use a #6 or larger AWG copper conductor from all telecommunications cabinets and racks to the Telecommunications Grounding Bus Bar (TGBB) in each Telecommunication Room.

3.4 FIELD QUALITY CONTROL

- A. Inspect grounding and bonding system conductors and connections for tightness and proper installation.

END OF SECTION

SECTION 260529

HANGERS AND SUPPORTS FOR ELECTRICAL SYSTEMS

PART 1 GENERAL

1.1 SCOPE

- A. The work under this section includes conduit and equipment supports, straps, clamps, steel channel, etc, and fastening hardware for supporting electrical work. Included are the following topics:
 - 1. PART 1 – GENERAL.
 - a. Scope.
 - b. Related Work.
 - c. Submittals.
 - d. Quality Assurance.
 - 2. PART 2 – PRODUCTS.
 - a. Material.
 - 3. PART 3 – EXECUTION.
 - a. Installation.

1.2 RELATED WORK

- A. Applicable provisions of Bidding Requirements and Division 1 - General Requirements govern work under this section.

1.3 SUBMITTALS

- A. Refer to applicable sections in Bidding Requirements and Division 1 - General Requirements.
- B. Product Data: Provide data for support channel.

1.4 QUALITY ASSURANCE

- A. Support systems shall be adequate for weight of equipment and conduit, including wiring, which they carry.

PART 2 PRODUCTS

2.1 MATERIAL

- A. Support Channel: Steel, Galvanized, Enameled or other corrosion resistant.
- B. Hardware: Corrosion resistant.
- C. Minimum sized threaded rod for supports shall be 3/8" for trapezes and single conduits 1-1/4" and larger, and 1/4" for single conduits 1" and smaller.
- D. Conduit clamps, straps, supports, etc., shall be steel or malleable iron. One-hole straps shall be heavy duty type. All straps shall have steel or malleable backing plates when rigid steel conduit is installed on the interior or exterior surface of any exterior building wall.

PART 3 EXECUTION

3.1 INSTALLATION

- A. Fasten hanger rods, conduit clamps, outlet, junction and pull boxes to building structure using pre-cast insert system, preset inserts, beam clamps, expansion anchors, or spring steel clips (interior metal stud walls only).
- B. Use toggle bolts or hollow wall fasteners in hollow masonry, plaster, or gypsum board partitions and walls; expansion anchors or preset inserts in solid masonry walls; self-drilling anchors or expansion anchors on concrete surfaces; sheet metal screws in sheet metal studs and wood screws in wood construction. If nail-in anchors are used, they must be removable type anchors.

- C. **Powder-actuated fasteners and plastic wall anchors are not permitted.**
- D. File and de-bur cut ends of support channel and spray paint with cold galvanized paint to prevent rusting.
- E. Do not fasten supports to piping, ductwork, mechanical equipment, cable tray or conduit. Do not fasten to suspended ceiling grid system.
- F. Do not drill structural steel members unless approved by Owner.
- G. Fabricate supports from galvanized structural steel or steel channel, rigidly welded or bolted to present a neat appearance. Use hexagon head bolts with spring lock washers under all nuts.
- H. In wet locations, mechanical rooms and electrical rooms install free-standing electrical equipment on 3.5 inch concrete pads.
- I. Install surface-mounted cabinets and panelboards with minimum of four anchors. Provide steel channel supports to stand cabinet one inch off wall (7/8" Uni-strut or 3/4" painted, fire-retardant plywood is acceptable).
- J. Bridge studs top and bottom with channels to support flush-mounted cabinets and panelboards in stud walls.
- K. Furnish and install all supports as required to fasten all electrical components required for the project, including free standing supports required for those items remotely mounted from the building structure, catwalks, walkways etc.

END OF SECTION

SECTION 260533

RACEWAY AND BOXES FOR ELECTRICAL SYSTEMS

PART 1 GENERAL

1.1 SCOPE

- A. The work under this section includes conduits, surface raceways, multi-outlet assemblies, auxiliary gutters, wall duct, and boxes for electrical systems including wall and ceiling outlet boxes, floor boxes, and junction boxes. Included are the following topics:
 - 1. PART 1 - GENERAL.
 - a. Scope.
 - b. Related Work.
 - c. Submittals.
 - 2. PART 2 - PRODUCTS.
 - a. Rigid Metal Conduit and Fittings.
 - b. PVC Coated Rigid Metal Conduit.
 - c. Intermediate Metal Conduit (IMC) and Fittings.
 - d. Electrical Metallic Tubing (EMT) and Fittings.
 - e. Flexible Metal Conduit and Fittings.
 - f. Liquidtight Flexible Metal Conduit and Fittings.
 - g. Rigid Nonmetallic Conduit and Fittings
 - h. Conduit Supports.
 - i. Auxiliary Gutters (Wireways).
 - j. Outlet Boxes.
 - k. Pull and Junction Boxes.
 - l. General.
 - 3. PART 3 - EXECUTION.
 - a. Conduit Sizing, Arrangement and Support.
 - b. Conduit Installation.
 - c. Conduit Installation Schedule.
 - d. Coordination of Box Locations.
 - e. Outlet Box Installation.
 - f.
 - g. Pull and Junction Box Installation.

1.2 RELATED WORK

- A. Applicable provisions of Bidding Requirements and Division 1 - General Requirements govern work under this section.
- B. Section 260529 - Hangers and Supports for Electrical Systems.
- C. Section 262726 - Wiring Devices.
- D. Section 262702 - Equipment Wiring Systems.
- E. Drawings - Fire System.
- F. Drawings, for Communications Cable and Equipment.

1.3 SUBMITTALS

- A. Refer to applicable sections in Bidding Requirements and Division 1 - General Requirements.
- B. Surface Raceway System - submit product data and catalog sheets for all components.
- C. Boxes - provide product data showing configurations, finishes, dimensions, and manufacturer's instructions.

PART 2 PRODUCTS

2.1 RIGID METAL CONDUIT AND FITTINGS

- A. Conduit: Heavy wall, galvanized steel, schedule 40, threaded.
- B. Fittings and Conduit Bodies: Use all steel threaded fittings and conduit bodies.

2.2 PVC COATED RIGID METAL CONDUIT

- A. PVC Externally Coated Conduit: Rigid heavy wall, schedule 40, steel conduit with external 40 mil PVC coating. Conduit must be hot dipped galvanized inside and out including threads. The PVC coating bond to the galvanized steel conduit shall be stronger than the tensile strength of the coating itself.
- B. Fittings and Conduit Bodies: Threaded type, material to match conduit. PVC coated fittings and couplings shall have specially formed sleeves to tightly seal to conduit PVC coating. The sleeves shall extend beyond the fitting or coupling a distance equal to the pipe outside steel diameter or two inches whichever is greater.

2.3 INTERMEDIATE METAL CONDUIT (IMC) AND FITTINGS

- A. Conduit: Galvanized steel, threaded.
- B. Fittings and Conduit Bodies: Use all steel threaded fittings and conduit bodies.

2.4 ELECTRICAL METALLIC TUBING (EMT) AND FITTINGS

- A. Conduit: Steel, galvanized tubing.
- B. Fittings: All steel, set screw, concrete tight. No push-on or indenter types permitted.
- C. Conduit Bodies: All steel threaded conduit bodies.

2.5 FLEXIBLE METAL CONDUIT AND FITTINGS

- A. Conduit: Steel, galvanized, spiral strip.
- B. Fittings and Conduit Bodies: All steel, galvanized, or malleable iron (except as allowed in specification 265113).

2.6 LIQUIDTIGHT FLEXIBLE METAL CONDUIT AND FITTINGS

- A. Conduit: Flexible, steel, galvanized, spiral strip with an outer Liquidtight, nonmetallic, sunlight-resistant jacket.
- B. Fittings and Conduit Bodies: ANSI/NEMA FB 1, compression type. There shall be a metallic cover/insert on the end of the conduit inside the connector housing to seal the cut conduit end.

2.7 RIGID NONMETALLIC CONDUIT AND FITTINGS

- A. Conduit: Schedule 40 PVC minimum, Listed, sunlight resistant, rated for 90 °C conductors.
- B. Fittings and Conduit Bodies: NEMA TC 2, Listed.

2.8 CONDUIT SUPPORTS

- A. See Section 260529.

2.9 AUXILIARY GUTTERS (WIREWAYS)

- A. Description: Oil-tight and dust-tight type wireway without knockouts.
- B. Size: as required.
- C. Cover: Screw applied
- D. Connector: screw applied cover.

- E. Fittings: Lay-in type with removable top, bottom, and side; captive screws. Finish: Rust inhibiting primer coat with gray enamel finish.

2.10 OUTLET BOXES

- A. Sheet Metal Outlet Boxes: Galvanized steel, with stamped knockouts.
- B. Luminaire and Equipment Supporting Boxes: Rated for weight of equipment supported; include 3/8 inch male fixture studs where required.
- C. Concrete Ceiling Boxes: Concrete type.
- D. Cast Boxes: Cast ferroalloy, or aluminum type deep type, gasketed cover, threaded hubs.

2.11 PULL AND JUNCTION BOXES

- A. Pull boxes and junction boxes shall be minimum 4 inch square by 2-1/8 inches deep for use with 1 inch conduit and smaller. On conduit systems using 1-1/4 inch conduit or larger, pull and junction boxes shall be sized per NEC but not less than 4-11/16 inch square.
- B. For telecommunication, fiber optic, security, and other low voltage cable installations the NEC box size requirements shall apply. All boxes, used on telecommunication, security, other low voltage and fiber optic systems with conduits of 1-1/4 inch and larger, shall be sized per the NEC conduit requirements. For determining box size, the conduit is the determining factor not the wire size.
- C. Sheet Metal Boxes: Code gauge galvanized steel, screw covers, flanged and spot welded joints and corners.
- D. Sheet Metal Boxes Larger than 12 inches in any dimension shall have a hinged cover or a chain installed between box and cover.
- E. Cast Metal Boxes for Outdoor and Wet Location Installations: Type 4 and Type 6, flat-flanged, surface-mounted junction box, UL listed as raintight. Galvanized cast iron or aluminum box and cover with ground flange, neoprene gasket, and stainless steel cover screws.
- F. Fiberglass or Concrete Handholes with weatherproof cover of non-skid finish shall be used for underground installations.
- G. Box extensions and adjacent boxes within 48 inches of each other are not allowed for the purpose of creating more wire capacity.
- H. Junction boxes 6" x 6" or larger size shall be without stamped knock-outs.
- I. Wireways shall not be used in lieu of junction boxes.

2.12 GENERAL

- A. All steel fittings and conduit bodies shall be galvanized.
- B. No cast metal or split-gland type fittings permitted.
- C. Mogul-type condulets larger than 2 inch not permitted except as approved or detailed.
- D. All conduit covers must be fastened to the conduit body with screws and be of the same manufacturer.
- E. Wireways, gutters and c-condulets shall not be used in lieu of pull boxes and condulets.
- F. All boxes shall be of sufficient size to provide free space for all conductors enclosed in the box and shall comply with NEC requirements.

PART 3 EXECUTION

3.1 CONDUIT SIZING, ARRANGEMENT, AND SUPPORT

- A. EMT is permitted to be used in sizes 4 inch and smaller for power and telecommunication systems. See CONDUIT INSTALLATION SCHEDULE below for other limitations for EMT and other types of conduit.
- B. Size power conductor raceways for conductor type installed. Conduit size shall be 1/2 inch minimum except all homerun conduits shall be 3/4 inch, or as specified elsewhere. Caution: Per the NEC, the allowable conductor ampacity is reduced when more than three current-carrying conductors are installed in a raceway. Contractor must take the NEC ampacity adjustment factors into account when sizing the raceway and wiring system.
- C. Size conduit for all other wiring, including but not limited to data, control, security, fire alarm, telecommunications, signal, video, etc. shall be sized per number of conductors pulled and their cross-section. 40% fill shall be maximum for all new conduit fills.
- D. Arrange conduit to maintain headroom and present a neat appearance.
- E. Route exposed conduit and conduit above accessible ceilings parallel and perpendicular to walls and adjacent piping.
- F. Maintain minimum 6 inch clearance between conduit and piping. Maintain 12 inch clearance between conduit and heat sources such as flues, steam pipes, and heating appliances.
- G. Arrange conduit supports to prevent distortion of alignment by wire pulling operations. Fasten conduit using galvanized pipe straps, conduit racks (lay-in adjustable hangers), clevis hangers, or bolted split stamped galvanized hangers.
- H. Group conduit in parallel runs where practical and use conduit rack (lay-in adjustable hangers) constructed of steel channel with conduit straps or clamps. Provide space for 25 percent additional conduit.
- I. Do not fasten conduit with wire or perforated pipe straps. Before conductors are pulled, remove all wire used for temporary conduit support during construction.
- J. Support and fasten metal conduit at a maximum of 8 feet on center.
- K. Supports shall be independent of the installations of other trades, e.g. ceiling support wires, HVAC pipes, other conduits, etc., unless so approved or detailed.
- L. In general, all conduit shall be concealed except where noted on the drawings or approved by the Architect/Engineer. Contractor shall verify with Architect/Engineer all surface conduit installations except in mechanical rooms.
- M. Changes in direction shall be made with symmetrical bends, cast steel boxes, stamped metal boxes or cast steel conduit bodies.
- N. For indoor conduits, no continuous conduit run shall exceed 100 feet without a junction box.
- O. All conduits installed in exposed areas shall be installed with a box offset before entering box.

3.2 CONDUIT INSTALLATION

- A. Cut conduit square; de-burr cut ends.
- B. Conduit shall not be fastened to the corrugated metal roof deck.
- C. Bring conduit to the shoulder of fittings and couplings and fasten securely.
- D. Use conduit hubs for fastening conduit to cast boxes. Use sealing locknuts or conduit hubs for fastening conduit to sheet metal boxes in damp or wet locations.

- E. All conduit terminations (except for terminations into conduit bodies) shall use conduit hubs, or connectors with one locknut, or shall use double locknuts (one each side of box wall) and insulated bushing. Provide bushings for the ends of all conduit not terminated in box walls. Refer to Section 260526 – Grounding and Bonding for Electrical Systems for grounding bushing requirements.
- F. Install no more than the equivalent of three 90 degree bends between boxes.
- G. Use hydraulic one-shot conduit bender or factory elbows for bends in conduit larger than 2 inch (50 mm) size unless sweep elbows are required.
- H. Conduit shall be bent according to manufacturer's recommendations. Torches or open flame shall not be used to aid in bend of PVC conduit.
- I. Use suitable conduit caps or other approved seals to protect installed conduit against entrance of dirt and moisture.
- J. Provide 1/8 inch (3 mm) nylon pull string in empty conduit, except sleeves and nipples.
- K. Install expansion-deflection joints where conduit crosses building expansion joints. Note: expansion-deflection joints are not required where conduit crosses building control joints if the control joint does not act as an expansion joint. Install expansion fitting in PVC conduit runs as recommended by the manufacturer.
- L. Avoid moisture traps where possible. Where moisture traps are unavoidable, provide junction boxes with drain fittings at conduit low points.
- M. Where conduit passes between areas of differing temperatures such as into or out of cool rooms, freezers, unheated and heated spaces, buildings, etc., provide Listed conduit seals to prevent the passage of moisture and water vapor through the conduit.
- N. Route conduit through roof openings for piping and ductwork where possible.
- O. Conduit is not permitted in any slab topping of two inches or less.
- P. Ground and bond conduit under provisions of Section 260526.
- Q. Maximum Size Conduit in Slabs Above Grade: 3/4 inch. Do not route conduits to cross each other in slabs above grade.
- R. PVC conduit shall transition to galvanized rigid metal conduit before it enters a concrete pole base, foundation, wall (where exposed) or up through a concrete floor.
- S. Identify conduit under provisions of Section 260553.
- T. All conduit installed underground (exterior to building) shall be buried a minimum of 24 inches below finished grade, whether or not the conduit is concrete encased.
- U. PVC conduit shall be cleaned with solvent, and dried before application of glue. The temperature rating of glue/cement shall match weather condition. Apply full even coat of cement/glue to entire area that will be inserted into fitting. The entire installation shall meet manufacturers recommendations.

3.3 CONDUIT INSTALLATION SCHEDULE

- A. Conduit other than that specified below for specific applications shall not be used.
- B. Underground Installations within Five Feet of Foundation Wall: Rigid steel conduit.
- C. Underground Installations More than Five Feet from Foundation Wall: Rigid steel conduit. Plastic-coated rigid steel conduit. Schedule 40 PVC conduit.
- D. Under Slab on Grade Installations: Schedule 40 PVC conduit.
- E. Exposed Outdoor Locations: Rigid steel conduit.

- F. Concealed in Concrete and Block Walls: Rigid steel conduit. Electrical metallic tubing. Schedule 40 PVC conduit.
- G. Within Concrete Slab: Rigid steel conduit. Schedule 40 PVC conduit.
- H. Wet Interior Locations: Rigid steel conduit, PVC coated rigid steel conduit.
- I. Concealed Dry Interior Locations: Rigid steel conduit. Intermediate metal conduit. Electrical metallic tubing.
- J. Exposed Dry Interior Locations: Rigid steel conduit. Intermediate metal conduit. Electrical metallic tubing.
- K. Motor and equipment connections: Flexible PVC coated metal conduit (all locations). Minimum length shall be one foot; maximum length shall be three feet. Conduit must be installed perpendicular to direction of equipment vibration to allow conduit to freely flex.
- L. Light fixtures: Direct box or conduit connection for surface mounted and recessed fixtures. Flexible metal conduit from a J-box for recessed lay-in light fixtures. Conduit size shall be 3/8 inch minimum diameter and six foot maximum length. Conduit length shall allow movement of fixture for maintenance purposes.
- M. Medium Voltage Applications (Interior Locations): Rigid steel conduit.

3.4 COORDINATION OF BOX LOCATIONS

- A. Provide electrical boxes as shown on Drawings, and as required for splices, taps, wire pulling, equipment connections, and code compliance.
- B. Electrical box locations shown on Contract Drawings are approximate unless dimensioned. Verify location of floor boxes and outlets in offices and work areas prior to rough-in.
- C. No outlet, junction, or pull boxes shall be located where it will be obstructed by other equipment, piping, lockers, benches, counters, etc.
- D. Boxes shall not be fastened to the metal roof deck.
- E. It shall be the Contractor's responsibility to study drawings pertaining to other trades, to discuss location of outlets with workmen installing other piping and equipment and to fit all electrical outlets to job conditions.
- F. In case of any question or argument over the location of an outlet, the Contractor shall refer the matter to the Architect/Engineer and install outlet as instructed by the Architect/Engineer.
- G. The proper location of each outlet is considered a part of this contract and no additional compensation will be paid to the Contractor for moving outlets which were improperly located.
- H. Locate and install boxes to allow access to them. Where installation is inaccessible, coordinate locations and provide 18 inch by 24 inch access doors.
- I. Locate and install to maintain headroom and to present a neat appearance.
- J. Install boxes to preserve fire resistance rating of partitions and other elements, using approved materials and methods.

3.5 OUTLET BOX INSTALLATION

- A. Do not install boxes back-to-back in walls. Provide minimum 6 inch separation, except provide minimum 24 inch separation in acoustic-rated walls.
- B. Power:
 - 1. Recessed (1/4" maximum) outlet boxes in masonry, concrete or tile construction shall be minimum 4 inch square, with device rings. Device covers shall be square-cut except rounded corner plaster rings are allowed in drywall applications. Angle cut plaster rings are not permitted. Coordinate masonry cutting to achieve neat openings for boxes.

- C. Low Voltage:
 - 1. Recessed (1/4" maximum) outlet boxes in masonry, concrete or tile construction shall be minimum 4-11/16 inch square, 2-1/8 inch deep. Device covers shall be square-cut except rounded corner plaster rings are allowed in drywall applications. Angle cut plaster rings are not permitted. Coordinate masonry cutting to achieve neat openings for boxes.
- D. Provide knockout closures for unused openings.
- E. Support boxes independently of conduit except for cast boxes that are connected to two rigid metal conduits, both supported within 12 inches of box.
- F. Use multiple-gang boxes where more than one device are mounted together; do not use sectional boxes. Provide non-metallic barriers to separate wiring of different voltage systems.
- G. Install boxes in walls without damaging wall insulation.
- H. Coordinate mounting heights and locations of outlets mounted above counters, benches, and backsplashes. Devices mounted above a countertop shall be oriented horizontally.
- I. Ceiling outlets shall be 4 inch square, minimum 2-1/8 inch deep except that concrete boxes and plates will be approved where applicable. Position outlets to locate luminaires as shown on reflected ceiling plans.
- J. In inaccessible ceiling areas, position outlets and junction boxes within 6 inches of recessed luminaire, to be accessible through luminaire ceiling opening.
- K. Provide recessed outlet boxes in finished areas; secure boxes to interior wall and partition studs, accurately positioning to allow for surface finish thickness. Use stamped steel stud bridges for flush outlets in hollow stud wall, and adjustable steel channel fasteners for flush ceiling outlet boxes.
- L. Align wall-mounted outlet boxes for switches, thermostats, and similar devices.
- M. Provide cast ferroalloy or aluminum outlet boxes in exterior and wet locations.
- N. Surface wall outlets shall be 4 inch square with raised covers for one and two gang requirements. For three gang or larger requirements, use gang boxes with non-overlapping covers.

3.6 PULL AND JUNCTION BOX INSTALLATION

- A. Locate pull boxes and junction boxes above accessible ceilings, in unfinished areas or furnish and install Owner approved access panels in non-accessible ceilings where boxes are installed. All boxes are to be readily-accessible.
- B. Support pull and junction boxes independent of conduit.

END OF SECTION

INTENTIONALLY LEFT BLANK

SECTION 260553

IDENTIFICATION FOR ELECTRICAL SYSTEMS

PART 1 GENERAL

1.1 SCOPE

A . The work under this section includes the products and execution requirements relating to labeling of power, lighting, general wiring, signal, fire alarm, and telecommunications wire and cabling. Further, this section includes labeling of all terminations and related sub-systems, including but not limited to nameplates, stenciling, wire and cable marker labeling of all backbone fiber optic (inter-building, tie & riser) cables, terminating equipment and labeling of inner duct (fiber optic). Included are the following topics:

1. PART 1 - GENERAL.
 - a. Scope.
 - b. Related Work.
 - c. Submittals.
2. PART 2 - PRODUCTS.
 - a. Materials.
3. PART 3 - EXECUTION.
 - a. General.
 - b. Junction and Pullbox Identification.
 - c. Power and Control Wire Identification.
 - d. Wiring Device Identification.
 - e. Nameplate Engraving.
 - f. Panelboard Directories.

1.2 RELATED WORK

- A . Applicable provisions of Bidding Requirements and Division 1 - General Requirements govern work under this section.
- B . Section 260519 - Low-Voltage Electrical Power Conductors and Cables.
- C . Section 260523 - Control-Voltage Electrical Power Cables.
- D . Division 27, for Communications Cable and Equipment.

1.3 SUBMITTALS

- A . Refer to applicable sections in Bidding Requirements and Division 1 - General Requirements.
- B . Include schedule for nameplates and stenciling.
- C . Prior to installation, the Contractor shall provide samples of all label types planned for the project. These samples shall include examples of the lettering to be used. Samples shall be mounted on 8-1/2" x 11" sheets annotated, explaining their purposed use.

PART 2 PRODUCTS

2.1 MATERIALS

- A . Labels: All labels shall be permanent, and machine generated. NO HANDWRITTEN OR NON-PERMANENT LABELS ARE ALLOWED. Exception: Back side of device plates and junction boxes may use handwritten, legible labeling on box covers, unless specifically prohibited by other specification sections.
- B . Cable label size shall be appropriate for the conductor or cable size(s), outlet faceplate layout and patch panel design. All labels shall be self-laminating, white/transparent vinyl and be wrapped around the cable or sheath. Labels for power conductors (600V and lower) shall be cloth-type. Flag type labels are not allowed. The labels shall be of adequate size to accommodate the circumference of the cable being labeled and properly self-laminate over the

full extent of the printed area of the label.

- C . Nameplates: Engraved three layer laminated plastic, black letters on a white background. Emergency system (level 1 and level 2) shall use white letters on red background.
- D . Tape (phase identification only): Scotch #35 tape in appropriate colors for system voltage and phase.
- E . Adhesive type labels not permitted except for phase and wire identification. Machine generated adhesive labels shall be permitted for device plates, 4-11/16 inch and smaller junction boxes, fire alarm and control devices.

PART 3 EXECUTION

3.1 GENERAL

- A . Where mixed voltages are used in one building (e.g. 4160 volt, 480 volt, 208 volt) each switch, switchboard, junction box, equipment, etc., on each system must be labeled for voltage in addition to other requirements listed herein.
- B . All branch circuit and power panels must be identified with the same symbol used in circuit directory in main distribution center.
- C . Clean all surfaces before attaching labels with the label manufacturer's recommended cleaning agent.
- D . Install all labels firmly as recommended by the label manufacturer.
- E . Labels shall be installed plumb and neatly on all equipment.
- F . Install nameplates parallel to equipment lines.
- G . Secure nameplates to equipment fronts using screws, rivets or manufacturer approved adhesive or cement.
- H . Embossed tape will not be permitted for any application.

3.2 JUNCTION AND PULLBOX IDENTIFICATION

- A . The following junction and pullboxes shall be identified utilizing spray painted covers:

| System | Color(s) |
|---|-----------------|
| Secondary Power – 480Y/277V | Brown |
| Secondary Power – 208Y/120V, 240/120V | White |
| Emergency Power – 480Y/277V | Brown/Red |
| Emergency Power – 208Y/120V | White/Red |
| Fire Alarm | Red |
| Temperature Control | Green |
| Door Control and Door Monitoring System | Orange |
| Sound and Intercom Systems | Blue |
| Video Surveillance System/MATV | Yellow |
- B . Provide circuit numbers, and source panel designations for power wiring. Other system shall be identified as shown on details or approved shop drawings. Temperature control shall identify the source.
- C . Telecommunication Rooms identifiers shall be unique in each building.
- D . Telecommunications Outlets are to be labeled 1) on the cover of the assembly and 2) on each cable terminated at that location.
- E . All new outlet faceplates shall incorporate recessed label holders and shall be fitted with clear plastic covers. Where no such label holders are present on existing to remain outlets, the faceplate labels shall be protected with a clear over-laminate.

- F . Labels shall be White background with Black lettering. Lettering size shall be as large as practicable (up to 16-point) to fit properly on the outlet label. No lettering shall be smaller than 12-point.
- G . Copper Data and Fiber Optic Patch Panels shall be labeled identifying Outlet ID. Modular Jacks and/or Fiber Couplers shall be positioned in sequence of Outlet ID. Fiber Panels shall also be labeled with the fiber number. Fibers shall be sequenced in order per the manufacturer's color code.
- H . Each Station Cable shall be labeled within 4-inches of the cable end at the Data Patch Panel, 110 blocks, and Information Outlet.

3.3 POWER AND CONTROL WIRE IDENTIFICATION

- A . Provide wire markers on each conductor in panelboard gutters, pull boxes, outlet and junction boxes, and at load connection. Identify with branch circuit or feeder number for power and lighting circuits, and with control wire number as indicated on schematic and interconnection diagrams or equipment manufacturer's shop drawings for control wiring.
- B . All wiring shall be labeled within 2 to 4 inches of terminations. Each end of a wire or cable shall be labeled as soon as it is terminated including wiring used for temporary purposes.

3.4 WIRING DEVICE IDENTIFICATION

- A . Wall switches, receptacles, occupancy sensors, wall dimmers, device plates and box covers, poke-through fittings, access floor boxes, photocells and time clocks shall be identified with circuit numbers and source. In exposed areas, identifications should be made inside of device covers, unless directed otherwise. Use machine-generated labels, or neatly hand-written permanent marker.

3.5 NAMEPLATE ENGRAVING

- A . Provide nameplates of minimum letter height as scheduled below.
- B . Panelboards, Switchboards and Motor Control Centers: 1 inch; identify equipment designation. 1/2 inch (13 mm); identify voltage rating, source and room location of the source.
- C . Equipment Enclosures: 1 inch; identify equipment designation.
- D . Circuit Breakers, Switches, and Motor Starters in Panelboards or Switchboards or Motor Control Centers: 1/2 inch; identify circuit and load served, including location.
- E . Individual Circuit Breakers, Disconnect Switches, Enclosed Switches, and Motor Starters: 1/2 inch; identify source and load served.
- F . Transformers: 1 inch; identify equipment designation. 1/2 inch; identify primary and secondary voltages, primary source, and secondary load and location.
- G . Junction boxes: 1 inch; identify system source(s) and load(s) served. Junction boxes may be neatly identified using a permanent marker.

3.6 PANELBOARD DIRECTORIES

- A . Typed directories for panels must be covered with clear plastic, have a metal frame. Room number on directories shall be Owner's numbers, not Plan numbers unless Owner so specifies.

END OF SECTION

INTENTIONALLY LEFT BLANK

1.4 DATA COLLECTION FOR THE STUDY

- A. The Contractor shall provide the required data for preparation of the studies. The engineer performing the system studies shall furnish the Contractor with a listing of the required data immediately after award of the contract.
- B. The Contractor shall expedite collection of the data to assure completion of the studies as required for final approval of the distribution equipment shop drawings and/or prior to release of the equipment for manufacture.

1.5 SUBMITTALS

- A. Refer to applicable sections in Bidding Requirements and Division 1 - General Requirements.
- B. Third Party Qualifications:
 - 1. Submit qualifications of individual(s) who will perform the work to Design Engineer for approval prior to commencement of the studies.
- C. Draft Report:
 - 1. Submit a draft of the study to Design Engineer for review prior to delivery of the study to the Owner. Make all additions or changes as required by the reviewer.
- D. Final Study Report:
 - 1. Provide studies in conjunction with equipment submittals to verify equipment ratings required.
 - 2. The results of the power system study shall be summarized in a final report. Six (6) bound copies of the final report shall be submitted. Provide two (2) copies in PDF format of the study, so that it can be more easily stored and shared. Also, provide 2 copies (on CD) of the report in MS word, and 2 copies (on CD) of the one-line diagram in CAD format.
 - 3. The report shall include the following sections:
 - a. Overview.
 - b. Short Circuit Study:
 - SC-1 Purpose.
 - SC-2 Explanation of Data.
 - SC-3 Assumptions.
 - SC-4 Analysis of Results.
 - SC-5 Recommendations.
 - SC-6 DAPPER Fault Analysis Input Report.
 - c. Protective Device Coordination Study:
 - PDC-1 Purpose.
 - PDC-2 Explanation of Data.
 - PDC-3 Assumptions.
 - PDC-4 Analysis of Results.
 - PDC-5 Recommendations (Including NEC 700-27 Requirement).
 - PDC-6 CAPTOR Results.
 - PDC-7 Example Drawings.
 - d. Arc Flash Study:
 - ARC-1 Purpose.
 - ARC-2 Explanation of Data.
 - ARC-3 Assumptions.
 - ARC-4 Analysis of Results.
 - ARC-5 Recommendations.
 - ARC-6 SKM Arc Flash Evaluation Report.
 - e. Prioritized Recommendations and Conclusions.
 - f. Appendices:
 - APP-1 DAPPER One-line Diagrams.
 - APP-2 AutoCAD One-line Diagrams.
 - APP-3 SKM Protective Device Summaries.
 - APP-4 Reference Data.

APP-5 Sample Work Permit Form.

APP-6 Copy of Warning Labels, including study date.

- E. The above sections shall include the following items in detail:
1. Obtain available fault current from the local utility company.
 2. Short circuit studies shall evaluate the available fault current at each bus (each change of impedance), including all three-phase motors.
 3. Coordination study recommendations for relay settings, breaker settings, and motor protection settings.
 4. Recommendations for improving the coordination and/or load distribution, as well as ground fault requirements.
 5. Arc flash values for two normal cases to define the highest values (low short circuit and high short circuit).
 6. Arc flash values for two maintenance cases, which define the arc flash values available at the equipment that would be available if the instantaneous trip of the upstream circuit breaker is set at a minimum value. This is recommended if someone has to work on live equipment.
 7. IEEE standard one-line diagram with equipment evaluation and circuit breaker setting forms that clearly define the system data and are easy to interpret.
 8. Recommendations to reduce the arc flash incident energy in all areas that require class 2 and higher PPE.
 9. Prioritized report summarizing all recommendations from this study. This shall include observed NEC code violations and their corrective action.
 10. The Contractor shall provide a one-line diagram that meets IEEE/ANSI standard 141, mounted on 24" x 36" (minimum) Styrofoam backboard. This one-line diagram shall be mounted in each electrical room.

PART 2 PRODUCTS – NOT USED

PART 3 EXECUTION

3.1 SHORT CIRCUIT AND COORDINATION STUDY

- A. The short circuit, coordination, and arc flash hazard studies shall be performed using SKM Dapper, Captor and PowerTool for Windows software packages. In the short circuit study, provide calculation methods and assumptions, the base per unit quantities selected, one-line diagrams, source impedance data including power company system characteristics, typical calculations, and recommendations. Calculate short circuit interrupting and momentary (when applicable) duties for an assumed 3-phase bolted fault at each supply switchgear lineup, unit substation primary and secondary terminals, low voltage switchgear lineup, switchboard, motor control center, distribution panelboard, pertinent branch circuit panelboard, and other significant locations throughout the system. Provide a ground fault current study for the same system areas, including the associated zero sequence impedance data. Include in tabulations fault impedance, X to R ratios, asymmetry factors, motor contribution, short circuit KVA, and symmetrical and asymmetrical fault currents.
- B. In the protective device coordination study, provide time-current curves graphically indicating the coordination proposed for the system, centered on conventional, full-size, log-log forms. Include with each curve sheet a complete title and one-line diagram with legend identifying the specific portion of the system covered by that particular curve sheet. Include a detailed description of each protective device identifying its type, function, manufacturer, and time-current characteristics. Tabulate recommended device tap, time dial, pickup, instantaneous, and time delay settings.

- C. Include on the curve sheets power company relay and fuse characteristics, system medium-voltage equipment relay and fuse characteristics, low-voltage equipment circuit breaker trip device characteristics, pertinent transformer characteristics, pertinent transformer characteristics, pertinent motor and generator characteristics, and characteristics of other system load protective devices. Include at least all devices down to largest branch circuit and largest feeder circuit breaker in each motor control center, and main breaker in branch panelboards.
- D. Include all adjustable settings for ground fault protective devices. Include manufacturing tolerance and damage bands in plotted fuse characteristics. Show transformer full load and 150, 400, or 600 percent currents, transformer magnetizing inrush, ANSI transformer withstand parameters, and significant symmetrical and asymmetrical fault currents. Terminate device characteristic curves at a point reflecting the maximum symmetrical or asymmetrical fault current to which the device is exposed.
- E. Select each primary protective device required for a delta-wye connected transformer so that its characteristic or operating band is within the transformer characteristics, including a point equal to 58 percent of the ANSI withstand point to provide secondary line-to-ground fault protection. Where the primary device characteristic is not within the transformer characteristics, show a transformer damage curve. Separate transformer primary protective device characteristic curves from associated secondary device characteristics by a 16 percent current margin to provide proper coordination and protection in the event of secondary line-to-line faults. Separate medium-voltage relay characteristic curves from curves for other devices by at least a 0.4-second time margin.
- F. Include complete fault calculations as specified herein for each proposed and ultimate source combination. Note that source combinations may include present and future supply circuits, large motors, or generators as noted on drawing one-lines.
- G. Utilize equipment load data for the study obtained by the Contractor from contract documents, including contract addendums issued prior to bid openings.
- H. Include fault contribution of all motors in the study. Notify the Engineer in writing of circuit protective devices not properly rated for fault conditions.
- I. Provide settings for the chiller motor starters or obtain from the mechanical contractor, include in the study package, and comment.
- J. When an emergency generator is provided, include phase and ground coordination of the generator protective devices, to meet NEC 700.27 requirements. Show the generator decrement curve and damage curve along with the operating characteristic of the protective devices. Obtain the information from the generator manufacturer and include the generator actual impedance value, time constants and current boost data in the study. Do not use typical values for the generator.
- K. Evaluate proper operation of the ground relays in 4-wire distributions with more than one main service circuit breaker, or when generators are provided, and discuss the neutral grounds and ground fault current flows during a neutral to ground fault.
- L. For motor control circuits, show the MCC full-load current plus symmetrical and asymmetrical of the largest motor starting current to ensure protective devices will not trip major or group operation.

3.2 FIELD SETTINGS

- A. The Contractor shall perform field adjustments of the protective devices as required to place the equipment in final operating condition. The settings shall be in accordance with the approved short circuit study, protective device coordination study and arc flash hazard study.
- B. Necessary field settings of devices and adjustments and minor modifications to equipment to accomplish conformance with the approved short circuit and protective device coordination study shall be carried out by the Contractor at no additional cost to the Owner.

INTENTIONALLY LEFT BLANK

SECTION 262416

PANELBOARDS

PART 1 GENERAL

1.1 SCOPE

- A . The work under this section includes main, distribution and branch circuit panelboards. Included are the following topics:
1. PART 1 – GENERAL.
 - a. Scope.
 - b. Related Work.
 - c. Submittals.
 - d. Operation and Maintenance Data.
 - e. Spare Parts.
 2. PART 2 – PRODUCTS.
 - a. Main and Distribution Panelboards.
 - b. Branch Circuit Panelboards.
 3. PART 3 – EXECUTION.
 - a. Installation.
 - b. Field Quality Control.
 - c. Owner Training.

1.2 RELATED WORK

- A . Applicable provisions of Division 1 govern work under this Section.

1.3 SUBMITTALS

- A . Refer to applicable sections in Bidding Requirements and Division 1 - General Requirements for Submittal procedure.
- B . Include outline and support point dimensions, voltage, main bus ampacity, integrated short circuit ampere rating, and circuit breaker arrangement and sizes.

1.4 OPERATION AND MAINTENANCE DATA

- A . All operations and maintenance data shall comply with the submission and content requirements specified.

1.5 SPARE PARTS

- A . Keys: Furnish 2 keys for each panelboard to Owner.

PART 2 PRODUCTS

2.1 MANUFACTURERS

- A . Square D: www.squared.com.
- B . Siemens: www.siemens.com.

2.2 MAIN AND DISTRIBUTION PANELBOARDS

- A . Panelboards: Circuit breaker type.
- B . Enclosure: NEMA Type 1. Minimum cabinet size: 5-3/4 inches deep; 20 inches wide, with 5 inch minimum gutter space top and bottom. Constructed of galvanized code gauge steel.
- C . Provide cabinet front with hinged door with flush lock. Front cover shall be hinged to allow access to wiring gutters without removal of panel trim. Hinged trim shall be held in place with screw fasteners. Finish in manufacturer's standard gray enamel.
- D . Provide metal directory holders with clear plastic covers.

- E . Provide panelboards with copper bus (phase buses, bus fingers, etc., ratings as scheduled on Drawings. Provide ground bars in all panelboards. Neutral and ground bars can be dual rated ALCU9. All spaces shall have bus fully extended and drilled for the future installation of breakers.
- F . Minimum System (i.e. individual component) Short Circuit Rating: As shown on the Drawings.
- G . Molded Case Circuit Breakers: Provide circuit breakers with integral thermal and instantaneous magnetic trip in each pole. Provide circuit breakers UL listed as Type HACR for air conditioning equipment branch circuits.
- H . Circuit breakers shall be bolt-on type with common trip handle for all poles. No handle ties of any sort will be approved.

2.3 BRANCH CIRCUIT PANELBOARDS

- A . Lighting and Appliance Branch Circuit Panelboards: Circuit breaker type.
- B . Enclosure: Type 1. Minimum cabinet size: 5-3/4 inches deep; 20 inches (508 mm) wide with 5 inch minimum gutter space top and bottom. Constructed of galvanized code gauge steel. Panel enclosure (back box) shall be of non-stamped type (without KO's) to avoid concentric break out problem.
- C . Provide surface cabinet front with concealed trim clamps, concealed hinge and flush cylinder lock all keyed alike. Front cover shall be hinged to allow access to wiring gutters without removal of panel trim. Hinged trim shall be held in place with screw fasteners. Finish in manufacturer's standard gray enamel.
- D . Provide metal directory holders with clear plastic covers.
- E . Provide panelboards with copper bus (phase buses, bus fingers, etc., ratings as scheduled on Drawings. Provide ground bars in all panelboards. Neutral and ground bars can be dual rated ALCU9. All spaces shall have bus fully extended and drilled for the future installation of breakers.
- F . Minimum System (i.e. individual component) Short Circuit Rating: As shown on the Drawings.
- G . Molded Case Circuit Breakers: Bolt-on type thermal magnetic trip circuit breakers. Provide UL Class A ground fault interrupter circuit breakers where shown on Drawings. Provide circuit breakers UL listed as Type HACR for air conditioning equipment branch circuits.
- H . Do not use tandem circuit breakers.
- I . Circuit breakers shall be bolt-on type with common trip handle for all poles. No handle ties of any sort will be approved.

All of the panelboards provided under this section shall be by the same manufacturer.

PART 3 EXECUTION

3.1 INSTALLATION

- A . See Section 260529 for support requirements.
- B . Install panelboards plumb with wall finishes.
- C . Height: 6 feet to top.
- D . Install a crimp type stud termination to stranded conductor when terminating on circuit breakers without a captive assembly rated for terminating stranded conductors.
- E . Provide filler plates for unused spaces in panelboards.
- F . See Section 26 05 53 for identification requirements. Provide typed circuit directory for each branch circuit panelboard. Revise directory to reflect circuiting changes required to balance phase loads.

G . Stub three (3) empty 3/4 inch conduits to accessible location above ceiling or below floor out of each recessed panelboard. Cap these conduits to prevent material from entering them.

3.2 FIELD QUALITY CONTROL

A . If aluminum conductors size #1/0 and larger (per Section 26 05 19) are to be used as panelboard feeders, it is the responsibility of the Contractor to provide panelboards with adequate wire bending space to accommodate the aluminum conductors and terminators to meet allowable code requirements. The Contractor shall circuit the panelboards as shown on the drawings. Measure steady state load currents at each panelboard feeder. Should the difference at any panelboard between phases exceed 10 percent, rearrange circuits in the panelboard to balance the phase loads within 10 percent.

B . Visual and Mechanical Inspection: Inspect for physical damage, proper alignment, anchorage, and grounding. Check proper installation and tightness of connections.

3.3 OWNER TRAINING

A . All training provided for Owner shall comply with the format, general content requirements and submission guidelines specified.

END OF SECTION

INTENTIONALLY LEFT BLANK

SECTION 262702

EQUIPMENT WIRING SYSTEMS

PART 1 GENERAL

1.1 SCOPE

- A . The work under this section includes electrical connections to equipment specified under other Divisions and/or Sections, or furnished by Owner, including, but not limited to:
 - 1. HVAC motors, VFDs, and panels.
 - 2. Plumbing motors, VFDs, and panels.
- B . Included are the following topics:
 - 1. PART 1 – GENERAL.
 - a. Scope.
 - b. Related Work.
 - c. Submittals.
 - d. Coordination.
 - 2. PART 2 – PRODUCTS.
 - a. Cords and Caps.
 - b. Other Products.
 - 3. PART 3 – EXECUTION.
 - a. Inspection.
 - b. Preparation.
 - c. Installation.
 - d. HVAC and Plumbing Connections.
 - e. Equipment Connection Schedule.

1.2 RELATED WORK

- A . Applicable provisions of Bidding Requirements and Division 1 - General Requirements govern work under this section.
 - 1. Section 260519 - Low-Voltage Electrical Power Conductors and Cables.
 - 2. Section 260533 - Raceway and Boxes for Electrical Systems.

1.3 SUBMITTALS

- A . Refer to applicable sections in Bidding Requirements and Division 1 - General Requirements.
- B . Product Data: Provide data for cord and wiring devices.

1.4 COORDINATION

- A . Coordinate all equipment requirements with the various Contractors and the Owner. Review the complete set of drawings and specifications to determine the extent of wiring, starters, devices, etc., required.

PART 2 PRODUCTS

2.1 CORDS AND CAPS

- A . Straight-blade Attachment Plug: NEMA WD 1.
- B . Locking-blade Attachment Plug: NEMA WD 5.
- C . Attachment Plug Configuration: Match receptacle configuration at outlet provided for equipment.
- D . Cord Construction: Oil-resistant thermoset insulated multiconductor flexible cord with identified equipment grounding conductor, suitable for hard usage in damp locations.

- E . Cord Size: Suitable for connected load of equipment and rating of branch circuit overcurrent protection.

2.2 OTHER PRODUCTS

- A . Refer to related sections for other product requirements.

PART 3 EXECUTION

3.1 INSPECTION

- A . Verify that equipment is ready for electrical connection, wiring, and energization.

3.2 PREPARATION

- A . Review equipment submittals prior to installation and electrical rough-in. Verify location, size, and type of connections. Coordinate details of equipment connections with supplier and installer.

3.3 INSTALLATION

- A . Use wire and cable with insulation suitable for temperatures encountered in heat-producing equipment.
- B . Make conduit connections to equipment using flexible PVC-coated metal conduit.
- C . Install pre-finished cord set where connection with attachment plug is indicated or specified, or use attachment plug with suitable strain-relief clamps.
- D . Provide suitable strain-relief clamps for cord connections to outlet boxes and equipment connection boxes.
- E . Make wiring connections in control panel or in wiring compartment of pre-wired equipment in accordance with manufacturer's instructions. Provide interconnecting wiring where indicated.
- F . Install disconnect switches, controllers, control stations, and control devices such as limit switches and temperature switches as indicated. Connect with conduit and wiring as indicated.
- G . Coolers and Freezers: Cut and seal conduit openings in freezer and cooler walls, floor, and ceilings.

3.4 HVAC AND PLUMBING CONNECTIONS

- A . Provide all power wiring including all circuitry carrying electrical energy from panelboard or other source through starters, variable frequency drives (VFDs), and disconnects to motors or to packaged control panels. Packaged control panels may include disconnects and starters and overcurrent protection. Provide all wiring between packaged control panels and motors.
- B . VFD Installations: Install VFD input wiring and output wiring in separate conduit systems. Do not mix VFD input power and output power, or control wiring in a common raceway.
- C . Provide 120 volts to each temperature control panel. Coordinate requirements with HVAC/DDC Contractors.
- D . Unless otherwise specified, all electrical motors and control devices such as aquastats, float and pressure switches, fan powered VAV boxes, switches, electro-pneumatic switches, solenoid valves and damper motors requiring mechanical connections shall be furnished and installed and wired by the Contractor supplying the devices.
- E . Each motor terminal box shall be connected with a minimum 12 inch, maximum 36 inch piece of flexible PVC-coated metal conduit to a fixed junction box. Conduit must be installed perpendicular to direction of equipment vibration to allow conduit to freely flex.
- F . Check for proper rotation of each motor.

3.5 EQUIPMENT CONNECTION SCHEDULE

A . As indicated on the drawings.

END OF SECTION

INTENTIONALLY LEFT BLANK

SECTION 262726

WIRING DEVICES

PART 1 GENERAL

1.1 SCOPE

- A. The work under this section includes wall switches, receptacles, occupancy sensors, wall dimmers, device plates and box covers, poke-through service fittings, access floor boxes, photo cells and time clocks. Included are the following topics:
 - 1. PART 1 – GENERAL.
 - a. Scope.
 - b. Related Work.
 - c. Submittals.
 - d. Operation and Maintenance Data.
 - 2. PART 2 – PRODUCTS.
 - a. Manufacturers.
 - b. Wall Switches.
 - c. Receptacles.
 - d. Occupancy Sensors.
 - e. Wall Dimmers.
 - f. Device Plates and Box Covers.
 - g. Time Clocks.
 - 3. PART 3 – EXECUTION.
 - a. Installation.
 - b. Field Quality Control.
 - c. Occupancy Sensors.
 - d. Adjusting.

1.2 RELATED WORK

- A. Applicable provisions of Bidding Requirements and Division 1 - General Requirements govern work under this section.

1.3 SUBMITTALS

- A. Refer to applicable sections in Bidding Requirements and Division 1 - General Requirements.
- B. Provide product data showing model numbers, configurations, finishes, dimensions, and manufacturer's instructions.
- C. For occupancy sensor shop drawings, the manufacturer's actual layout of occupancy sensors and the wiring diagrams shall be provided.

1.4 OPERATION AND MAINTENANCE DATA

- A. All operations and maintenance data shall comply with the submission and content requirements specified under applicable sections in Bidding Requirements and Division 1 - General Requirements.

PART 2 PRODUCTS

2.1 MANUFACTURERS

- A. Cooper: www.cooperwiringdevices.com.
- B. Hubbell: www.hubbell-wiring.com.
- C. Pass and Seymour: www.passandseymour.com.
- D. Leviton: www.leviton.com.

2.2 WALL SWITCHES

- A. Wall Switches for Lighting Circuits and Motor Loads Under 1/2 HP: Heavy duty use toggle switch, rated 20 amperes and 120/277 volts AC. Switches shall be UL20 Listed and meet Federal Specification WS-896. All switches shall be heavy duty Specification Grade with separate green ground screw.
- B. All switches shall be back and side wired, screw clamp type, suitable for solid or stranded wire up to #10 AWG. Switches shall be Leviton model 1221-S, Hubbell model CS1221, Pass & Seymour model CSB20, Cooper model CSB120, or approved equal.
 - 1. Handle: Made of nylon or high impact resistant material.
 - 2. Color: Gray.

2.3 RECEPTACLES

- A. Convenience and Straight-blade Receptacles: NEMA Type 5-20R, nylon or high impact resistant face. Receptacles shall be UL498 Listed and meet Federal Specification WC-596. All duplex receptacles shall be heavy duty Specification Grade, 20 amp rated. All receptacles shall be back and side wired, screw clamp type, suitable for solid or stranded wire up to #10 AWG, with a separate green ground screw. Receptacles shall be Leviton model 5362, Hubbell model HBL5362, Pass & Seymour model 5362A, or Cooper model AH5362.
- B. Generally, all receptacles shall be duplex convenience type unless otherwise noted.
- C. All receptacles installed in outdoor locations, in garages, within 6 feet of the outside edge of sinks, and in other damp or wet locations shall be GFCI type.
- D. GFCI Receptacles: Duplex convenience receptacle, Specification Grade, with integral ground fault current interrupter meeting the requirements of UL standard 943 Class A and UL standard 498. GFCI receptacles shall be Leviton model 7899, Hubbell model GF20, Pass & Seymour model 2095, Cooper model VGF20 or approved equal.
- E. All devices shall be Gray in color. All receptacles on emergency circuits shall have a red face.
- F. All receptacles designated as isolated ground shall have an isolated ground triangle imprint on the face of the receptacle.
- G. Locking-Blade Receptacles: As indicated on drawings.
- H. Specific-use Receptacle Configuration: As indicated on drawings.

2.4 OCCUPANCY SENSORS

- A. All occupancy sensors shall be hardwired type; battery type shall not be permitted.
- B. Wall Mounted (Wall Switch Type):
 - 1. The sensor shall use either passive infrared or, if dual technology, passive infrared and passive acoustic sensing, or passive infrared and ultrasonic, for detecting room occupancy. The unit shall fit in/on a standard single gang switch box.
 - 2. Rated capacity: 600 watts minimum at 120 volts, 60 Hz; 1000 watts minimum at 277 volts, 60 Hz.
 - 3. Sensitivity shall be user adjustable or self-adjusting type.
 - 4. The delay timer shall be adjusted within a range of 6 to 30 minutes by the Contractor in the field. The sensor shall have a test mode for performance testing.
 - 5. The off switch shall have manual override for positive off and automatic on.
 - 6. The test LED shall indicate motion.
 - 7. The area of coverage shall be approximately 180 degrees by 35-40 feet.
 - 8. The unit shall have a five year warranty.

C. Ceiling Mounted:

1. The sensor shall use either passive infrared or, if dual technology, passive infrared and passive acoustic sensing, or passive infrared and ultrasonic, for detecting room occupancy. The unit shall fit in/on a standard octagon box. All ceiling mounted sensors shall be installed to a box with ring and box support.
2. Rated capacity shall be 20 amps at 120 or 277 volts, for fluorescent lamps. Provide power pack as required for low voltage sensors.
3. Sensitivity shall be user adjustable or self-adjusting type.
4. The delay timer shall be adjusted within a range of 6 to 30 minutes by the Contractor in the field. The sensor shall have a test mode for performance testing.
5. The coverage area shall be 360 degrees by approximately 15 feet radius when mounted at 9 foot height. The sensor shall have provisions, such as masking, to block out problem areas.
6. Test LED to indicate motion.
7. The unit shall have a five year warranty.
8. See drawings for actual type of sensor.

2.5 WALL DIMMERS

- A. Wall Dimmers: Linear slide semiconductor type.
- B. Rating: 600 Watts minimum, larger size to accommodate load shown on Contract Drawings.

2.6 DEVICE PLATES AND BOX COVERS

- A. Decorative Cover Plate: 302/304 smooth stainless steel.
- B. Weatherproof Cover Plate: Gasketed metal with hinged device covers.
- C. Surface Cover Plate: Raised galvanized steel.

2.7 TIME CLOCKS

- A. Unit shall be a multi-purpose, 7 day, 365 day advance single and skip a day, combination 2 channel electronic time clock with a SPDT switching configuration and astronomic dial.
- B. The contacts shall be rated 10 amp resistive at 120/250 VAC, 7.5 amps inductive at 120/250 VAC, 5 amps inductive at 30 VDC and up to 1/2 hp at 250 VAC. The unit shall be rate for 30 VDC, 120 VAC, 250 VAC and 277 VAC.
- C. The controller shall be capable of programming in the AM/PM or 24 hour format by jumper selection, in one minute resolution, using 2 buttons only for all basic settings.
- D. Display shall be LED type.
- E. The unit shall have 365 day and or holiday selection capabilities, with 16 single date and 5 holiday selection options and user selectable daylight savings/standard time functions.
- F. The unit shall have 72 hour memory backup with rechargeable battery and charger.
- G. The unit shall be capable of manual override, On and OFF to the next scheduled event, using 1 button for each channel.
- H. The enclosure shall be rated for indoor or outdoor installation.

PART 3 EXECUTION

3.1 INSTALLATION

- A. Install wall switches 46 inches above floor to the center of device, OFF position down.
- B. Install wall dimmers 46 inches above floor to the center of device; de-rate ganged dimmers as instructed by manufacturer; do not use common neutral.
- C. Install convenience receptacles 24 inches above floor, 2" above backsplash, grounding pole on bottom.

- D. Install box for information outlet 24 inches above finished floor. Install box for telephone jack for wall telephone 48 above finished floor.
- E. Install specific-use receptacles at heights shown on Contract Drawings.
- F. Drill opening for poke-through fitting installation in accordance with manufacturer's instructions.
- G. Install decorative plates on switch, receptacle, and blank outlets in finished areas.
- H. Install galvanized steel plates on outlet boxes and junction boxes in unfinished areas, above accessible ceilings, and on surface-mounted outlets.
- I. Install devices and wall plates flush and level.
- J. Receptacles shall have a bonding conductor from grounding terminal to the metal conduit system. Self-grounding receptacles using mounting screws as bonding means are not approved.

3.2 FIELD QUALITY CONTROL

- A. Inspect each wiring device for defects.
- B. Operate each wall switch and sensor with circuit energized and verify proper operation.
- C. Verify that each receptacle device is energized.
- D. Test each receptacle device for proper polarity.
- E. Test each GFCI receptacle device for proper operation.
- F. Owner personnel reserve the right to be present at all tests.

3.3 OCCUPANCY SENSORS

- A. Power packs used in return air plenum ceiling areas shall be installed in an approved enclosure or UL listed for return air plenum.
- B. Provide a minimum of 4 feet of coiled cable for ceiling-mounted sensors.
- C. Sensitivity Test: After the sensor has been energized for at least 15 minutes, walk to the middle of the room (if conference room) or sit at the normal desk position (if and office). Make no motion for 20 seconds. Move one arm up and down slowly. The test LED should blink.
- D. Time Delay Test: Set the time delay for 10 minutes. Walk into the room to activate the sensor then leave room. Sensor must turn lights off at approximately 10 minutes. Walk into the room again to reactivate the lights. Lights should activate within 1 second.
- E. For lights on emergency power without a remote transfer device, route the emergency circuit through a separate relay controlled by the occupancy sensor(s) in the respective area. For lights on emergency power with a remote transfer device, the emergency power does not get routed through the occupancy sensor relay, but the normal power does get routed through the occupancy sensor relay.

3.4 ADJUSTING

- A. Adjust devices and wall plates to be flush and level.
- B. Mark all conductors with the panel and circuit number serving the device with a machine generated label, at the device, and on the back of the device cover.

END OF SECTION

SECTION 262728

DISCONNECT SWITCHES

PART 1 GENERAL

1.1 SCOPE

- A . The work under this section includes disconnect switches, fuses and enclosures. Included are the following topics:
1. PART 1 – GENERAL.
 - a. Scope.
 - b. Related Work.
 - c. Submittals.
 - d. Operation and Maintenance Data.
 2. PART 2 – PRODUCTS.
 - a. Manufacturers.
 - b. Disconnect Switches.
 - c. Fuses.
 3. PART 3 – EXECUTION.
 - a. Installation.

1.2 RELATED WORK

- A . Applicable provisions of Bidding Requirements and Division 1 - General Requirements govern work under this section.

1.3 SUBMITTALS

- A . Refer to applicable sections in Bidding Requirements and Division 1 - General Requirements.
- B . Include outline drawings with dimensions, and equipment ratings for voltage, ampacity, horsepower, and short circuit.

1.4 OPERATION AND MAINTENANCE DATA

- A . All operations and maintenance data shall comply with the submission and content requirements specified under applicable sections in Bidding Requirements and Division 1 - General Requirements.

PART 2 PRODUCTS

2.1 MANUFACTURERS

- A . Square D: www.squared.com.
- B . Siemens: www.siemens.com.

2.2 DISCONNECT SWITCHES

- A . Fusible Switch Assemblies (use only when overcurrent protection is required): NEMA Type Heavy Duty; quick-make, quick-break, load interrupter, enclosed knife switch with externally operable handle interlocked to prevent opening front cover with switch in ON position. Handle lockable in OFF position. Fuse Clips: Designed to accommodate Class R cartridge type fuses.
- B . Nonfusible Switch Assemblies: NEMA Type Heavy Duty; quick-make, quick-break, load interrupter, enclosed knife switch with externally operable handle interlocked to prevent opening front cover with switch in ON position. Handle lockable in OFF position.
- C . Enclosure: NEMA Type 1 for interior installations and Type 3R for exterior installations.
- D . Provide manufacturer's equipment ground kit in all disconnect switches.

2.3 FUSES

- A . Fuses 600 Amperes and Less: Dual element, time delay, 600 volt, UL Class RK 5. Interrupting Rating: 200,000 rms amperes.
- B . Fuses 601 Amperes and Larger: Time delay, 600 volt, UL Class L. Interrupting Rating: 200,000 rms amperes.
- C . **Provide three (3) spares of each size and type fuse. Provide enclosure for spare fuse.**

PART 3 EXECUTION

3.1 INSTALLATION

- A . Install disconnect switches where indicated on Drawings.
- B . Provide identification as specified in Section 260553.

END OF SECTION

SECTION 265113

INTERIOR LIGHTING FIXTURES, LAMPS, AND BALLASTS

PART 1 GENERAL

1.1 SCOPE

- A. The work under this section includes interior luminaires and accessories, exit signs, lamps, and ballasts. Included are the following topics:
 - 1. PART 1 - GENERAL.
 - a. Scope.
 - b. Related Work.
 - c. Reference Standards.
 - d. Definitions.
 - e. Submittals.
 - f. Operation and Maintenance Data.
 - g. Extra Material.
 - 2. PART 2 - PRODUCTS.
 - a. Manufacturers
 - b. Interior Luminaires and Accessories.
 - c. LED Luminaires.
 - 3. PART 3 - EXECUTION.
 - a. Installation.
 - b. Adjusting and Cleaning.
 - c. Interface with Other Products.
 - d. Field Quality Control.
 - e. Luminaire Connections Including Master-Satellite.

1.2 RELATED WORK

- A. Applicable provisions of Bidding Requirements and Division 1 – General Requirements govern work under this Section.

1.3 REFERENCE STANDARDS

- A. RoHS - Restriction of Hazardous Substances. Council of the European Union (EC) Directive 2002/95/EC on the restriction of the use of certain hazardous substances in electrical and electronic equipment.
- B. LM-79-08 (or latest) - IES Approved Method for the Electrical and Photometric Measurements of Solid-State Lighting Products.
- C. LM-80-08 (or latest) - IES Approved Method for Measuring Lumen Maintenance of LED Light Sources.
- D. TM-21-11 (or latest) - IES Technical Memorandum on Projecting Long Term Lumen Maintenance of LED Light Sources.
- E. NEMA SSL 1-2010 (or latest) - Electronic Drivers for LED Devices, Arrays, or Systems.

1.4 DEFINITIONS

- A. Driver - the power supply used to power LED luminaires, modules, or arrays.
- B. L70, L₇₀, or L_{70%} - The reported life of an LED component or system to reach 70% lumen maintenance, or 70% of the LED's original light output. This test is being developed by the IES and is currently described by TM-21-11.
- C. LED's - Broadly defined as complete luminaire with light emitting diode (LED) packages, modules, light bars or arrays, complete with driver.

- D. LED luminaire failure - Negligible light output from more than 10 percent of the LED's constitutes luminaire failure.

1.5 SUBMITTALS

- A. Refer to applicable sections in Bidding Requirements and Division 1 – General Requirements, for submittal procedures.
- B. Include outline drawings, lamp and ballast data, support points, weights, accessory information and performance data for each luminaire type.
- C. For each luminaire type, submit luminaire information including catalog cuts with highlighted catalog numbers and required accessories:
 - 1. Luminaire:
 - a. Manufacturer and catalog number.
 - b. Type (identification) as indicated on the plans and schedule.
 - 2. Ballast:
 - a. Manufacturer and catalog number.
 - b. Type (Programmed Start, etc.), Ballast Factor, THD, etc.
 - c. Quantity per luminaire.
 - 3. Lamps:
 - a. Manufacturer, catalog number, and wattage.
 - b. Quantity per luminaire.

1.6 OPERATION AND MAINTENANCE DATA

- A. All operations and maintenance data shall comply with the submission and content requirements specified under applicable sections in Bidding Requirements and Division 1 – General Requirements.

1.7 EXTRA MATERIAL

- A. Provide ten (10) percent of each lamp type, but not less than one (1) of each type.

PART 2 PRODUCTS

2.1 MANUFACTURERS

- A. As specified on Light Fixture Schedule on Drawings.

2.2 INTERIOR LUMINAIRES AND ACCESSORIES

- A. See the Light Fixture Schedule on the drawings for type of luminaires and catalog numbers. Catalog numbers are shown on the drawings for quality and performance requirements only. Luminaires manufactured by others are equally acceptable provided they meet or exceed the performance of the indicated luminaires, and meet the intent of the design.
- B. Luminaire shall be certified by a Nationally Recognized Testing Laboratory (UL, ETL, or IEC).
- C. Provide luminaires with quick-connect disconnecting means, similar to Thomas & Betts Sta-Kon.
- D. Where alternate fixtures to those specified are provided, notification of alternates are required prior to bid in accordance with Section 26 05 00. Full photometric drawings and a spreadsheet indicating the differences between the specified fixtures and alternate fixtures shall be provided as part of the pre-bid notification. The spreadsheet shall indicate all aspects of the alternate fixture that differ from the specified fixture, including, but not limited to the following:
 - 1. Physical Dimensions.
 - 2. Mounting Type.
 - 3. Fixture Ratings/Listings.
 - 4. Housing Materials/Construction.
 - 5. Lumen Output.
 - 6. Fixture Voltage.
 - 7. Fixture Wattage.

8. Fixture Efficacy.
9. CCT.
10. CRI.
11. Beam Angles/Distribution.
12. Manufacturer Warranty.
13. Emergency Power.
14. Controls Requirements.

2.3 LED LUMINAIRES

- A. LED Luminaires shall meet all DesignLights Consortium® (DesignLights.org) Product Qualification Criteria. This does not require that the luminaire be listed on the DesignLights Consortium's® Qualified Products List, but they must meet the Product Qualification Criteria. The technical requirements that the luminaire shall meet for each Application Category are:
1. Minimum Light Output.
 2. Zonal Lumen Requirements.
 3. Minimum Luminaire Efficacy.
 4. Minimum CRI.
 5. L70 Lumen Maintenance.
 6. Minimum Luminaire Warranty of 5 years (not pro-rated) to include LED driver and all LED components.
 7. Additional requirements:
 - a. Color Temperature of 3000K-4100K for interior luminaires as listed in the Luminaire Schedule on the plans. The color temperature of exterior LED luminaires should not exceed 4100K (nominal).
 - b. Color Consistency: LED manufacturer shall use a maximum 3-step MacAdam Ellipse binning process to achieve consistent luminaire-to-luminaire color for interior luminaires. Exterior luminaires shall use a maximum 5-step MacAdam Ellipse binning process.
 - c. Glare Control: Exterior luminaires shall meet DesignLights Consortium's® criteria for Zonal Lumen Distribution requirements or Backlight-Uplight-Glare (BUG) standards for exterior luminaires.
 - d. Luminaire shall be mercury-free, lead-free, and RoHS compliant.
 - e. Luminaire shall comply with FCC 47 CFR part 15 non-consumer RFI/EMI standards.
 - f. Light output of the LED system shall be measured using the absolute photometry method following IES LM-79 and IES LM-80 requirements and guidelines.
 - g. Luminaire shall maintain 70% lumen output (L70) for a minimum of 50,000 hours.
 - h. Driver shall have a rated life of 50,000 hours, minimum.
 - i. Lumen output shall not depreciate more than 20% after 10,000 hours of use.
 - j. Driver and LEDs shall be furnished from a single manufacturer to ensure compatibility.
 - k. Luminaire Color Rendering Index (CRI) shall be a minimum of 80 for interior luminaires, and a minimum of 70 for exterior luminaires.
 - l. LED luminaire shall be thermally designed as to not exceed the maximum junction temperature of the LED for the ambient temperature of the location the luminaire is to be installed. Rated case temperature shall be suitable for operation in the ambient temperatures typically found for the intended installation. Exterior luminaires to operate in ambient temperatures of -20°F to 122°F (-29°C to 50°C).
 - m. LED driver shall have a minimum power factor (pf) of 0.9 and a maximum crest factor (cf) of 1.5 at full input power and across specified voltage range.
 - n. Luminaire shall operate normally for input voltage fluctuations of plus or minus 10 percent.
 - o. Luminaire shall have a maximum Total Harmonic Distortion (THD) of 20% at full input power and across specified voltage range.
 - p. Wiring connections to LED drivers shall utilize polarized quick-disconnects for field maintenance.

- q. All connections to luminaires shall be reverse polarity protected and provide high voltage protection in the event connections are reversed or shorted during the installation process.
- r. Fuse Protections: All luminaires shall have built-in fuse protection. All power supply outputs shall be either fuse protected or be Polymeric Positive Temperature Coefficient (PTC)-protected as per Class 2 UL listing.
- s. All luminaires shall be provided with knockouts for conduit connections.
- t. The LED luminaire shall carry a limited 5-year warranty minimum for LED light engine(s)/board array, and driver(s).
- u. Provide all of the following data on submittals:
 - 1) Delivered lumens.
 - 2) Input watts.
 - 3) Efficacy.
 - 4) Color rendering index.
- 8. LED Luminaires used for Emergency Egress Lighting:
 - a. The failure of one LED shall not affect the operation of the remaining LEDs.
- 9. Emergency LED Luminaire Compatibility with Inverters:
 - a. Emergency Inverters shall be sine-wave type, or have written confirmation from the luminaire manufacturer that the luminaire will function with a square-wave inverter.
- 10. Dimming:
 - a. LED driver shall be compatible with dimming controls where dimming is indicated on the plans. Dimmable drivers shall use Dimming Constant Current (DCC) or Pulse Width Modulation (PWM) operation.
 - b. LED luminaires shall dim to (20%, 15%, 10%, 5%, or 0.1%) as specified in the Luminaire Schedule on the plans without visible flicker or "popcorn effect". "Popcorn effect" is defined as the luminaire being on a pre-set dimmed level (less than 100%), and going to 100% prior to returning to the pre-set level when power is returned to the luminaire.

PART 3 EXECUTION

3.1 INSTALLATION

- A. Verify ceiling types with Architectural plans or with existing ceilings. Verify specified luminaires are compatible with specified ceiling type(s) prior to ordering luminaires.
- B. Install in accordance with manufacturer's instructions.
- C. Install suspended luminaires using aircraft cable, or pendants supported from swivel hangers. Heavy duty chain supports may be used where indicated on the luminaire schedule. Provide aircraft cable, pendants, or chain lengths required to suspend luminaire at indicated height. All aircraft cables or pendant supported luminaires shall have an independent support to structure at all cable or pendant support locations. When chain is used, tie-wrap the luminaire whip to the chain.
- D. Support luminaires larger than 2 x 4 foot (600 x 1200 mm) size independent of ceiling framing.
- E. Provide independent support for all luminaires over 50 lbs.
- F. Locate ceiling luminaires as indicated on reflected ceiling plan.
- G. Install surface mounted luminaires and exit signs plumb and adjust to align with building lines and with each other. Secure to prohibit movement.
- H. The Contractor shall install luminaire supports as required. Luminaire installations with luminaires supported only by insecure boxes will be rejected. It shall be the Contractor's responsibility to support all luminaires adequately, providing extra steel work for the support of luminaires if required. Any components necessary for mounting luminaires shall be provided by the Contractor. No plastic, composition or wood type anchors shall be used.

- I. Exposed Grid Ceilings: Provide auxiliary members spanning ceiling Ts to support surface mounted luminaires. Fasten surface mounted luminaires to ceiling T using bolts, screws, rivets, or suitable clips.
- J. Install recessed luminaires to permit removal from below.
- K. Install recessed luminaires using accessories and firestopping materials to meet regulatory requirements for fire rating.
- L. Install code required hardware to secure recessed grid-supported luminaires in place.
- M. Install wall mounted luminaires and exit signs at height as scheduled. Use pendants supported from swivel hangers in exposed ceiling/structure locations where necessary to mount exit signs at the specified height.
- N. Install accessories furnished with each luminaire.
- O. Make wiring connections to branch circuit using building wire with insulation suitable for temperature conditions within luminaire.
- P. Bond luminaires and metal accessories to branch circuit equipment grounding conductor.
- Q. Install specified lamps in each luminaire and exit sign.
- R. Dimmed luminaire circuits shall have separate neutrals.
- S. Dimmed LED luminaires shall have a positive OFF, which requires turning off the circuit to the luminaire so that the luminaires don't "glow" at the lowest dimmed setting. This shall be accomplished using a switch, relay, or some other means acceptable to Owner.
- T. All lamps shall be delivered to the job in sealed cartons and protected from dirt and dust during storage on the project. Lamps shall be taken directly from the cartons and installed in the luminaire with special care so that they do not become dusty and are not soiled in the operation.
- U. Lamps installed in luminaires using dimming ballasts shall be burned in at 100% rated output by the contractor for a minimum of 100 hours as recommended by the ballast manufacturer.
- V. All new lamps shall be operational at the Substantial Completion of the project.

3.2 ADJUSTING AND CLEANING

- A. Align luminaires and clean lenses and diffusers at completion of Work. Clean paint splatters, dirt, and debris from installed luminaires.
- B. Aim and adjust luminaires as indicated on Drawings or as directed by the Engineer.
- C. Touch up luminaire finish at completion of work.

3.3 INTERFACE WITH OTHER PRODUCTS

- A. Interface with air handling accessories furnished and installed under Division 23.
- B. Provide controls as indicated on the plans. Refer to section 262726 - Wiring Devices. Controls shall be compatible with the luminaires/ballasts/drivers being installed.

3.4 FIELD QUALITY CONTROL

- A. Operate each luminaire after installation and connection. Inspect for proper connection and operation.

3.5 LUMINAIRE CONNECTIONS INCLUDING MASTER-SATELLITE

- A. Provide direct box or conduit connections for surface mounted and recessed luminaires. Use a luminaire fixture whip from a J-box for recessed lay-in luminaires. Luminaire fixture whips shall be aluminum or steel AC Cable (Armored Cable) or Flexible Metal Conduit (FMC). Cable/Conduit whips shall be 3/8" (10 mm) minimum diameter and six foot (1.8 m) maximum

length. Flexible whips between master and satellite luminaires may be supported off of the ceiling grid wires. Cable/conduit whip length shall allow movement of the luminaire for maintenance purposes. Flexible metal conduit shall not be used for connections to luminaires where the conduit is exposed in finished spaces.

- B. The flexible connectors shall be steel, galvanized, clamp type with locknut, snap-in type with locknut, or snap-in connector type, including those used on the master-satellite unit.

END OF SECTION



MOORE PUBLIC SCHOOLS DISTRICT NO. 1-2
CLEVELAND COUNTY MOORE, OKLAHOMA

SOUTHGATE ELEMENTARY SCHOOL OFFICE ADDITION

500 N. NORMAN
MOORE, OK. 73160

AGP | the Abla Griffin
Partnership

201 N. BROADWAY SUITE 210 MOORE, OK. 73160
405.735.3477 AGP@theAGP.net www.the-AGP.net



CONSTRUCTION MANAGER



1900 S. EASTERN AVE.
MOORE, OK 73160

STRUCTURAL

KFC ENGINEERING

205 NW 63rd, SUITE 300
OKLAHOMA CITY, OK 73116

MECHANICAL/ELECTRICAL/PLUMBING

SALAS O'BRIEN

2800 VAN BUREN ST., SUITE 2804
NORMAN, OKLAHOMA 73072

INDEX TO DRAWINGS

| SHEET NUMBER | DESCRIPTION |
|--------------|--|
| C | COVER SHEET |
| G100 | LEGENDS / MAP / GENERAL NOTES |
| C100 | SITE PLAN / DETAILS |
| S100 | GENERAL NOTES |
| S101 | GENERAL NOTES |
| S102 | GENERAL NOTES |
| S103 | DETAILS |
| S104 | DETAILS |
| S201 | FOUNDATION PLAN |
| S301 | FRAMING PLAN / SECTIONS |
| S401 | SECTIONS |
| A100 | FIRE CODE FLOOR PLAN |
| A101 | DEMOLITION PLAN |
| A102 | FLOOR PLAN / MILLWORK / SECTIONS |
| A103 | REFLECTED CEILING PLAN / EQUIPMENT PLAN / SECTIONS |
| A104 | ROOF PLAN / DETAILS / SECTION |
| A201 | ELEVATIONS / BUILDING SECTIONS |
| A301 | WALL SECTIONS / DETAILS |
| A401 | DETAILS |
| A501 | ROOM FINISH SCHEDULE / COLOR SCHEDULE |
| A601 | DOOR SCHEDULE / GLAZING SCHEDULE / FRAME PROFILES / DOOR ELEVATIONS / FRAME ELEVATIONS |
| M000 | GENERAL NOTES / SCHEDULES |
| M101 | MECHANICAL DUCTWORK PLAN |
| M201 | MECHANICAL ROOF PLAN |
| M501 | DETAILS |
| M801 | DETAILS |
| T000 | SCHEDULES |
| T101 | GENERAL NOTES |
| T101 | TECHNOLOGY PLAN |
| T401 | TECHNOLOGY DETAILS |
| T402 | TECHNOLOGY DETAILS |
| T403 | TECHNOLOGY DETAILS |
| T403 | TECHNOLOGY DETAILS |
| T501 | TECHNOLOGY SYSTEM SPECIFICATIONS |
| T502 | TECHNOLOGY SYSTEM SPECIFICATIONS |
| T503 | TECHNOLOGY SYSTEM SPECIFICATIONS |
| T504 | TECHNOLOGY SYSTEM SPECIFICATIONS |
| T504 | TECHNOLOGY SYSTEM SPECIFICATIONS |
| E000 | GENERAL NOTES / SCHEDULE |
| E001 | ELECTRICAL SITE PLAN |
| E101 | ELECTRICAL LIGHTING PLAN |
| E201 | ELECTRICAL POWER PLAN |
| E202 | ELECTRICAL ROOF PLAN POWER |
| E401 | RISER DIAGRAM |
| E501 | DETAILS |

SOUTHGATE ELEMENTARY SCHOOL
OFFICE ADDITION
SET NO.

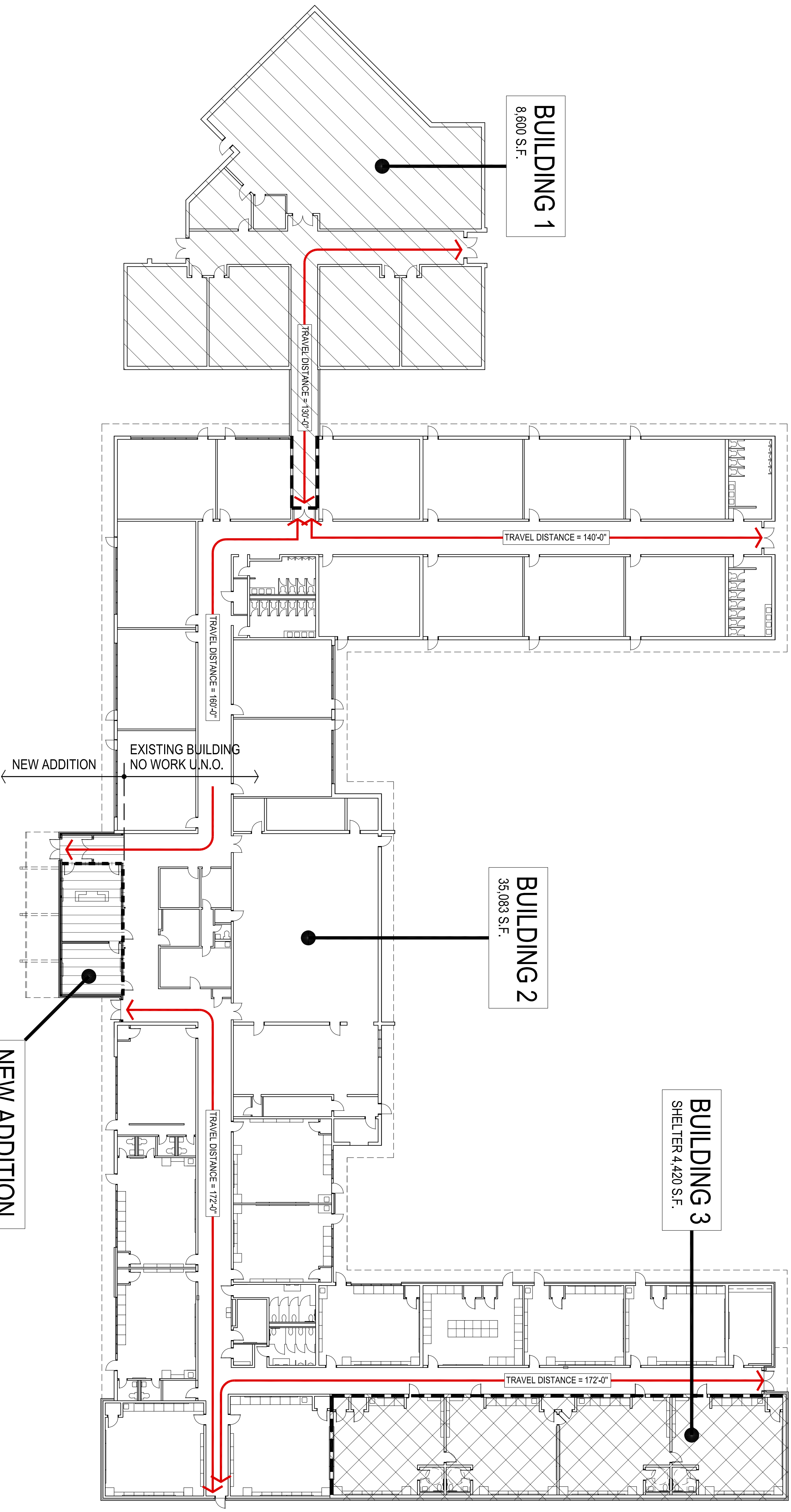
revisions:

sheet no:

C

date:

MARCH 2023



CONSTRUCTION DATA (TABLE 603):

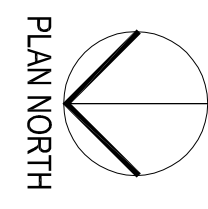
| | |
|------------------------|-----------------------|
| OCCUPANCY - | E |
| CONSTRUCTION TYPE - | TYPE II - B |
| BASIC ALLOWABLE AREA - | 58,000 S.F. PER FLOOR |
| ALLOWABLE STORIES - | 3 |
| ACTUAL STORIES - | 1 |
| ACTUAL HEIGHT - | 16'-0" |

BUILDING SIZES:
EXISTING BUILDING:

| |
|---|
| BUILDING 1 (1 STORY) @ 8,600 S.F. |
| BUILDING 2 (1 STORY) @ 35,083 TOTAL S.F. |
| BUILDING 3 (1 STORY) SHELTER @ 4,420 S.F. |
| ADDITION (1 STORY) @ 963 S.F. |
| TOTAL 49,086 S.F. |

STRUCTURAL FIRE PROTECTION (TABLE 601):

| | |
|---------------------------|----------------|
| INTERIOR BEARING WALLS | 0 HOUR |
| EXTERIOR BEARING WALLS | NONCOMBUSTIBLE |
| EXTERIOR NONBEARING WALLS | NONCOMBUSTIBLE |
| COLUMNS | 0 HOUR |
| BEAMS | 0 HOUR |
| PERMANENT PARTITIONS | NONCOMBUSTIBLE |
| FLOOR ASSEMBLIES | 0 HOUR |
| ROOF ASSEMBLIES | 0 HOUR |
| EXTERIOR OPENINGS | N/A |



FIRE CODE FLOOR PLAN
1/16" = 1'-0"

PASSIVE FIRE SAFETY SYSTEM:

- PORTABLE FIRE EXTINGUISHERS (RE: SHEET A103)
- TRAVEL DISTANCE = 200'-0" MAX.
- DEADEND - 25'-0" MAX.
- ACTUAL DEADEND - NONE
- ACTIVE FIRE SAFETY SYSTEMS:
- FIRE ALARM SYSTEM
- SMOKE DETECTION
- AUTOMATIC AIR HANDLING EQUIP. SHUTDOWN
- EXIT LIGHT/EMERGENCY LIGHTS BATTERY

CODES/REGULATIONS USED (CITY OF MOORE):

- 2015 IBC - INTERNATIONAL BUILDING CODE
- AMERICAN WITH DISABILITIES ACT ACCESSIBILITY GUIDELINES
- 2014 NATIONAL ELECTRICAL CODE
- 2015 INTERNATIONAL PLUMBING CODE
- 2015 INTERNATIONAL MECHANICAL CODE
- 2015 INTERNATIONAL FIRE CODE
- 2015 ENERGY CONSERVATION CODE
- ASSOCIATED SUPPLEMENTS TO EACH CODE

OCCUPANT LOAD (TABLE 1004.1.1):

- EXISTING BUILDING 1, 2 & 3 - 34 CLASSROOM @ 17,000 TOTAL NET S.F. / 20 S.F. PER OCCUPANT = 850 OCCUPANTS
- NEW ADDITION - 3 OCCUPANTS
- TOTAL OCCUPANTS = 853 OCC.
- EXISTING EGRESS WIDTH:
- BUILDING 1, 2 & 3: REQUIRED 170'S'
- BUILDING 1, 2, 3 & ADDITION PROVIDED 504'

EXISTING TOTAL OCCUPANT LOAD

- NEW ADDITION = 3
- TOTAL OCCUPANTS = 853 OCC.
- TOTAL REQUIRED:
- WATER CLOSETS / URINALS = 18
- LAVATORIES = 18
- DRINKING FOUNTAIN = 9
- SERVICE SINKS = 1
- TOTAL PROVIDED:
- WATER CLOSETS + URINALS = 42
- LAVATORIES = 32
- DRINKING FOUNTAINS = 5
- SERVICE SINKS = 2

EXISTING 2 HOUR PARTITIONS - REPRESENTS EXISTING MASONRY WALLS.

NOTE:
THIS PLAN INDICATES WALL TO CLOSE OUT TO STRUCTURE DUE TO FIRE CODE REQUIREMENTS FOR THE NEW ADDITION ONLY. THIS IS NOT A REPRESENTATION OF ALL WALLS NEED TO CLOSE OUT THROUGHOUT EXISTING BUILDING

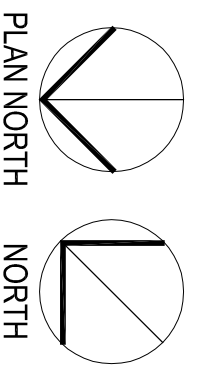
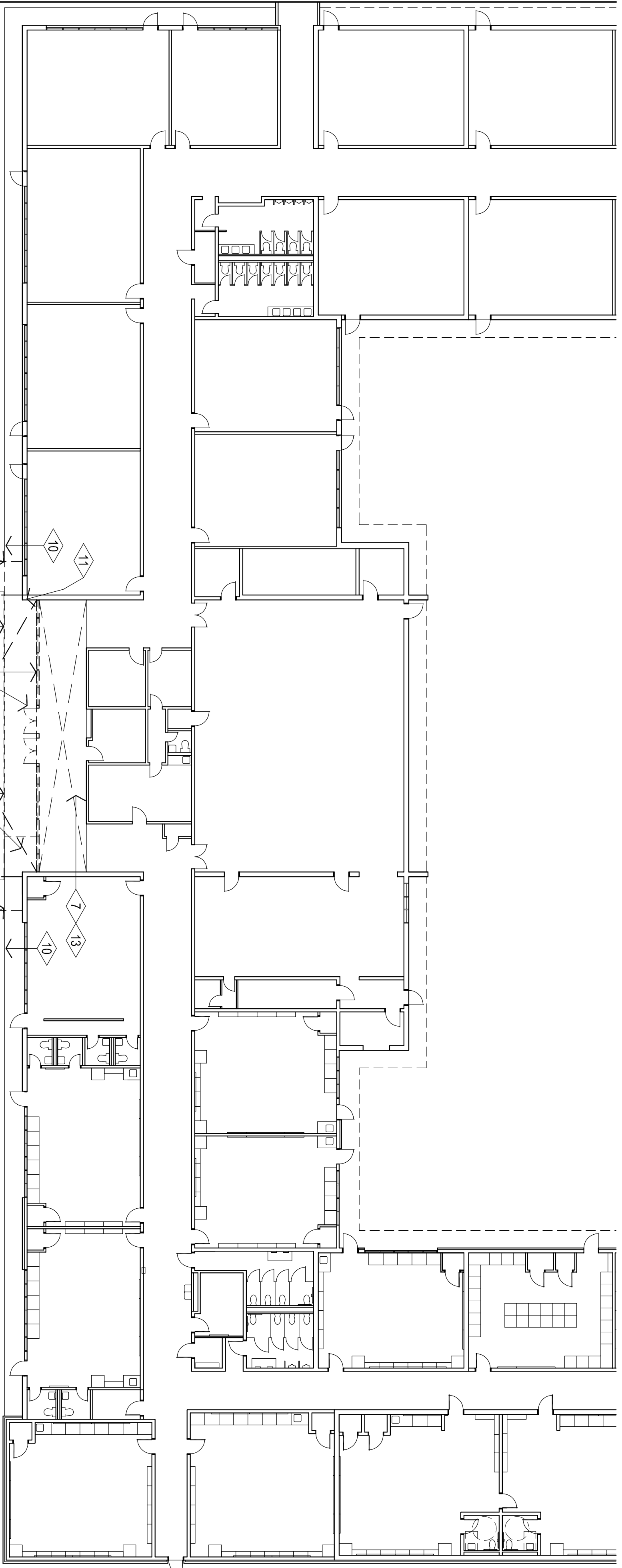
DENOTES 1 HR. RATED PARTITIONS CLOSE-OUT TO BOTTOM OF DECKING - CLOSE-OUT PARTITIONS TO BE ONU WHERE INDICATED ON STRUCTURAL FOR LOAD BEARING CONDITIONS. ALL OTHER INDICATED LOCATIONS TO BE CONSTRUCTED OF 1 LAYER OF 5/8" FIRE RATED GYP. BOARD EACH SIDE ON 6" METAL STUDS @ 16" O.C. STAGGER ALL JOINTS & PROVIDE FIRE TAPE SEAL ALL PENETRATIONS W/ CONTINUOUS FIRE STOPPING INSULATION & OR SEALANT.

GENERAL NOTES:

1. FILL GRADE & PREPARE ALL EXCAVATED AREAS TO RECEIVE NEW SITE FEATURES.
2. CONTRACTOR TO VISIT SITE PRIOR TO PREPARING BID, & VERIFY ALL ITEMS TO BE DEMOLISHED. ANY ADDITIONAL ITEMS REQUIRING DEMOLITION THAT ARE NOT INCLUDED IN THESE DOCUMENTS SHOULD BE BROUGHT TO THE IMMEDIATE ATTENTION OF THE ARCHITECT AND INCLUDED IN THE BASE BID.
3. EXISTING UNDERGROUND UTILITY LOCATIONS & CONTOUR INFORMATION HAVE BEEN OBTAINED FROM THE BEST AVAILABLE SOURCES. THE CONTRACTOR SHALL FIELD VERIFY ALL EXISTING CONDITIONS PRIOR TO COMMENCING WORK & COORDINATE W/ ARCHITECT.
4. CONTRACTORS TO FIELD VERIFY ALL EXISTING ELEVATIONS PRIOR TO STARTING EARTHWORK - AND ADJUST ACCORDINGLY AS DIRECTED BY THE ARCHITECT.
5. DURING ALL EXISTING UTILITY REVISIONS - TEMPORARY SERVICE IS TO BE PROVIDED @ ALL EFFECTED BUILDINGS.
6. ALL SALVAGEABLE ITEMS TO REMAIN OWNERS PROPERTY & SHALL BE STORED OR DISPOSED OF AS PER OWNERS INSTRUCTIONS.
7. CONSTRUCTION SHALL MEET ALL APPLICABLE CODES, ORDINANCES, REGULATIONS & STANDARDS REQUIRED BY THE CITY OF MOORE, OKLAHOMA.
8. CONSTRUCTION SHALL MEET ALL APPLICABLE REQUIREMENTS OF THE AMERICANS W/ DISABILITIES ACT INCLUDING ANY SUPPLEMENTAL REQUIREMENTS BY THE CITY OF MOORE, OKLAHOMA.
9. CONTRACTOR SHALL COORDINATE ACCESS TO SITE W/ OWNER PRIOR TO STARTING WORK. OBTAIN APPROVAL FROM OWNER FOR ON-SITE MATERIAL STORAGE, ETC. CONTRACTOR SHALL PROVIDE PROPER SEPARATION BTWN. WORK & STUDENTS.

DEMOLITION NOTES:

- ◊1 REMOVE EXISTING SOFFIT AND FRAMING. PREPARE AREA TO RECEIVE NEW ADDITION. RE: 11A301, PROTECT SOFFIT TO REMAIN. PATCH / REPLACE AS REQUIRED MATCH EXISTING.
- ◊2 REMOVE ALL EXISTING WALL MOUNTED ITEMS TO BE SALVAGED. RE: ELECTRICAL & COORDINATE W/ ARCHITECT & OWNER.
- ◊3 DEMOLISH EXISTING CONCRETE STOOP & PREPARE SUBSTRATE TO RECEIVE NEW CONCRETE SLAB. RE: A102 & STRUCTURAL
- ◊4 REMOVE EXIST. STORE FRONT SYSTEM AND PREPARE FOR NEW CONSTRUCTION
- ◊5 DEMOLISH EXISTING CONCRETE SIDEWALKS TO LIMITS INDICATED. FILL & COMPACT VOIDS & PREPARE FOR OFFICE ADDITION. WHERE APPLICABLE. PROTECT EXISTING CONCRETE SIDEWALKS TO REMAIN. REPAIR / REPLACE ANY SIDEWALKS DAMAGED DURING CONSTRUCTION W/ NEW TO MATCH EXISTING.
- ◊6 DEMOLISH EXISTING STEEL STRUCTURE CANOPY ENTIRELY INCLUDING CONCRETE FOUNDATIONS, ETC.
- ◊7 DEMOLISH EXISTING CEILING TILES & GRID TO LIMITS INDICATED
- ◊8 DEMOLISH EXISTING CONCRETE CURB & PREPARE SUBSTRATE TO RECEIVE NEW CONCRETE CURB. RE: C100
- ◊9 RELOCATE EXISTING BIKE RACK AS DIRECTED BY OWNER.
- ◊10 REMOVE EXISTING DOWNSPOUTS. MODIFY / REPLACE EXISTING GUTTERS AS REQUIRED FOR POSITIVE DRAINAGE TO NEW DOWNSPOUT LOCATION MATCH EXISTING SIZE. MATERIAL, ETC. RE: A201
- ◊11 REMOVE EXISTING SURFACE MOUNTED KNOX BOX AND RELOCATE AS PER AHJ AND OWNER.
- ◊12 REMOVE EXISTING LIGHT FIXTURES CONDUIT AND ASSOCIATED MATERIALS AT UNDERSIDE OF EXISTING CANOPY. TERMINATE AT NEAREST JUNCTION BOX INSIDE BUILDING AS REQUIRED BY CODE.
- ◊13 REMOVE EXISTING LIGHT FIXTURES AND ASSOCIATED MATERIALS AT EXISTING CORRIDOR. BUILDING AS REQUIRED BY CODE. RE: ELECTRICAL FOR NEW FIXTURES



DEMOLITION PLAN
1/16" = 1'-0"

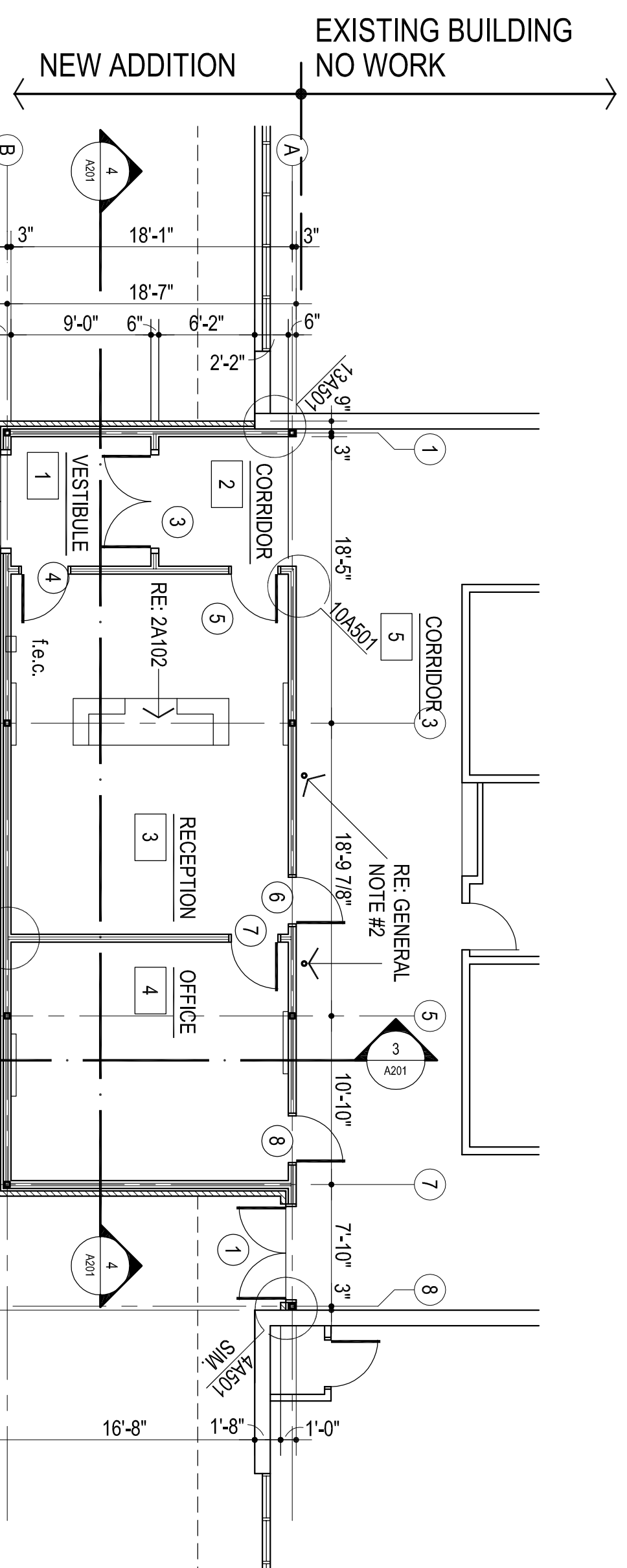
EXISTING CONC.
CURB TO REMAIN

66'-0" +/- F.V.

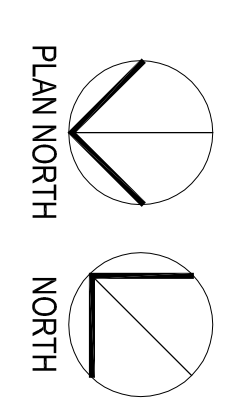
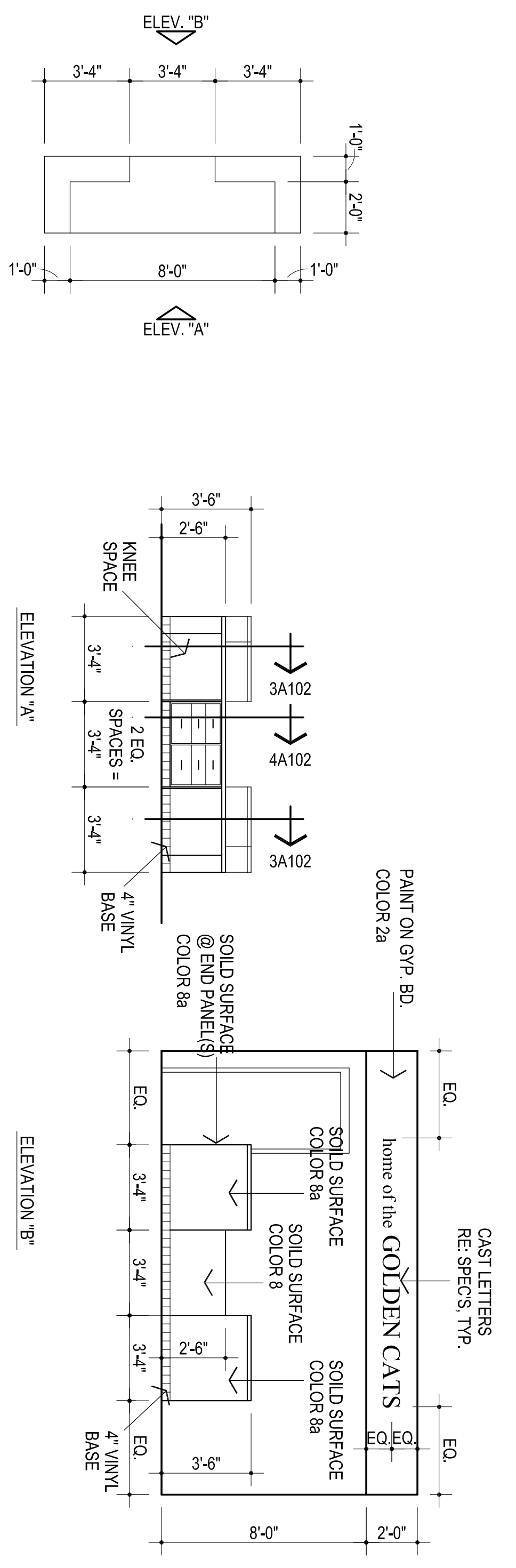
EXISTING CONC.
CURB TO REMAIN

EXISTING CONC.
SIDEWALK TO REMAIN

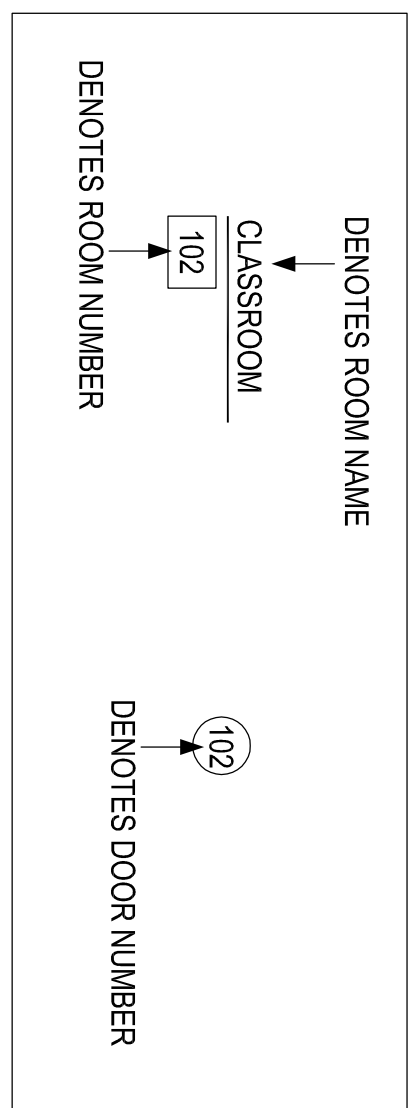
EXISTING CONC.
SIDEWALK TO REMAIN



2 MILLWORK ROOM #3
1/4" = 1'-0"

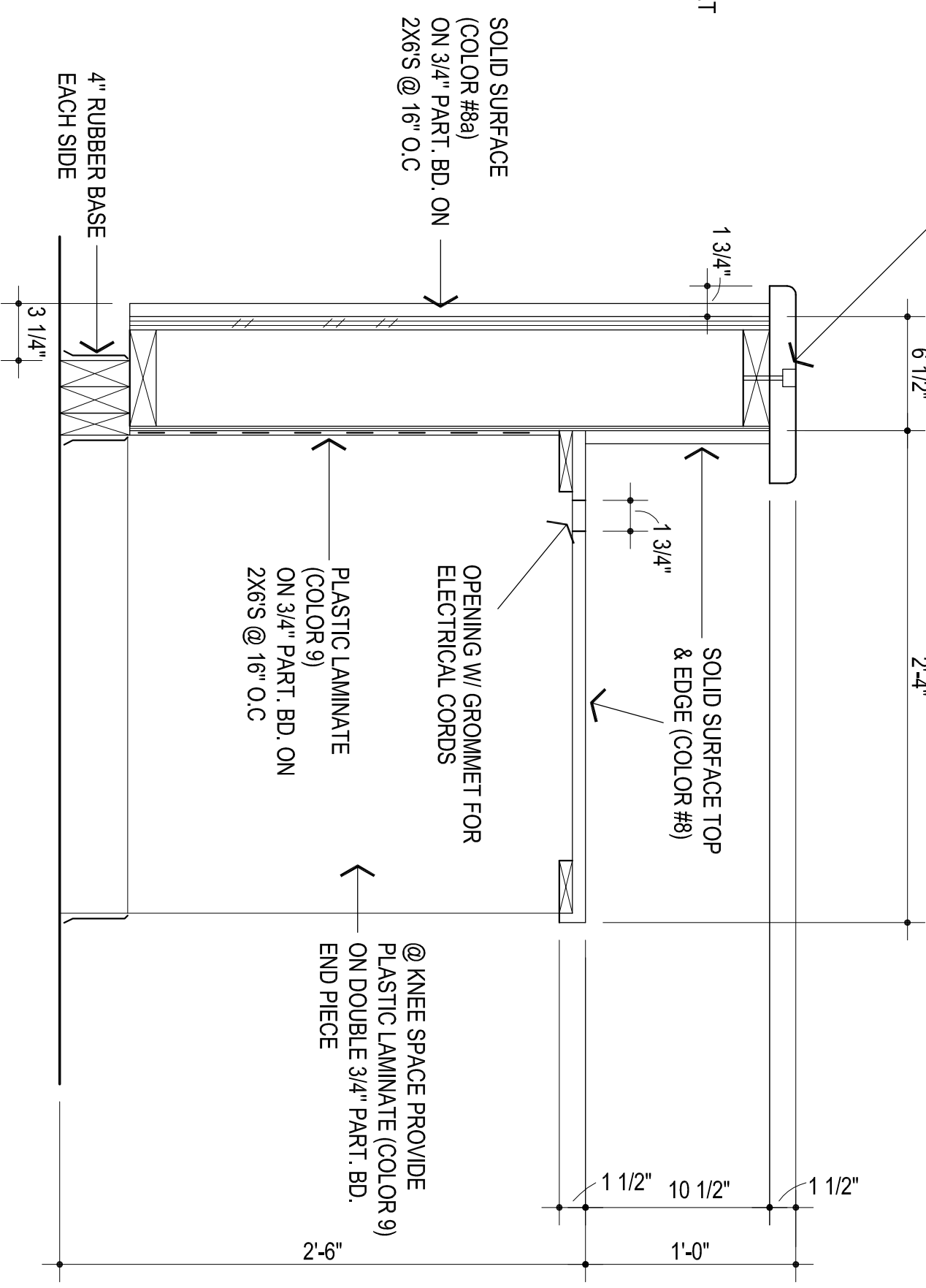


1 FLOOR PLAN
1/8" = 1'-0"
963 sq. ft.

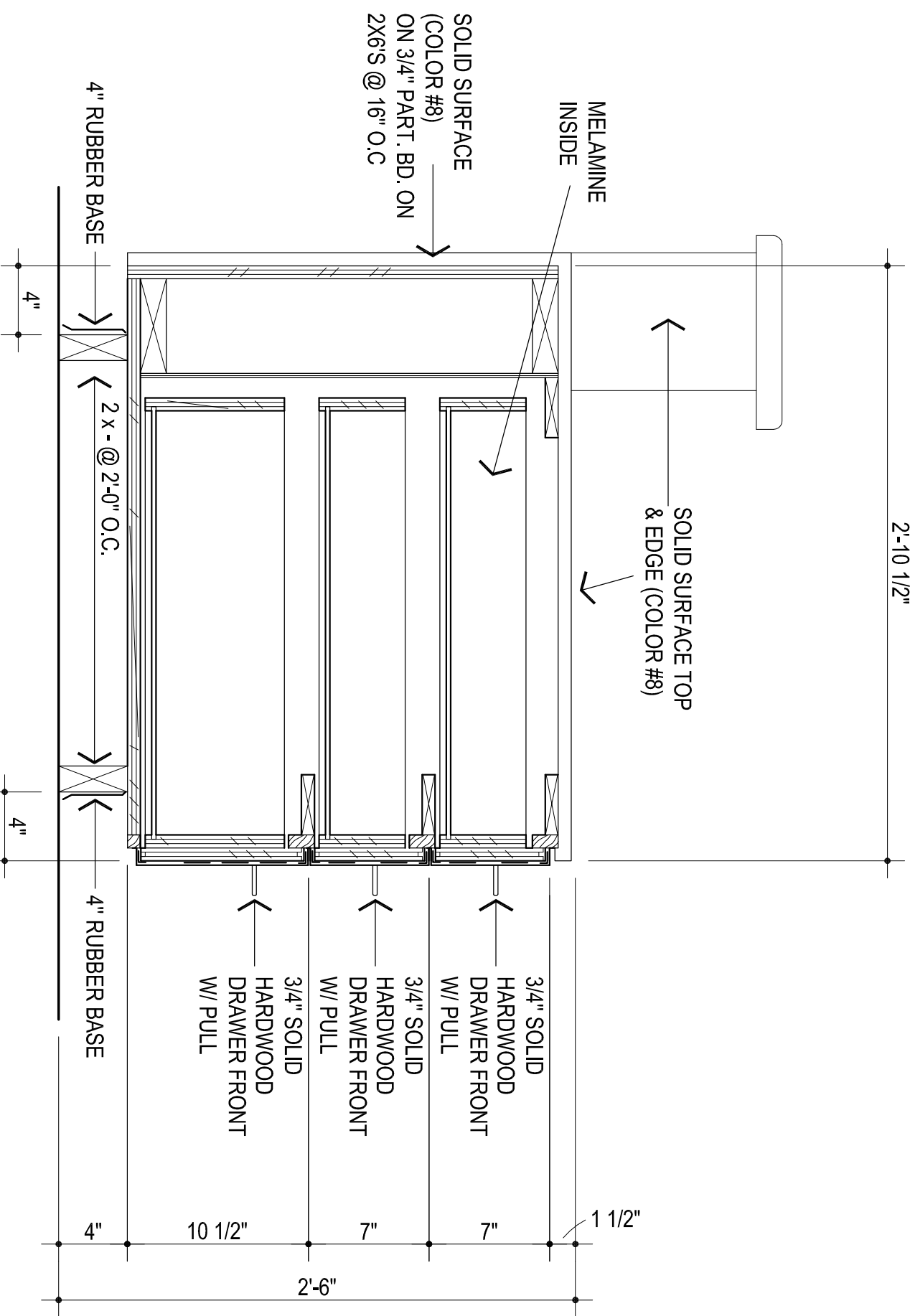


- MISCELLANEOUS NOTES:
1. F.E.C. - FIRE EXTINGUISHER AND CABINET
 2. EXISTING COLUMNS TO REMAIN PAINT TO MATCH NEW WALLS

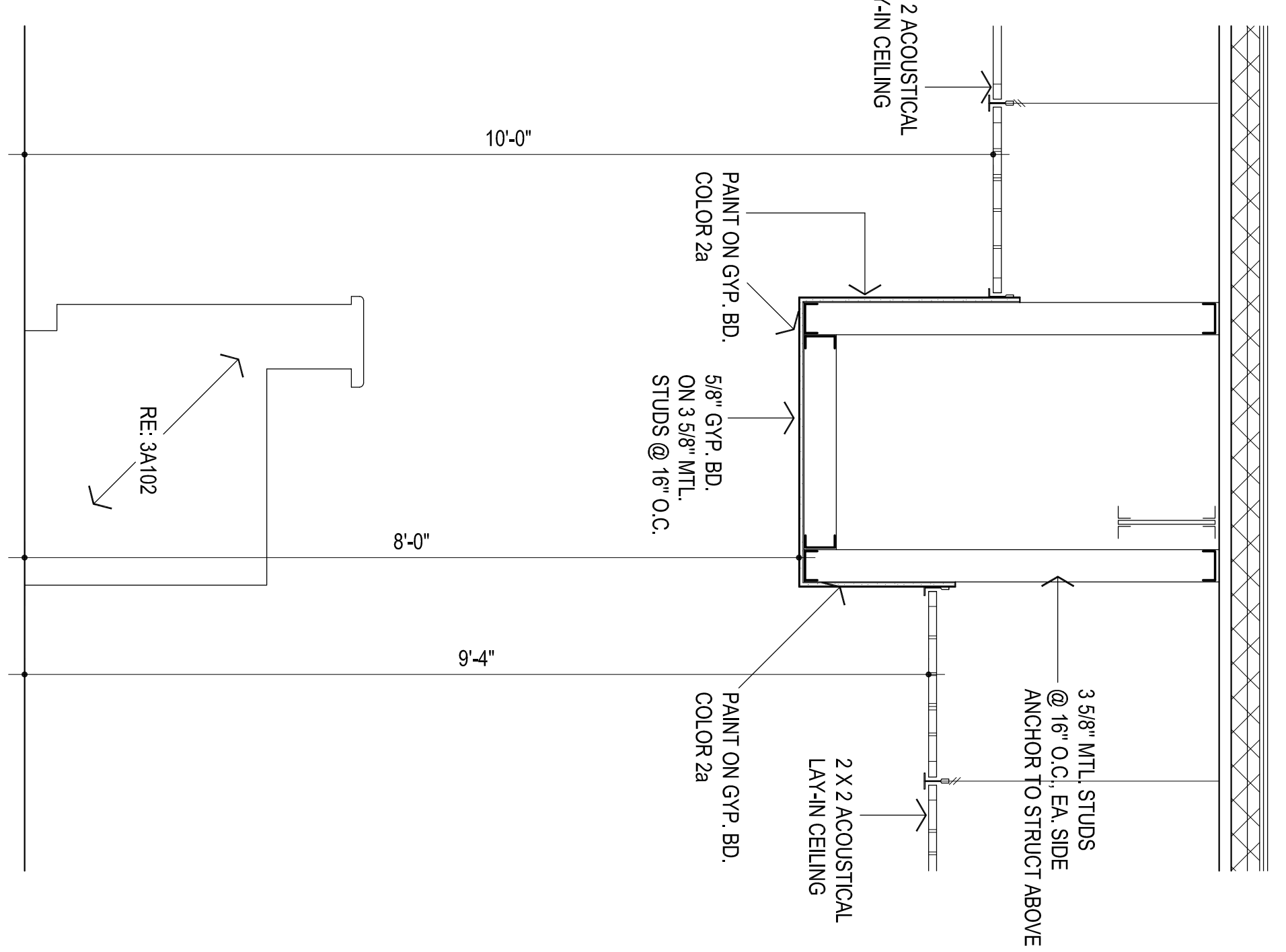
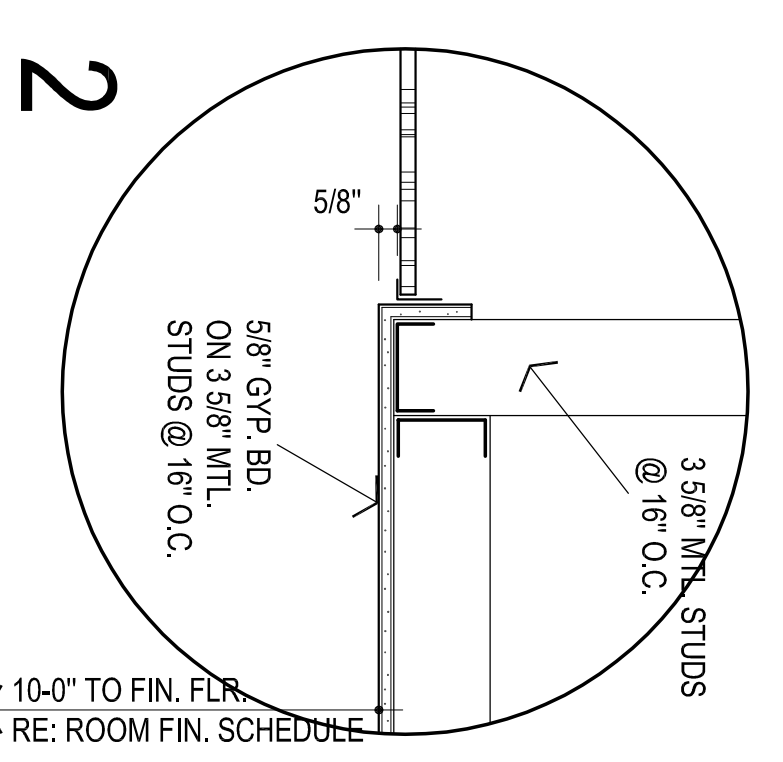
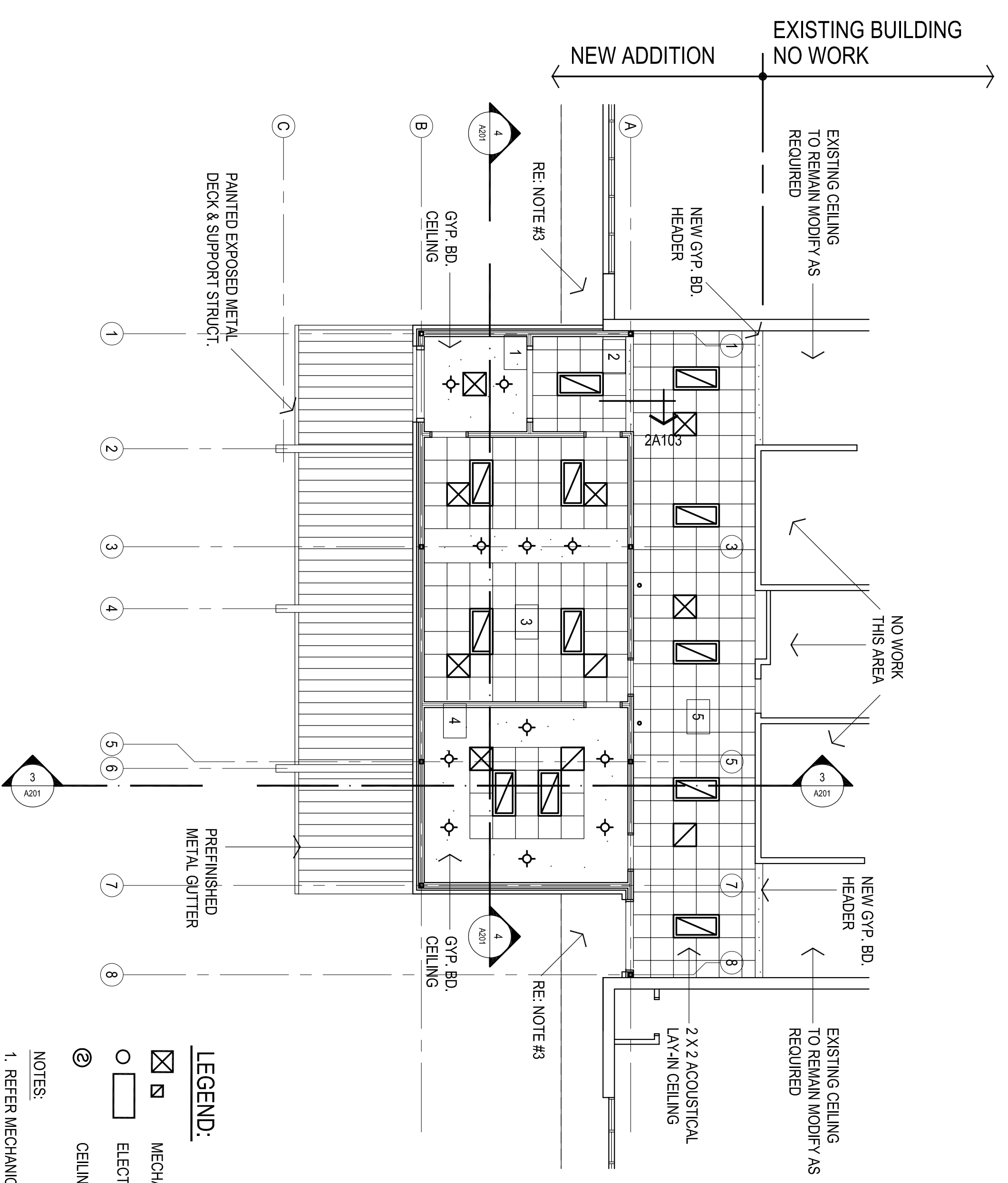
1X12 SOLID RED OAK CAP -
EASE ALL EXPOSED CORNERS
COUNTER SINK ANCHOR TO SUBFRAMING
& PLUG W/ MATCHING MATERIAL
PROVIDE @ 16" O.C.



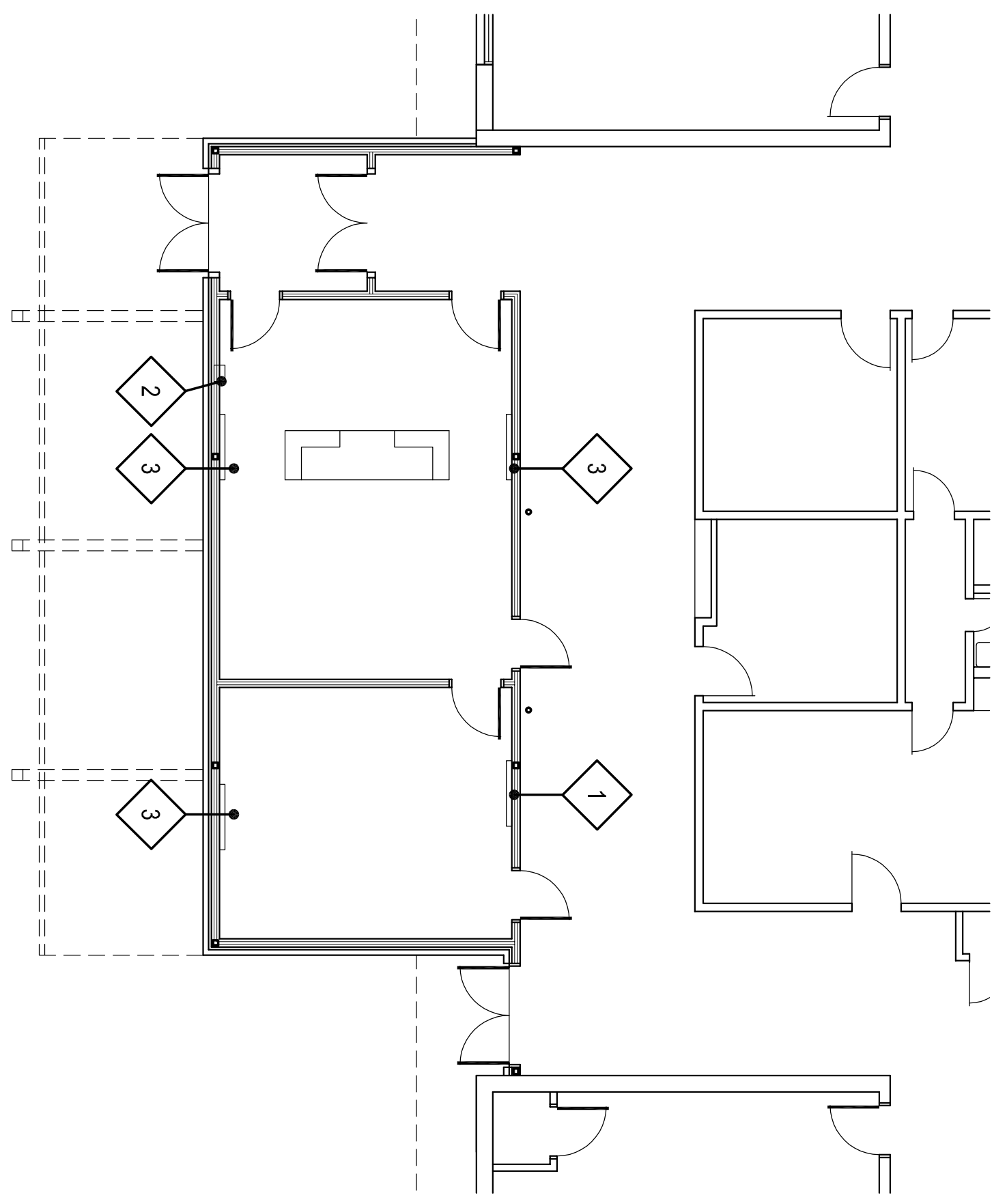
3 SECTION @ COUNTER
1 1/2" = 1'-0"



4 SECTION @ COUNTER
1 1/2" = 1'-0"



1 REFLECTED CEILING PLAN
1/8" = 1'-0"



4 EQUIPMENT PLAN
1/8" = 1'-0"

| ITEM NO. | QTY | C / I | DESCRIPTION | MANUFACTURER | | REMARKS |
|----------|-----|-------|-----------------------------|--------------------------|----------------------|-------------------------------|
| | | | | NAME | MODEL NO. | |
| 1 | 1 | ● | MARKERBOARD - 4'-0" | BEST-RITE CHALKBOARD CO. | RE: SPECS | W/ CHALK RAIL |
| 2 | 1 | ● | FIRE EXTINGUISHER & CABINET | JL INDUSTRIES | RE: SPECS | |
| 3 | 1 | ● | TACKBOARD - 4'-0" | BEST-RITE CHALKBOARD CO. | RE: SPECS | |
| 4 | 1 | ● | OFFICE DESK | HON | SINGLE FULL PEDESTAL | RECTANGULAR TOP / SWEEP PULLS |
| 5 | 1 | ● | CREDENZA | HON | SINGLE FULL | SWEEP PULLS |
| 6 | 1 | ● | TABLE W/ CHAIRS | | | |

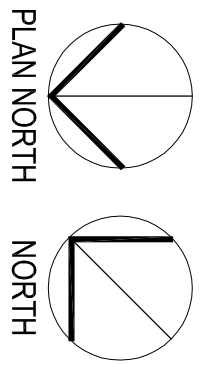
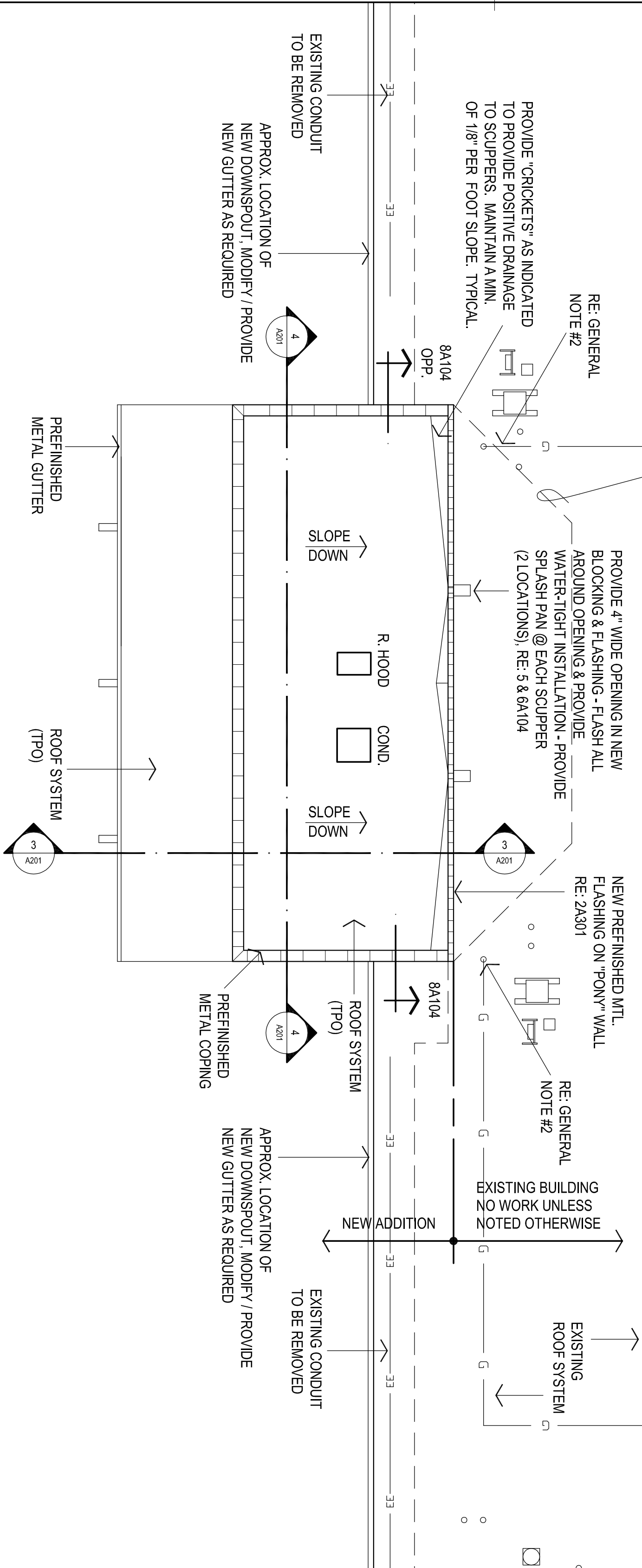
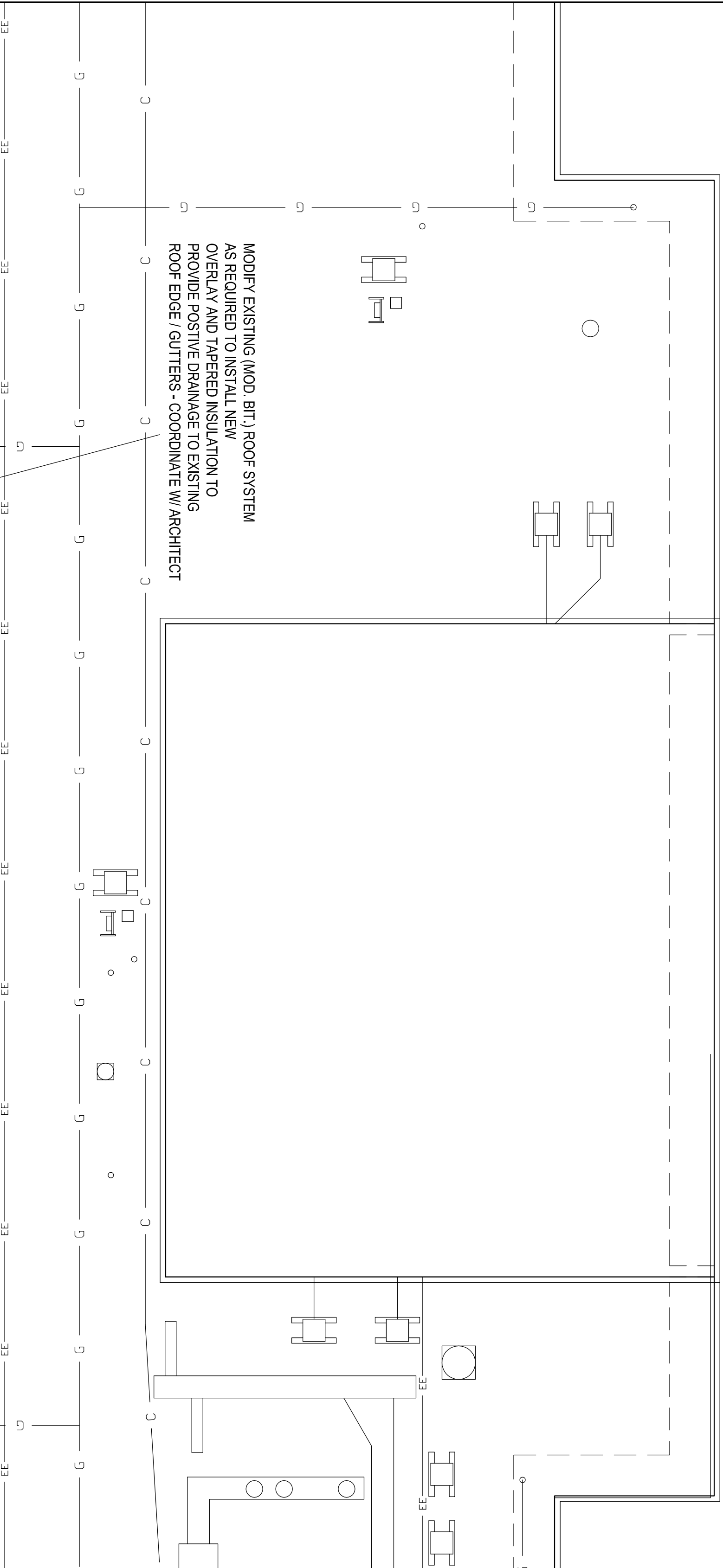
- LEGEND:**
- ☒ MECHANICAL OPENINGS
 - ELECTRICAL FIXTURES
 - ⊙ CEILING MOUNTED SMOKE DETECTOR; RE: ELEC
- NOTES:**
- REFER MECHANICAL & ELECTRICAL FOR ANY ADDITIONAL CEILING MOUNTED FIXTURES
 - REFER TO SHEET A100 FOR LOCATIONS OF FIRE-RATED WALLS
 - EXISTING SOFFIT TO REMAIN PROVIDE NEW SOFFIT MATERIALS, TRIM, ETC FOR COMPLETE INSTALLATION. SALVAGE EXISTING SOFFIT TO BE REMOVED AS PRACTICAL FOR REUSE.

3 SECTION
3/4" = 1'-0"

LEGEND :

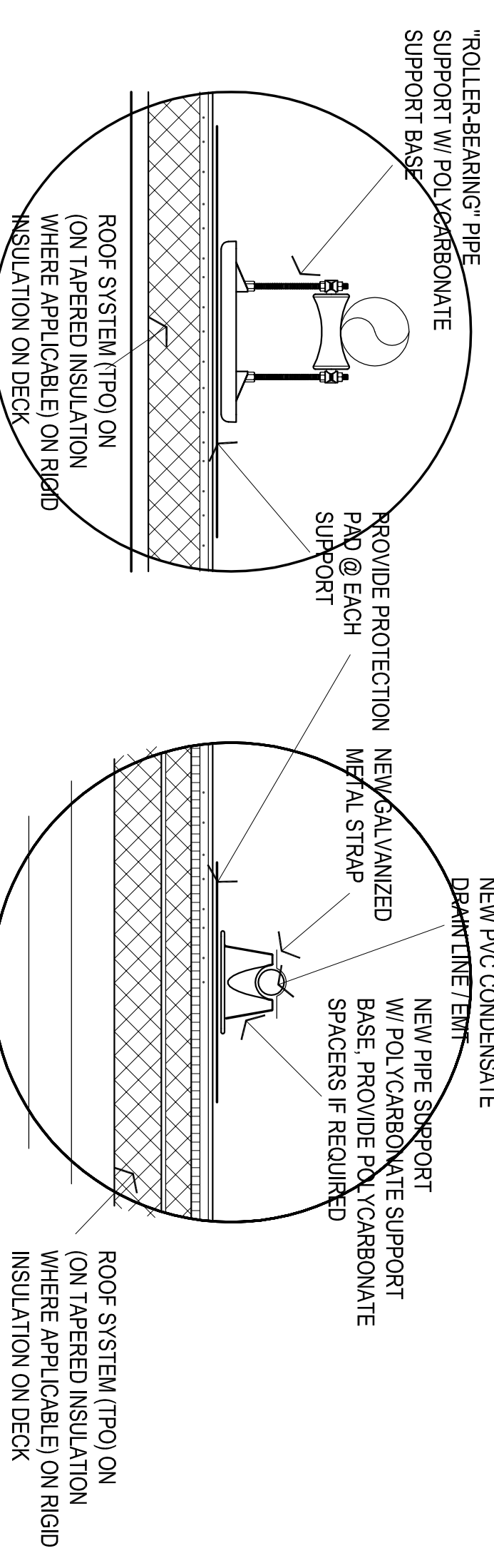
- ◊ CONTRACTOR FURNISHED AND INSTALLED (CFI)
- ◊ OWNER FURNISHED AND INSTALLED (OF / OI)

5 EQUIPMENT / FURNITURE SCHEDULE
1/8" = 1'-0"

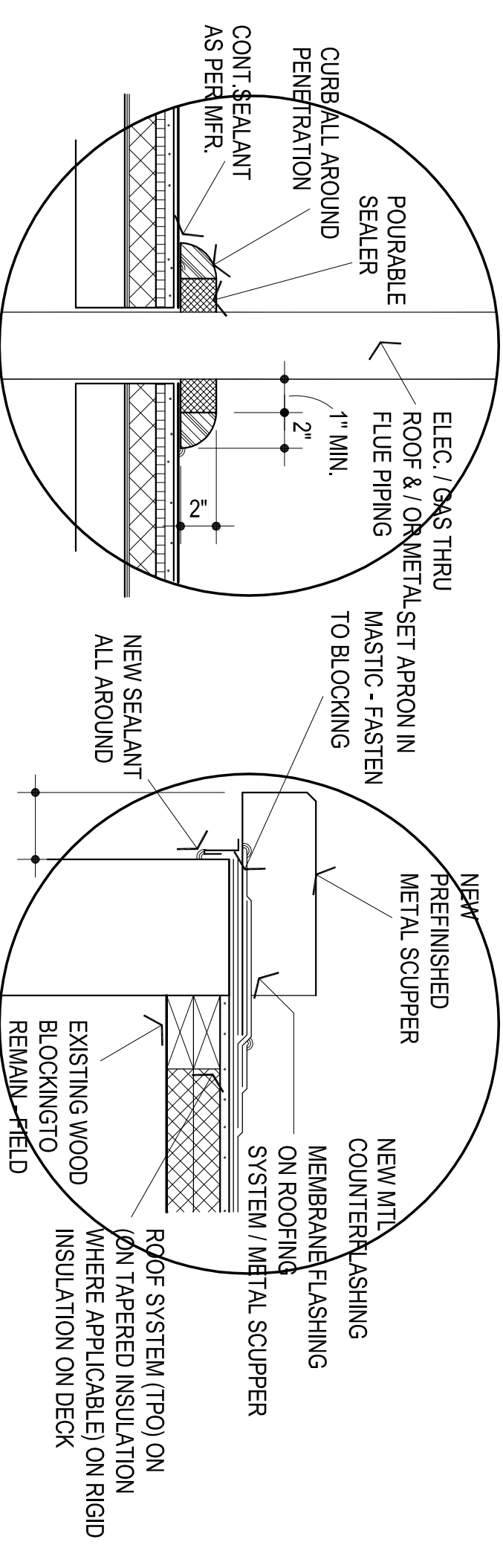


ROOF PLAN
1/16" = 1'-0"

- NOTES:
1. RE: MECH & ELEC. FOR ADDITIONAL ROOF MOUNTED ITEMS. CONTRACTOR TO COORDINATE ALL ROOF MOUNTED ITEMS & PENETRATIONS W/ APPLICABLE TRADES. PROVIDE "CRICKETS" AT HIGH SIDE OF ALL CURBS.
 2. REROUTE EXISTING GAS LINES AS REQUIRED FOR NEW ADDITION & NEW ROOFING. PROVIDE ALL MATERIALS AS REQUIRED FOR A COMPLETE AND WATER TIGHT INSTALLATION.

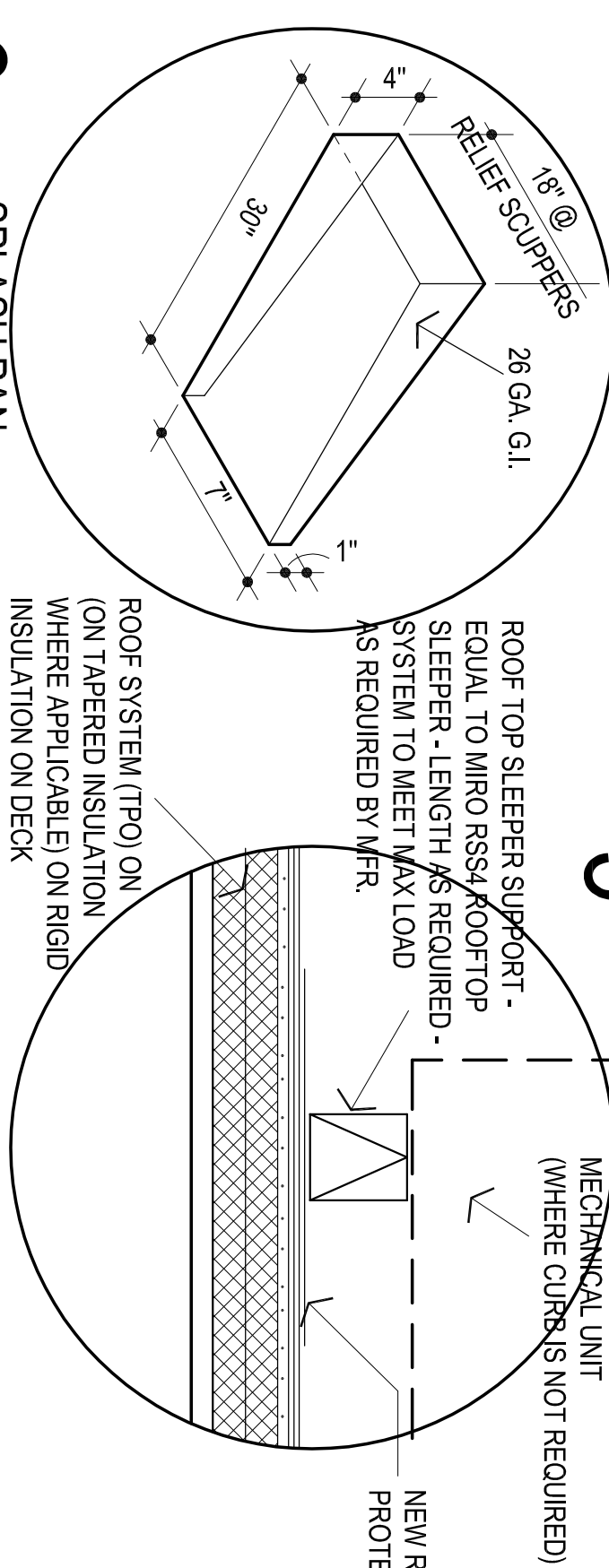


2 ADJUSTABLE PIPE SUPPORTS - FRONT VIEW
NO SCALE



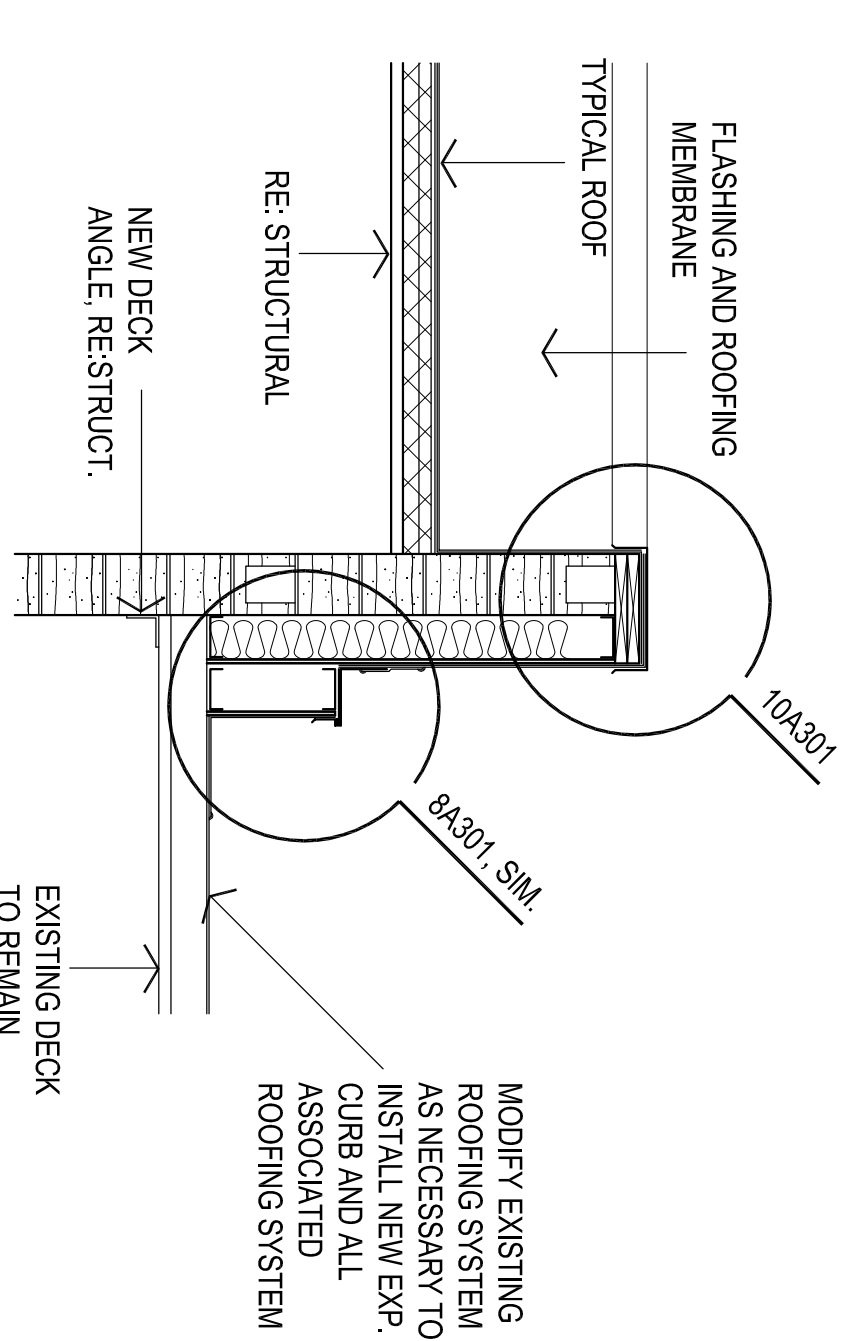
3 DETAIL @ PVC / EMT SUPPORT
NO SCALE

4 PENETRATION DAM / SEALER POCKET @ MAJOR PENETRATIONS
NO SCALE



6 SPLASH PAN
NO SCALE

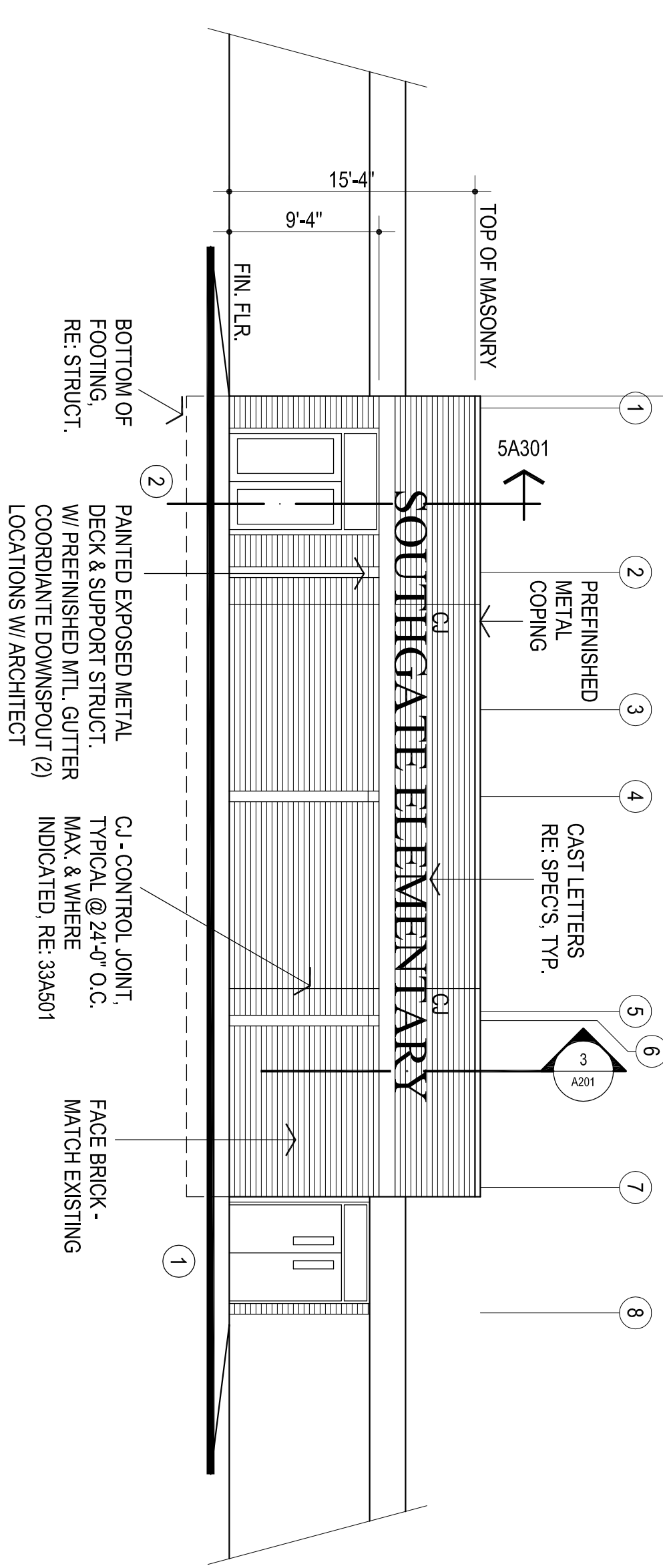
7 MECH. UNIT SUPPORT
NO SCALE



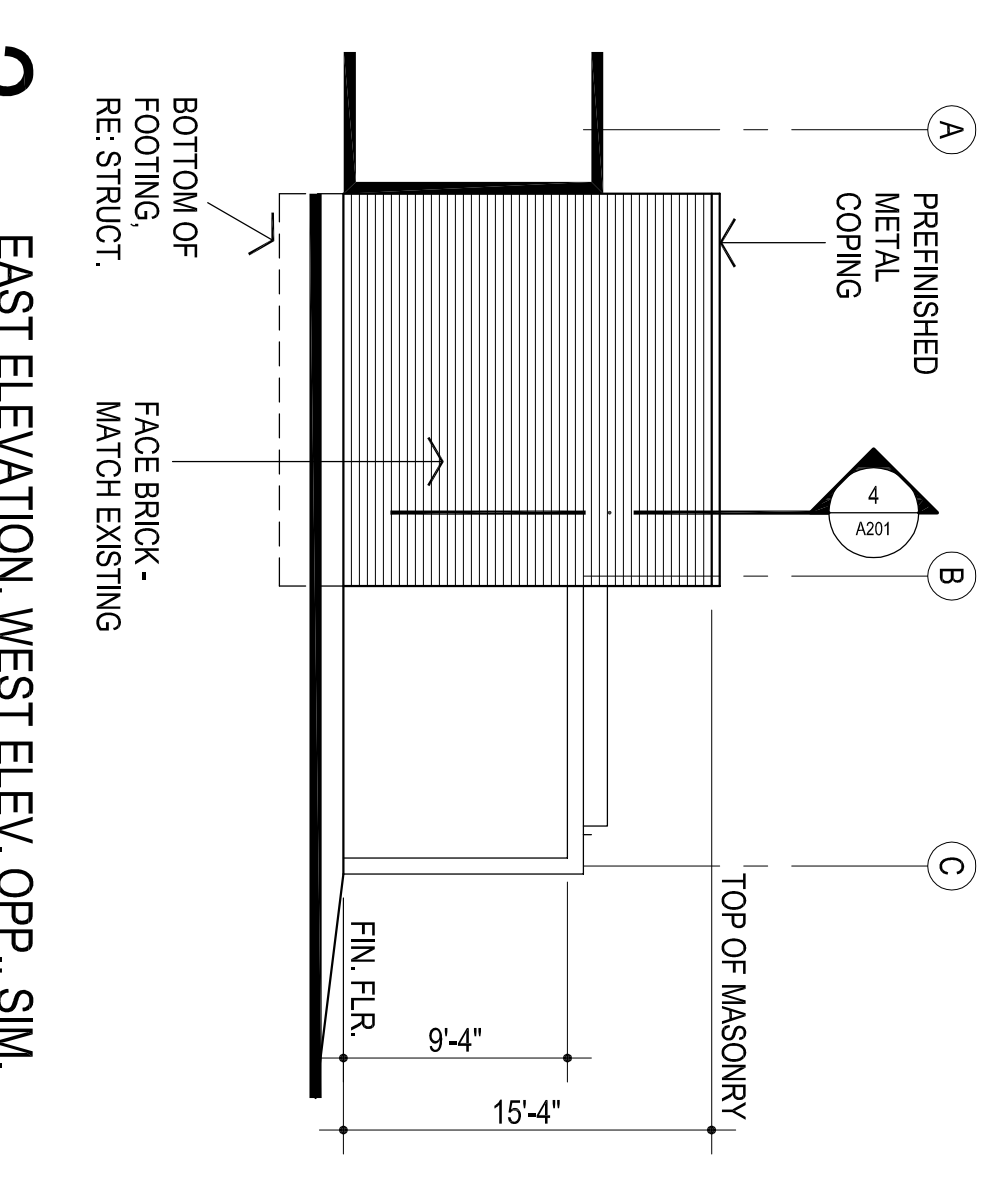
8 WALL SECTION
1/2" = 1'-0"

EXISTING BUILDING
NO WORK UNLESS
NOTED OTHERWISE

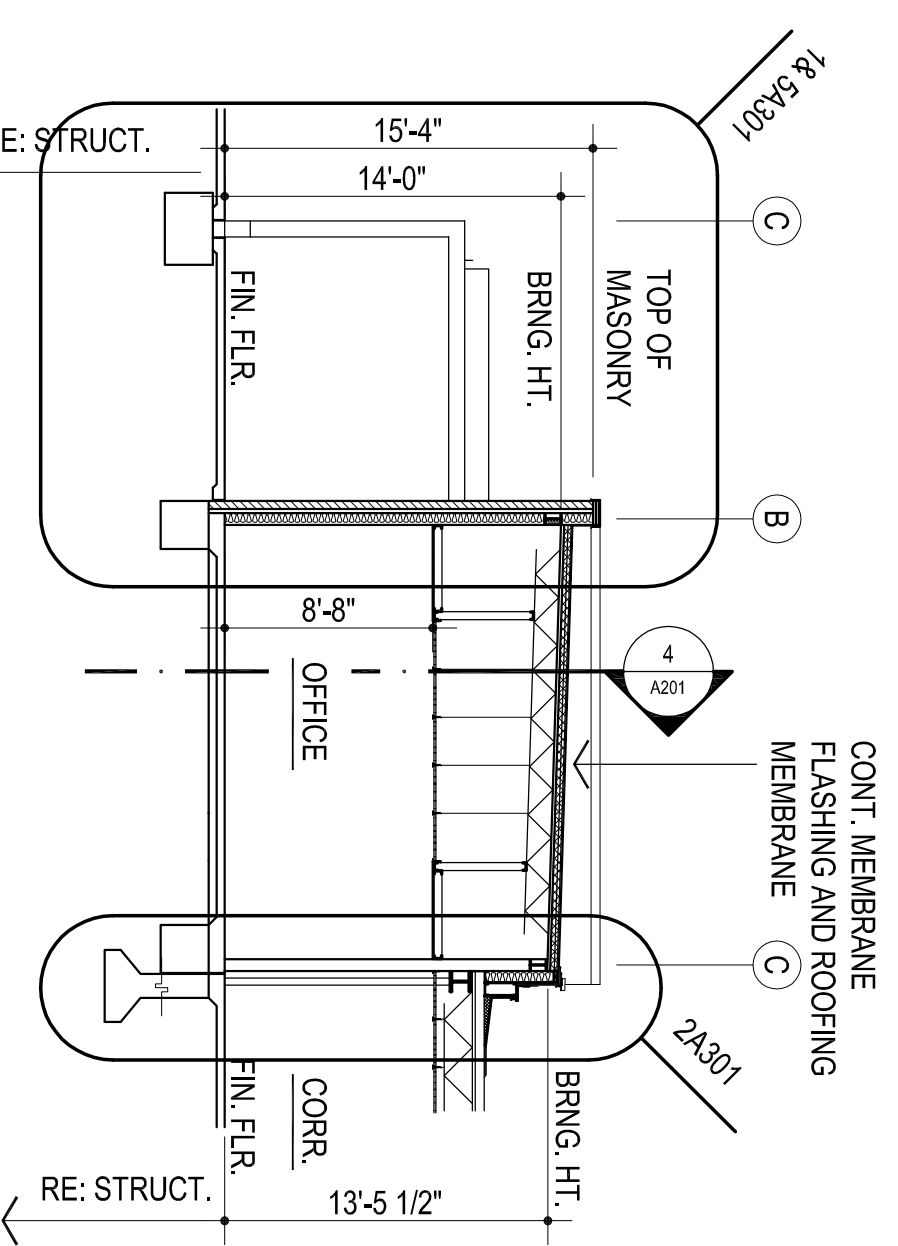
NEW ADDITION



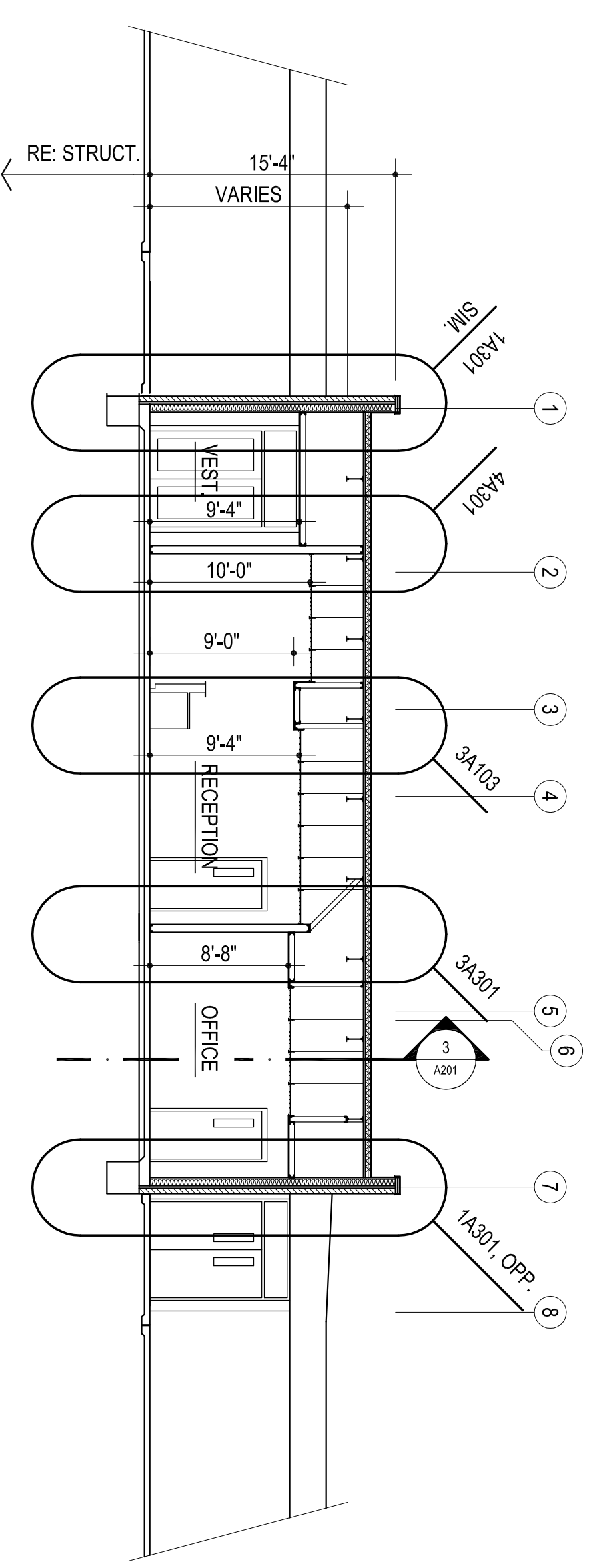
1
NORTH ELEVATION
1/8" = 1'-0"



2
EAST ELEVATION, WEST ELEV. OPP., SIM.
1/8" = 1'-0"



3
BUILDING SECTION
1/8" = 1'-0"



4
BUILDING SECTION
1/8" = 1'-0"

REFER STRUCTURAL DRAWINGS FOR TOP OF FOOTING ELEVATIONS - PROVIDE ALL MATERIALS REQUIRED FOR WALL SYSTEM TO EXTEND TO TOP OF FOOTING



the Abla Griffin
Partnership L.L.C.

201 N. BROADWAY
SUITE 210
MOORE, OK. 73160
405.735.3477
ACGP@theACGP.net
www.theACGP.net

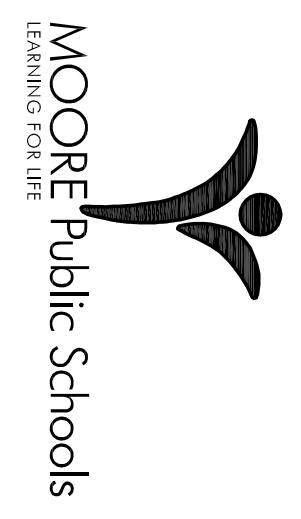
KFC ENGINEERING
STRUCTURAL

SALAS OBRIEN
MECHANICAL/ELECTRICAL



CG
designed by
MA
checked by
MARCOJ 2023
0408
revisions

MOORE PUBLIC SCHOOLS
BOARD OF EDUCATION
MOORE, OKLAHOMA



OFFICE
ADDITION -
SOUTHGATE
ELEMENTARY SCHOOL

A201

OWNERSHIP USE OF DOCUMENTS:
ACGP EXPRESSLY RESERVES ITS
COPYRIGHT AND OTHER PROPERTY
RIGHTS OF ALL PLANS AND DRAWINGS
DESIGNED AND/OR PRODUCED HEREIN.
NO PART OF THIS DOCUMENT SHALL BE
REPRODUCED IN ANY FORM OR MANNER
WITHOUT THE EXPRESSED WRITTEN
CONSENT OF ACP.



3/12/23

CG
designed by
MA
checked by
MARCUS 2823
088
revisions

MOORE PUBLIC SCHOOLS
BOARD OF EDUCATION
MOORE, OKLAHOMA

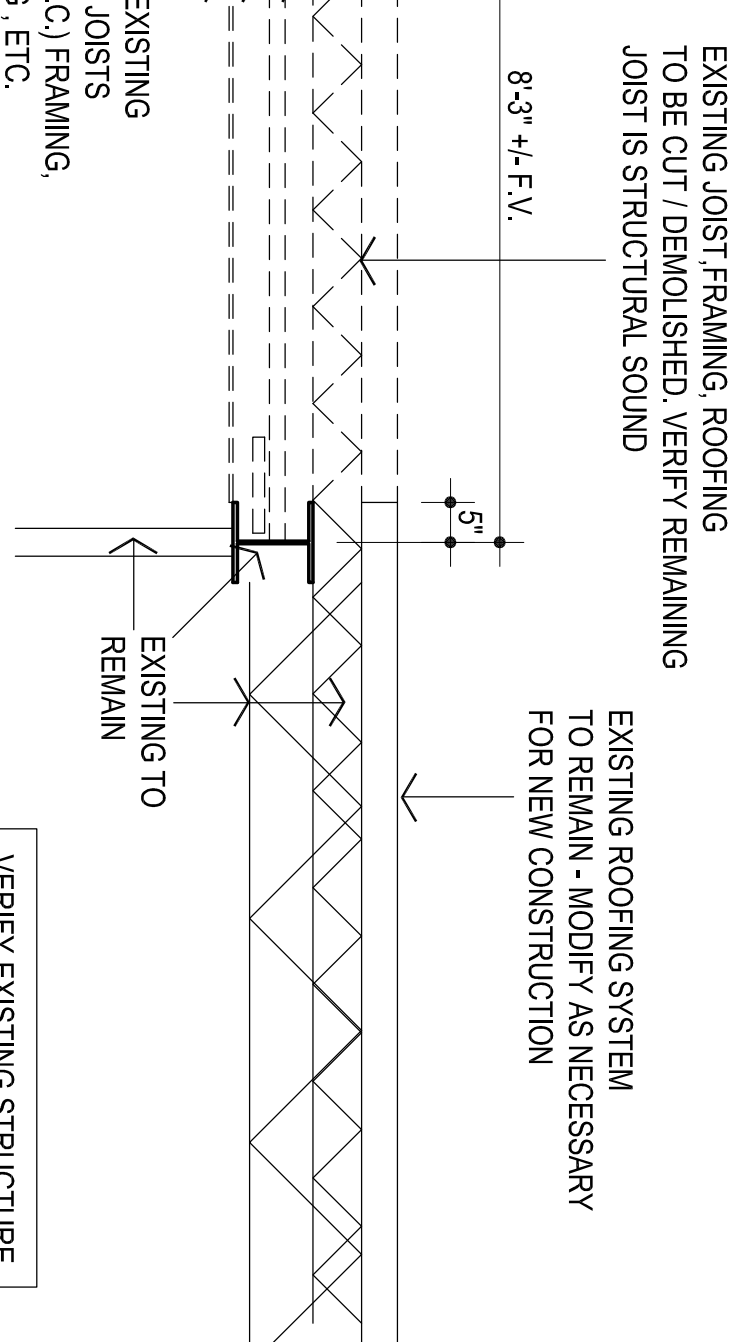
MOORE Public Schools
LEARNING FOR LIFE

OFFICE
ADDITION -
SOUTHGATE
ELEMENTARY SCHOOL

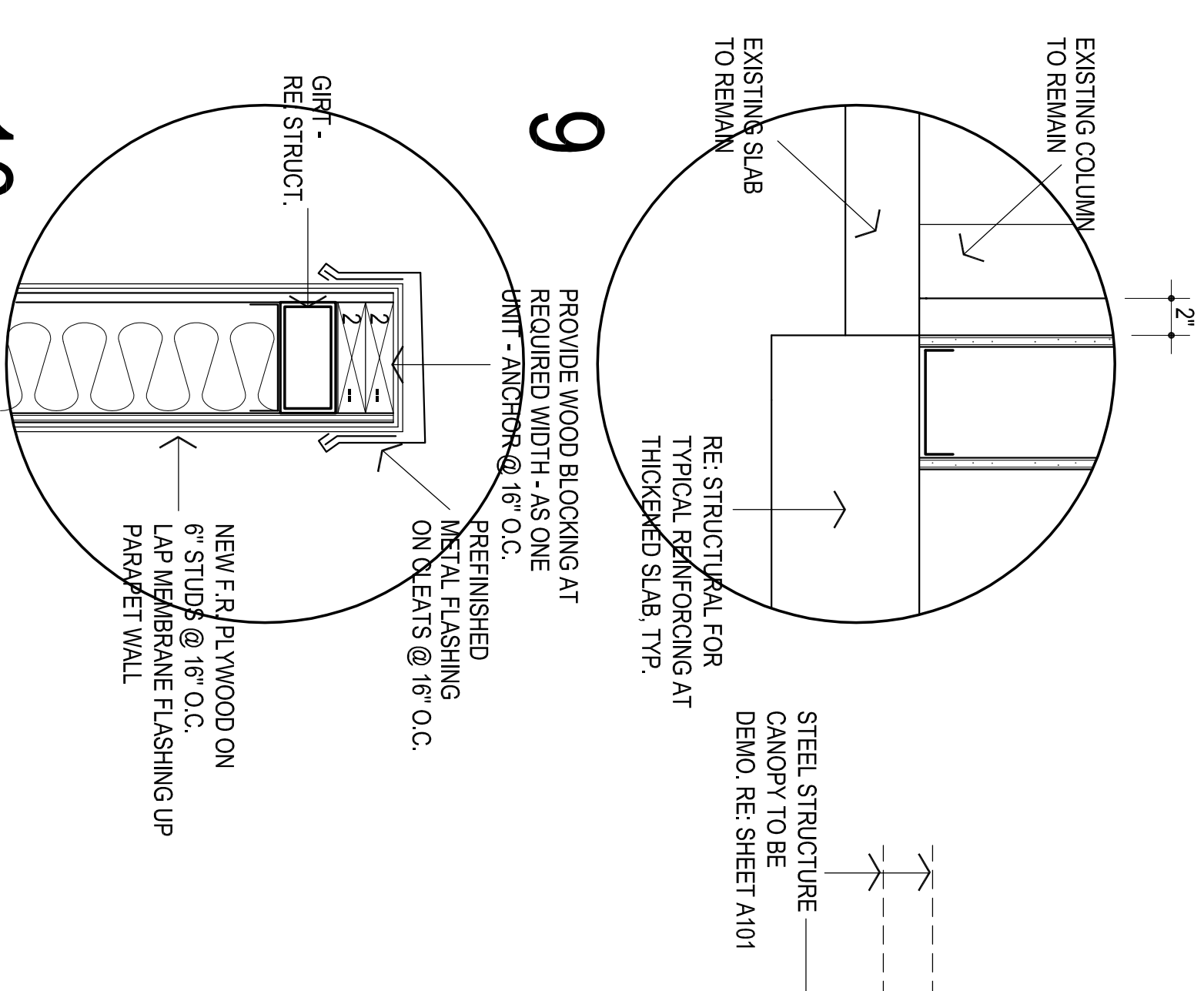
A301

OWNERSHIP USE OF DOCUMENTS:

AGP EXPRESSLY RESERVES ITS
COPYRIGHT AND OTHER PROPERTY
RIGHTS OF ALL PLANS AND DRAWINGS
DESIGNED AND/OR PRODUCED BY AGP.
REPRODUCTION IN ANY FORM OR MANNER
WITHOUT THE EXPRESSED WRITTEN
CONSENT OF AGP.



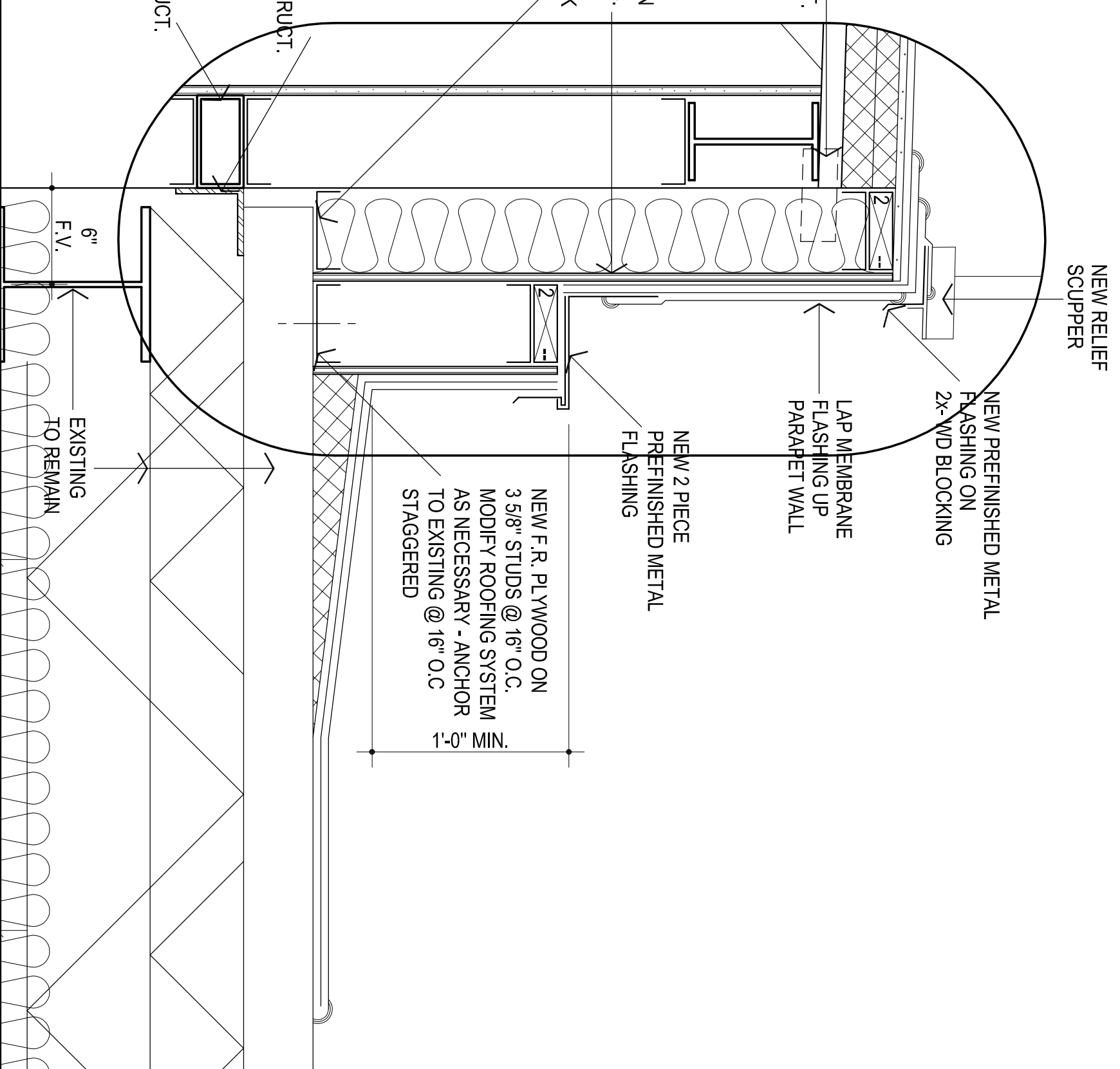
11 EXISTING OVERHANG SECTION
1/2" = 1'-0"



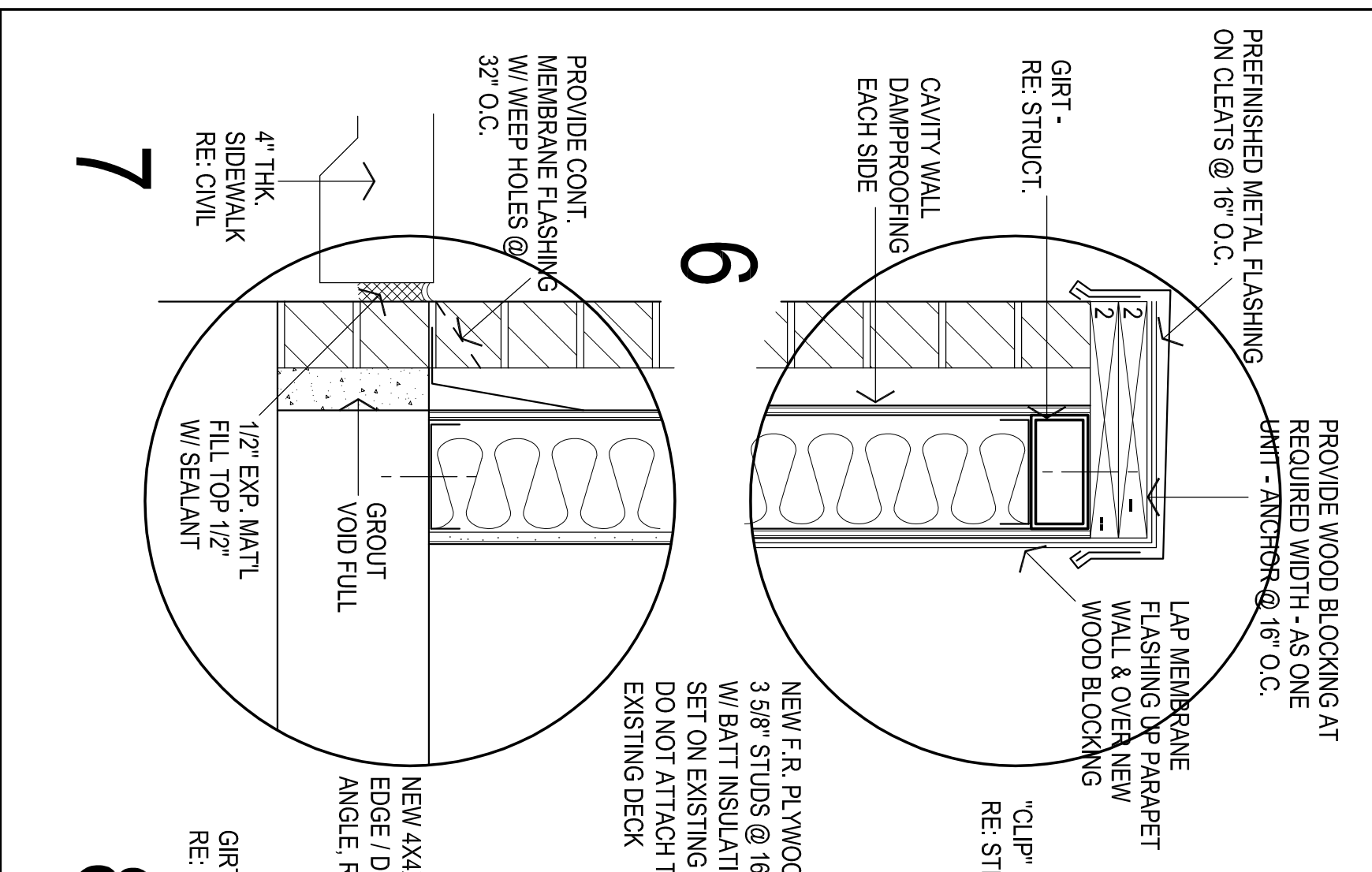
9



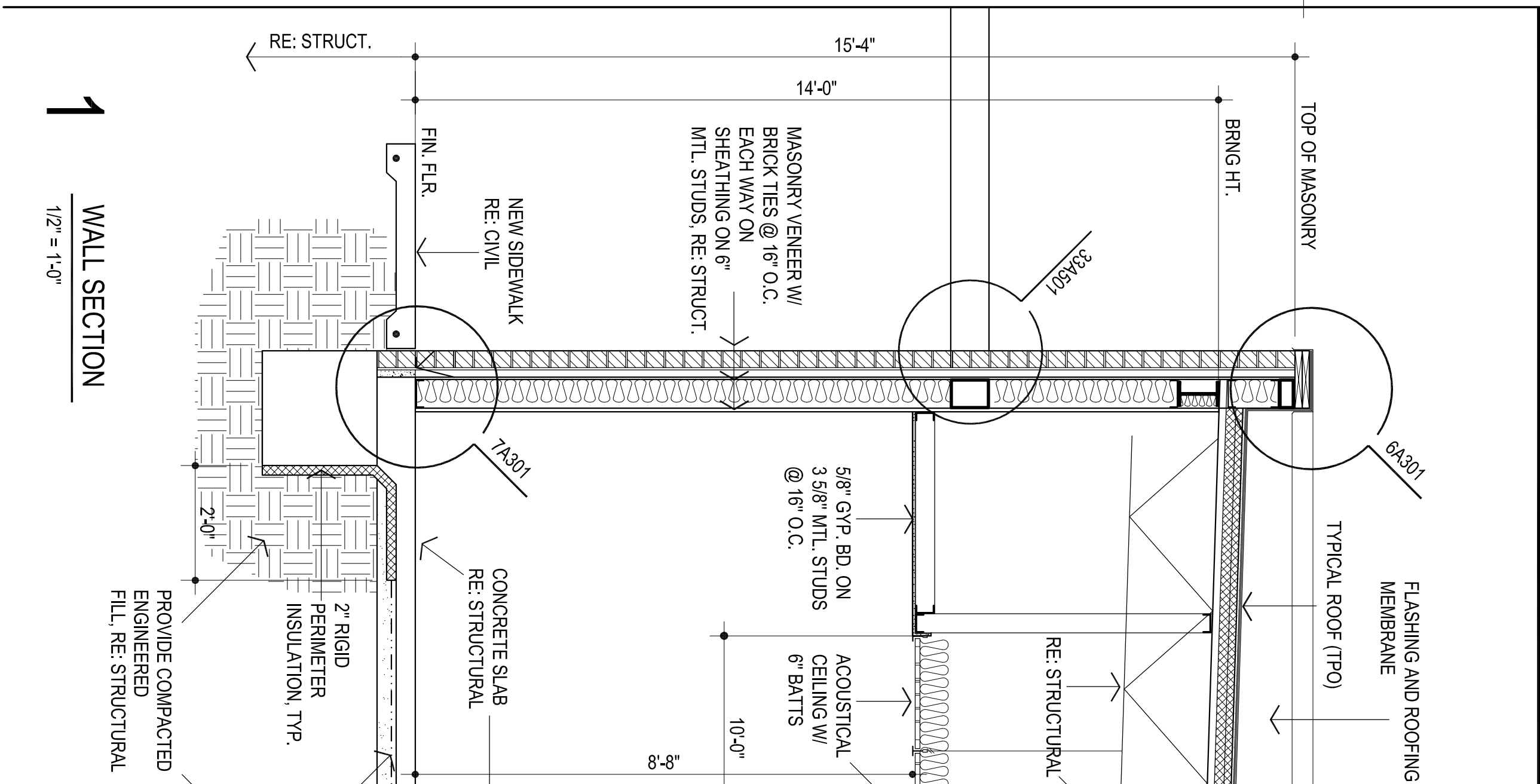
10



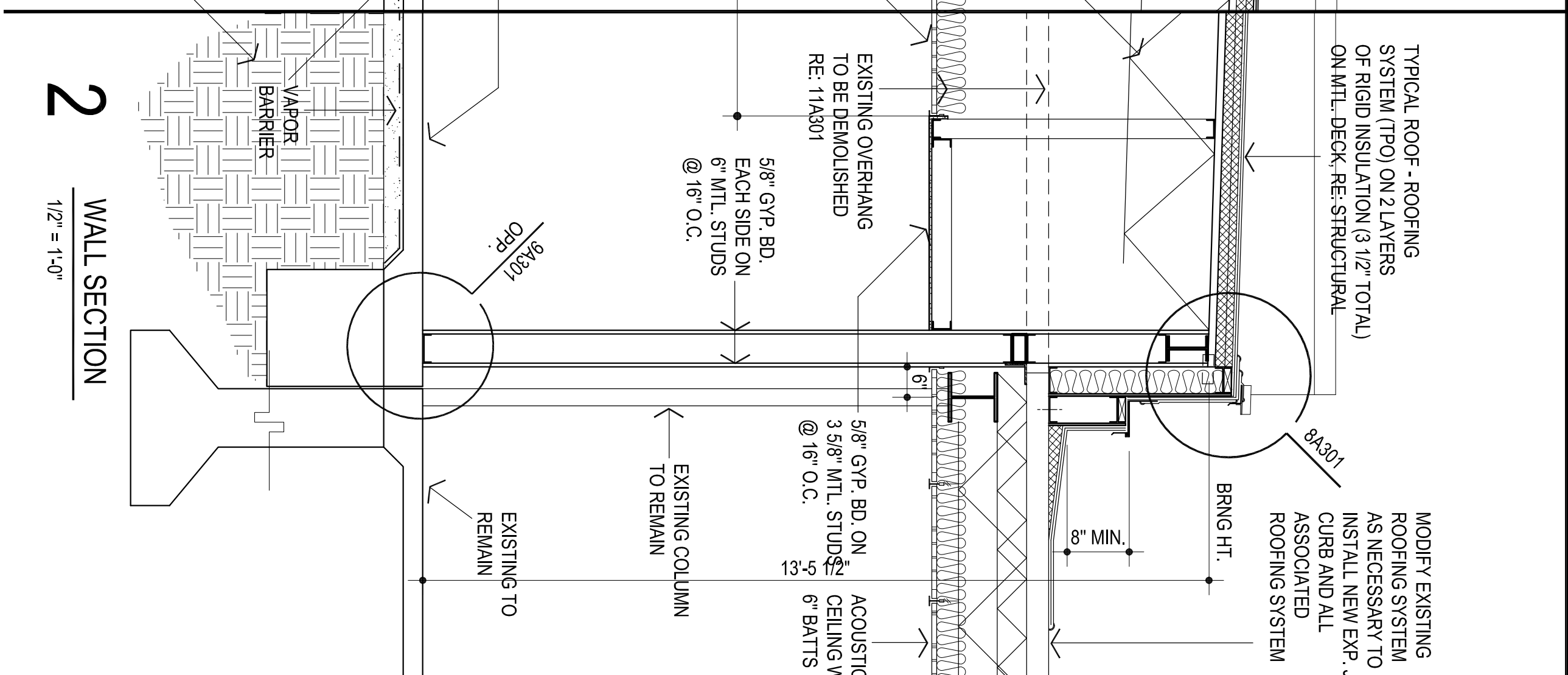
8



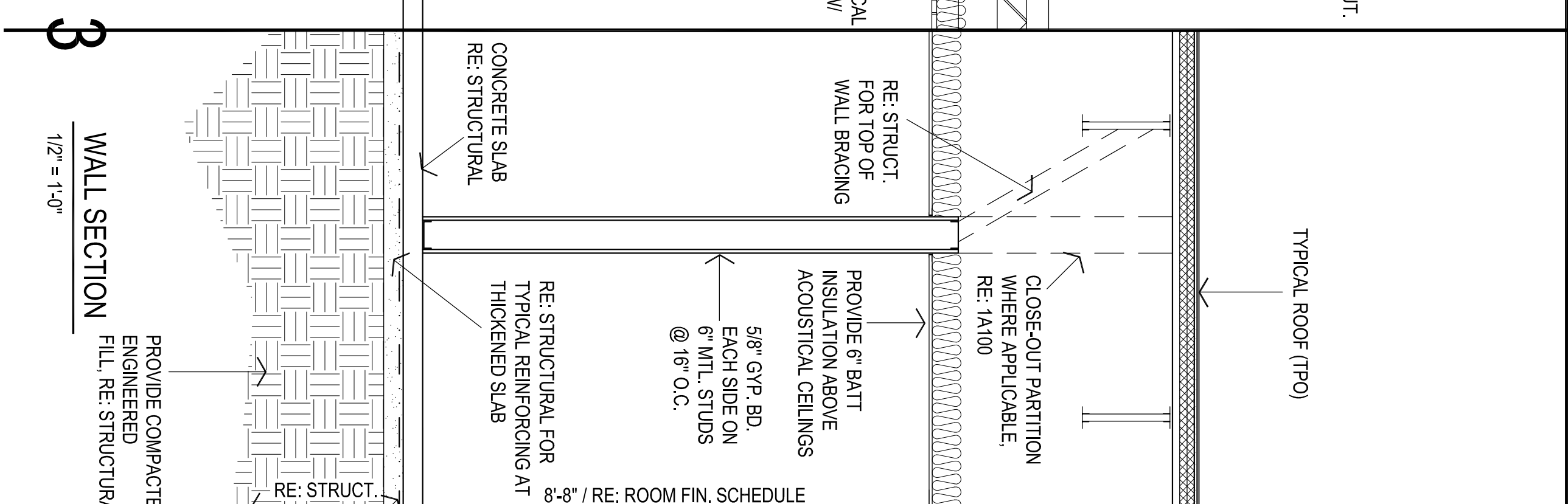
7



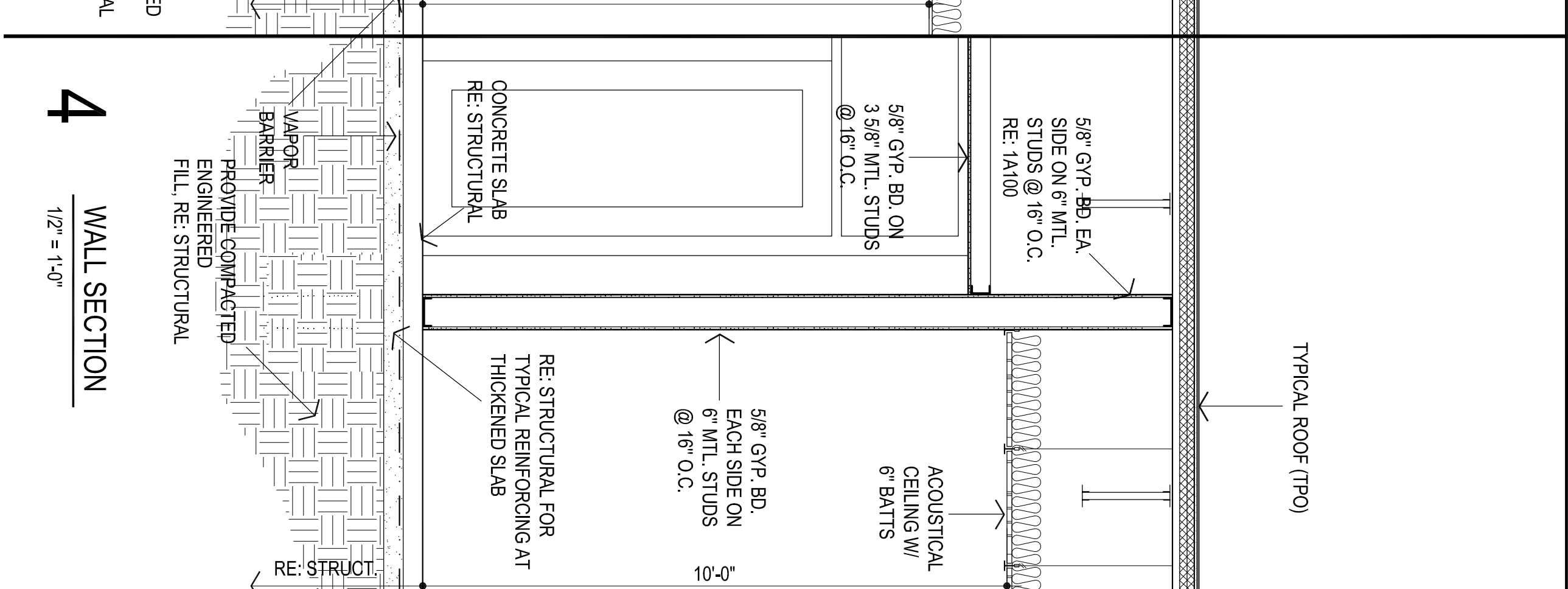
1



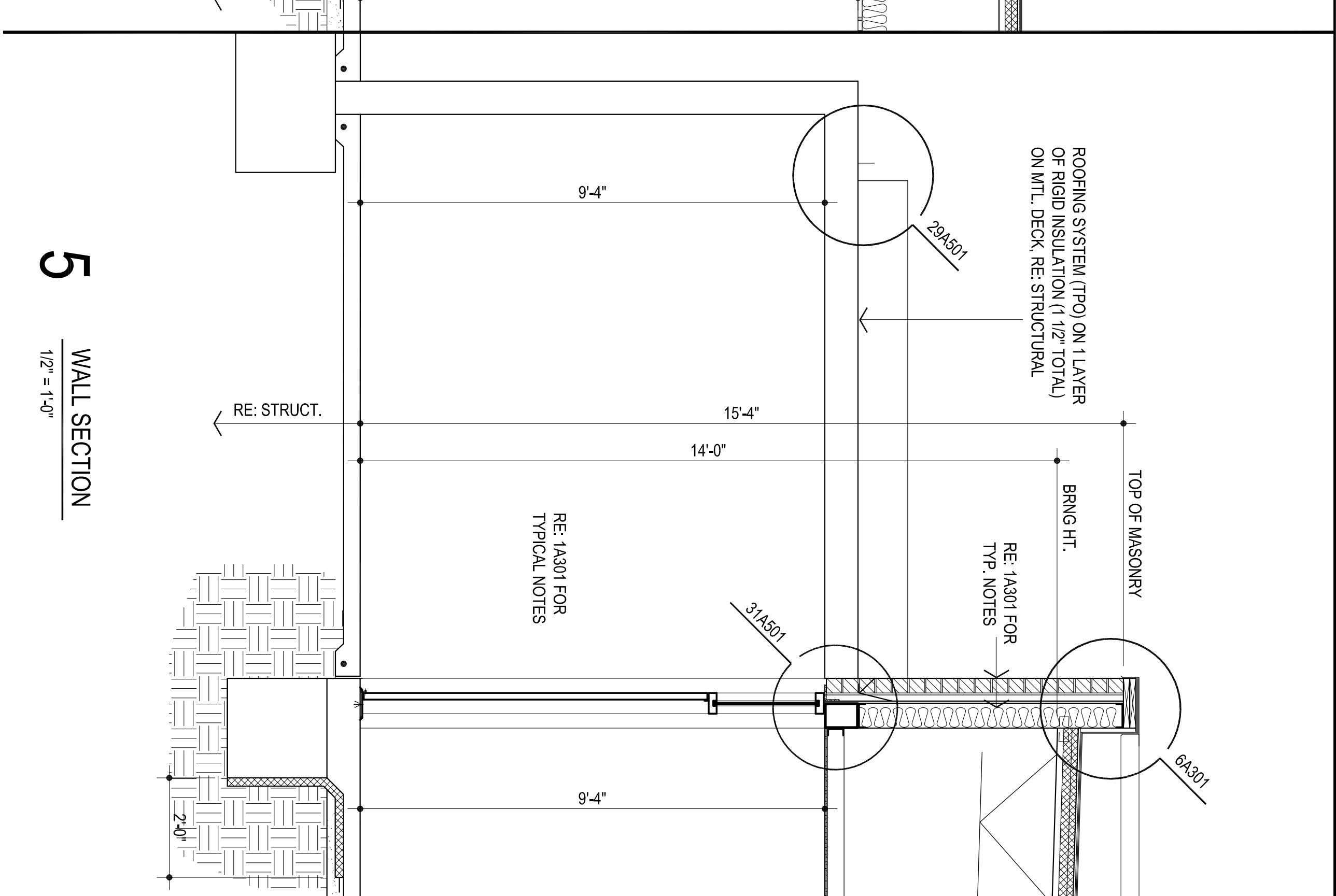
2



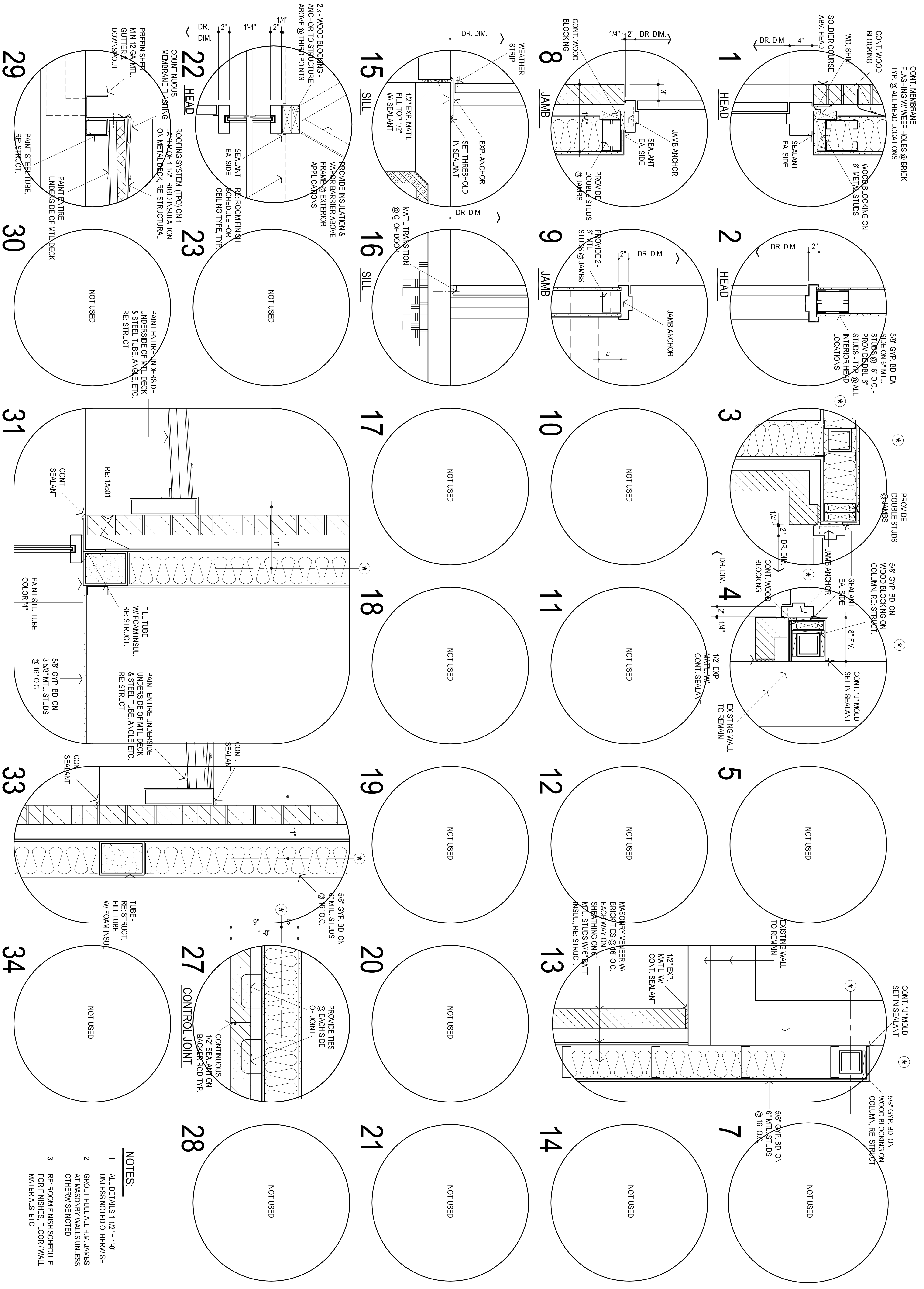
3



4



5



- NOTES:**
1. ALL DETAILS 1/2" = 1'-0" UNLESS NOTED OTHERWISE
 2. GROUT FULL ALL H.M. JAMBS AT MASONRY WALLS UNLESS OTHERWISE NOTED
 3. RE-ROOM FINISH SCHEDULE FOR FINISHES, FLOOR / WALL MATERIALS, ETC.

| DESCRIPTION | RM NO. | FLOOR | BASE | CEILING | CLG. HT. | REMARKS | RM NO. | WALLS | PAINT / COLOR SCHEDULE | | | | | | | | | | | | | | | | | | | | | | | | | | | | | | | | | | | | | | | | | | | | |
|-------------|--------|-------|------|---------|--------------------------|---------|--------|-------|---|--|--|--|--|------|-------|--|--|--|---------|---|---|---|---|---|-----|------|------|------|--------|---|--------|------|------|------|--------|---|--------|-----|-----|-----|--------------------------|---|--------|-----|-----|-----|-------------|---|--------|------|-----|-----|--------|
| | | | | | | | | | <table border="1"> <thead> <tr> <th rowspan="2">CLG.</th> <th colspan="4">WALLS</th> <th rowspan="2">REMARKS</th> </tr> <tr> <th>N</th> <th>E</th> <th>S</th> <th>W</th> </tr> </thead> <tbody> <tr> <td>1</td> <td>(1)</td> <td>(2a)</td> <td>(2a)</td> <td>(2a)</td> <td>(7/17)</td> </tr> <tr> <td>2</td> <td>(1/13)</td> <td>(2a)</td> <td>(2a)</td> <td>(2a)</td> <td>(7/17)</td> </tr> <tr> <td>3</td> <td>(1/13)</td> <td>(2)</td> <td>(2)</td> <td>(2)</td> <td>(6/7/8/9/10/11/16/20/28)</td> </tr> <tr> <td>4</td> <td>(1/13)</td> <td>(2)</td> <td>(2)</td> <td>(2)</td> <td>(6/7/15/18)</td> </tr> <tr> <td>5</td> <td>(1/13)</td> <td>(2a)</td> <td>(2)</td> <td>(2)</td> <td>(7/17)</td> </tr> </tbody> </table> | | | | | CLG. | WALLS | | | | REMARKS | N | E | S | W | 1 | (1) | (2a) | (2a) | (2a) | (7/17) | 2 | (1/13) | (2a) | (2a) | (2a) | (7/17) | 3 | (1/13) | (2) | (2) | (2) | (6/7/8/9/10/11/16/20/28) | 4 | (1/13) | (2) | (2) | (2) | (6/7/15/18) | 5 | (1/13) | (2a) | (2) | (2) | (7/17) |
| CLG. | WALLS | | | | REMARKS | | | | | | | | | | | | | | | | | | | | | | | | | | | | | | | | | | | | | | | | | | | | | | | | |
| | N | E | S | W | | | | | | | | | | | | | | | | | | | | | | | | | | | | | | | | | | | | | | | | | | | | | | | | | |
| 1 | (1) | (2a) | (2a) | (2a) | (7/17) | | | | | | | | | | | | | | | | | | | | | | | | | | | | | | | | | | | | | | | | | | | | | | | | |
| 2 | (1/13) | (2a) | (2a) | (2a) | (7/17) | | | | | | | | | | | | | | | | | | | | | | | | | | | | | | | | | | | | | | | | | | | | | | | | |
| 3 | (1/13) | (2) | (2) | (2) | (6/7/8/9/10/11/16/20/28) | | | | | | | | | | | | | | | | | | | | | | | | | | | | | | | | | | | | | | | | | | | | | | | | |
| 4 | (1/13) | (2) | (2) | (2) | (6/7/15/18) | | | | | | | | | | | | | | | | | | | | | | | | | | | | | | | | | | | | | | | | | | | | | | | | |
| 5 | (1/13) | (2a) | (2) | (2) | (7/17) | | | | | | | | | | | | | | | | | | | | | | | | | | | | | | | | | | | | | | | | | | | | | | | | |
| VESTIBULE | 1 | | | | 9'-4" | | | | | | | | | | | | | | | | | | | | | | | | | | | | | | | | | | | | | | | | | | | | | | | | |
| CORRIDOR | 2 | | | | 10'-0" | | | | | | | | | | | | | | | | | | | | | | | | | | | | | | | | | | | | | | | | | | | | | | | | |
| RECEPTION | 3 | | | | 10'-0" / 9'-4" / 8'-8" | | | | | | | | | | | | | | | | | | | | | | | | | | | | | | | | | | | | | | | | | | | | | | | | |
| OFFICE | 4 | | | | 8'-8" | | | | | | | | | | | | | | | | | | | | | | | | | | | | | | | | | | | | | | | | | | | | | | | | |
| CORRIDOR | 5 | | | | 10'-0" | | | | | | | | | | | | | | | | | | | | | | | | | | | | | | | | | | | | | | | | | | | | | | | | |

| DOOR NO. | LOCATION | DOOR ELEV. | DOOR MAT'L | DOOR SIZE | TH K | FRAME ELEV. | DOOR DETAILS | | | REMARKS | HWDR. SET NO. |
|----------|----------|------------|------------|-----------|--------|-------------|--------------|--------|-----------|-----------|---------------|
| FROM | TO | | | WIDTH | HEIGHT | | HEAD | SILL | JAMB | JAMB | |
| 1 | 5 EXT. | A | H.M. | PR. 3'-0" | 7'-0" | 1 3/4" | 14501 SIM | 154501 | 94501 SIM | 94501 SIM | 1 |
| 2 | 1 EXT. | B | ALUM. | PR. 3'-0" | 7'-0" | 1 3/4" | 14501 | 154501 | 94501 | 94501 | 2 |
| 3 | 2 1 | B | ALUM. | PR. 3'-0" | < | < | 14501 SIM | 164501 | 94501 SIM | 94501 SIM | 3 |
| 4 | 1 3 | B | WD | 3'-0" | < | < | 24501 | 164501 | 94501 | 94501 | 4 |
| 5 | 2 3 | B | WD | < | < | < | 24501 | 164501 | 94501 | 94501 | 4 |
| 6 | 3 3 | A | WD | < | < | < | 24501 | 164501 | 94501 | 94501 | 4 |
| 7 | 3 4 | A | WD | < | < | < | 24501 | 164501 | 94501 | 94501 | 5 |
| 8 | 4 5 | C | WD | 3'-0" | 7'-0" | 1 3/4" | 24501 | 164501 | 94501 | 94501 | 5 |

1 ROOM FINISH SCHEDULE

- SCHEDULE ORIENTED SAME AS PLAN
- INDICATES MATERIAL IN A GIVEN AREA
- MATERIAL ON ALL SURFACES
- MATERIAL ON EACH INDIVIDUAL SURFACE
- IF CIRCLE IS BLACKENED - SURFACE TO RECEIVE PAINTER'S FINISH
- IF CIRCLE IS BLANK - SURFACE OR MATERIAL IS PREFINISHED OR NOT PAINTED

- PAINT:
- 1 GYP BOARD CEILINGS: SHERWIN-WILLIAMS - SW7006 - EXTRA WHITE
 - 2 WALLS - FIELD: SHERWIN-WILLIAMS - SW7008 - ALABASTER
 - 2a WALLS - ACCENT: SHERWIN-WILLIAMS - TO BE SELECTED BY ARCHITECT.
 - 2b WALLS - ACCENT: SHERWIN-WILLIAMS - TO BE SELECTED BY ARCHITECT.
 - 3 H.M. DOORS & FRAMES: SHERWIN-WILLIAMS - SW6992 - INKWELL
 - 4 MISCELLANEOUS METALS / PAINTED EXTERIOR CANOPIES: SHERWIN-WILLIAMS - SW6992 - INKWELL
 - 5 WOOD DOORS & MILLWORK: ARCHITECTURAL WOOD DOORS - CLEAR CLUT
- PREFINISHED COLORS:
- 6 CARPET TILES: INTERPACE AE315 / 109816 GRANITE / AZURE
 - 7 RUBBER WALL BASE: ROPPE - BLACK
 - 8 SOLID SURFACE (COUNTERTOPS): CORIAN - DEEP CAVIAR
 - 8a SOLID SURFACE (COUNTERTOPS): CORIAN - EVENING PRIMA / JUNIPER
 - 9 PLASTIC LAMINATE (FACING AND EDGING): WILSONART - D315 - PLATINUM
 - 10 VINYL T* EDGING: - TO BE SELECTED FROM MFRS STANDARD COLORS
 - 11 MELAMINE: TO BE SELECTED FROM MFRS STANDARD COLORS
 - 12 NUMBER NOT USED
 - 13 2 X 2 ACOUSTICAL LAY - IN TILES - REGULAR EDGE: REFER SPECIFICATIONS
 - 14 INTERIOR SIGNAGE: MOHAWK SIGN SYSTEMS - TO BE SELECTED BY ARCHITECT
 - 15 MARKERBOARD: BEST-RITE - WHITE
 - 16 TACKBOARD: BEST-RITE CHALKBOARD CO. - BR315 - ANTIQUE WHITE
 - 17 VINYL FLOOR TILE - KARNDIEN - COLOR "A" MONTANA LT203 / COLOR "B" INDIANA LT202

- EXTERIOR COLORS:
- 18 PREFINISHED METAL COPING: - TO BE VERIFIED WITH ARCHITECT PRIOR TO CONSTRUCTION - MATCH EXISTING
 - 19 MASONRY BRICK VENEER: AOME BRICK: - TO BE VERIFIED WITH ARCHITECT PRIOR TO CONSTRUCTION - MATCH EXISTING

2 COLOR SCHEDULE

ACGP
the Abia Griffin Partnership L.L.C.
201 N. BROADWAY
SUITE 210
MOORE, OK. 73160
405.735.3477
ACGP@theACGP.net
www.theACGP.net

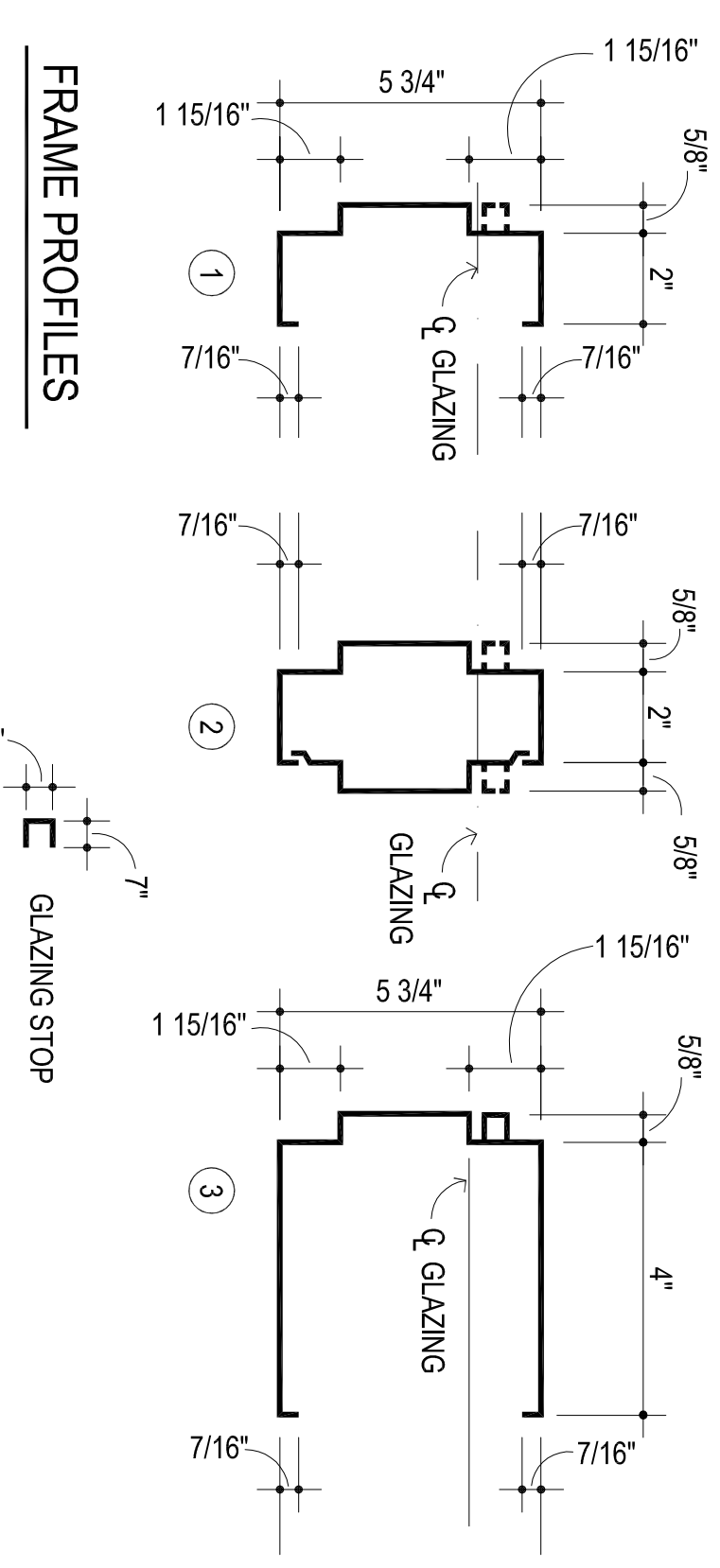
KFC ENGINEERING
STRUCTURAL
SALUS O'BRIEN
MECHANICAL ELECTRICAL

3/12/23

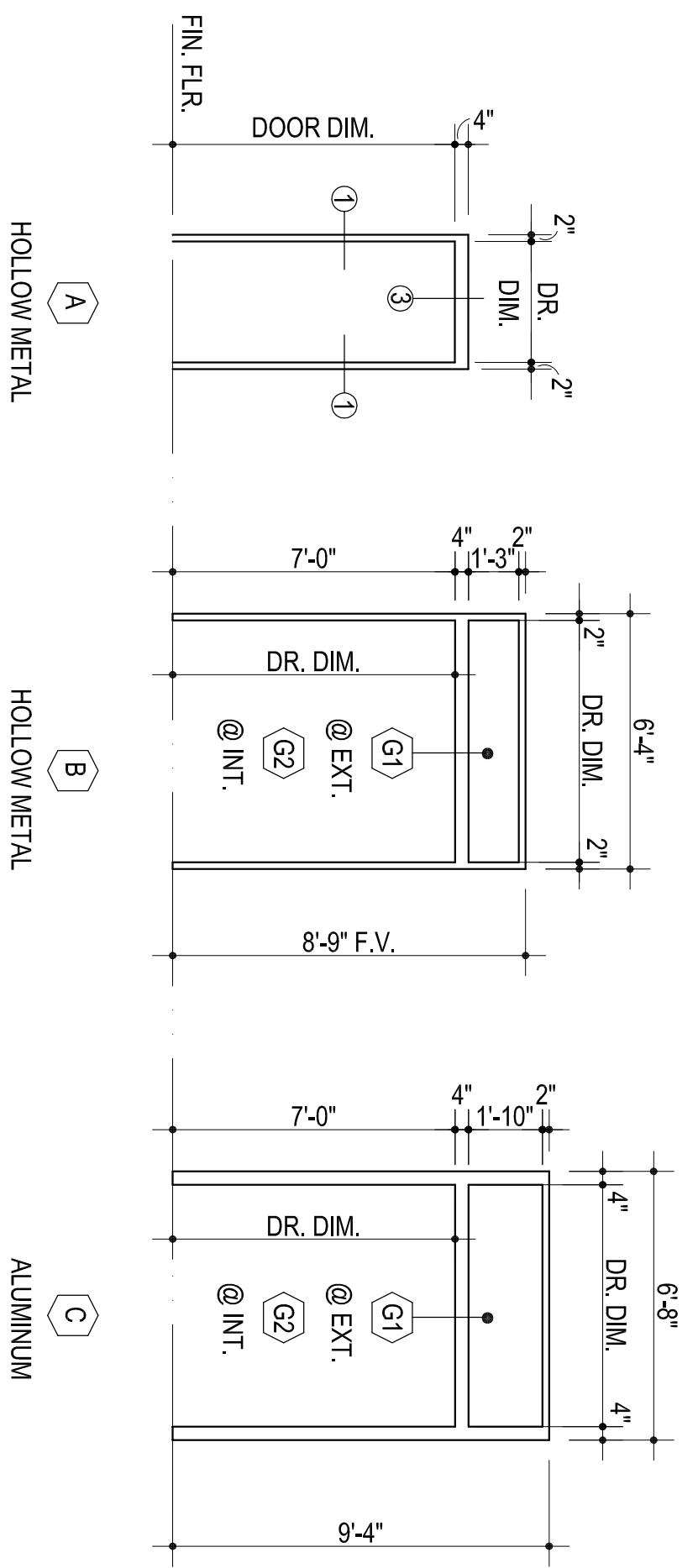
4 GLAZING SCHEDULE

- G1 7/8" NOM. TEMPERED INSULATING GLASS
- G2 1/4" CLEAR TEMPERED GLASS
- G3 1/4" IMPACT RESISTANT GLASS

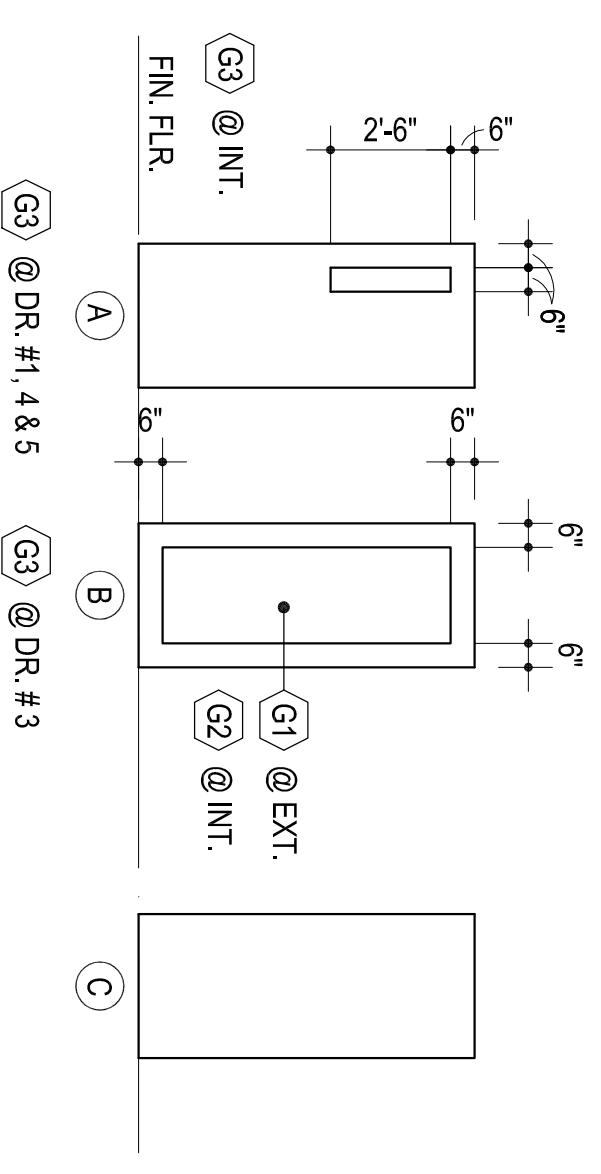
5 FRAME PROFILES



6 FRAME ELEVATIONS



7 DOOR ELEVATIONS



CG
designed by MA
checked by MARCO 2/23
date 08/18
revisions

MOORE PUBLIC SCHOOLS
BOARD OF EDUCATION
MOORE, OKLAHOMA

MOORE Public Schools
LEARNING FOR LIFE

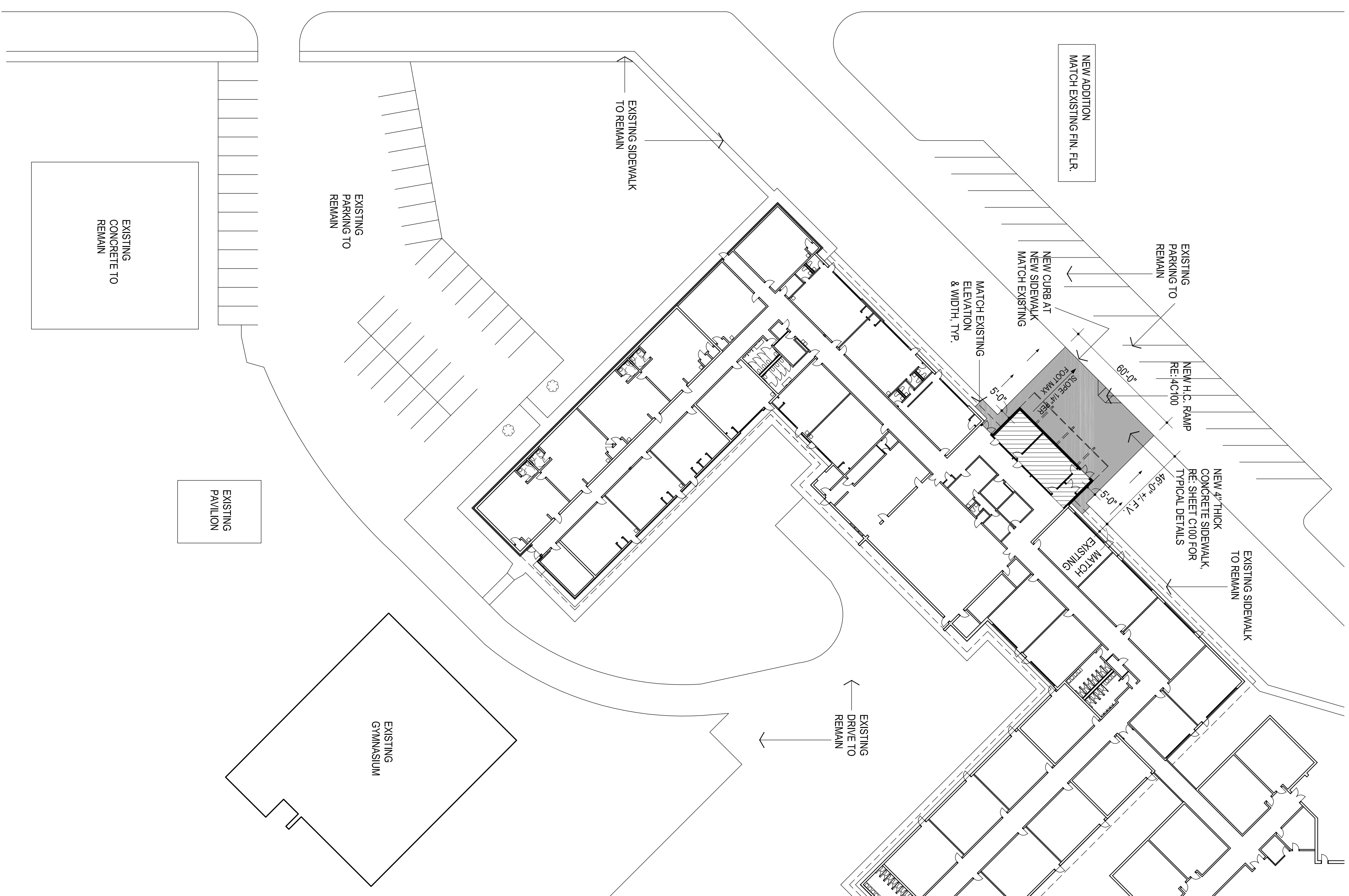
OFFICE
ADDITION -
SOUTHGATE
ELEMENTARY SCHOOL

Sheet No. **A601**

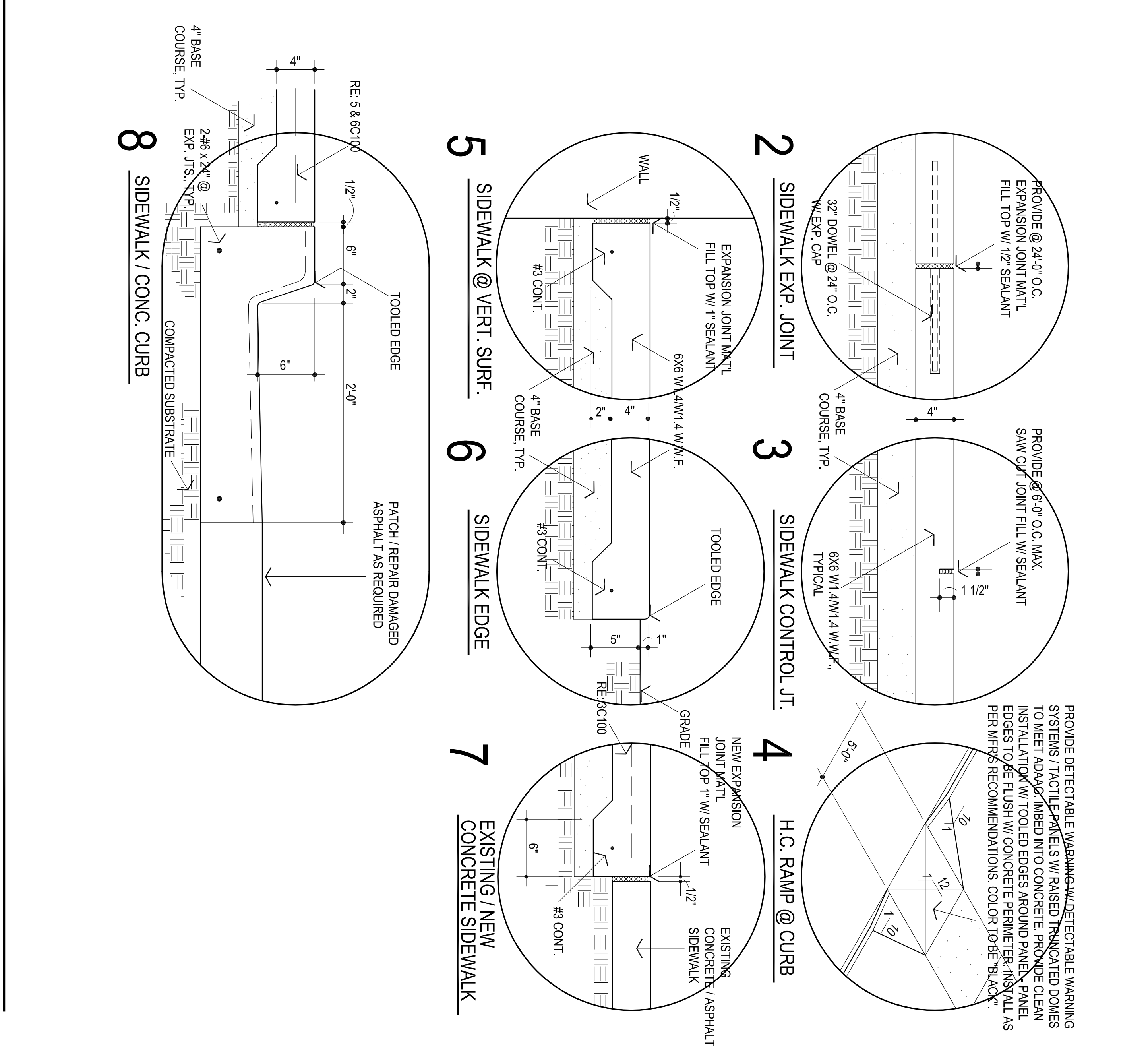
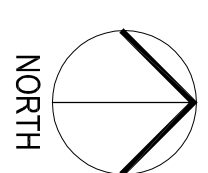
OWNERSHIP USE OF DOCUMENTS:
AGP EXPRESSLY RESERVES ITS COPYRIGHT AND OTHER PROPERTY RIGHTS OF ALL PLANS AND DRAWINGS DESIGNED AND/OR PRODUCED HEREIN. THIS DOCUMENT IS TO BE REPRODUCED IN ANY FORM OR MANNER WITHOUT THE EXPRESSED WRITTEN CONSENT OF AGP.

TO 5TH STREET

NORTH NORMAN AVE.



SITE PLAN
1" = 30'-0"



GENERAL NOTES:

1. LOCATIONS OF EXISTING BUILDINGS, SITE FEATURES, & UNDERGROUND UTILITIES HAVE BEEN OBTAINED FROM EXISTING AVAILABLE SOURCES. THE CONTRACTOR IS TO FIELD VERIFY EXISTING LOCATIONS PRIOR TO STARTING CONSTRUCTION AND NOTIFY THE ARCHITECT IMMEDIATELY IF ANY EXISTING BUILDING OR SITE FEATURE CONFLICTS WITH THE NEW CONSTRUCTION.
2. ALL SOIL DISTURBED DURING CONSTRUCTION SHALL BE GRADED BY CONTRACTOR FOR INSTALLATION OF NEW SOD COORDINATE WITH ARCHITECT.
3. NO SURVEY OR EXISTING GRADING INFORMATION IS AVAILABLE. WATER FLOW - SET FINAL GRADING ELEVATIONS AS REQUIRED TO INSURE POSITIVE SLOPE & DRAINAGE AWAY FROM BUILDING. COORDINATE WITH ARCHITECT.
4. CONSTRUCTION SHALL MEET ALL APPLICABLE CODES, ORDINANCES, REGULATIONS & STANDARDS REQUIRED BY THE CITY OF MOORE, OKLAHOMA.
5. CONSTRUCTION SHALL MEET ALL APPLICABLE REQUIREMENTS OF THE AMERICANS WITH DISABILITIES ACT INCLUDING ANY SUPPLEMENTAL REQUIREMENTS BY THE CITY OF MOORE, OKLAHOMA.
6. CONTRACTOR IS RESPONSIBLE FOR REPAIR OF ANY DAMAGE DONE TO EXISTING PAVING / ASPHALT TO REMAIN

AGP
the Abla Griffin
Partnership L.L.C.

201 N. BROADWAY
SUITE 210
MOORE, OK. 73160
405.735.3477
AGP@theAGP.net
www.theAGP.net

KFC ENGINEERING
STRUCTURAL
SALVA O'BRIEN
MECHANICAL ELECTRICAL

STATE OF OKLAHOMA
MICHAEL L. ABLA
2639
3/28/23

CG
drawn by
MA
checked by
MARCO 2023
0818
revisions

MOORE PUBLIC SCHOOLS
BOARD OF EDUCATION
MOORE, OKLAHOMA

MOORE Public Schools
LEARNING FOR LIFE

OFFICE
ADDITION -
SOUTHGATE
ELEMENTARY SCHOOL

Sheet No.
C100

OWNERSHIP USE OF DOCUMENTS:
AGP EXPRESSLY RESERVES ITS
COPYRIGHT AND OTHER PROPERTY
RIGHTS OF ALL PLANS AND DRAWINGS
DESIGNED AND/OR PRODUCED BY AGP.
REPRODUCTION IN ANY FORM OR MANNER
WITHOUT THE EXPRESSED WRITTEN
CONSENT OF AGP.

| LIGHT FIXTURE SCHEDULE | | | | |
|------------------------|--------|--|---------------------|--|
| TYPE | SYMBOL | DESCRIPTION | MANUFACTURER | REFERENCE CATALOG # |
| A | | 2X4 LED RECESSED TROFFER. 37W, 4677 LUMENS, 3500K CCT. 0-10V DIMMING. | LITHONIA | CPX 2X4 AL08 SWW7 |
| AE | | 2X4 LED RECESSED TROFFER. 37W, 4677 LUMENS, 3500K CCT. 0-10V DIMMING. 90 MINUTE BATTERY BACKUP. | LITHONIA | CPX 2X4 AL08 SWW7 E10WCP |
| C | | 6" RECESSED LED DOWNLIGHT. 13W, 1378 LUMENS, 3500K CCT. IC RATED, 0-10V DIMMING. | LITHONIA | LBR6 NCH AL02 SWW1 AR LSS WD MVOLT UGZ |
| CE | | 6" RECESSED LED DOWNLIGHT. 13W, 1378 LUMENS, 3500K CCT. IC RATED, 0-10V DIMMING. 90 MINUTE BATTERY BACKUP. | LITHONIA | LBR6 NCH AL02 SWW1 AR LSS WD MVOLT UGZ E10WCPR |
| EX | | LED EXIT SIGN, BRUSHED ALUMINUM FACE WITH RED LETTERS, UNIVERSAL FACE AND MOUNTING. PROVIDE 90 MINUTE BATTERY BACKUP. | LIFESAFETY LIGHTING | LSXDC 3 R B A EM SDT |
| LE | | 4' EXTERIOR LINEAR LED FIXTURE. 56W, 4500 LUMENS, 4000K CCT. 90 MIN BATTERY BACKUP, MULLION MOUNTED. | A-LIGHT | ACLSWT M4 DLS 40 U HE M5 B 1 D E1 Q |
| W | | EXTERIOR LED WALL PACK. 47W, 5896 LUMENS, 4000K CCT. WET LOCATION. | LITHONIA | WPX2 LED 40K MVOLT DBLXD |

GENERAL NOTES:
EQUIVALENT ALTERNATE LIGHT FIXTURES MAY BE PROVIDED FOR BIDDING PURPOSES. THE ENGINEER DOES NOT TAKE RESPONSIBILITY FOR ENSURING ALTERNATE LIGHT FIXTURES USED FOR BIDDING ARE EQUAL; THE CONTRACTOR SHALL BE RESPONSIBLE FOR ENSURING ALTERNATE FIXTURES ARE EQUIVALENT TO THOSE SPECIFIED PRIOR TO BID. THE WINNING BID PACKAGE SHALL BE SUBMITTED TO THE ENGINEER FOR REVIEW IN ACCORDANCE WITH THE SPECIFICATIONS.

| ELECTRICAL ABBREVIATIONS | | |
|--------------------------|-----------------------------|-------------------------------|
| AC | ABOVE COUNTERTOP | MC MECHANICAL CONTRACTOR |
| AFB | ABOVE FINISH FLOOR | MCA MINIMUM CIRCUIT AMPS |
| AFG | ABOVE FINISH GRADE | MDP MAIN DISTRIBUTION PANEL |
| ANNC | ANNUNCIATOR | MTD MOUNTED |
| CC | CONTROLS CONTRACTOR | NIC NOT IN CONTRACT |
| DF | DRINKING FOUNTAIN | OCC OCCUPANCY |
| EC | ELECTRICAL CONTRACTOR | PC PLUMBING CONTRACTOR |
| EF | EXHAUST FAN | PNL PANEL |
| EX | EXISTING | SPST SINGLE POLE SINGLE THROW |
| EXR | EXISTING RELOCATED | TTB TELEPHONE TERMINAL BOARD |
| GC | GENERAL CONTRACTOR | TYP TYPICAL |
| GFI | GROUND FAULT INTERRUPT | WG WIRE GUARD |
| HP | HORSEPOWER | WP WEATHER PROOF |
| IBC | INTERNATIONAL BUILDING CODE | 20A 20 AMP |
| IG | ISOLATED GROUND | Ø PHASE |
| LV | LOW VOLTAGE | 3W 3 WIRE |
| LVRP | LV RELAY PANEL | 1P20A SINGLE POLE 20 AMP |

| SWITCH LEGEND | |
|-------------------|--------------------------------------|
| SYMBOL | DESCRIPTION |
| \$ | 20A, 120/277V SPST SWITCH |
| \$ ₂ | 20A, 120/277V LETTER INDICATES GROUP |
| \$ ₃ | 20A, 120/277V 3-WAY |
| \$ ₄ | 20A, 120/277V 4-WAY |
| \$ _D | DIMMER SWITCH |
| \$ _K | KEY OPERATED SWITCH |
| \$ _{OCC} | OCCUPANCY SENSOR SWITCH |

GENERAL NOTE:
SEE SPECIFICATIONS FOR MANUFACTURERS

| OCC SENSOR SCHEDULE | |
|---------------------|---|
| SYMBOL | DESCRIPTION |
| CS | MULTI-TECHNOLOGY, CEILING MOUNTED OCCUPANCY SENSOR CAPABLE OF DISABLING AUTO ADAPTING FEATURE. PROVIDE WITH RELAY/POWER PACKS AS REQUIRED PER PLAN. (LOW VOLTAGE) |

GENERAL NOTES:

- E.C. SHALL CONTACT ARCHITECT FOR COLOR SELECTION PRIOR TO ORDER OF ANY SENSOR.
- FOR CEILING SPACES 14 FT. A.F.F. PIR TYPE CEILING MOUNTED SENSORS SHALL BE USED.
- WALL MOUNTED DEVICES TO MATCH MANUAL LIGHTING CONTROL.

| RECEPTACLE SCHEDULE | |
|---------------------|---|
| SYMBOL | DESCRIPTION |
| | DUPLEX RECEPTACLE |
| | 20A, 120V, 2P, 3W GROUNDING DUPLEX GFCI RECEPTACLE - WEATHER PROOF (IN USE COVER) |
| | FLOOR BOX |
| | QUADPLEX RECEPTACLE |

GENERAL NOTE:
SEE SPECIFICATIONS FOR MANUFACTURERS

| GENERAL ELECTRICAL NOTES | |
|--------------------------|---|
| 1. | CONTRACTOR TO VERIFY EXISTING ELECTRICAL CONDITIONS AND NOTIFY ARCHITECT/ENGINEER OF ANY ELECTRICAL OR CODE ISSUES PRIOR TO BID. CONTRACTOR IS RESPONSIBLE FOR PROVIDING A COMPLETE AND OPERATIONAL CODE COMPLIANT SYSTEM. |
| 2. | ALL WORK SHALL BE IN CONFORMANCE WITH NATIONAL, STATE, AND LOCAL CODES AND/OR ORDINANCES. |
| 3. | ELECTRICAL CONTRACTOR SHALL COORDINATE WORK WITH ALL OTHER CONTRACTORS & LOCAL UTILITY. E.C. SHALL CONTACT LOCAL UTILITY FOR EXACT SERVICE REQUIREMENTS TO INCLUDE BUT NOT LIMITED TO TRANSFORMER, METERING AND CABLING. LOCAL UTILITY REQUIREMENTS SUPERSEDE DRAWINGS AND SPECIFICATIONS. |
| 4. | SEE ARCHITECTURAL AND MECHANICAL DRAWINGS FOR ADDITIONAL REQUIREMENTS. |
| 5. | ELECTRICAL DRAWINGS ARE DIAGRAMMATIC ONLY. THEY ARE INTENDED TO GIVE APPROXIMATE LOCATIONS AND OVERALL DESIGN INTENT. THE ELECTRICAL CONTRACTOR SHALL BE RESPONSIBLE FOR PRODUCTS, MATERIALS AND ELECTRICAL METHODS WHICH HAVE NOT BEEN SHOWN OR INDICATED BUT ARE REQUIRED FOR A COMPLETE SYSTEM TO THE STANDARDS OF THE INDUSTRY. |
| 6. | INSTALL LIGHTING FIXTURES IN ACCORDANCE WITH MANUFACTURER'S RECOMMENDATIONS. PROVIDE SUPPORTING DEVICES FOR ADEQUATE SUPPORT OF FIXTURES FROM STRUCTURE. |
| 7. | UPON COMPLETION OF THE ELECTRICAL WORK, THE INSTALLATION SHALL BE TESTED FOR CONTINUITY, GROUNDS, AND SHORT CIRCUITS. THE ELECTRICAL CONTRACTOR SHALL DEMONSTRATE PROPER PERFORMANCE OF ALL SYSTEMS. ALL DEFECTIVE WORK OR MATERIALS SHALL BE REPLACED OR REPAIRED AS NECESSARY AND RETESTED. |
| 8. | ELECTRICAL RACEWAYS THAT PENETRATE FIRE RATED ASSEMBLIES SHALL BE SLEEVED AND SEALED AS PER THE LOCAL BUILDING CODE. |

| ELECTRICAL LEGEND | |
|-------------------|------------------------------------|
| | PANEL BOARD |
| | DISTRIBUTION PANEL BOARD |
| | TRANSFORMER |
| | UTILITY METER |
| | SEPARATE CIRCUIT BREAKER |
| | DISCONNECT |
| | FUSED DISCONNECT SWITCH |
| | EMERGENCY FUSED DISCONNECT SWITCH |
| | MOTOR STARTER/CONTRACTOR |
| | COMBINATION MOTOR STARTER |
| | PUSH BUTTON STATION AS NOTED |
| | PULL BOX, SIZE AS REQUIRED BY CODE |
| | ELECTRICAL CONNECTION |
| | MOTOR CONNECTION |
| | HOME RUN TO PANEL BOARD |

| ELECTRICAL SHEET INDEX | |
|------------------------|---|
| E000 | ELECTRICAL TITLE SHEET |
| E001 | ELECTRICAL SITE PLAN |
| E101 | ELECTRICAL LIGHTING PLAN |
| E201 | ELECTRICAL POWER PLAN |
| E202 | ELECTRICAL POWER PLAN - ROOF |
| E401 | ELECTRICAL ONE-LINE DIAGRAM AND SCHEDULES |
| E501 | ELECTRICAL DETAILS SHEET |

AGP
the Abla Griffin
Partnership L.L.C.

201 N. BROADWAY
SUITE 210
MOORE, OK. 73160
405.735.3477
AGP@theAGP.net
www.theAGP.net

KFC ENGINEERING
STRUCTURAL

SALAS O'BRIEN
MECHANICAL / ELECTRICAL



DW
drawn by
TVO
checked by
APRIL 2023
date
revisions

MOORE PUBLIC SCHOOLS
BOARD OF EDUCATION
MOORE, OKLAHOMA



OFFICE
ADDITION -
SOUTHGATE
ELEMENTARY SCHOOL

sheet no:

E000

Salas O'Brien
2600 Van Buren St., Suite 2635
Norman, OK 73072
Salas O'Brien Registration: CA# 7058
Expiration Date: 6/30/2023
Salas O'Brien Project Number: 2023-01140-00

OWNERSHIP USE OF DOCUMENTS:
AGP EXPRESSLY RESERVES ITS
COPYRIGHT AND OTHER PROPERTY
RIGHTS OF ALL PLANS AND DRAWINGS
DESIGNED AND/OR PRODUCED. PLANS
AND DRAWINGS ARE NOT TO BE
REPRODUCED IN ANY FORM OR MANNER
WITHOUT THE EXPRESSED WRITTEN
CONSENT OF AGP.



DW
drawn by
TVO
checked by
APRIL 2023
date
revisions

MOORE PUBLIC SCHOOLS
BOARD OF EDUCATION
MOORE, OKLAHOMA



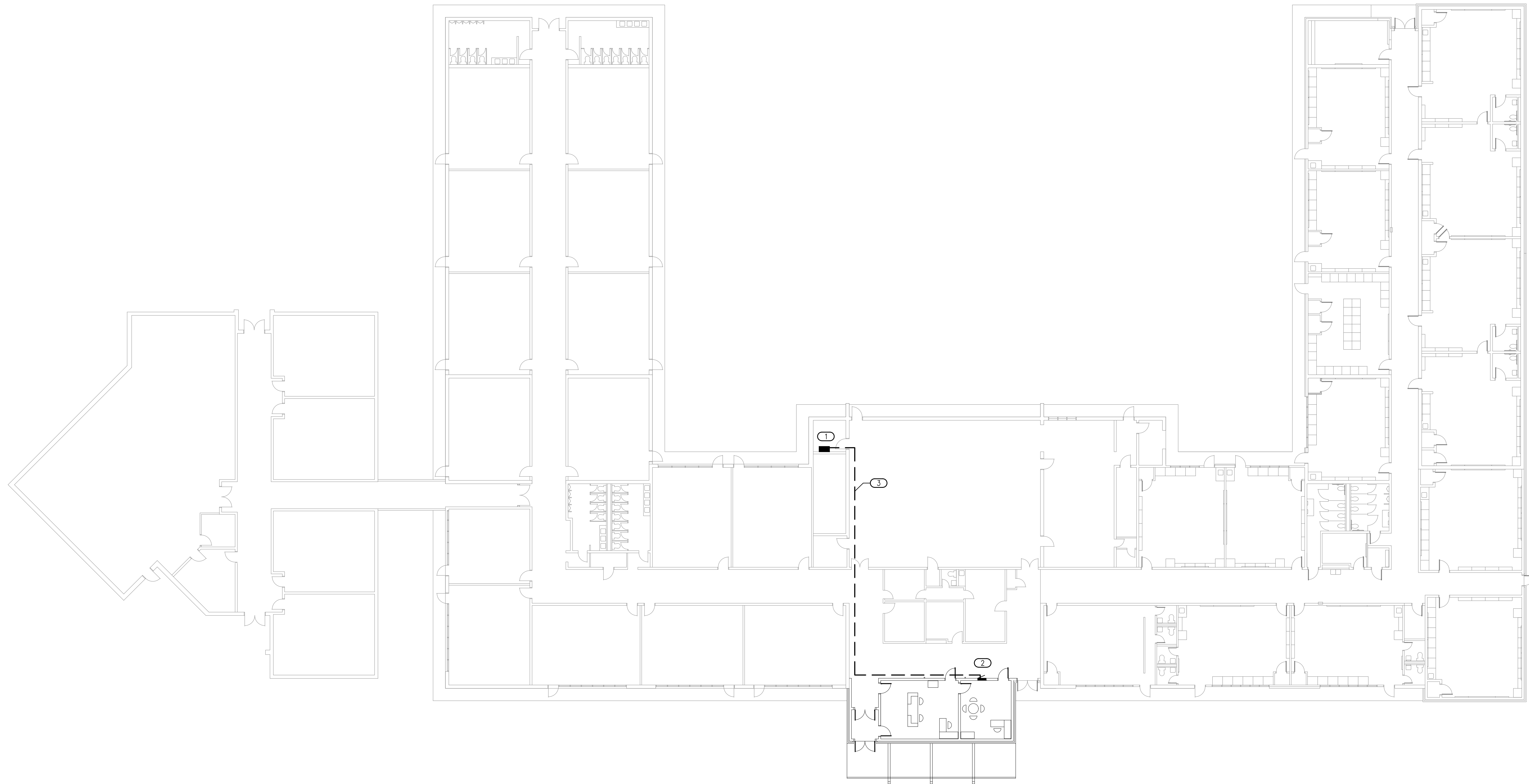
OFFICE
ADDITION -
SOUTHGATE
ELEMENTARY SCHOOL

sheet no:

E001

| KEYED NOTES | |
|-------------|---|
| 1 | APPROXIMATE LOCATION OF EXISTING PANEL 'MDP'. PROVIDE NEW 100A/2 POLE BREAKER TO SERVE NEW PANEL 'P'. REFER TO SHEET E401 FOR ADDITIONAL INFORMATION REGARDING NEW CONNECTIONS. |
| 2 | APPROXIMATE LOCATION OF NEW PANEL 'P'. REFER TO SHEET E401 FOR ADDITIONAL INFORMATION REGARDING NEW CONNECTIONS. |
| 3 | PROPOSED CONDUIT FEED FOR NEW SUBPANEL 'P' FROM EXISTING 'MDP'. COORDINATE EXACT CONDUIT ROUTE WITH ARCHITECT, CIVIL, AND OTHER TRADES PRIOR TO ROUGH-IN. REFER TO SHEET E401 FOR WIRE AND CONDUIT SIZE AND FOR ADDITIONAL INFORMATION REGARDING NEW CONNECTIONS. |

| GENERAL NOTES | |
|---------------|---|
| 1. | EC SHALL FIELD VERIFY EXISTING CONDITIONS PRIOR TO ALL WORK. |
| 2. | CONDUIT ROUTE SHOWN IS ONLY TO CONVEY DESIGN INTENT. EC SHALL DETERMINE FINAL ROUTING OF NEW CONDUIT AFTER FIELD VERIFYING EXISTING CONDITIONS. |
| 3. | EC SHALL REFER TO ARCHITECTURAL DEMO PLAN FOR SCOPE OF DEMO WORK PRIOR TO BEGINNING WORK. |



1 ELECTRICAL SITE PLAN
SCALE: 1/16" = 1'-0"



Salas O'Brien
2600 Van Buren St., Suite 2635
Norman, OK 73072
Salas O'Brien Registration: CA# 7058
Expiration Date: 6/30/2023
Salas O'Brien Project Number: 2023-01140-00

OWNERSHIP USE OF DOCUMENTS:
AGP EXPRESSLY RESERVES ITS
COPYRIGHT AND OTHER PROPERTY
RIGHTS OF ALL PLANS AND DRAWINGS
DESIGNED AND/OR PRODUCED. PLANS
AND DRAWINGS ARE NOT TO BE
REPRODUCED IN ANY FORM OR MANNER
WITHOUT THE EXPRESSED WRITTEN
CONSENT OF AGP.

GENERAL NOTES

- OCCUPANCY SENSOR LOCATIONS ARE FOR DESIGN INTENT ONLY. LOCATE OCCUPANCY SENSORS PER MANUFACTURER'S WRITTEN INSTALLATION INSTRUCTIONS.
- COORDINATE EXACT LOCATIONS AND MOUNTING HEIGHTS OF LIGHT FIXTURES WITH HVAC EQUIPMENT AND OTHER DEVICES/EQUIPMENT.
- COORDINATE LIGHT SWITCHES WITH THERMOSTATS AND OTHER WALL MOUNTED DEVICES.
- COORDINATE EXTERIOR FIXTURE MOUNTING HEIGHT WITH ARCHITECT AND OWNER PRIOR TO ROUGH IN.
- NEW EXTERIOR LIGHTING SHALL BE CONTROLLED BY NEAREST EXISTING EXTERIOR LIGHTING SYSTEM VIA RELAY/CONTACTOR.

KEYED NOTES

- EXISTING FIXTURES SHALL BE REMOVED AND REPLACED AS SHOWN. EXISTING CIRCUITS AND CONTROLS SHALL REMAIN.
- NEW LIGHT FIXTURE SHALL BE POWERED AND CONTROLLED FROM EXISTING CORRIDOR LIGHTING. EC SHALL PROVIDE ALL WIRING, CONDUITS, AND DEVICES NECESSARY FOR NEW LIGHT FIXTURE CONNECTIONS.

AGP

the Abla Griffin Partnership L.L.C.

201 N. BROADWAY
SUITE 210
MOORE, OK. 73160
405.735.3477
AGP@theAGP.net
www.theAGP.net

KFC ENGINEERING
STRUCTURAL

SALAS O'BRIEN
MECHANICAL / ELECTRICAL



DW
drawn by
TVO
checked by
APRIL 2023
date
revisions

MOORE PUBLIC SCHOOLS
BOARD OF EDUCATION
MOORE, OKLAHOMA



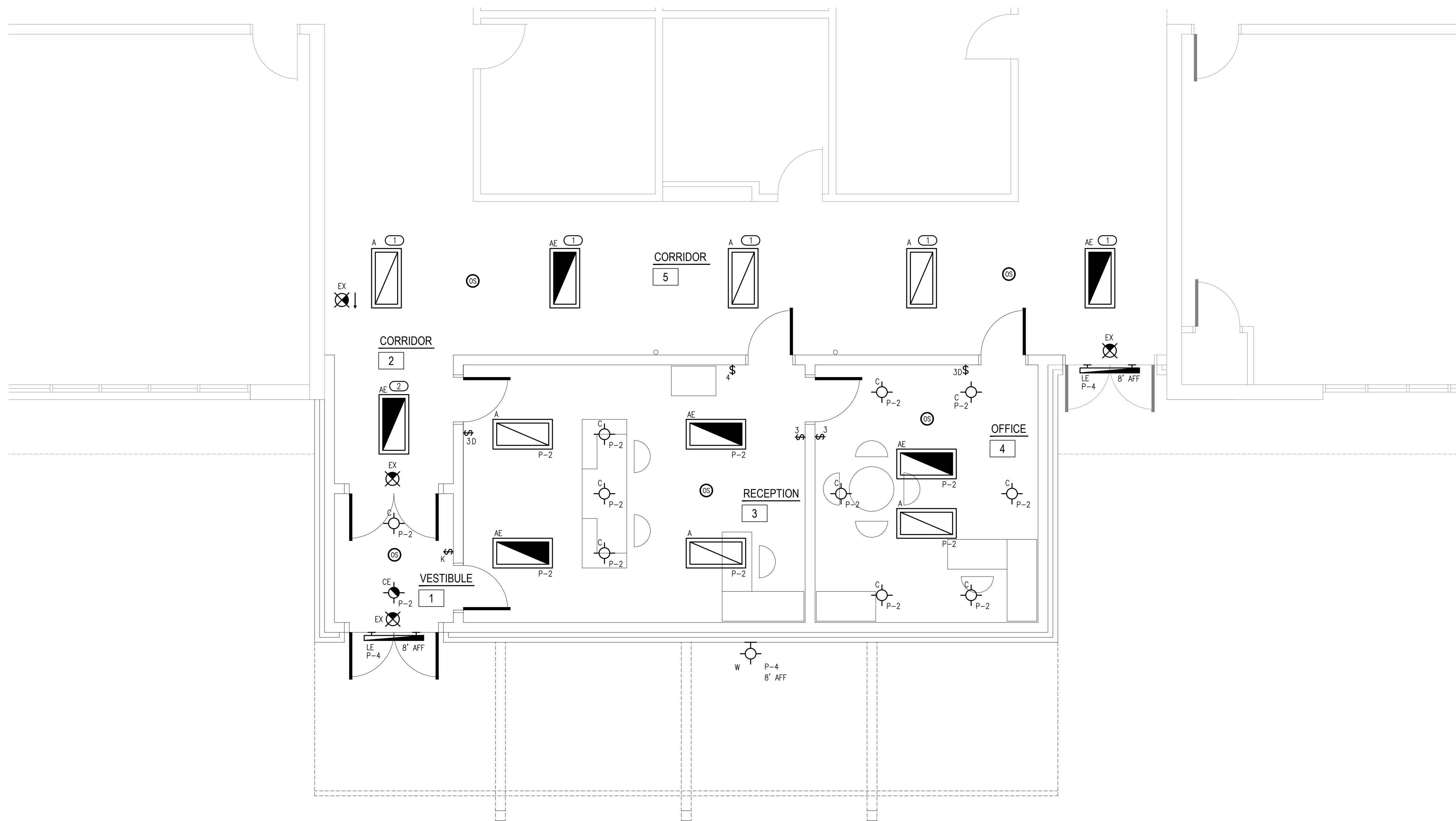
OFFICE
ADDITION -
SOUTHGATE
ELEMENTARY SCHOOL

sheet no:

E101

Salas O'Brien
2600 Van Buren St., Suite 2635
Norman, OK 73072
Salas O'Brien Registration: CA# 7058
Expiration Date: 6/30/2023
Salas O'Brien Project Number: 2023-01140-00

OWNERSHIP USE OF DOCUMENTS:
AGP EXPRESSLY RESERVES ITS COPYRIGHT AND OTHER PROPERTY RIGHTS OF ALL PLANS AND DRAWINGS DESIGNED AND/OR PRODUCED. PLANS AND DRAWINGS ARE NOT TO BE REPRODUCED IN ANY FORM OR MANNER WITHOUT THE EXPRESSED WRITTEN CONSENT OF AGP.



1 ELECTRIC LIGHTING PLAN
SCALE: 1/4" = 1'-0"



GENERAL NOTES

1. COORDINATE EXACT LOCATIONS OF DEVICES SHOWN WITH OTHER EQUIPMENT. COORDINATE EXACT LOCATIONS OF CEILING MOUNTED DEVICES WITH LIGHTS, HVAC EQUIPMENT, AND OTHER DEVICES.
2. COORDINATE WITH MC AND PROVIDE ALL RELAYS, CONNECTIONS, AND ALL DEVICES NECESSARY TO INTERLOCK EXHAUST FANS, DAMPERS, ETC WITH PROPER CONTROL DEVICES.
3. COORDINATE EXACT LOCATIONS OF MECHANICAL EQUIPMENT WITH MECHANICAL CONTRACTOR.

KEYED NOTES

- 1 PROVIDE 120V DEDICATED CONNECTION FOR COPIER/PRINTER. COORDINATE FINAL LOCATION AND REQUIREMENTS WITH ARCHITECT/OWNER PRIOR TO ROUGH-IN.
- 2 APPROXIMATE LOCATION OF NEW PANEL P. PANEL SHALL BE RECESSED INTO WALL AND PROVIDED WITH LOCKABLE COVER. COORDINATE FINAL LOCATION AND REQUIREMENTS WITH ARCHITECT/OWNER PRIOR TO ROUGH-IN.

AGP
the Abla Griffin
Partnership L.L.C.

201 N. BROADWAY
SUITE 210
MOORE, OK. 73160
405.735.3477
AGP@theAGP.net
www.theAGP.net

KFC ENGINEERING
STRUCTURAL

SALAS O'BRIEN
MECHANICAL / ELECTRICAL



DW
drawn by
TVO
checked by
APRIL 2023
date
revisions

MOORE PUBLIC SCHOOLS
BOARD OF EDUCATION
MOORE, OKLAHOMA



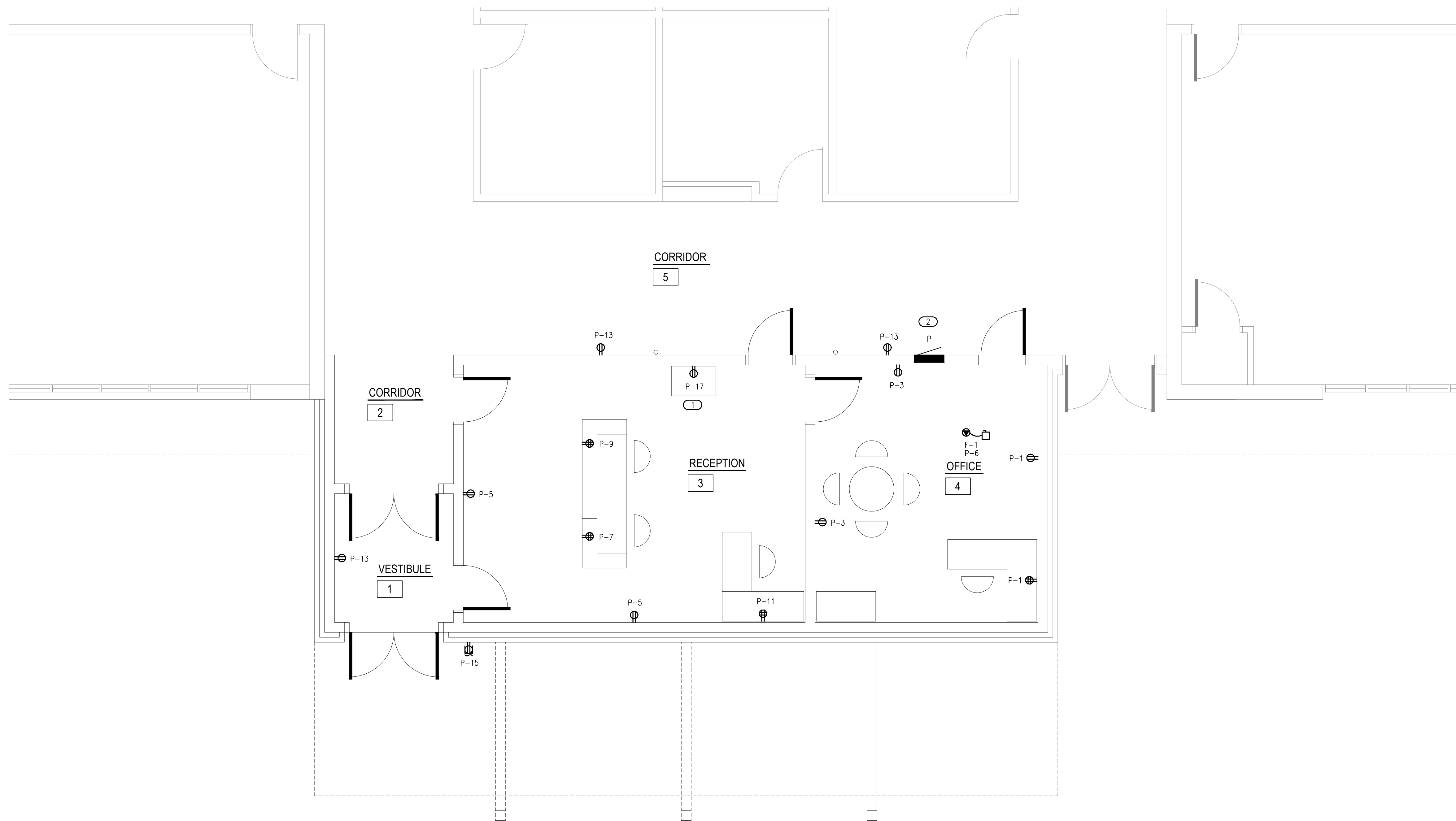
OFFICE
ADDITION -
SOUTHGATE
ELEMENTARY SCHOOL

sheet no:

E201

Salas O'Brien
2600 Van Buren St., Suite 2635
Norman, OK 73072
Salas O'Brien Registration: CA# 7058
Expiration Date: 6/30/2023
Salas O'Brien Project Number: 2023-01140-00

OWNERSHIP USE OF DOCUMENTS:
AGP EXPRESSLY RESERVES ITS
COPYRIGHT AND OTHER PROPERTY
RIGHTS OF ALL PLANS AND DRAWINGS
DESIGNED AND/OR PRODUCED. PLANS
AND DRAWINGS ARE NOT TO BE
REPRODUCED IN ANY FORM OR MANNER
WITHOUT THE EXPRESSED WRITTEN
CONSENT OF AGP.



1 ELECTRIC POWER PLAN
SCALE: 1/4" = 1'-0"



| GENERAL NOTES | |
|---------------|---|
| 1. | COORDINATE EXACT LOCATIONS OF DEVICES SHOWN WITH OTHER EQUIPMENT. |
| 2. | COORDINATE WITH MECHANICAL CONTRACTOR AND PROVIDE ALL RELAYS, CONNECTIONS, AND ALL DEVICES NECESSARY TO INTERLOCK EXHAUST FANS, DAMPERS, ETC WITH PROPER DEVICES. |
| 3. | COORDINATE EXACT LOCATIONS OF MECHANICAL EQUIPMENT WITH MECHANICAL CONTRACTOR. |
| 4. | FIRMLY MOUNT WEATHERPROOF 120V CONVENIENCE OUTLET ON UNISTRUT/KINDORF. COORDINATE WITH OTHER TRADES PRIOR TO ROUGH-IN. |

KFC ENGINEERING
STRUCTURAL

SALAS O'BRIEN
MECHANICAL / ELECTRICAL



DW

drawn by

TVO

checked by

APRIL 2023

date

revisions

MOORE PUBLIC SCHOOLS
BOARD OF EDUCATION
MOORE, OKLAHOMA



OFFICE
ADDITION -
SOUTHGATE
ELEMENTARY SCHOOL

sheet no:

E202

Salas O'Brien

2600 Van Buren St., Suite 2635
Norman, OK 73072
Salas O'Brien Registration: CA# 7058
Expiration Date: 6/30/2023
Salas O'Brien Project Number: 2023-01140-00

OWNERSHIP USE OF DOCUMENTS:
AGP EXPRESSLY RESERVES ITS COPYRIGHT AND OTHER PROPERTY RIGHTS OF ALL PLANS AND DRAWINGS DESIGNED AND/OR PRODUCED. PLANS AND DRAWINGS ARE NOT TO BE REPRODUCED IN ANY FORM OR MANNER WITHOUT THE EXPRESSED WRITTEN CONSENT OF AGP.



1 ELECTRIC ROOF PLAN - POWER

SCALE: 1/4" = 1'-0"





DW
drawn by
TVO
checked by
APRIL 2023
date
revisions

MOORE PUBLIC SCHOOLS
BOARD OF EDUCATION
MOORE, OKLAHOMA



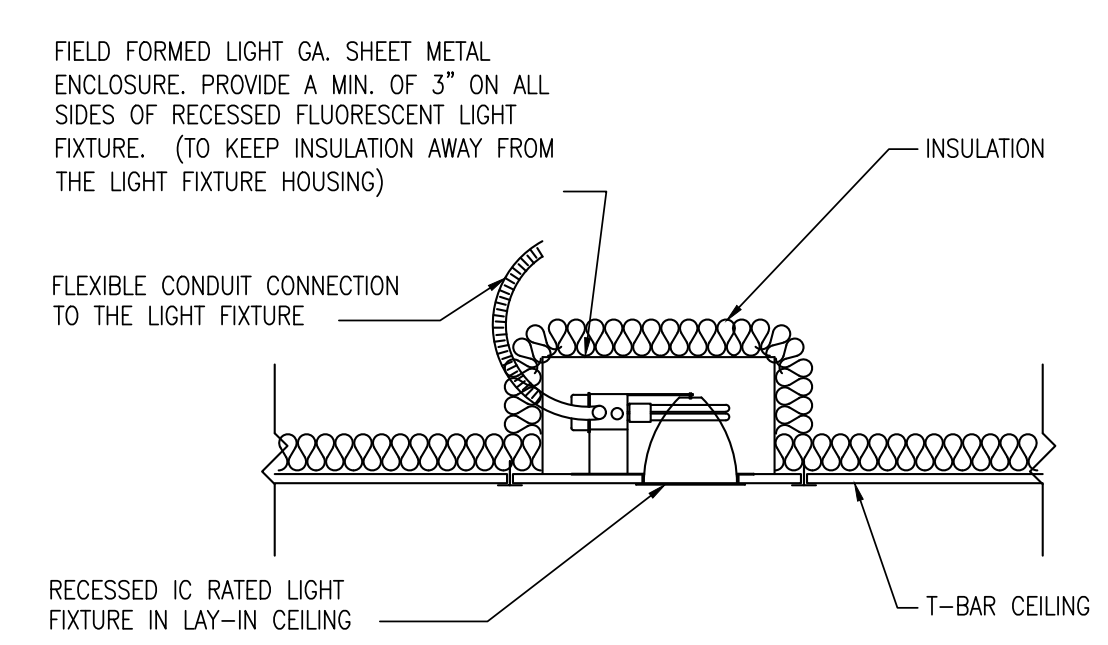
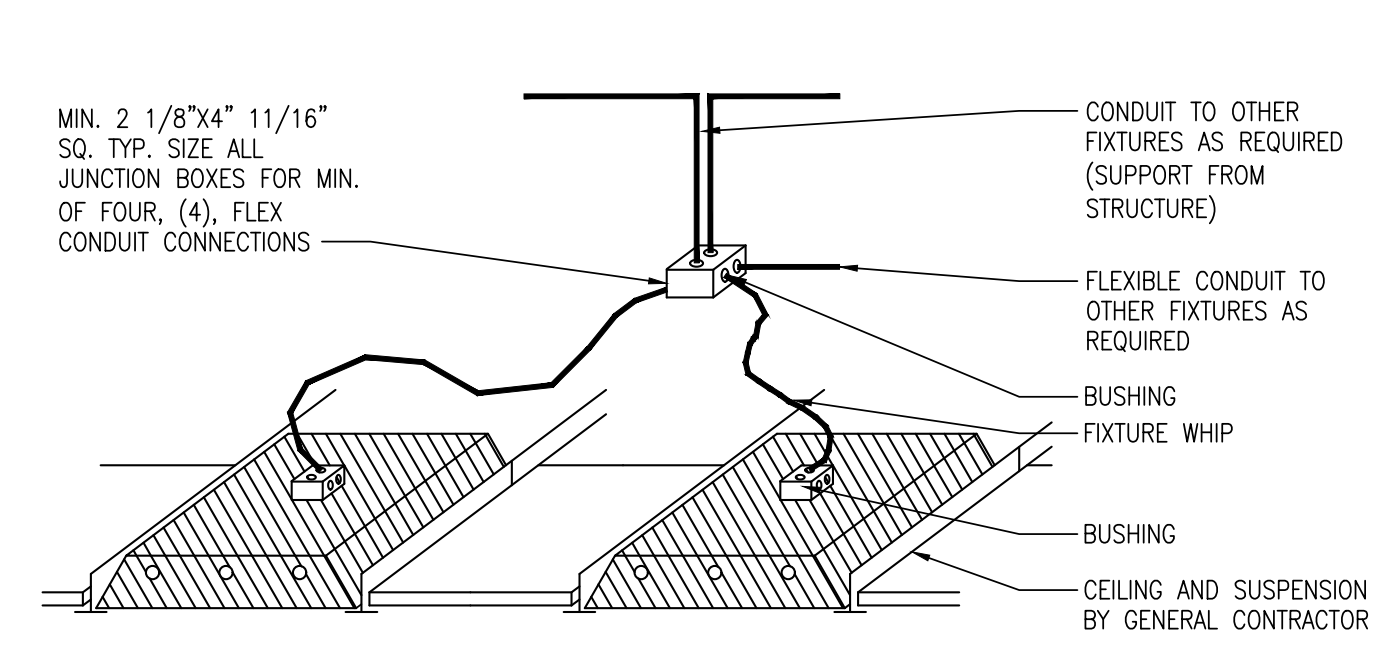
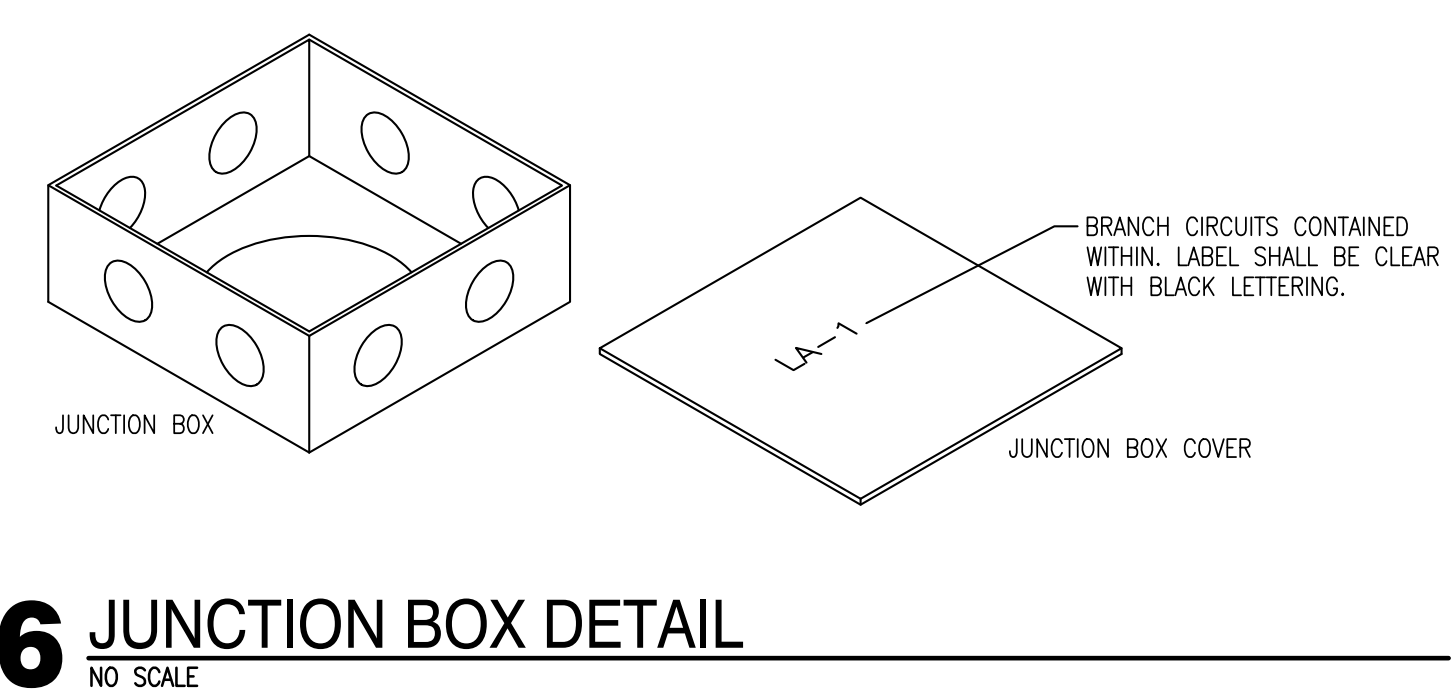
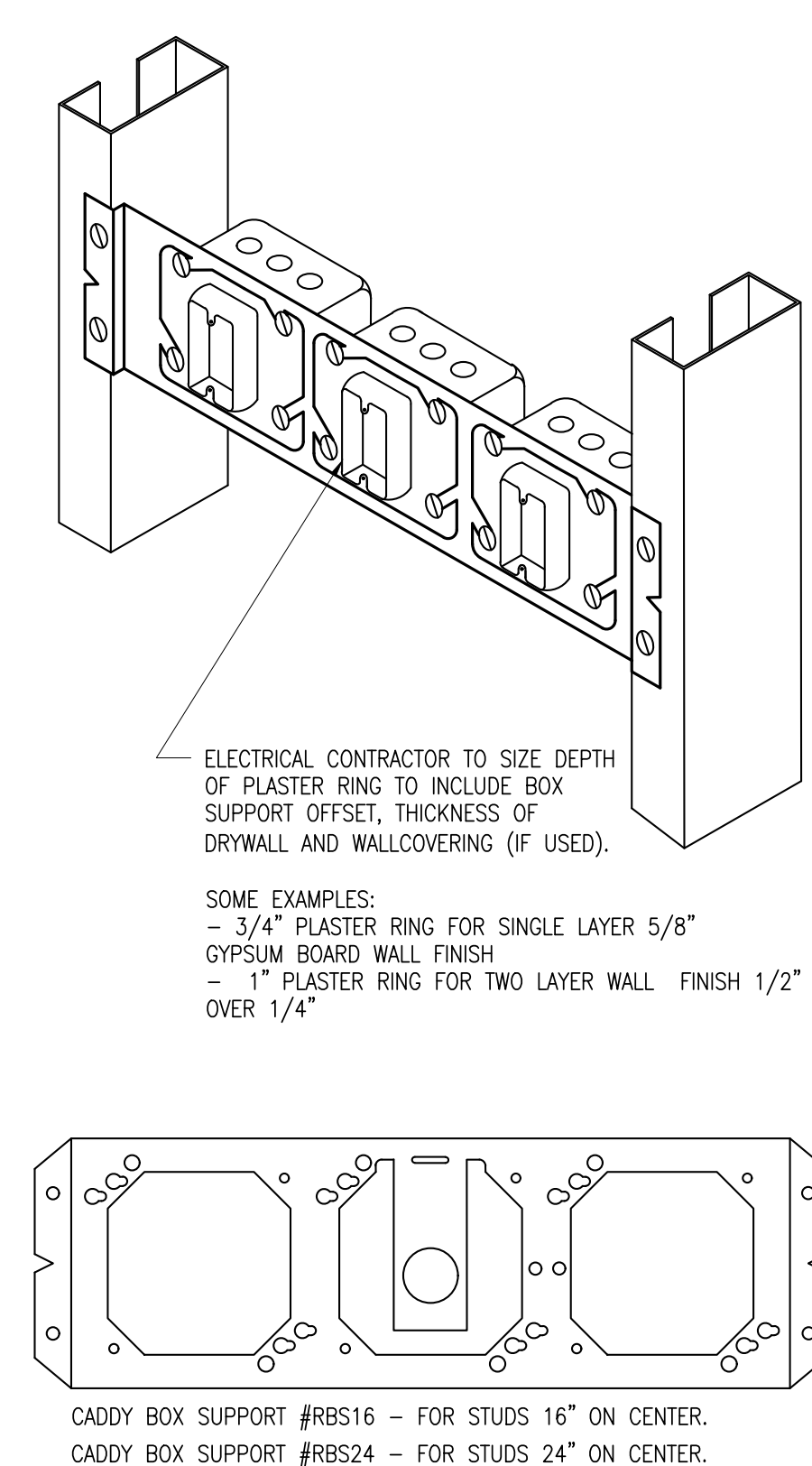
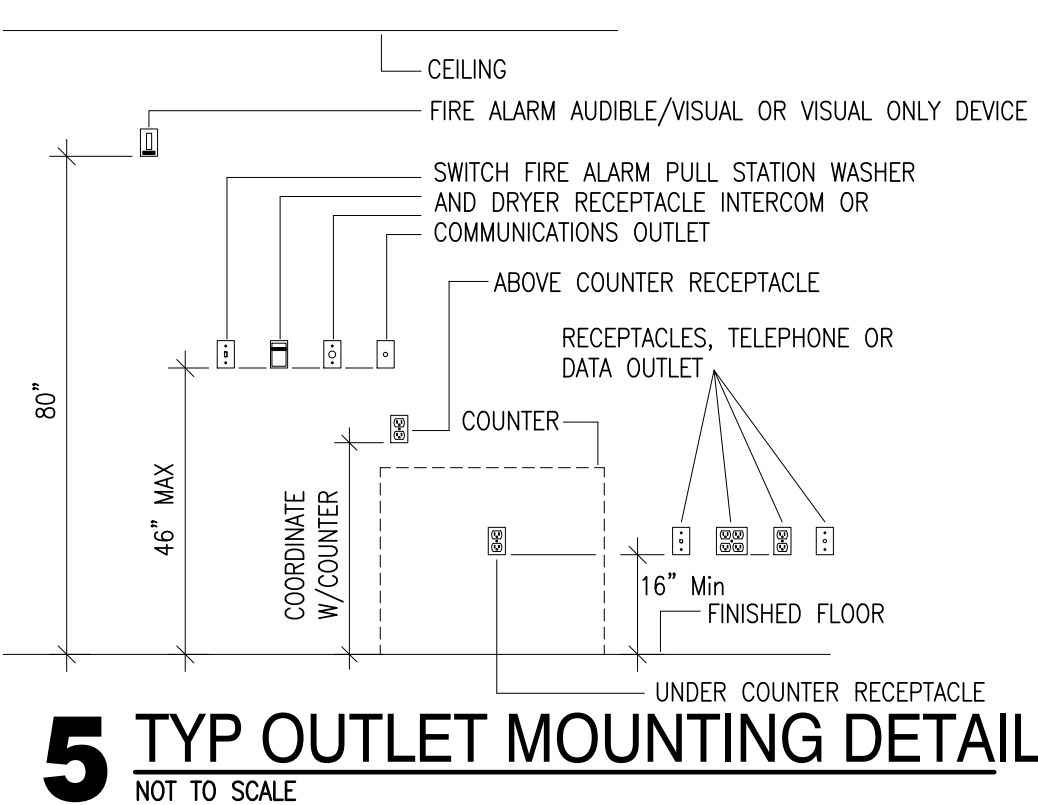
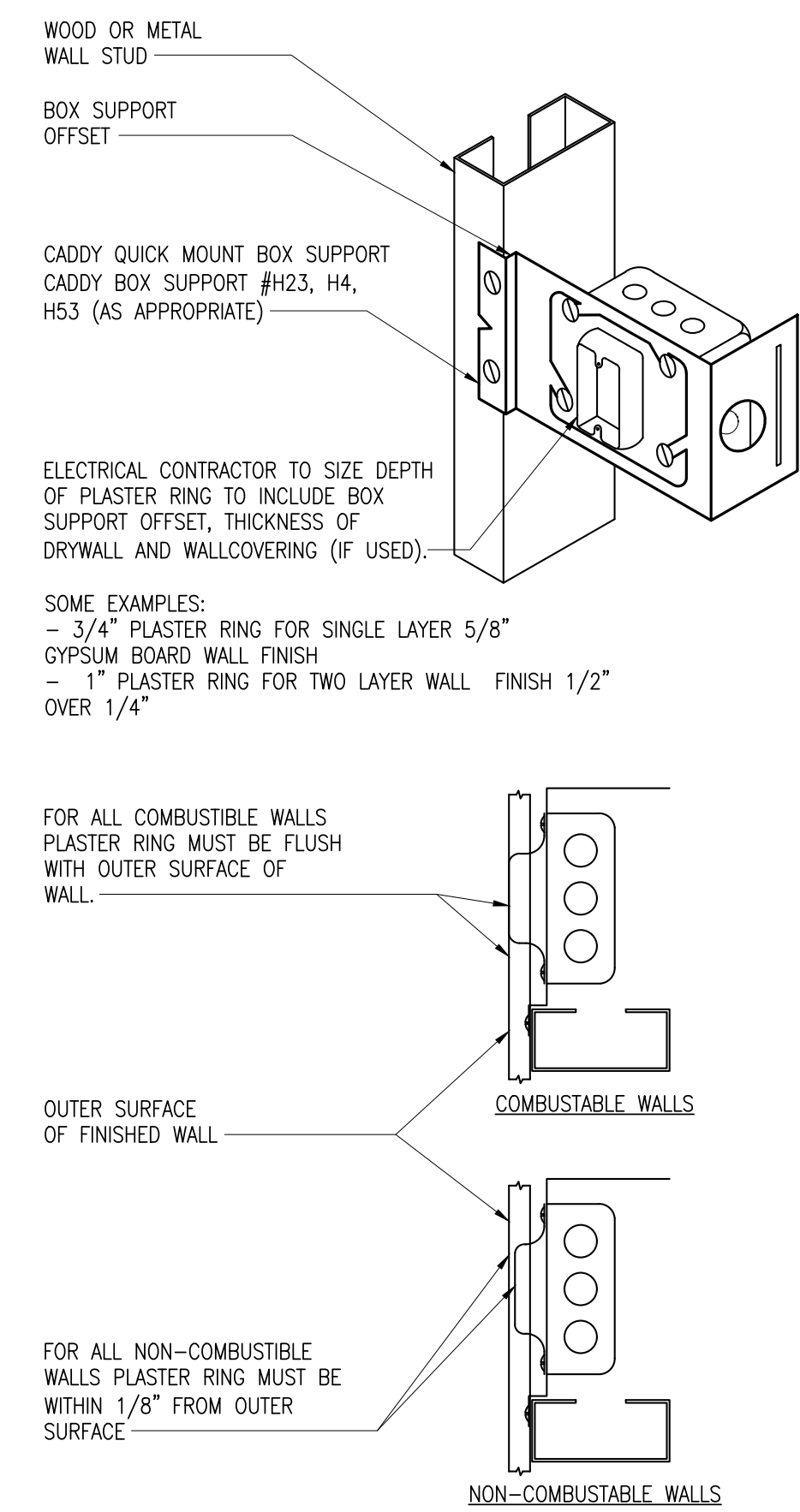
OFFICE
ADDITION -
SOUTHGATE
ELEMENTARY SCHOOL

sheet no:

E501

Salas O'Brien
2600 Van Buren St., Suite 2635
Norman, OK 73072
Salas O'Brien Registration: CA# 7058
Expiration Date: 6/30/2023
Salas O'Brien Project Number: 2023-01140-00

OWNERSHIP USE OF DOCUMENTS:
AGP EXPRESSLY RESERVES ITS
COPYRIGHT AND OTHER PROPERTY
RIGHTS OF ALL PLANS AND DRAWINGS
DESIGNED AND/OR PRODUCED. PLANS
AND DRAWINGS ARE NOT TO BE
REPRODUCED IN ANY FORM OR MANNER
WITHOUT THE EXPRESSED WRITTEN
CONSENT OF AGP.



MOORE PUBLIC SCHOOLS
BOARD OF EDUCATION
MOORE, OKLAHOMA

ABBREVIATIONS

| | |
|------------------------------|------------------------------|
| ABOVE | AT |
| ADJUSTABLE | ADJUSTABLE |
| ANCHOR | ANCHOR |
| APPROXIMATE | APPROXIMATE |
| BOARD | BOARD |
| BLOCKING | BLOCKING |
| BOTTOM | BOTTOM |
| CENTERLINE | CENTERLINE |
| CEILING | CEILING |
| CONCRETE | CONCRETE |
| CONCRETE MASONRY UNIT | CONCRETE MASONRY UNIT |
| CONTINUOUS | CONTINUOUS |
| CONTINUOUS DRINKING FOUNTAIN | CONTINUOUS DRINKING FOUNTAIN |
| DRINKING FOUNTAIN | DRINKING FOUNTAIN |
| DIMENSION | DIMENSION |
| DOOR | DOOR |
| DRAWING | DRAWING |
| DOWEL | DOWEL |
| EACH | EACH |
| ELECTRICAL | ELECTRICAL |
| ELEVATION | ELEVATION |
| EQUAL | EQUAL |
| EXPANSION JOINT | EXPANSION JOINT |
| EACH WAY | EACH WAY |
| EXISTING | EXISTING |
| EXPANSION | EXPANSION |
| FLOOR DRAIN | FLOOR DRAIN |
| FIRE EXTINGUISHER | FIRE EXTINGUISHER |
| FIRE EXTINGUISHER CABINET | FIRE EXTINGUISHER CABINET |
| FEL | FEL |
| FINISH FLOORLINE | FINISH FLOORLINE |
| FINISH | FINISH |
| FRAMING | FRAMING |
| GAUGE | GAUGE |
| GALVANIZED | GALVANIZED |
| GYP/SUM BOARD | GYP/SUM BOARD |
| HANDICAP | HANDICAP |
| HDWD | HARDWOOD |
| HDR | HARDWARE |
| HORZ. | HORIZONTAL |
| HT | HEIGHT |
| INSUL. | INSULATION |
| JST. | JOIST |
| JT. | JOINT |
| LAV. | LAVATORY |
| LMT. | LIMIT |
| MAX. | MAXIMUM |
| MACH. | MECHANICAL |
| MFG. | MANUFACTURING |
| MFR. | MANUFACTURER |
| MISC. | MISCELLANEOUS |
| MIN. | MINIMUM |
| MISC. | MISCELLANEOUS |
| MTL. | METAL |
| NOT IN CONTRACT | NOT IN CONTRACT |
| NO. / # | NUMBER NOT TO SCALE |
| N.T.S. | NOT TO SCALE |
| O.C. | ON CENTER |
| OPNG. | OPENING |
| OPP. | OPPOSITE |
| PP. | POWER POLE |
| PREFIN. | PREFINISHED |
| P.T. / PLY WD. | PAPER TOWEL PLTYWOOD |
| RECD. | REQUIRED |
| RM. | ROOM |
| S.B. | SPLASH BLOCK |
| SCHED. | SCHEDULE |
| STD. | STANDARD |
| STL. | STEEL |
| S.U. | SKY/UNIT |
| T.C. | TOP OF CURB |
| T.P.H. | TYPICAL |
| UNO. | UNLESS NOTED OTHERWISE |
| VTR. | VENT THROUGH ROOF |
| W.C. | WATERCLOSET |
| WD. | WOOD |
| WWF. | WELDED WIRE FABRIC |

MATERIALS LEGEND

| | |
|--|--|
| | MASONRY VENEER |
| | C.M.U. |
| | CONCRETE |
| | FRAME PARTITION, METAL STUDS |
| | GYP/SUM BOARD |
| | PARTICLE BOARD |
| | RIGID INSULATION |
| | WOOD BLOCKING / FRAMING, CONTINUOUS |
| | WOOD BLOCKING, DISCONTINUOUS |
| | FINISH WOOD |
| | SMALL SCALE STRUCTURAL STEEL / MISCELLANEOUS METAL |
| | LARGE SCALE STRUCTURAL STEEL |
| | BATT INSULATION |
| | ACOUSTICAL CEILING TILE |
| | EARTH FILL |

SYMBOLS LEGEND

| | |
|--|--|
| | EXISTING SPOT ELEVATION |
| | FINISH SPOT ELEVATION |
| | EXISTING GRADE CONTOUR |
| | FINISH GRADE CONTOUR |
| | EXISTING TREE TO BE PROTECTED |
| | EXISTING TREE TO BE REMOVED |
| | PROJECT LIMITS |
| | CHANLINK FENCE |
| | BARBED WIRE FENCE |
| | CONCRETE PAVING |
| | ASPHALT PAVING |
| | CONCRETE SIDEWALK |
| | EXISTING PAVING/SIDEWALK TO REMAIN |
| | EXISTING PAVING TO BE REMOVED |
| | NEW BUILDING |
| | EXISTING BUILDING - NO WORK |
| | ROOM NUMBER |
| | ROOM NUMBER, LARGE |
| | SCALE PLAN REFERENCE |
| | ROOM NUMBER/INTERIOR ELEVATION REFERENCE |
| | WALL SECTION/DETAIL CUT MARK |
| | LARGE SCALE DETAIL MARK |
| | STRUCTURAL GRID COORDINATES |
| | BUILDING SECTION CUT MARK |
| | DOOR NUMBER |
| | WINDOW MARK |
| | FRAME MARK |
| | GLAZING MATERIAL MARK |
| | EQUIPMENT MARK |
| | EXTERIOR ELEVATION MARK |
| | TEST HOLE |
| | BENCH MARK/BUILDING ELEVATION (SECTION) |

GENERAL NOTES:

- ALL REQUIRED HANDICAP ACCESSIBLE ITEMS TO COMPLY WITH AMERICANS WITH DISABILITIES ACT AND ARCHITECTURAL BARRIERS ACT ACCESSIBILITY GUIDELINES.
- THE CONTRACTOR SHALL USE ANY LEAD-BASED PAINT OR ASBESTOS CONTAINING MATERIAL ON THIS PROJECT.
- THESE CONTRACT DOCUMENTS INCLUDING BUT NOT LIMITED TO THE DRAWINGS, PROJECT MANUAL, AND ANY SUBSEQUENT ADDENDA ARE ISSUED AS A "WHOLE" AND SHALL BE BID AS SUCH, EACH DISCIPLINE / SUBCONTRACTOR SHALL REVIEW THE ENTIRE SET OF CONTRACT DOCUMENTS AND INCLUDE APPLICABLE WORK IN THEIR BID REGARDLESS OF LOCATION WITHIN THE CONTRACT DOCUMENTS, REVIEWING ONLY THAT PORTION OF THE CONTRACT DOCUMENTS THAT NOT RESOLVE THE CONTRACTOR OR SUBCONTRACTOR OF THE REQUIREMENT TO PERFORM THE WORK OF THEIR RESPECTIVE DISCIPLINES.
- LOCATIONS OF EXISTING BUILDINGS, SITE FEATURES, & UNDERGROUND UTILITIES HAVE BEEN OBTAINED FROM EXISTING AVAILABLE SOURCES, THE CONTRACTOR IS TO FIELD VERIFY EXISTING LOCATIONS PRIOR TO STARTING CONSTRUCTION AND NOTIFY THE ARCHITECT IMMEDIATELY IF ANY EXISTING BUILDING OR SITE FEATURE CONFLICTS WITH THE NEW CONSTRUCTION.
- THE CONTRACTOR SHALL VERIFY ALL EXISTING SITE UTILITIES AND PROTECT DURING CONSTRUCTION. COORDINATE NEW UTILITY REQUIREMENTS WITH APPLICABLE UTILITY COMPANIES (WATER, GAS, ELECTRICITY, SANITARY, SEWER, TELEPHONE, CABLE, SITE DRAINAGE, AND OTHERS AS REQUIRED). COMPLY WITH ALL APPLICABLE REGULATIONS, INCLUDE ALL CONNECTION FEES AND OTHER CHARGES IN BID.
- REFER TO MECHANICAL AND ELECTRICAL DRAWINGS FOR UTILITY INFORMATION.
- REFER TO MECHANICAL AND ELECTRICAL DRAWINGS FOR ADDITIONAL REQUIREMENTS AND CONCRETE TO BE PROVIDED BY CONTRACTOR.
- GENERAL CONTRACTOR TO VERIFY LOCATIONS OF EXISTENTS, ENCUMBRANCES AND SET BACKS PRIOR TO STARTING CONSTRUCTION
- CONFLICTS BETWEEN DRAWINGS AND SPECIFICATIONS SHALL BE BROUGHT TO ARCHITECTS ATTENTION, FAILURE TO BID ITEMS NOTED ON DRAWINGS AND OMITTED FROM SPECIFICATIONS DOES NOT REMOVE RESPONSIBILITY TO PROVIDE AND INSTALL SUCH CHANGES IN BID.

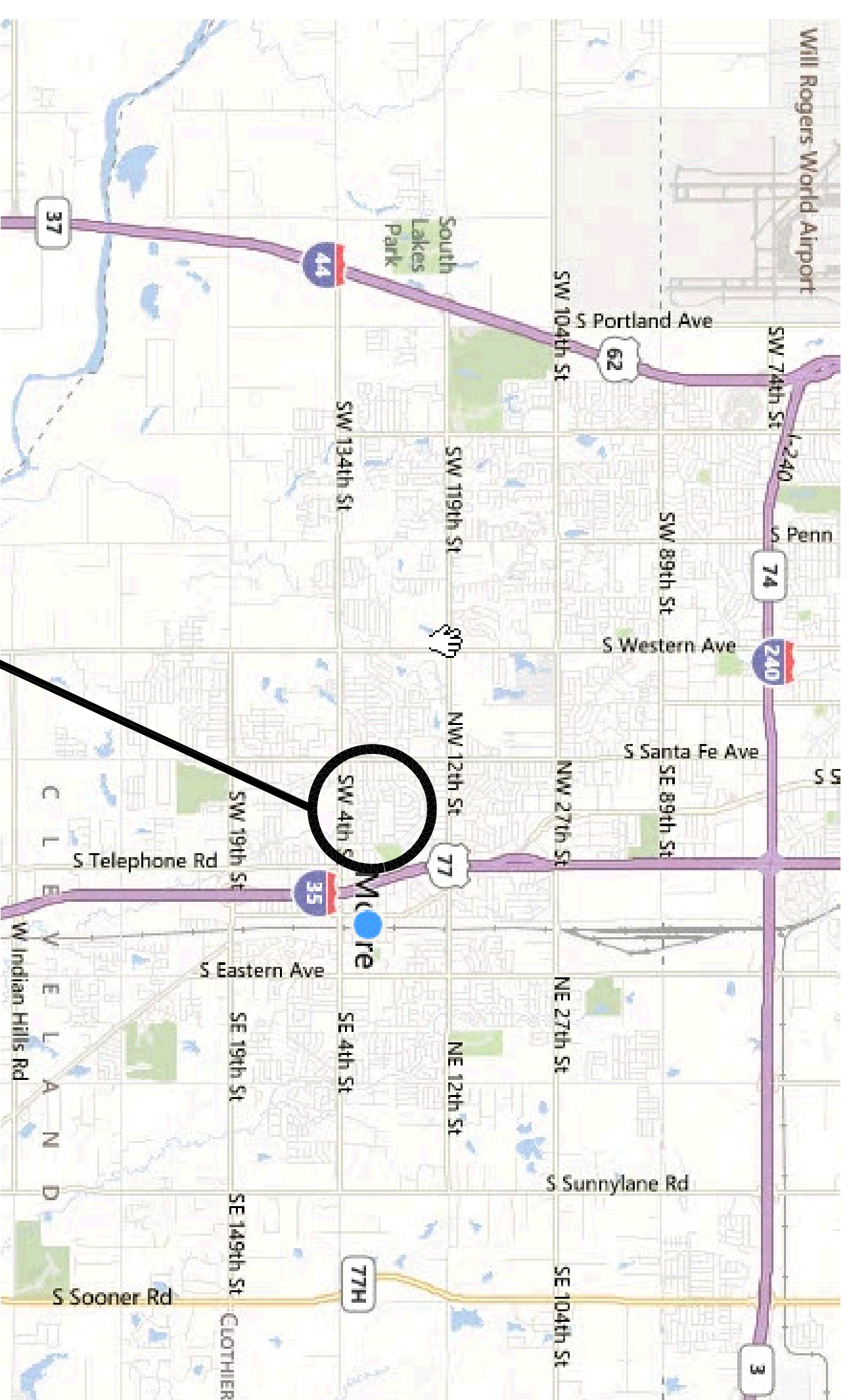
GENERAL NOTES (CONT):

- CONSTRUCTION STAGING AREA & VEHICLE ACCESS SHALL BE CONFIRMED WITH OWNER, AND CONSTRUCTION MANAGER IF APPLICABLE, PRIOR TO CONSTRUCTION.
- FINISH GRADE AT BUILDING PERIMETERS SHALL BE 6" BELOW FINISH FLOOR UNLESS SPECIFICALLY NOTED OTHERWISE ON CIVIL DRAWINGS, DEVELOP POSITIVE DRAINAGE AWAY FROM NEW AND/OR EXISTING BUILDINGS!
- ALL GRID LINES IDENTIFIED BY A LETTER OR NUMBER ARE PARALLEL, UNLESS OTHERWISE NOTED.
- SIZES OF HOUSKEEPING PADS AND BASES FOR MECHANICAL EQUIPMENT ARE APPROXIMATE. CONTRACTOR SHALL VERIFY EXACT LOCATION AND REQUIRED SIZE OF ALL CONCRETE PADS AND BASES WITH EQUIPMENT MANUFACTURERS BEFORE POURING. ALL PADS TO BE PROVIDED BY THE CONTRACTOR.
- CONTRACTOR SHALL COORDINATE THE INSTALLATION OF THE VARIOUS TRADE ITEMS WITHIN THE SPACE ABOVE THE CEILING (INCLUDING, BUT NOT LIMITED TO STRUCTURAL MEMBERS AND SPRAY-ON INSULATION OR FIBERGLASS, MECHANICAL DUCTS AND BATT INSULATION, CONDENSATE, RACEWAY, SPRINKLER SYSTEMS, LIGHT FIXTURES, CEILING SYSTEMS, AND ANY SPECIAL STRUCTURAL SUPPORTS REQUIRED) AND SHALL BE RESPONSIBLE FOR MAINTAINING THE FINISH CEILING HEIGHT ABOVE THE FINISH FLOOR INDICATED IN THE DRAWINGS AND FINISH SCHEDULE.
- ALL METAL STUDS WALLS WHERE PLUMBING OCCURS OR STRUCTURAL COLUMNS ARE LOCATED SHALL BE MINIMUM 6" METAL STUDS NOTIFY ARCHITECT OF ANY DISCREPANCIES OR CONFLICTS.
- PROVIDE AND INSTALL ACCESS PANELS WHERE REQUIRED BY BUILDING CODE OR FOR THE PROPER OPERATION OF MECHANICAL OR ELECTRICAL EQUIPMENT AND AS SHOWN ON THE DRAWINGS. CONTRACTOR SHALL COORDINATE SIZE, LOCATION, AND TYPE OF ACCESS PANEL WITH OTHER CONTRACTORS WORK AND RECEIVE APPROVAL OF THE ARCHITECT. ACCESS PANEL SHALL BE AS SPECIFIED.
- 3/4" FIRE-RETARDANT TREATED PLYWOOD BACKING 8'-0" HIGH SHALL BE PROVIDED AND INSTALLED ON ALL WALLS OF TELEPHONE AND ELECTRICAL ROOMS UNLESS SPECIFICALLY SHOWN OTHERWISE ON ELECTRICAL DRAWINGS.
- ALL WOOD WITHIN THIS PROJECT (IE PLYWOOD, BLOCKING, ETC.) SHALL BE FIRE-RETARDANT TREATED.
- FOR ILLUSTRATION AND DEFINITION OF TYPICAL SYMBOLS USED ON THE ARCHITECTURAL DRAWINGS, SEE "SYMBOLS AND ABBREVIATIONS" SHEET. ADDITIONAL SYMBOLS NOT SHOWN OR DENIED THESE MAY OCCUR AND ARE DENIED ON OTHER DRAWINGS.
- REFER TO SPECIFICATIONS FOR ADDITIONAL PAINT ITEMS NOT SHOWN ON ROOM FINISH SCHEDULE.
- THE SPECIFICATIONS AND ALL CONSULTANT DRAWINGS ARE SUPPLEMENTAL TO THE ARCHITECT'S WORK AND TO BRING ANY DISCREPANCIES OR CONFLICTS TO THE ARCHITECT'S ATTENTION FOR CLARIFICATION, IMPROPERLY INSTALLED WORK SHALL BE CORRECTED BY THE CONTRACTOR AT NO EXPENSE TO THE ARCHITECT HIS CONSULTANTS, OR THE OWNER.
- THE ARCHITECTURAL DRAWINGS ARE A PART OF A LARGER SET OF DRAWINGS WHICH, WHEN COMPLETE, CONSISTS OF ALL DRAWINGS LISTED BY THE INDEX OF DRAWINGS. THE WORK DESCRIBED BY THE DRAWINGS OF ANY ONE DISCIPLINE MAY BE AFFECTED BY THE WORK DESCRIBED ON DRAWINGS OF ANOTHER DISCIPLINE AND MAY REQUIRE REFERENCE TO DRAWINGS OF ANOTHER DISCIPLINE. PARTIAL SETS OF DRAWINGS SHALL NOT BE DISTRIBUTED AND UTILIZED BY THE CONTRACTOR. IT IS THE CONTRACTOR'S RESPONSIBILITY TO REVIEW AND COORDINATE THE WORK OF ALL SUBCONTRACTORS, TRADES, AND SUPPLIERS WITH THE REQUIREMENTS OF THE CONTRACT BEFORE COMMENCING CONSTRUCTION AND TO ASSURE THAT ALL PARTIES ARE AWARE OF ALL REQUIREMENTS REGARDLESS OF WHERE THE REQUIREMENTS OCCUR IN THE CONTRACT DOCUMENTS.
- THE ARCHITECTURAL DRAWINGS ESTABLISH AND COORDINATE THE FINISHED APPEARANCE AND EXACT LOCATIONS OF ALL EXPOSED ELEMENTS OF THE WORK INCLUDING THAT WORK WHICH IS ILLUSTRATED PRIMARILY ON DRAWINGS OF OTHER DISCIPLINES. LOCATIONS SHOWN ON OTHER DRAWINGS ARE SCHEMATIC, UNLESS OTHERWISE NOTED ON THE ARCHITECTURAL DRAWINGS. THE ARCHITECTURAL DRAWINGS TAKE PRECEDENCE FOR THE FINISHED APPEARANCE AND EXACT LOCATION OF ALL PARTS OF THE WORK. EXCEPTIONS, DIMENSIONS INDICATED ON DRAWINGS OF OTHER DISCIPLINES SHALL GOVERN ONLY WHERE (A) SPECIFICALLY AND INDIVIDUALLY INDICATED BY SYMBOL, KEYED NOTE OR NOTATION ON THE ARCHITECTURAL DRAWINGS, (B) OCCURS WITHIN A ROOM OR OTHER IDENTIFIED SPACE FOR WHICH ARCHITECTURAL SHEET OR SCHEDULE NOTES INDICATE THAT DIMENSIONS PROVIDED ELSEWHERE SHALL GOVERN.)
- WORK NOT SPECIFICALLY INDICATED ON A PART OF THE DRAWINGS BUT REASONABLY IMPLIED TO BE SIMILAR TO WORK SHOWN ON THE DRAWINGS IN CORRESPONDING AND OTHER PLACES SHALL BE CONSTRUCTED SIMILARLY.
- PROVIDE FIRE EXTINGUISHERS WITH A RATING OF NOT LESS THAN 2A WITHIN 75 FOOT TRAVEL DISTANCE TO ALL PORTIONS OF THE BUILDING. PROVIDE PORTABLE FIRE EXTINGUISHERS AS THE BUILDING IS CONSTRUCTED.

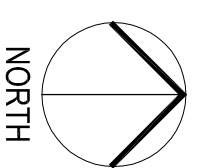
PROJECT LOCATION

Legal Description:
SOUTH GATE ALL BLK 40

SOUTHGATE ELEMENTARY
30 0' N, NORMAN
MOORE, OKLAHOMA 73160



VICINITY MAP



OWNERSHIP USE OF DOCUMENTS:

AGP EXPRESSLY RESERVES ITS COPYRIGHT AND OTHER PROPERTY RIGHTS OF ALL PLANS AND DRAWINGS DESIGNED AND/OR PRODUCED BY AGP. THESE PLANS AND DRAWINGS ARE REPRODUCED IN ANY FORM OR MANNER WITHOUT THE EXPRESS WRITTEN CONSENT OF AGP.

G100

OFFICE
ADDITION -
SOUTHGATE
ELEMENTARY SCHOOL

MOORE Public Schools
LEARNING FOR LIFE

MOORE PUBLIC SCHOOLS
BOARD OF EDUCATION
MOORE, OKLAHOMA

CS
designed by
MA
checked by
MARC 2639
DATE
08/18
revisions

STATE OF OKLAHOMA
MICHAEL L. ABLA
2639
3/12/8/23

KFC ENGINEERING
STRUCTURAL
SALVA O'BRIEN
MECHANICAL/ELECTRICAL

the Abla Griffin
Partnership L.L.C.
201 N. BROADWAY
SUITE 210
MOORE, OK. 73160
405.735.3477
ACGP@theACGP.net
www.theACGP.net



GENERAL MECHANICAL NOTES

- ALL WORK SHALL BE IN COMPLIANCE WITH STATE AND LOCAL CODES.
- THE CONTRACTOR SHALL PAY FOR ALL FEES, PERMITS, LICENSES, ETC., NECESSARY FOR PROPER COMPLETION OF THE WORK.
- INSTALL ALL EQUIPMENT IN ACCORDANCE WITH MANUFACTURERS RECOMMENDATIONS.
- VERIFY ALL EXISTING CONDITIONS. NOTIFY ENGINEER OF ANY CONFLICTS BETWEEN CONTRACT DRAWINGS AND ACTUAL CONDITIONS.
- EXISTING UTILITIES TO BE ABANDONED SHALL BE PROPERLY DISCONNECTED AND CAPPED AS REQUIRED BY CODE OR LOCAL ORDINANCE.
- THESE DRAWINGS ARE DIAGRAMMATIC AND SHALL NOT BE SCALED. ADDITIONAL DATA SHALL BE FROM THE ENGINEER THROUGH WRITTEN CLARIFICATION ONLY. VERIFY ALL EXISTING CONDITIONS, ELEVATIONS, AND DIMENSIONS BEFORE PROCEEDING WITH ANY PORTION OF ANY WORK. THE CONTRACTOR SHALL PROVIDE ALL OFFSETS AND TRANSITIONS REQUIRED TO MEET EXISTING CONDITIONS.
- THE CONTRACTOR SHALL PERFORM WORK IN A SKILLED AND PROFESSIONAL MANNER.
- ALL CONTRACTORS ARE RESPONSIBLE TO FIELD COORDINATE WORK SCHEDULE WITH OWNER REPRESENTATIVE.
- THE CONTRACTOR SHALL WORK AND COORDINATE WITH THE OTHER TRADES.
- ALL EQUIPMENT SHALL BE NEW AND IN UNDAMAGED CONDITION. ANY EQUIPMENT FOUND DEFECTIVE SHALL BE IMMEDIATELY REMOVED FROM THE PROJECT.
- PROVIDE 3 COPIES OF AN OPERATION AND MAINTENANCE MANUAL FOR ALL MAJOR EQUIPMENT INCLUDING SERVICE. MAJOR EQUIPMENT INCLUDES BUT IS NOT LIMITED TO COILS, FANS, AND CONTROL WIRING DIAGRAMS. EACH PIECE OF EQUIPMENT SHALL STATE THE CONTRACT DATE AND THE NAME, ADDRESS AND PHONE NUMBER FOR THE PRIME CONTRACTOR, SUBCONTRACTOR PERFORMING THE INSTALLATION, AND THE LOCAL VENDOR FOR SPARE PARTS. THE MANUALS SHALL CONTAIN MAINTENANCE INSTRUCTIONS REQUIRED FOR THE INSTALLED EQUIPMENT. MANUALS SHALL BE BOUND IN A THREE RING HARD COVER BINDER. O & M MANUALS SHALL BE SUBMITTED TO THE OWNER PRIOR TO FINAL WALK THROUGH OF THE PROJECT.
- PROVIDE 8 HOURS OF OWNER TRAINING FOR THE INSTALLED EQUIPMENT. TRAINING SHALL BE HELD ONLY AFTER ALL OF THE EQUIPMENT IS INSTALLED AND PROPER OPERATION IS VERIFIED.
- CONTRACTOR SHALL SUBMIT A CERTIFIED REPORT INDICATING SYSTEM PERFORMANCE INCLUDING, BUT NOT LIMITED TO, VOLTAGE AND AMPERAGE MEASUREMENTS OF ALL EQUIPMENT GREATER THAN 1/3 H.P. WATER BALANCE MEASUREMENTS OF EACH COIL AND PUMP. AIR BALANCE MEASUREMENTS OF OUTSIDE AIR DELIVERY, AIR HANDLING UNIT SUPPLY, SUPPLY DIFFUSERS, EXHAUST AND RETURN GRILLES. AIR BALANCE SHALL BE WITHIN 10% OF DESIGN CONDITIONS. THE REPORT CERTIFICATION SHALL BE AS FOLLOWS:

I (name) of (company) CERTIFY THAT ALL MEASUREMENTS, FIGURES AND STATEMENTS INDICATED IN THIS REPORT WERE TAKEN BY ME OR UNDER MY SUPERVISION AND ARE ACCURATE AS OF (date). DESIGN FLOWS WERE BASED UPON PLANS DATED (xx/xx/xx).
- DUCT MATERIAL SHALL BE GALVANIZED OR ALUMINUM CONSTRUCTION IN ACCORDANCE WITH SMACNA DUCT CONSTRUCTION STANDARD 2005 FOR THE PRESSURE AND SEAL CLASS LISTED IN DUCTWORK/INSULATION SCHEDULE.
- DUCT SIZES LISTED ON PLANS ARE THE REQUIRED CLEAR INTERIOR DIMENSIONS.
- SUPPLY AND RETURN BRANCH DUCTS MAY BE INSULATED FLEX DUCT IF THE RUN IS LESS THAN 5 FEET IN LENGTH. ANY LENGTHS OVER 5 FEET SHALL BE RIGID DUCTWORK. DUCT SHALL BE THE SAME SIZE AS THE LISTED DIFFUSER THROAT UNLESS NOTED OTHERWISE.
- PROVIDE VOLUME CONTROL DAMPERS WHERE INDICATED AND AT ALL TAKEOFFS, BOTH SUPPLY AND RETURN SYSTEMS, AND MAJOR DUCT RUNS. DAMPERS SHALL BE FACTORY-FABRICATED WITH ZINC-PLATED, DIE-CAST CONTROL HARDWARE. CONTROL HARDWARE SHALL INCLUDE HEAVY GAUGE DIAL AND HANDLE WITH ELEVATED PLATFORM FOR INSULATED DUCT MOUNTING.
- PROVIDE TURNING VANES IN ALL RECTANGULAR ELBOWS CONFORMING TO SMACNA DUCT CONSTRUCTION STANDARD 2005 FIG. 4-2 TYPE RE-3 WITH STANDARD RADIUS. WHERE SPACE PERMITS, PROVIDE RADIUS ELBOWS IN ACCORDANCE WITH FIGURES 4-2, TYPE RE-1.
- ALL RECTANGULAR MAIN TO RECTANGULAR BRANCH CONNECTIONS, BOTH CONVERGING AND DIVERGING CONFIGURATIONS, SHALL HAVE A 45 DEG. ENTRY TAP CONSTRUCTED IN ACCORDANCE WITH SMACNA DUCT CONSTRUCTION STANDARD 2005 FIG. 4-6.
- DIFFUSER PATTERN 4-WAY UNLESS OTHERWISE INDICATED. PROVIDE FIBERGLASS DUCT INSULATION WITH VAPOR BARRIER AS SCHEDULED UNLESS NOTED OTHERWISE.
- MECHANICAL CONTRACTOR TO REPAIR ANY DAMAGE DONE TO THE FIRE PROOFING WHILE INSTALLING THE MECHANICAL TRADES. SEAL ALL PENETRATIONS THROUGH RATED STRUCTURES WITH UL LISTED FIRE SEAL DESIGNED FOR THE SPECIFIED APPLICATION.
- THE CONTRACTOR SHALL TAKE ALL PRECAUTIONARY MEASURES TO PROTECT THE PUBLIC AND ADJACENT PROPERTIES FROM DAMAGE THROUGHOUT CONSTRUCTION.
- THE CONTRACTOR SHALL GUARANTEE ALL WORKMANSHIP AND MATERIALS FOR A PERIOD OF ONE (1) YEAR FROM THE DATE OF SUBSTANTIAL COMPLETION OR AS OTHERWISE REQUIRED IN THE SPECIFICATIONS.
- MECHANICAL CONTRACTOR TO INCLUDE THE TEST AND BALANCE, AND ANY PERMIT FEES IN THEIR BID.
- MECHANICAL CONTRACTOR SHALL VERIFY ALL ROOFTOP EQUIPMENT WEIGHTS, SIZES, LOCATIONS AND OPENINGS REQUIRED AND SHALL COORDINATE ANY CHANGES WITH THE ARCHITECT.
- UPON PROJECT COMPLETION, RECORD (AS-BUILT) DRAWINGS SHALL BE PROVIDED BY THE CONTRACTOR TO THE BUILDING OWNER. ALL CHANGES MADE TO EQUIPMENT, DUCTWORK, AND GENERAL DESIGN SHALL BE NOTED ON THE DRAWINGS. PROVIDE IN PDF FORMAT OR PRINTED SET AT THE OWNER'S REQUEST.

GRILLE, REGISTER, AND DIFFUSER SCHEDULE

| PLAN SYMBOL | DESCRIPTION | MANUFACTURER & MODEL NO. | MATERIAL | FINISH | NOISE CRITERIA |
|-------------|--|--------------------------|----------|--------|----------------|
| CDR-1 | SQUARE FACE, ROUND NECK, 4-WAY DEFLECTION CEILING DIFFUSER, SPRING LOCK INNER CORE, FOR LAY-IN CEILING INSTALLATION. | PRICE SCD (4C) | STEEL | WHITE | -- |
| CDR-2 | SQUARE FACE, ROUND NECK, 4-WAY DEFLECTION CEILING DIFFUSER, SPRING LOCK INNER CORE, FOR SURFACE MOUNT INSTALLATION. | PRICE SCD (4C) | STEEL | WHITE | -- |
| RG-1 | SQUARE PATTERN GRILLE, FIXED CORE OF 1/2"x1/2"x1/2" FABRICATED ALUMINUM SQUARES, FLAT FRAME WITH 1/4" MARGIN, FOR LAY-IN CEILING INSTALLATION. | PRICE 80 | ALUMINUM | WHITE | -- |

NOTES:
SEE PLANS FOR QUANTITY AND SIZES.
M.C. TO FIELD VERIFY CEILING TYPE FOR ALL GRD BEFORE PURCHASING EQUIPMENT. PROVIDE REQUIRED MOUNTING.

DUCTWORK/INSULATION SCHEDULE

| SYSTEM | LOW PRESSURE | | | | MED. PRESS. | | HIGH PRESS. | | INSULATION | | | | NOTES |
|-------------------------------|--------------|------|----|----|-------------|--------|-------------|--------|------------|-----------|----------|-----------|-------|
| | MAX. PRES. | SEAL | | | MAX. PRES. | SEAL A | MAX. PRES. | SEAL A | INTERNAL | THICKNESS | EXTERNAL | THICKNESS | |
| | | A | B | C | | | | | | | | | |
| SUPPLY AIR WITHIN 10' OF UNIT | 2" | X | -- | -- | -- | -- | -- | -- | YES | 1" | NO | -- | -- |
| SUPPLY AIR BEYOND 10' OF UNIT | 2" | X | -- | -- | -- | -- | -- | -- | NO | -- | YES | 2" FSK | -- |
| RETURN AIR WITHIN 10' OF UNIT | 2" | -- | X | -- | -- | -- | -- | -- | YES | 1" | NO | -- | -- |
| RETURN AIR BEYOND 10' OF UNIT | 2" | -- | X | -- | -- | -- | -- | -- | NO | -- | YES | 2" FSK | -- |
| OUTSIDE AIR/MIXED AIR | 2" | -- | X | -- | -- | -- | -- | -- | NO | -- | YES | 3" FSK | -- |

NOTES:

ROOF HOOD SCHEDULE - BASE DESIGN

| RH | THROAT SIZE DIMENSION (IN) | THROAT AREA (FF) | DAMPER BDD OR MOD | CONSTRUCTION | MANUFACTURER & MODEL NO. | COMMENTS | NOTES |
|----|----------------------------|------------------|-------------------|--------------|--------------------------|--------------------|-------|
| 3 | BX24 | 1.33 | MOD | ALUMINUM | GREENHECK FGI | COLOR BY ARCHITECT | 1-3 |

NOTES:
M.C. IS RESPONSIBLE FOR PROVIDING ANY AND ALL NECESSARY DIMENSIONAL, ELECTRICAL, MECHANICAL, AND STRUCTURAL ALTERATIONS NECESSITATED BY PROVIDING ALTERNATE EQUIPMENT.
1. M.C. TO PROVIDE ROOF HOOD WITH ALUMINUM BIRDSCREEN.
2. M.C. SHALL PROVIDE ROOF CURB, CURB INSTALLATION BY G.C.
3. M.C. SHALL PROVIDE LOW VOLTAGE MOTORIZED DAMPER.

GAS FURNACE SCHEDULE - BASE DESIGN

| F | TYPE | INPUT MBH | OUTPUT MBH | CFM | MIN. F.A. | EXT. S.P. | HEAT EXCH. MTL | BLOWER | | | | PILOT | VENT | FILTER MERV 8 MIN. | MANUFACTURER & MODEL NO. | NOTES |
|---|-------|-----------|------------|------|-----------|-----------|----------------|--------|--------|------|------------|-------|------|--------------------|--------------------------|-------|
| | | | | | | | | SIZE | DRIVE | H.P. | ELEC. CHAR | | | | | |
| 1 | HORIZ | 120 | 115 | 1750 | 350 | 0.6 | ALUMINIZED STL | 11X11 | DIRECT | 1 | 120/1 | HOT S | 3" | 2" TA | YORK TM9V120D20MP12C | 1-4 |

NOTES:
M.C. IS RESPONSIBLE FOR PROVIDING ANY AND ALL NECESSARY DIMENSION, ELECTRICAL, MECHANICAL, AND STRUCTURAL ALTERATIONS NECESSITATED BY PROVIDING ALTERNATE EQUIPMENT.
1. PROVIDE CONCENTRIC VENT. INSTALL PER MANUFACTURER INSTRUCTIONS. MAINTAIN MINIMUM CLEARANCES: 36" BETWEEN VENTS, 10'-0" FROM ANY FRESH AIR INTAKE.
2. PROVIDE CO₂ SENSOR. INSTALLATION BY CONTROLS CONTRACTOR. INTERLOCK CO₂ SENSOR WITH MOTORIZED DAMPER IN OUTSIDE AIR DUCT.
3. PROVIDE FURNACE WITH 2 STAGE HEATING.
4. DUCT SMOKE DETECTOR AND REMOTE TEST STATION PROVIDED BY AND INSTALLED BY E.C. REMOTE TEST STATION TO BE LOCATED IN OCCUPIED SPACE AND CONNECTION TO FIRE ALARM SYSTEM BY E.C. COORDINATE WITH E.C.

CONDENSING UNIT SCHEDULE - BASE DESIGN

| CU | CONDENSING UNIT | | | | | | | EVAPORATOR UNIT | | | | | NOTES | |
|----|-----------------|------------|------|------|---------|--------------|--------------------------|-----------------|----------|--------------|----------------------|-----|------------------|--------------------------|
| | NOMINAL TONNAGE | ELEC. CHAR | MCA | MOCP | S.E.E.R | WEIGHT (LBS) | MANUFACTURER & MODEL NO. | CFM | MAX S.P. | BLOWER MOTOR | ELEC. CHAR | MCA | | MANUFACTURER & MODEL NO. |
| 1 | 5 | 240/1 | 31.4 | 50 | 19 | 295 | YORK YXT60B21S | 1750 | 0.3 | -- | SEE FURNACE SCHEDULE | -- | YORK XAFD60JBCN1 | 1-7 |

NOTES:
M.C. IS RESPONSIBLE FOR PROVIDING ANY AND ALL NECESSARY DIMENSIONAL, ELECTRICAL, MECHANICAL, AND STRUCTURAL ALTERATIONS NECESSITATED BY PROVIDING ALTERNATE EQUIPMENT.
1. E.C. TO PROVIDE AND INSTALL POWER DISCONNECT FOR UNIT. COORDINATE WITH M.C.
2. M.C. TO INCLUDE PRE-CHARGED LINE KIT. INSULATE SUCTION LINE.
3. TWO STAGE COOLING.
4. FOR LINE LENGTH EXCEEDING 50', M.C. MUST PROVIDE FACTORY DESIGNED AND FACTORY OR FIELD FABRICATED REFRIGERANT PIPING.
5. MOUNT UNITS ON CONDENSING UNIT SUPPORTS RE: 10/M501 FOR MORE INFORMATION.
6. INSULATE SUCTION LINE WITH 5/8" AP ARMAFLEX INSULATION OR EQUAL. SEAL ALL JOINTS WATER TIGHT TO PREVENT CONDENSATE IN THE CEILING.
7. PROVIDE UNIT WITH HAIL GUARD.

ABBREVIATIONS

| | | | |
|----------|-------------------------------|------|---------------------------|
| A | AMP | IN | INCH |
| ADD | ADDENDUM | LAT | LEAVING AIR TEMPERATURE |
| ADJ | ADJUSTABLE | LB | POUND |
| AFF | ABOVE FINISH FLOOR | LWT | LEAVING WATER TEMPERATURE |
| AHU | AIR HANDLER UNIT | MAX | MAXIMUM |
| AI | ANALOG INPUT | MBH | 1000 BTU PER HOUR |
| ALT | ALTERNATE | MC | MECHANICAL CONTRACTOR |
| AD | ANALOG OUTPUT | MCA | MINIMUM CIRCUIT AMPS |
| APPRX | APPROXIMATE | MECH | MECHANICAL |
| ARCH | ARCHITECT, ARCHITECTURAL | MIN | MINIMUM |
| BDD | BACK DRAFT DAMPER | MFR | MANUFACTURER |
| BLDG | BUILDING | NTS | NOT TO SCALE |
| BTUH | BRITISH THERMAL UNIT PER HOUR | OA | OUTSIDE AIR |
| C | CENTER | OC | ON CENTER |
| CD | CEILING DIFFUSER | P | PUMP |
| CFM | CUBIC FEET PER MINUTE | PC | PLUMBING CONTRACTOR |
| CO | CLEAN OUT | PLBG | PLUMBING |
| COND | CONDENSATE | PSI | POUNDS PER SQUARE INCH |
| CONT | CONTINUOUS | QTY | QUANTITY |
| COP | COEFFICIENT OF PERFORMANCE | RA | RETURN AIR |
| DB | DRY BULB | REQD | REQUIRED |
| DET | DETAIL | REV | REVERSE OR REVISION |
| DG | DOOR GRILLE | RG | RETURN AIR GRILLE |
| DI | DIGITAL INPUT | RPM | REVOLUTIONS PER MINUTE |
| DIA OR Ø | DIAMETER | RTU | ROOF TOP UNIT |
| DIM | DIMENSION | SA | SUPPLY AIR |
| DN | DOWN | SOFT | SQUARE FEET |
| DO | DIGITAL OUTPUT | SG | SUPPLY GRILLE |
| DWG | DRAWING | SP | STATIC PRESSURE |
| EA | EXHAUST AIR | SPEC | SPECIFICATIONS |
| EAT | ENTERING AIR TEMPERATURE | SS | STAINLESS STEEL |
| EC | ELECTRICAL CONTRACTOR | T&B | TEST AND BALANCE |
| EER | ENERGY EFFICIENCY RATIO | TEMP | TEMPERATURE OR TEMPORARY |
| EF | EXHAUST FAN | TG | TRANSFER GRILLE |
| EG | EXHAUST GRILLE | TYP | TYPICAL |
| ELEC | ELECTRICAL | V | VOLT |
| ERV | ENERGY RECOVERY VENTILATOR | VAR | VARIABLE OR VARIES |
| ESP | EXTERNAL STATIC PRESSURE | VEL | VELOCITY |
| EWT | ENTERING WATER TEMPERATURE | VFD | VARIABLE FREQUENCY DRIVE |
| EXIST | EXISTING | VTR | VENT THRU ROOF |
| FA | FRESH AIR | W/ | WITH |
| FFM | FEET PER MINUTE | W/IN | WITHIN |
| FT | FOOT (FEET) | W/O | WITH OUT |
| GA | GAUGE/GAGE | WB | WET BULB |
| GALV | GALVANIZED | WC | WATER COLUMN (INCHES OF) |
| GC | GENERAL CONTRACTOR | WT | WEIGHT |
| GPM | GALLONS PER MINUTE | | |
| GYP | GYP SUM | | |
| HORIZ | HORIZONTAL | | |
| HP | HORSEPOWER | | |
| HT | HEIGHT | | |
| I/O | INPUT/OUTPUT | | |

MECHANICAL HVAC LEGEND

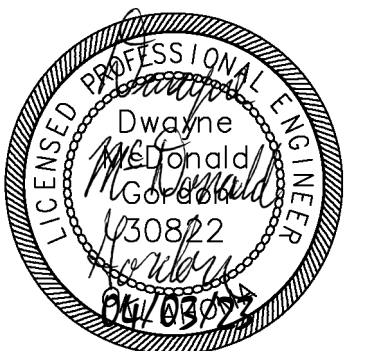
| | | | |
|--|--|--|--|
| EXHAUST AIR DUCT (DOWN) | | EXHAUST AIR DUCT (UP) | |
| RETURN AIR DUCT (DOWN) | | RETURN AIR DUCT (UP) | |
| OUTSIDE OR SUPPLY AIR DUCT (DOWN) | | OUTSIDE OR SUPPLY AIR DUCT (UP) | |
| DUCT SIZE | | NEW DUCTWORK | |
| FLEX DUCT | | EXISTING DUCTWORK | |
| DEMOLITION LINETYPE | | SUPPLY AIR CEILING DIFFUSER | |
| RETURN AIR GRILLE | | EXHAUST AIR GRILLE | |
| DIFFUSER, GRILLE, AND REGISTER CALL-OUTS | | SCHEDULED EQUIPMENT TAG | |
| MANUAL BALANCING DAMPER | | PIPE PENETRATION THROUGH FIRE RATED WALL | |
| FIRE DAMPER | | SMOKE DAMPER | |
| MOTORIZED DAMPER | | FIRE/SMOKE DAMPER | |
| THERMOSTAT | | HUMIDISTAT | |
| REMOTE SENSOR | | CARBON DIOXIDE SENSOR | |
| DUCT SMOKE DETECTOR | | | |

MECHANICAL SHEET INDEX

| | |
|------|---|
| M000 | MECHANICAL LEGEND, NOTES, AND SCHEDULES |
| M101 | MECHANICAL DUCTWORK PLAN |
| M201 | MECHANICAL ROOF PLAN |
| M501 | MECHANICAL DETAILS |
| M601 | MECHANICAL SCHEDULE |

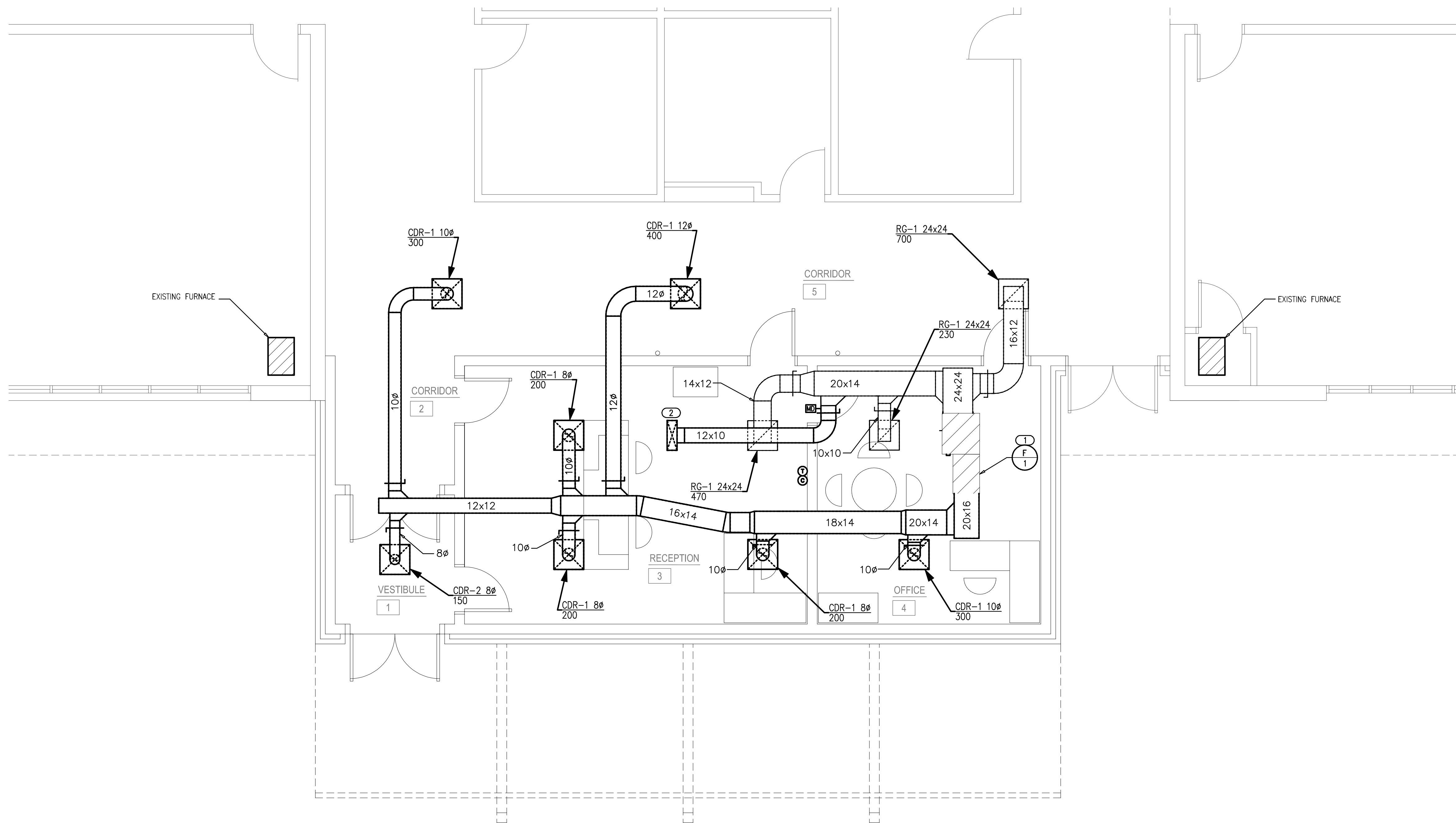
GENERAL NOTES

1. FIELD VERIFY EXISTING CONDITIONS PRIOR TO COMMENCING WORK.
2. COORDINATE INSTALLATION OF EQUIPMENT AND DUCTWORK WITH ALL TRADES.
3. COORDINATE LOCATION OF THERMOSTATS WITH E.C. ROUGH-IN BY E.C.
4. COORDINATE CARBON DIOXIDE SENSOR LOCATION WITH EARTHSMART PRIOR TO INSTALLATION.
5. PROVIDE PIPE SLEEVES FOR ALL PIPE PENETRATIONS OF CONCRETE FLOORS, BELOW GRADE WALLS AND BEAMS.
6. FIELD VERIFY LOCATION OF EXISTING WATER, NATURAL GAS, SANITARY SEWER AND STORM SEWER LINES PRIOR TO CONSTRUCTION.



KEYED NOTES

- 1 ROUTE CONDENSATE INTO NEAREST EXISTING BUILDING FURNACE CLOSET. TIE INTO EXISTING CONDENSATE LINE.
- 2 DUCT UP 8X24 INTO ROOF HOOD.



RK

drawn by

DMG

checked by

APRIL 2023

date

revisions

MOORE PUBLIC SCHOOLS
BOARD OF EDUCATION
MOORE, OKLAHOMA



OFFICE
ADDITION -
SOUTHGATE
ELEMENTARY SCHOOL

sheet no:

M101

1 MECHANICAL DUCTWORK PLAN

SCALE: 1/4" = 1'-0"



2600 Van Buren St., Suite 2635
Norman, OK 73072
Salas O'Brien Registration: CA# 7058
Expiration Date: 6/30/2023
Salas O'Brien Project Number: 2023-01140-00

OWNERSHIP USE OF DOCUMENTS:
AGP EXPRESSLY RESERVES ITS
COPYRIGHT AND OTHER PROPERTY
RIGHTS OF ALL PLANS AND DRAWINGS
DESIGNED AND/OR PRODUCED. PLANS
AND DRAWINGS ARE NOT TO BE
REPRODUCED IN ANY FORM OR MANNER
WITHOUT THE EXPRESSED WRITTEN
CONSENT OF AGP.

| GENERAL NOTES | |
|---------------|--|
| 1. | ALL ROOF TOP EQUIPMENT TO BE LOCATED A MINIMUM 10'-0" AWAY FROM ROOF EDGE. |
| 2. | MAINTAIN A MINIMUM OF 10'-0" HORIZONTAL CLEARANCE BETWEEN ALL EXHAUST OUTLETS AND ANY FRESH AIR INTAKES. |
| 3. | ALL ROOF SUPPORT SYSTEMS ARE TO BE MANUFACTURED FOR THE ROOF MATERIAL/SYSTEM TO BE INSTALLED. REFER TO ARCHITECTURAL PLANS FOR THE ROOF SYSTEM, CURB INSTALLATION TO BE WARRANTED BY ROOFING CONTRACTOR. |

KFC ENGINEERING
STRUCTURAL

SALAS O'BRIEN
MECHANICAL / ELECTRICAL



RK

drawn by

DMG

checked by

APRIL 2023

date

revisions

MOORE PUBLIC SCHOOLS
BOARD OF EDUCATION
MOORE, OKLAHOMA



OFFICE
ADDITION -
SOUTHGATE
ELEMENTARY SCHOOL

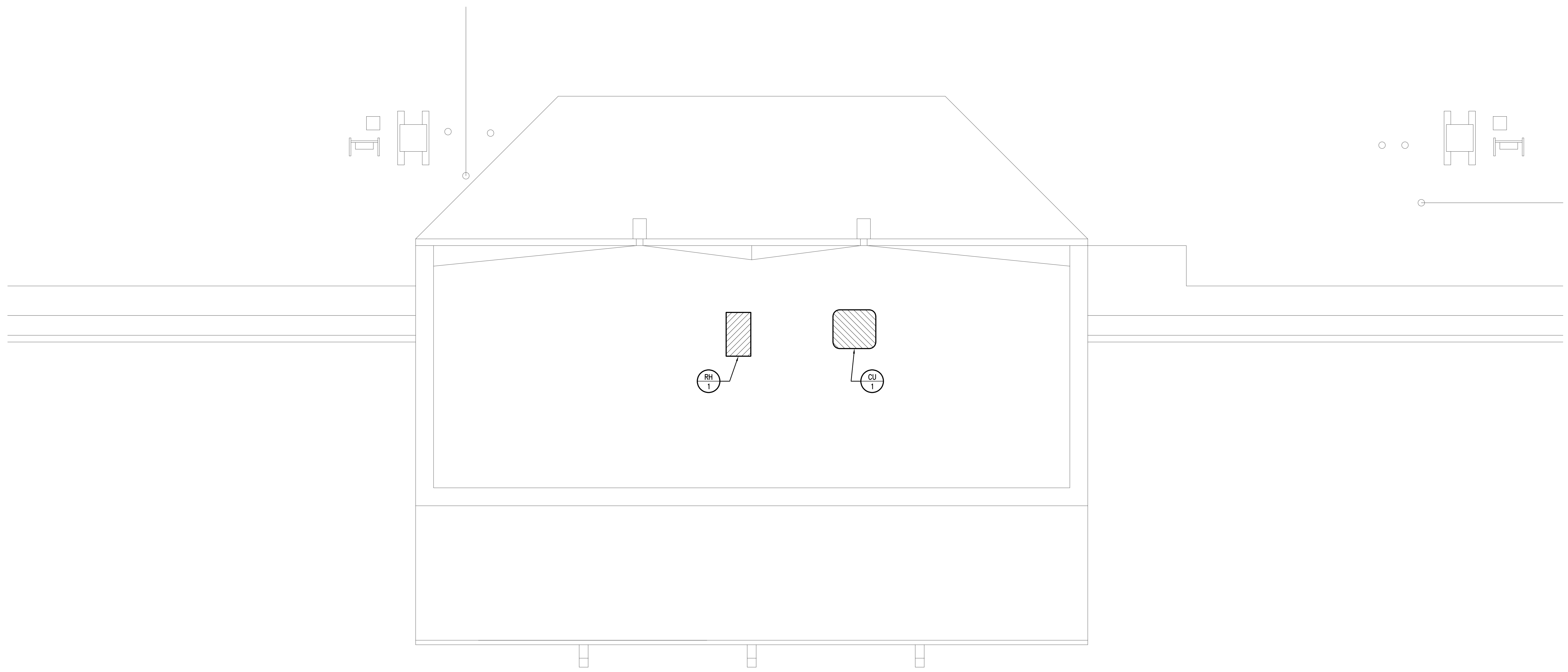
sheet no:

M201



2600 Van Buren St., Suite 2635
Norman, OK 73072
Salas O'Brien Registration: CA# 7058
Expiration Date: 6/30/2023
Salas O'Brien Project Number: 2023-01140-00

OWNERSHIP USE OF DOCUMENTS:
AGP EXPRESSLY RESERVES ITS
COPYRIGHT AND OTHER PROPERTY
RIGHTS OF ALL PLANS AND DRAWINGS
DESIGNED AND/OR PRODUCED. PLANS
AND DRAWINGS ARE NOT TO BE
REPRODUCED IN ANY FORM OR MANNER
WITHOUT THE EXPRESSED WRITTEN
CONSENT OF AGP.



1 MECHANICAL ROOF PLAN

SCALE: 1/4" = 1'-0"





| | |
|------------|------------|
| RK | drawn by |
| DMG | checked by |
| APRIL 2023 | date |
| | revisions |

MOORE PUBLIC SCHOOLS
BOARD OF EDUCATION
MOORE, OKLAHOMA



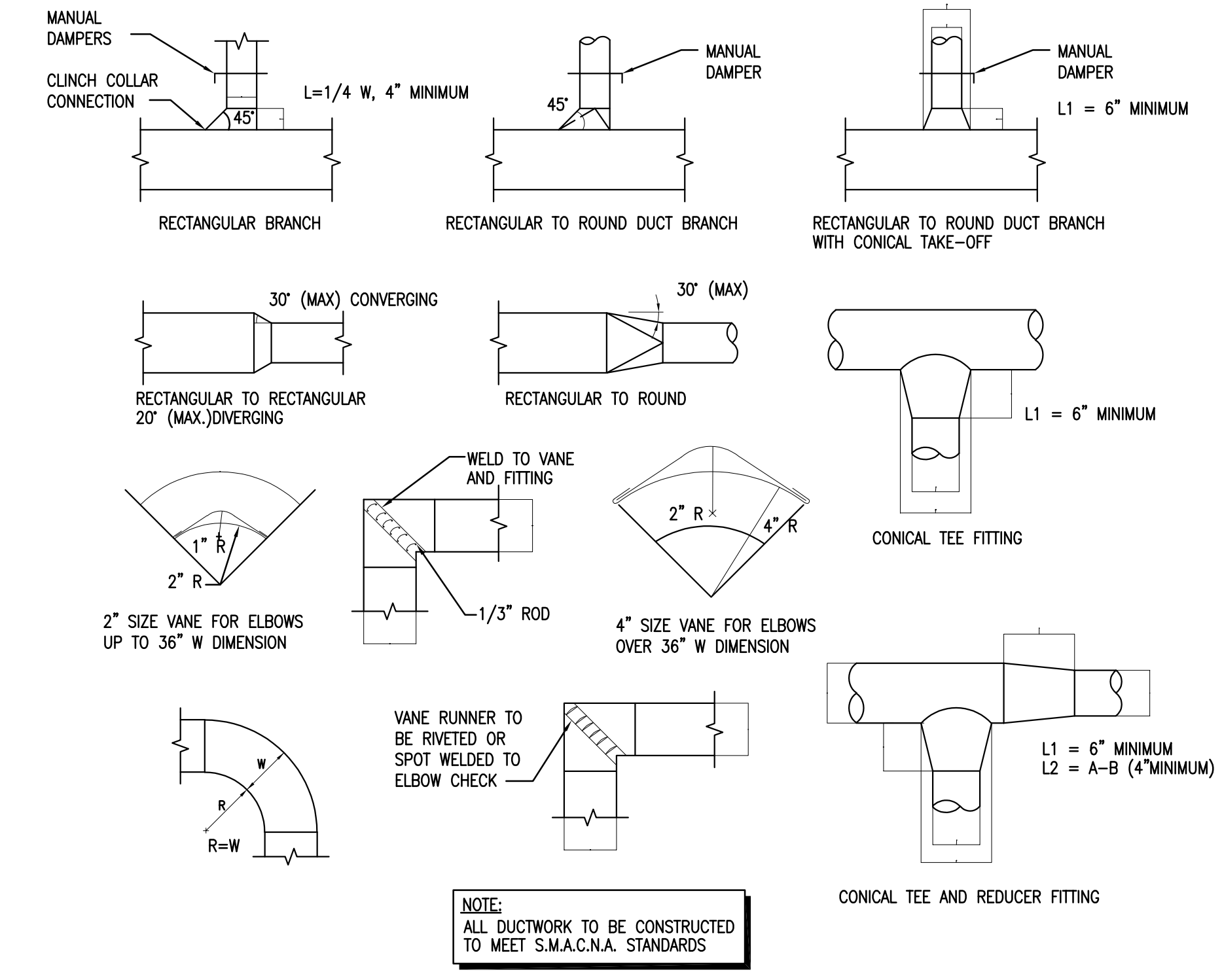
OFFICE
ADDITION -
SOUTHGATE
ELEMENTARY SCHOOL

sheet no:

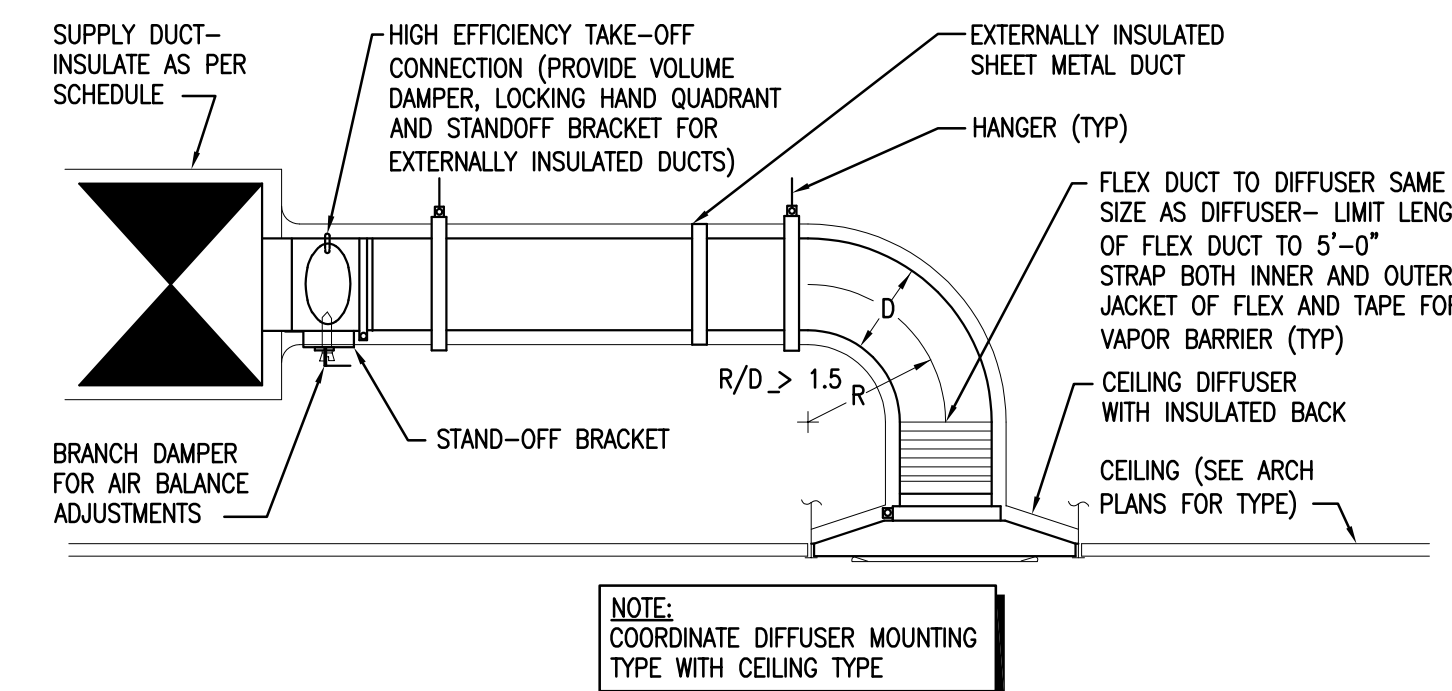
M501

OWNERSHIP USE OF DOCUMENTS:
AGP EXPRESSLY RESERVES ITS
COPYRIGHT AND OTHER PROPERTY
RIGHTS OF ALL PLANS AND DRAWINGS
DESIGNED AND/OR PRODUCED. PLANS
AND DRAWINGS ARE NOT TO BE
REPRODUCED IN ANY FORM OR MANNER
WITHOUT THE EXPRESSED WRITTEN
CONSENT OF AGP.

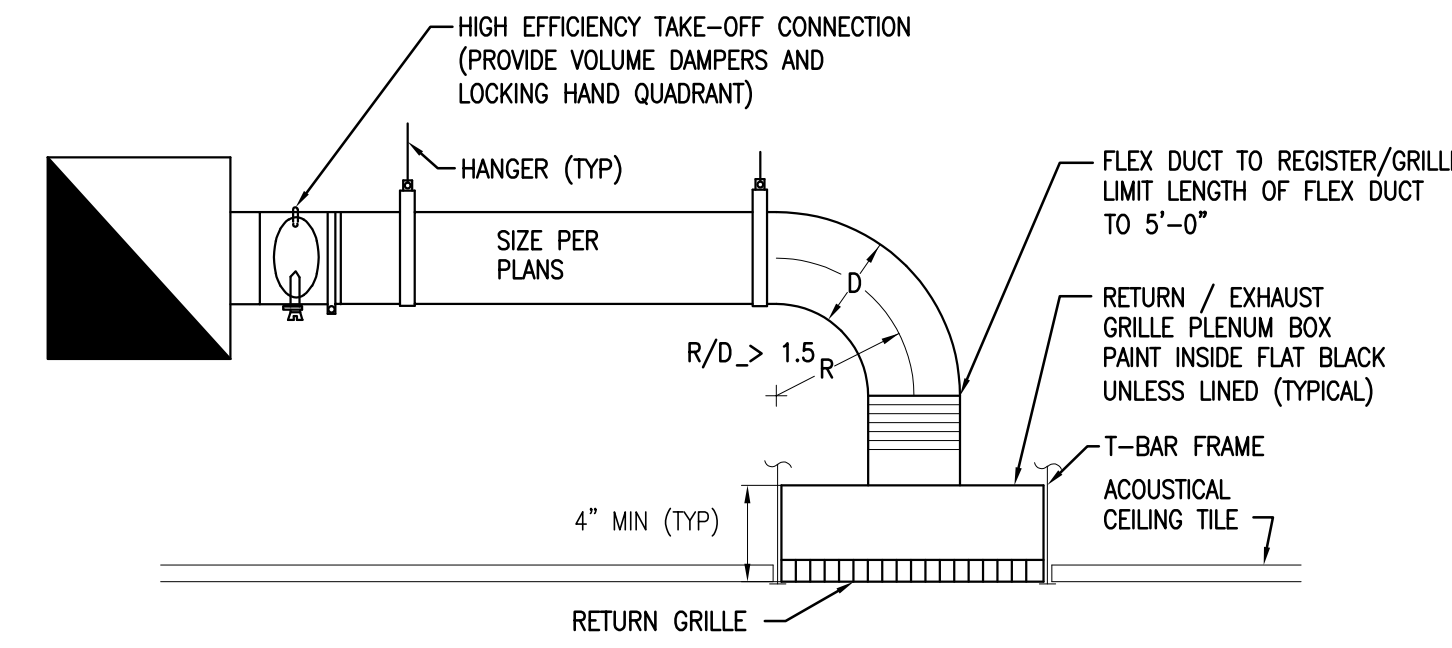
Salas O'Brien
2600 Van Buren St., Suite 2635
Norman, OK 73072
Salas O'Brien Registration: CA# 7058
Expiration Date: 6/30/2023
Salas O'Brien Project Number: 2023-01140-00



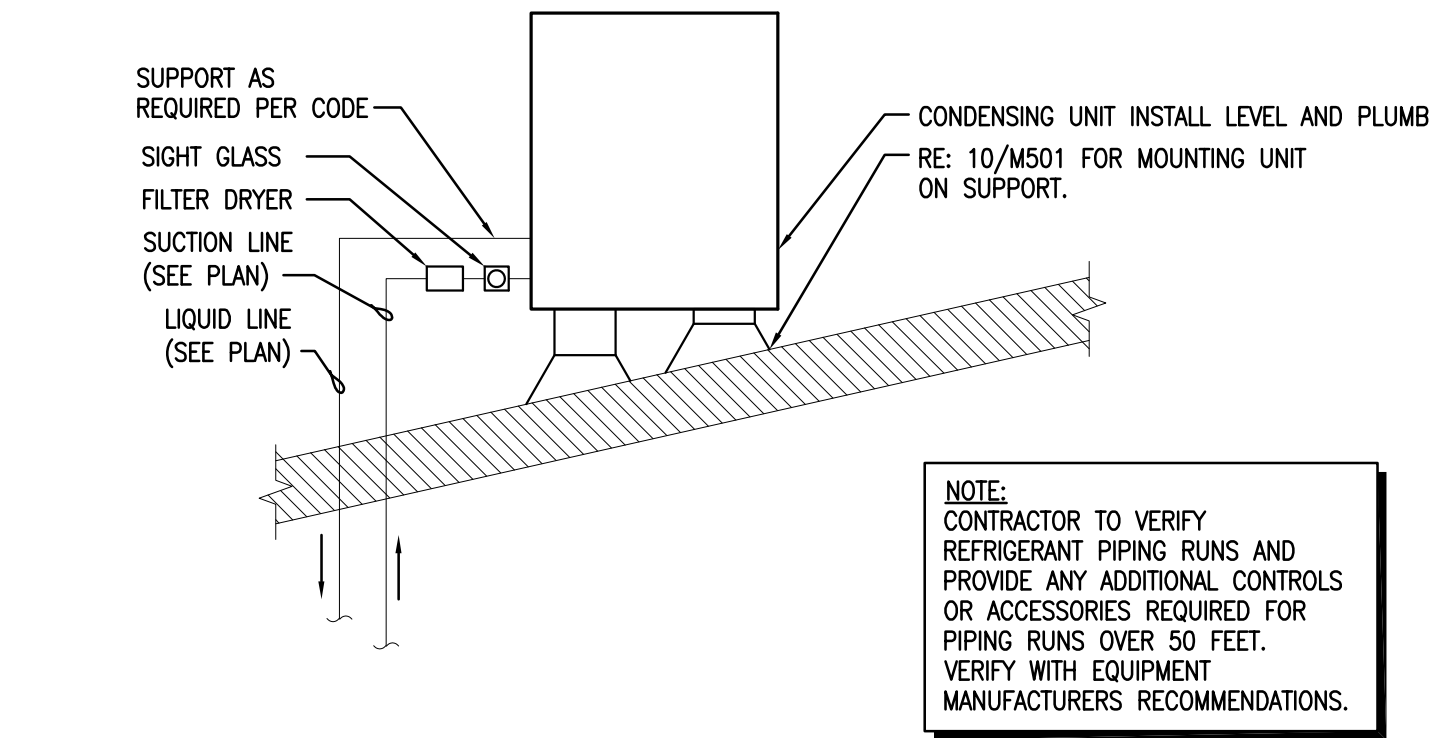
1 TYPICAL DUCTWORK DETAILS
NOT TO SCALE



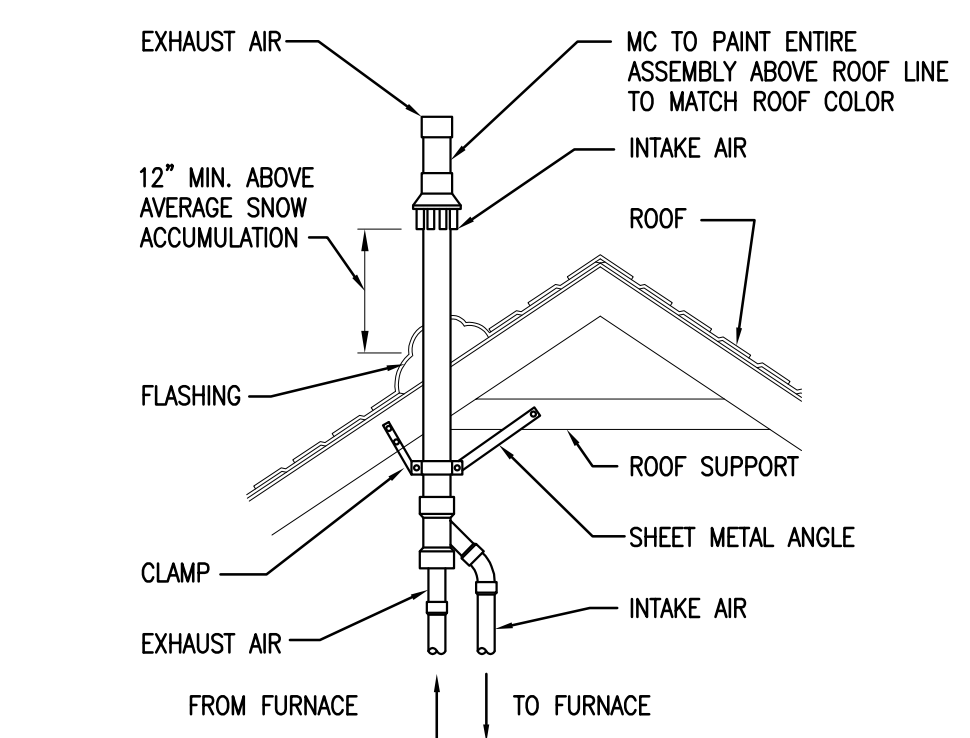
2 CEILING DIFFUSER DETAIL
NOT TO SCALE



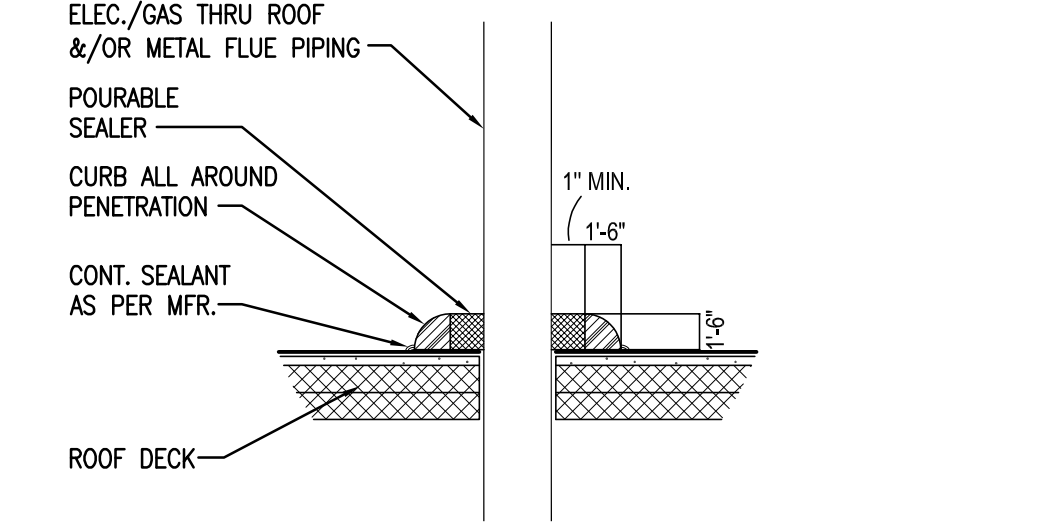
4 RETURN / EXHAUST AIR GRILLE PLENUM BOX
NOT TO SCALE



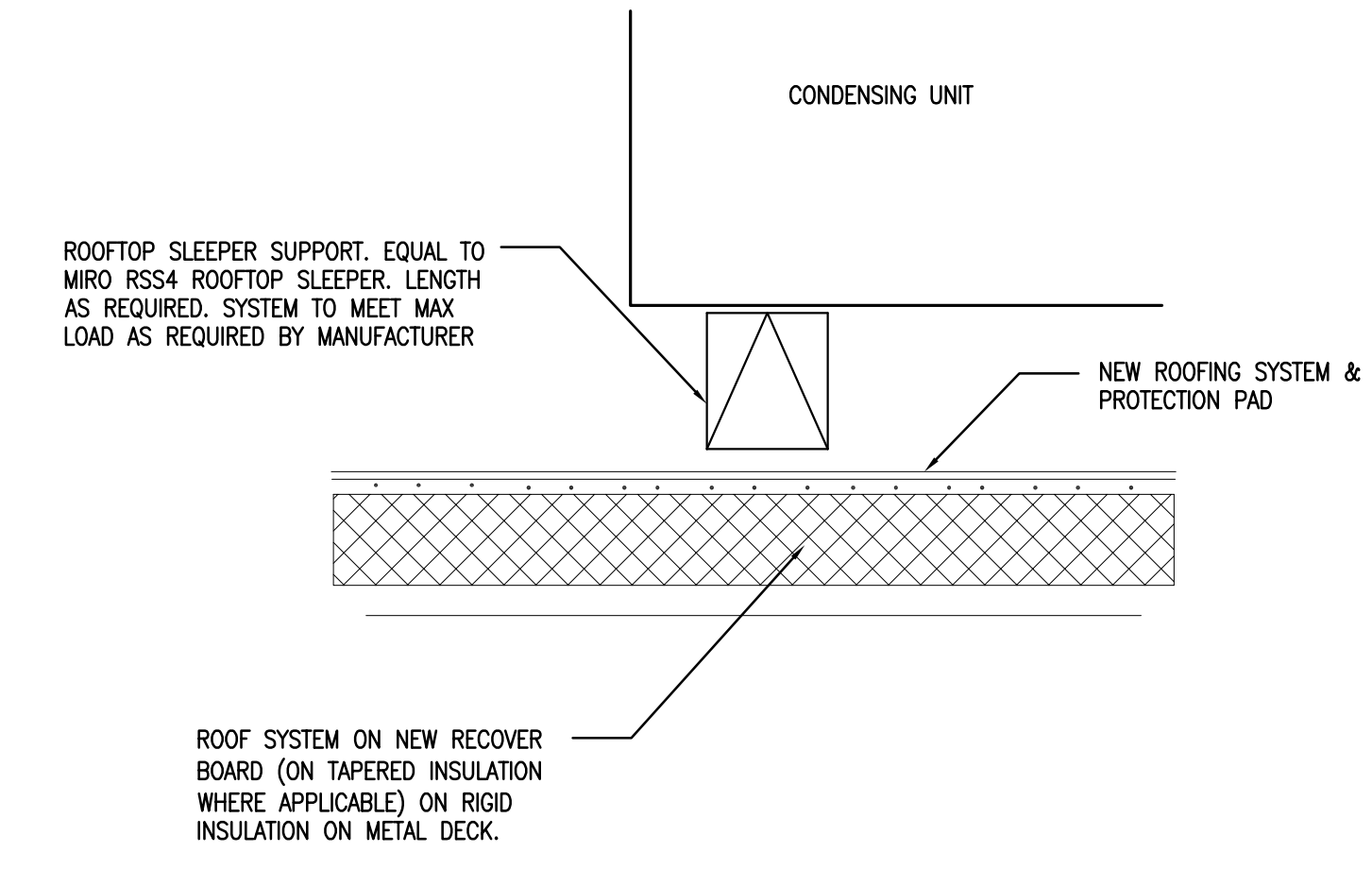
5 CONDENSING UNIT MOUNTING DETAIL
NOT TO SCALE



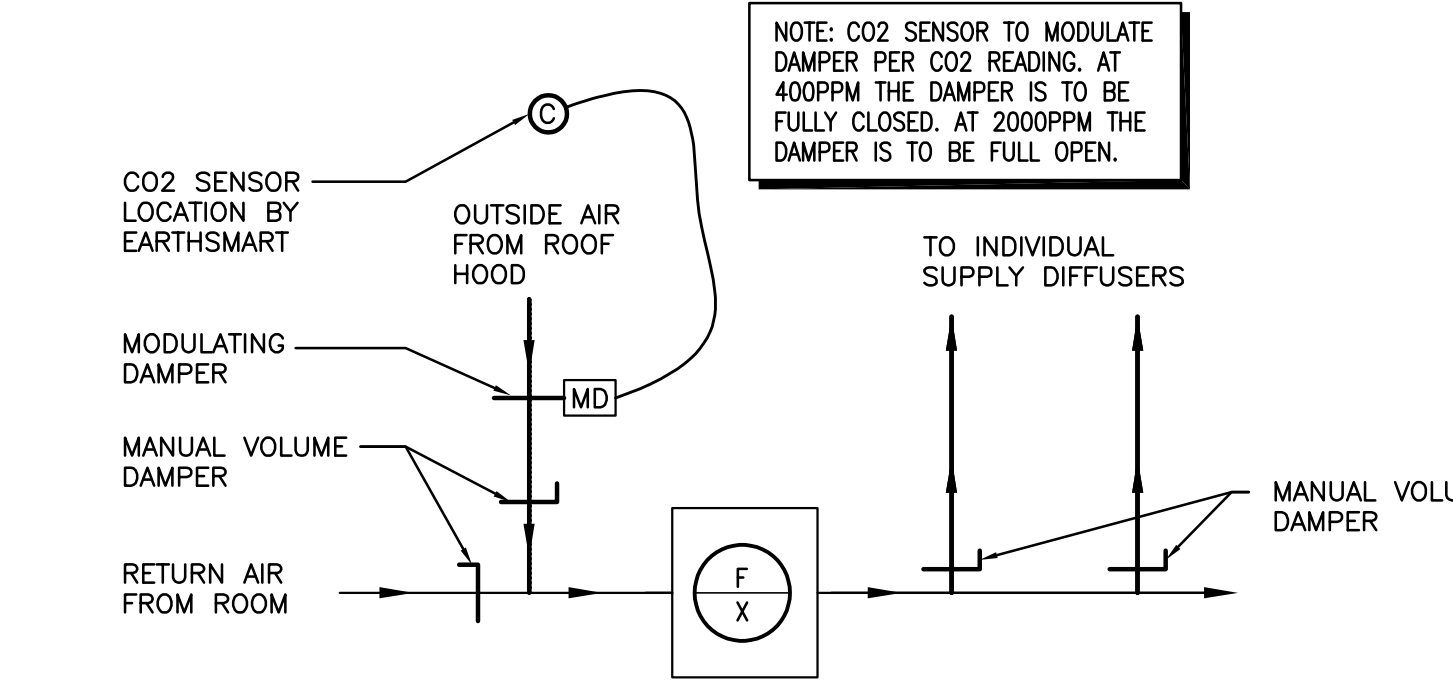
6 VENT TERMINATION DETAIL
NOT TO SCALE



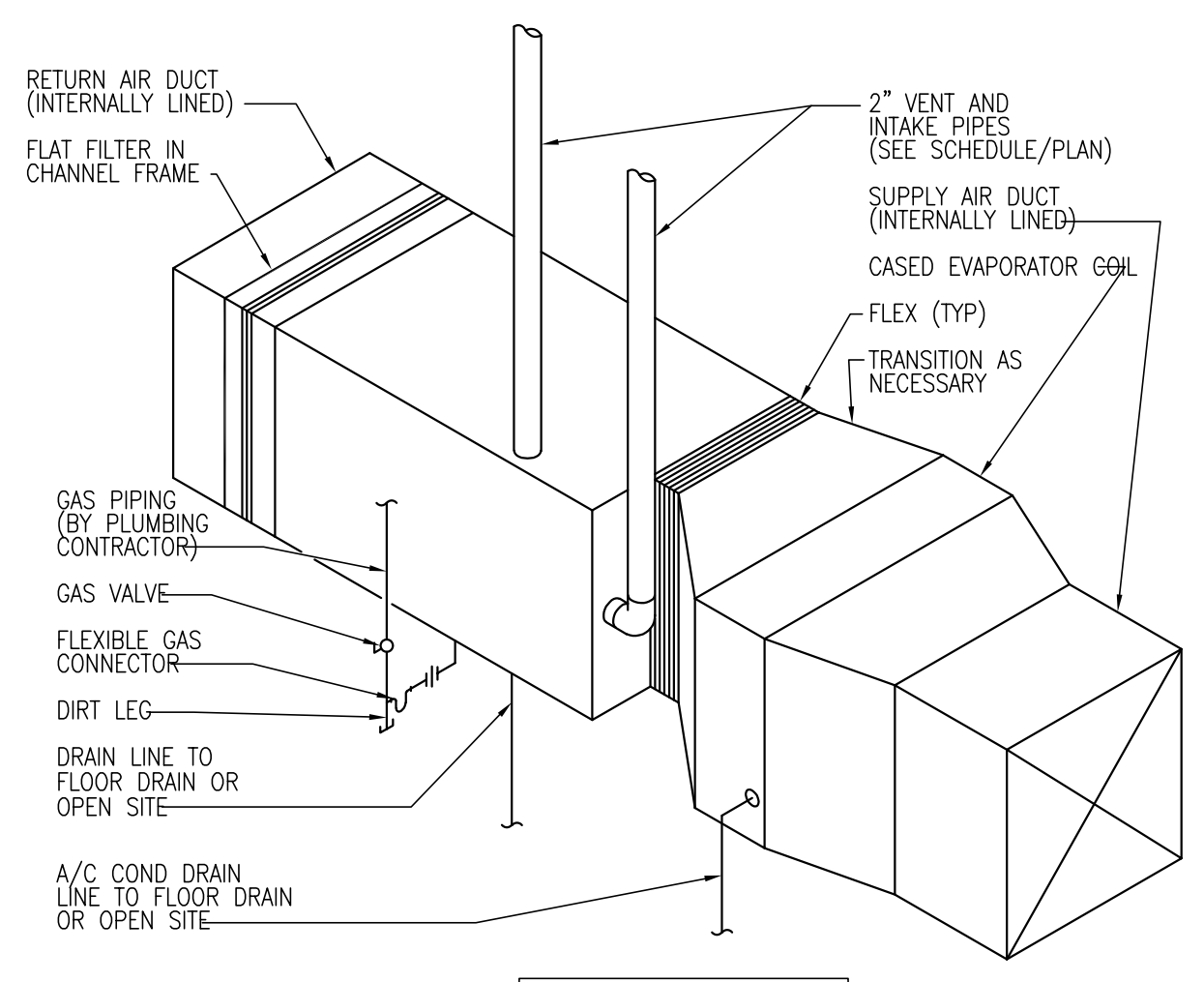
7 PENETRATION DAM/ SEALER POCKET DETAIL
NOT TO SCALE



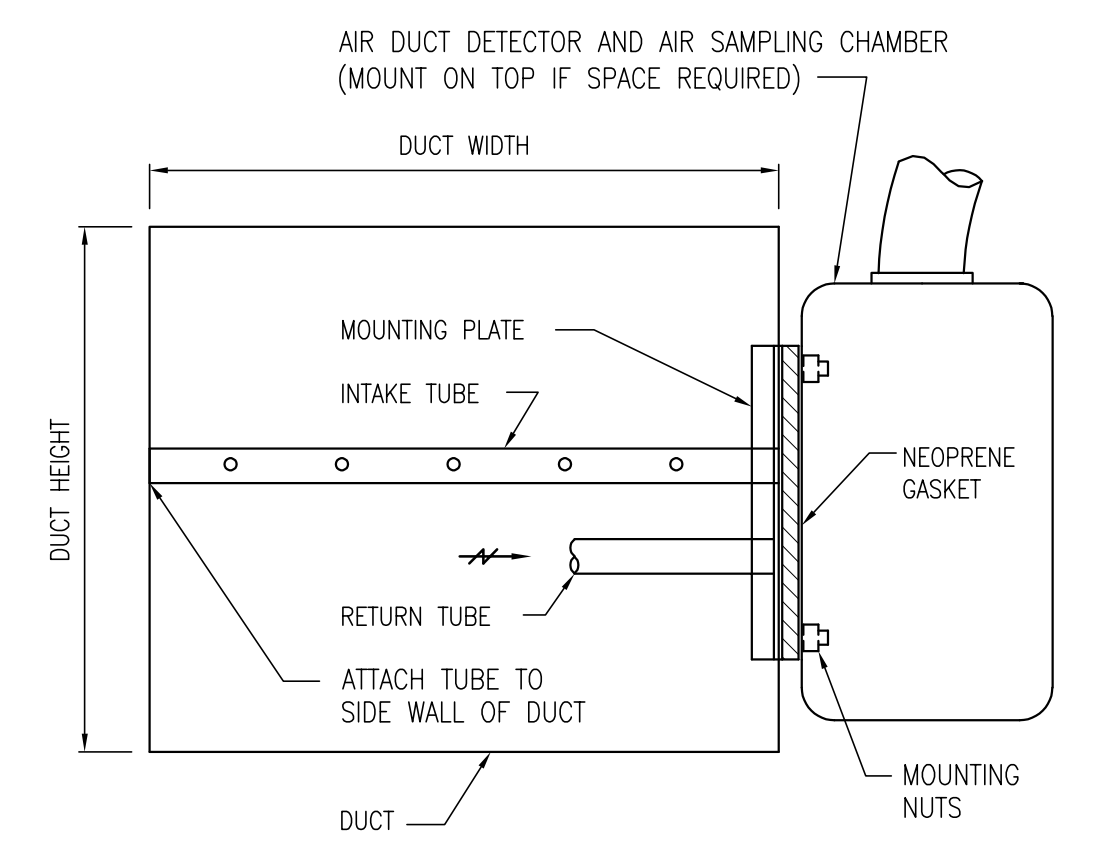
9 CONDENSING UNIT ROOF SUPPORT
NOT TO SCALE



8 TYPICAL FURNACE AIR BALANCING SCHEMATIC
NOT TO SCALE



3 HORIZONTAL GAS FURNACE DETAIL
NOT TO SCALE



- NOTES:**
1. SMOKE DETECTOR FURNISHED AND WIRED BY ELECTRICAL CONTRACTOR, AND MOUNTED BY MECHANICAL CONTRACTOR.
 2. INSTALL IN STRICT ACCORDANCE WITH MANUFACTURER'S INSTALLATION INSTRUCTIONS.
 3. PROVIDE ACCESS DOOR AT SAMPLING TUBES.
 4. THE TUBE SHALL BE INSTALLED PARALLEL TO LONG DIMENSION OF DUCT.
 5. PRODUCT SHALL BE UL268A LISTED FOR DUCT MOUNTED SMOKE DETECTORS, OR UL268A FOR ALL OTHER SMOKE DETECTOR TYPES.
 6. EC SHALL TEST ACCORDING TO UL AND CODES IN THE PRESENCE OF CODE AUTHORITY.

10 SMOKE DETECTOR MOUNTING DETAIL
NOT TO SCALE

| GAS FURNACE SCHEDULE - BASE DESIGN | | | | | | | | | | | | | | | | |
|------------------------------------|-------|-----------|------------|-----|-----------|-----------|-----------------|--------|--------|------|-------------|-------|------|--------------------|--------------------------|-------|
| F # | TYPE | INPUT MBH | OUTPUT MBH | CFM | MIN. F.A. | EXT. S.P. | HEAT EXCH. MTL. | BLOWER | | | | PILOT | VENT | FILTER MERV 8 MIN. | MANUFACTURER & MODEL NO. | NOTES |
| | | | | | | | | SIZE | DRIVE | H.P. | ELEC. CHAR. | | | | | |
| 1 | HORIZ | 120 | 115 | - | 350 | 0.6 | ALUMINIZED STL | 11X11 | DIRECT | 1 | 120/1 | HOT S | 3" | 2" TA | YORK TM9V120D20MP12C | 1-4 |

NOTES: M.C. IS RESPONSIBLE FOR PROVIDING ANY AND ALL NECESSARY DIMENSION, ELECTRICAL, MECHANICAL, AND STRUCTURAL ALTERATIONS NECESSITATED BY PROVIDING ALTERNATE EQUIPMENT.

- PROVIDE CONCENTRIC VENT. INSTALL PER MANUFACTURER INSTRUCTIONS. MAINTAIN MINIMUM CLEARANCES: 36" BETWEEN VENTS, 10'-0" FROM ANY FRESH AIR INTAKE.
- PROVIDE CO₂ SENSOR, INSTALLATION BY CONTROLS CONTRACTOR. INTERLOCK CO₂ SENSOR WITH MOTORIZED DAMPER IN OUTSIDE AIR DUCT.
- PROVIDE FURNACE WITH 2 STAGE HEATING.
- DUCT SMOKE DETECTOR AND REMOTE TEST STATION PROVIDED BY AND INSTALLED BY E.C. REMOTE TEST STATION TO BE LOCATED IN OCCUPIED SPACE AND CONNECTION TO FIRE ALARM SYSTEM BY E.C. COORDINATE WITH E.C.

| CONDENSING UNIT SCHEDULE - BASE DESIGN | | | | | | | | | | | | | | |
|--|-----------------|------------|------|------|---------|--------------|--------------------------|-----------------|----------|--------------|----------------------|-----|--------------------------|-------|
| CU # | CONDENSING UNIT | | | | | | | EVAPORATOR UNIT | | | | | | NOTES |
| | NOMINAL TONNAGE | ELEC. CHAR | MCA | MOCF | S.E.E.R | WEIGHT (LBS) | MANUFACTURER & MODEL NO. | CFM | MAX S.P. | BLOWER MOTOR | ELEC. CHAR | MCA | MANUFACTURER & MODEL NO. | |
| 1 | 5 | 240/1 | 31.4 | 50 | 19 | 295 | YORK YXT60B21S | - | 0.3 | - | SEE FURNACE SCHEDULE | - | YORK XAFD60JBCN1 | 1-7 |

NOTES: M.C. IS RESPONSIBLE FOR PROVIDING ANY AND ALL NECESSARY DIMENSIONAL, ELECTRICAL, MECHANICAL, AND STRUCTURAL ALTERATIONS NECESSITATED BY PROVIDING ALTERNATE EQUIPMENT.

- E.C. TO PROVIDE AND INSTALL POWER DISCONNECT FOR UNIT. COORDINATE WITH M.C.
- M.C. TO INCLUDE PRE-CHARGED LINE KIT. INSULATE SUCTION LINE.
- TWO STAGE COOLING.
- FOR LINE LENGTH EXCEEDING 50', M.C. MUST PROVIDE FACTORY DESIGNED AND FACTORY OR FIELD FABRICATED REFRIGERANT PIPING.
- MOUNT UNITS ON CONDENSING UNIT SUPPORTS RE: 10/MS01 FOR MORE INFORMATION.
- INSULATE SUCTION LINE WITH 5/8" AP ARMAFLEX INSULATION OR EQUAL. SEAL ALL JOINTS WATER TIGHT TO PREVENT CONDENSATE IN THE CEILING.
- PROVIDE UNIT WITH HAIL GUARD.

| GRILLE, REGISTER, AND DIFFUSER SCHEDULE | | | | | |
|---|--|--------------------------|----------|--------|----------------|
| PLAN SYMBOL | DESCRIPTION | MANUFACTURER & MODEL NO. | MATERIAL | FINISH | NOISE CRITERIA |
| CDR-1 | SQUARE FACE, ROUND NECK, 4-WAY DEFLECTION CEILING DIFFUSER, SPRING LOCK INNER CORE, FOR LAY-IN CEILING INSTALLATION. | PRICE SCD (4C) | STEEL | WHITE | - |
| CDR-2 | SQUARE FACE, ROUND NECK, 4-WAY DEFLECTION CEILING DIFFUSER, SPRING LOCK INNER CORE, FOR SURFACE MOUNT INSTALLATION. | PRICE SCD (4C) | STEEL | WHITE | - |
| RG-1 | SQUARE PATTERN GRILLE, FIXED CORE OF 1/2"x1/2"x1/2" FABRICATED ALUMINUM SQUARES, FLAT FRAME WITH 1 1/4" MARGIN, FOR LAY-IN CEILING INSTALLATION. | PRICE 80 | ALUMINUM | WHITE | - |
| EG-1 | SQUARE PATTERN GRILLE, FIXED CORE OF 1/2"x1/2"x1/2" FABRICATED ALUMINUM SQUARES, FLAT FRAME WITH 1 1/4" MARGIN, FOR SURFACE MOUNT INSTALLATION. | PRICE 80 | ALUMINUM | WHITE | - |

NOTES: SEE PLANS FOR QUANTITY AND SIZES.
M.C. TO FIELD VERIFY CEILING TYPE FOR ALL GRD BEFORE PURCHASING EQUIPMENT. PROVIDE REQUIRED MOUNTING.

| DUCTWORK/INSULATION SCHEDULE | | | | | | | | | | | | |
|-------------------------------|--------------|------|---|------------|-----------|-------------|-----------|------------|--------------------|--------------------|--------------------|--------|
| SYSTEM | LOW PRESSURE | | | MED. PRESS | | HIGH PRESS. | | INSULATION | | | | NOTES |
| | MAX. PRES. | SEAL | | | MAX PRES. | SEAL A | MAX PRES. | SEAL A | INTERNAL THICKNESS | EXTERNAL THICKNESS | EXTERNAL THICKNESS | |
| SUPPLY AIR WITHIN 10' OF UNIT | 2" | X | - | - | - | - | - | - | YES | 1" | NO | - |
| SUPPLY AIR BEYOND 10' OF UNIT | 2" | X | - | - | - | - | - | - | NO | - | YES | 2" FSK |
| RETURN AIR WITHIN 10' OF UNIT | 2" | - | X | - | - | - | - | - | YES | 1" | NO | - |
| RETURN AIR BEYOND 10' OF UNIT | 2" | - | X | - | - | - | - | - | NO | - | YES | 2" FSK |
| OUTSIDE AIR/MIXED AIR | 2" | - | X | - | - | - | - | - | NO | - | YES | 3" FSK |
| EXHAUST AIR | 2" | - | X | - | - | - | - | - | NO | - | YES | 2" FSK |

NOTES:

| ROOF HOOD SCHEDULE - BASE DESIGN | | | | | | | |
|----------------------------------|----------------------------|--------------------------------|--------------------|--------------|--------------------------|--------------------|-------|
| RH # | THROAT SIZE DIMENSION (IN) | THROAT AREA (FT ²) | DAMPER, BOD OR MOD | CONSTRUCTION | MANUFACTURER & MODEL NO. | COMMENTS | NOTES |
| 3 | 8X24 | 1.33 | MOD | ALUMINUM | GREENHECK FGI | COLOR BY ARCHITECT | 1-3 |

NOTES: M.C. IS RESPONSIBLE FOR PROVIDING ANY AND ALL NECESSARY DIMENSIONAL, ELECTRICAL, MECHANICAL, AND STRUCTURAL ALTERATIONS NECESSITATED BY PROVIDING ALTERNATE EQUIPMENT.

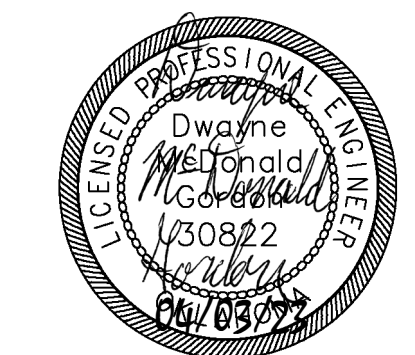
- M.C. TO PROVIDE ROOF HOOD WITH ALUMINUM BIRDSCREEN.
- M.C. SHALL PROVIDE ROOF CURB. CURB INSTALLATION BY G.C.
- M.C. SHALL PROVIDE LOW VOLTAGE MOTORIZED DAMPER.

KFC ENGINEERING

STRUCTURAL

SALAS O'BRIEN

MECHANICAL / ELECTRICAL



RK

drawn by

DMG

checked by

APRIL 2023

date

revisions

MOORE PUBLIC SCHOOLS
BOARD OF EDUCATION
MOORE, OKLAHOMA



OFFICE
ADDITION -
SOUTHGATE
ELEMENTARY SCHOOL

sheet no:

M601



2600 Van Buren St., Suite 2635
Norman, OK 73072
Salas O'Brien Registration: CA# 7058
Expiration Date: 6/30/2023
Salas O'Brien Project Number: 2023-01140-00

OWNERSHIP USE OF DOCUMENTS:
AGP EXPRESSLY RESERVES ITS
COPYRIGHT AND OTHER PROPERTY
RIGHTS OF ALL PLANS AND DRAWINGS
DESIGNED AND/OR PRODUCED. PLANS
AND DRAWINGS ARE NOT TO BE
REPRODUCED IN ANY FORM OR MANNER
WITHOUT THE EXPRESSED WRITTEN
CONSENT OF AGP.



1. GENERAL INFORMATION

A. GOVERNING BUILDING CODE: 2015 INTERNATIONAL BUILDING CODE (IBC-2015).

B. BUILDING RISK CATEGORY: THE BUILDING RISK CATEGORY ACCORDING TO IBC-2015 TABLE 1604.5 AND ASCE 7-10 TABLE 1.5-1 IS CATEGORY II.

C. ELEVATIONS: REFERENCE FINISHED FLOOR ELEVATION OF 100'-0" TO MATCH THE ACTUAL EXISTING FINISH FLOOR ELEVATION.

D. CONTRACT DOCUMENTS:

- THE CONTRACT DOCUMENTS CONSIST OF THE AGREEMENT BETWEEN THE OWNER AND CONTRACTOR, CONDITIONS OF THE CONTRACT, DRAWINGS, SPECIFICATIONS, ADDENDA ISSUED PRIOR TO EXECUTION OF THE CONTRACT, OTHER DOCUMENTS LISTED IN THE AGREEMENT AND MODIFICATIONS ISSUED AFTER EXECUTION OF THE CONTRACT.
- THE GENERAL CONTRACTOR IS RESPONSIBLE FOR OBTAINING AND DISSEMINATING ALL CONTRACT DOCUMENTS AND LATEST ADDENDA TO ALL SUB-CONTRACTORS PRIOR TO DETAILING, FABRICATION OR INSTALLATION OF WORK.
- CORRELATION OF THE CONTRACT DOCUMENTS: THE CONTRACT DOCUMENTS ARE COMPLEMENTARY, AND WHAT IS REQUIRED BY ONE SHALL BE AS BINDING AS IF REQUIRED BY ALL. IF CONFLICTING REQUIREMENTS ARE FOUND BETWEEN THE DRAWINGS, SPECIFICATIONS AND/OR THESE GENERAL NOTES, THE MORE STRINGENT AND HIGHEST COST REQUIREMENT SHALL CONTROL UNLESS DIRECTED OTHERWISE IN WRITING BY THE OWNER'S REPRESENTATIVE.
- THE GENERAL CONTRACTOR SHALL COMPARE THE ARCHITECTURAL AND STRUCTURAL DRAWINGS FOR DISCREPANCIES BETWEEN EACH SET, AND WITHIN EACH SET OF DRAWINGS, AND REPORT DISCREPANCIES, IF ANY, TO THE OWNER'S REPRESENTATIVE PRIOR TO THE DETAILING, FABRICATION AND INSTALLATION OF AFFECTED WORK.
- GENERAL CONTRACTOR SHALL COORDINATE SIZES AND LOCATIONS OF OPENINGS THROUGH FLOORS, ROOF, AND WALLS SHOWN ON ELECTRICAL, PLUMBING, AND FIRE SUPPRESSION SYSTEM DESIGN DOCUMENTS WITH ASSOCIATED SUBCONTRACTORS.
- ALTHOUGH NOT NECESSARILY SPECIFICALLY REFERENCED IN THE CONTRACT DOCUMENTS, TYPICAL DETAILS AND GENERAL NOTES APPLY TO THE ENTIRE PROJECT WHEREVER CONDITIONS SIMILAR TO THOSE DETAILED OR NOTED EXIST.
- THE USE OF ELECTRONIC FILES OR REPRODUCTION OF CONTRACT DOCUMENTS BY ANY TRADE OR MATERIAL SUPPLIER IN LIEU OF COMPLETELY INDEPENDENT PREPARATION OF SHOP DRAWINGS SIGNIFIES THE SUPPLIER'S CERTIFICATION THAT ALL INFORMATION SHOWN IN THE SHOP DRAWINGS IS CORRECT, AND ASSIGNS THEMSELVES TO RESPONSIBILITY FOR ANY JOB EXPENSE ARISING DUE TO ANY ERRORS OCCURRING THEREIN.

2. DESIGN LOADS

A. DEAD LOAD: SELF WEIGHT OF MATERIALS, UNLESS NOTED OTHERWISE

| | |
|--|--------|
| B. ROOF DEAD LOAD: | |
| 1) BUILT UP ROOFING SYSTEM | 6 PSF |
| 2) RIGID INSULATION | 2 PSF |
| 3) METAL ROOF DECK | 3 PSF |
| 4) JOIST SELF-WEIGHT | 2 PSF |
| 5) CEILING SYSTEM | 2 PSF |
| 6) ROOF COLLATERAL (MEP, BRIDGING & MISC. FRAMING) | 5 PSF |
| 7) TOTAL | 20 PSF |

C. UNIFORM LIVE LOADS:

| | |
|---------------------------------|--------|
| 1) ROOF LIVE LOAD (UNREDUCIBLE) | 20 PSF |
|---------------------------------|--------|

D. CONCENTRATED LIVE LOADS:

| | |
|---|---------|
| 1) ROOFS (ON AN AREA 2.5 FT. X 2.5 FT.) | 300 LBS |
|---|---------|

E. WIND LOADS:

| | |
|--|-----------|
| 1) GOVERNING CODE | ASCE 7-10 |
| 2) RISK CATEGORY | II |
| 3) EXPOSURE CATEGORY | C |
| 4) INTERNAL PRESSURE COEFFICIENT, GCPI | +/- 0.18 |
| 5) TOPOGRAPHIC FACTOR, KZT | 1.0 |
| 6) DIRECTIONALITY FACTOR, KD | 0.85 |
| 7) ULTIMATE DESIGN WIND SPEED, Vu1t | 115 MPH |
| 8) NOMINAL DESIGN WIND SPEED, Vasd | 90 MPH |

F. SNOW LOADS:

| | |
|---------------------------------------|-------------------|
| 1) GOVERNING CODE | ASCE 7-10 |
| 2) SNOW IMPORTANCE FACTOR, Is | 1.0 |
| 3) GROUND SNOW LOAD, Pg | 10 PSF |
| 4) EXPOSURE OF ROOF | PARTIALLY EXPOSED |
| 5) EXPOSURE FACTOR, Ce | 1.0 |
| 6) THERMAL FACTOR, Ct | 1.0 |
| 7) ROOF SLOPE FACTOR, Cs | 1.0 |
| 8) CALCULATED FLAT ROOF SNOW LOAD, Pf | 7.0 PSF |
| 9) MINIMUM FLAT ROOF SNOW LOAD, I*Pg | 10 PSF |
| 10) RAIN ON SNOW SURCHARGE LOAD | 5 PSF |

G. RAIN LOADS:

- GOVERNING CODE: ASCE 7-10
- DEPTH OF WATER ON THE UNDEFLECTED ROOF UP TO THE INLET OF THE SECONDARY DRAINAGE SYSTEM WHEN THE PRIMARY DRAINAGE SYSTEM IS BLOCKED (I.E., THE STATIC HEAD), ds: 4.0 INCHES
- ADDITIONAL DEPTH OF WATER ON THE UNDEFLECTED ROOF ABOVE THE INLET OF THE SECONDARY DRAINAGE SYSTEM AT ITS DESIGN FLOW (I.E., THE HYDRAULIC HEAD), dh: 2.0 INCHES

H. SEISMIC DESIGN CRITERIA:

| | |
|--|-----------|
| 1) GOVERNING CODE | ASCE 7-10 |
| 2) RISK CATEGORY | II |
| 3) SEISMIC IMPORTANCE FACTOR, Is | 1.00 |
| 4) SOIL SITE CLASSIFICATION | C |
| 5) 0.2 SEC. MAPPED SPECTRAL ACCELERATION, Ss | 0.344 |
| 6) 1.0 SEC. MAPPED SPECTRAL ACCELERATION, S1 | 0.076 |
| 7) SITE COEFFICIENT, 0.2 SEC. PERIOD, Fa | 1.20 |
| 8) SITE COEFFICIENT, 1.0 SEC. PERIOD, Fv | 1.70 |
| 9) 0.2 SEC. DESIGN SPECTRAL ACCELERATION, Sds | 0.275 |
| 10) 1.0 SEC. DESIGN SPECTRAL ACCELERATION, Sd1 | 0.086 |
| 11) SEISMIC DESIGN CATEGORY | B |
| 12) SEISMIC PARAMETERS FOR BUILDING: | |
| A) SEISMIC FORCE RESISTING SYSTEM: ORDINARY REINFORCED MASONRY SHEAR WALLS | |
| B) RESPONSE MODIFICATION COEFFICIENT, R | 2.00 |
| C) SYSTEM OVERSTRENGTH FACTOR, O | 2.50 |
| D) DEFLECTION AMPLIFICATION FACTOR, Cd | 1.75 |
| E) ANALYSIS PROCEDURE: EQUIVALENT LATERAL FORCE METHOD. | |
| F) SEISMIC RESPONSE COEFFICIENT, Cs | 0.172 |
| G) TOTAL LATERAL BASE SHEAR, V | 30 KIPS |

3. MATERIAL DESIGN VALUES

A. CONCRETE (MIN. ULTIMATE COMPRESSIVE STRENGTH AT 28 DAYS, NORMAL WEIGHT U.N.O.)

| | |
|--|-----------|
| 1) FOUNDATIONS | 3,500 PSI |
| 2) SLAB-ON-GRADE | 4,000 PSI |
| 3) ALL OTHER STRUCTURAL CONCRETE, U.N.O. | 4,000 PSI |

B. CONCRETE REINFORCEMENT (MINIMUM YIELD STRENGTH)

| | |
|--|-------------|
| 1) ALL PLAIN AND DEFORMED BARS (ASTM A615, GRADE 60) | FY = 60 KSI |
| 2) WELDABLE REINFORCING BARS (ASTM A706) | FY = 60 KSI |

C. STRUCTURAL STEEL (MINIMUM YIELD STRENGTH)

| | |
|--|-------------|
| 1) ALL WIDE FLANGE SHAPES (ASTM A992) | FY = 50 KSI |
| 2) SQUARE AND RECTANGULAR HSS (ASTM A500, GRADE C) | FY = 50 KSI |
| 3) ANCHOR RODS (ASTM F1554, GRADE 55) | FY = 55 KSI |
| 4) DEFORMED BAR ANCHORS (AWS D1.1 TYPE C, ASTM A496) | FY = 70 KSI |
| 5) HEADED STUD ANCHORS (AWS D1.1 TYPE B, ASTM A29, GRADES 1010 THROUGH 1020) | FY = 51 KSI |
| 6) ALL OTHER SHAPES AND PLATES UNLESS NOTED (ASTM A36) | FY = 36 KSI |

D. COLD FORMED STEEL (MINIMUM YIELD STRENGTH)

| | |
|---|-------------|
| 1) ROOF DECK (ASTM A653, S5 GRADE 33, G-60 GALVANIZED) | FY = 33 KSI |
| 2) COLD FORMED METAL STUDS, 43 MIL AND LIGHTER (ASTM A1003/A, GRADE ST33H, G-60 GALVANIZED) | FY = 33 KSI |
| 3) COLD FORMED METAL STUDS, 54 MIL AND HEAVIER (ASTM A1003/A, GRADE ST50H, G-60 GALVANIZED) | FY = 50 KSI |
| 4) COLD FORMED METAL CLIPS (ASTM A653, S5 GRADE 50, G-90 GALVANIZED) | FY = 50 KSI |

4. CONSTRUCTION LOADS AND STABILITY

- THE CONTRACTOR SHALL BE RESPONSIBLE FOR VERIFYING ALL TEMPORARY CONSTRUCTION LOADS CAN BE SAFELY SUPPORTED BY THE STRUCTURE DURING CONSTRUCTION.
- THE STRUCTURAL FRAMING SYSTEM AND FOUNDATIONS HAVE BEEN DESIGNED AS A COMPLETE STRUCTURAL SYSTEM FOR SUPPORT OF THE LOADS INDICATED IN THE CONSTRUCTION DOCUMENTS. THE STRUCTURE HAS NOT BEEN DESIGNED OR CHECKED FOR TEMPORARY CONSTRUCTION LOADS NOR HAS IT BEEN DESIGNED OR CHECKED FOR ADEQUACY OR STABILITY AS A PARTIALLY ERRECTED STRUCTURE.
- THE CONTRACTOR SHALL BE RESPONSIBLE FOR CONFIRMING THE ABILITY OF THE PARTIALLY COMPLETED OR FULLY COMPLETED STRUCTURE TO RESIST ALL CONSTRUCTION LOADS INCLUDING BUT ARE NOT NECESSARILY LIMITED TO MATERIAL STAGING, PERSONNEL, AND EQUIPMENT.
- THE CONTRACTOR SHALL PROVIDE TEMPORARY SHORES, GUYS, BRACES, AND OTHER SUPPORTS DURING CONSTRUCTION TO KEEP STRUCTURAL FRAMING COMPONENTS SECURE, PLUMB, AND IN ALIGNMENT AGAINST TEMPORARY CONSTRUCTION LOADS AND LOADS EQUAL IN INTENSITY TO DESIGN LOADS. THE TEMPORARY SUPPORTS SHALL BE SUFFICIENT TO SECURE THE PARTIALLY ERRECTED STRUCTURE OR ANY PORTION THEREOF AGAINST LOADS THAT ARE LIKELY TO BE ENCOUNTERED DURING CONSTRUCTION, INCLUDING THOSE DUE TO WIND AND THOSE THAT RESULT FROM CONSTRUCTION OPERATIONS.
- THE CONTRACTOR SHALL NOT REMOVE TEMPORARY SUPPORTS UNTIL THE INSTALLATION OF ALL STRUCTURAL ELEMENTS IS COMPLETE. FOR THE PURPOSES OF THIS PARAGRAPH, "ALL STRUCTURAL ELEMENTS" INCLUDES, BUT IS NOT NECESSARILY LIMITED TO, THE FOLLOWING STRUCTURAL ELEMENTS:
 - FOUNDATIONS
 - LOAD-BEARING MASONRY WALLS
 - MASONRY SHEAR WALLS
 - STEEL JOISTS INCLUDING JOIST BRIDGING
 - ROOF DECK

5. EXISTING CONSTRUCTION

- ALL DIMENSIONS, PLUMBNESS, AND DETAILS FOR THE EXISTING STRUCTURE SHALL BE VERIFIED IN THE FIELD PRIOR TO PROCEEDING WITH ANY DEMOLITION OR INSTALLATION OF NEW WORK.
- PRIOR TO DEMOLITION OR INSTALLATION OF NEW WORK, THE CONTRACTOR SHALL MAKE WRITTEN DOCUMENTATION IF UNFORESEEN CONDITIONS OCCUR IN THE EXISTING CONSTRUCTION. THESE UNFORESEEN CONDITIONS SHALL BE SUBMITTED TO THE OWNER'S REPRESENTATIVE FOR REVIEW AND A WRITTEN RESPONSE BEFORE PROCEEDING WITH THE WORK.
- THE CONTRACTOR SHALL PROVIDE AND INSTALL ALL SHORING, PROPS, AND GUYS REQUIRED FOR THE TEMPORARY SUPPORT OF THE EXISTING STRUCTURE, UTILITIES, ETC. AS MAY BE NECESSARY TO SAFELY COMPLETE DEMOLITION OR NEW WORK.
- THE CONTRACTOR SHALL BE RESPONSIBLE FOR LOCATING EXISTING UTILITIES, BOTH CHARTED AND UNCHARTED BEFORE COMMENCING WITH ANY EXCAVATION OR DEMOLITION WORK. DEPTH OF CONCRETE SAW SHALL BE SET SO AS NOT TO CUT ANY LOCAL EMBEDDED OR UNDER-FLOOR PIPING OR WIRING WHICH IS AS IS TO REMAIN.
- ALL DRILLING, CUTTING, DEMOLITION OR OTHER MODIFICATIONS TO EXISTING CONSTRUCTION SHALL BE PERFORMED IN A MANNER THAT WILL NOT REDUCE THE STABILITY OR STRUCTURAL INTEGRITY OF THE EXISTING CONSTRUCTION. WHEN SAW CUTTING, SPECIAL CARE SHALL BE TAKEN TO NOT OVER CUT INTO AN EXISTING AREA OF STRUCTURE THAT WILL REMAIN.
- CORING FOR PIPING OR CONDUIT THROUGH EXISTING STRUCTURAL MEMBERS IS NOT ALLOWED UNLESS SPECIFICALLY SHOWN IN THE CONTRACT DOCUMENTS.
- DAMAGE TO THE EXISTING STRUCTURE OR OTHER EXISTING BUILDING COMPONENTS CAUSED BY DEMOLITION OPERATIONS SHALL BE REPAIRED BY THE CONTRACTOR TO A LEVEL ACCEPTABLE TO THE OWNER'S REPRESENTATIVE.
- THE PROJECT AREA SHALL BE MAINTAINED AS CLEAN AS POSSIBLE WITH DUST BEING LIMITED AS MUCH AS PRACTICAL.

6. FOUNDATION NOTES

- GEOTECHNICAL REPORT: A PREVIOUSLY SUBMITTED GEOTECHNICAL ENGINEERING SERVICES REPORT AND IBC-2015 PRESUMPTIVE SOIL INFORMATION HAS BEEN UTILIZED FOR THE NEW OFFICE ADDITION AT SOUTHGATE ELEMENTARY SCHOOL, IN MOORE, OKLAHOMA. THE GEOTECHNICAL REPORT WAS PERFORMED BY TERRACON CONSULTANTS, INC. (TERRACON), DATED SEPTEMBER 9, 2015 (TERRACON PROJECT NO. 03155149).
- SITE SUB-GRADE PREPARATION:
 - STRIPPING: VEGETATION, CONCRETE, DELETERIOUS MATERIALS, AND SOFT AND LOOSE SOIL IN THE CONSTRUCTION AREAS, SHALL BE STRIPPED FROM THE SITE. THE DEPTH OF REMOVAL SHALL BE DETERMINED BY A REPRESENTATIVE OF THE GEOTECHNICAL ENGINEER AT THE TIME OF CONSTRUCTION. UTILITIES SHALL BE LOCATED AND REROUTED AS NECESSARY.
 - PROOF-ROLLING: AFTER STRIPPING AND MAKING ANY REQUIRED CUTS, BUT BEFORE PLACING FILL, THE CONSTRUCTION AREA SHALL BE PROOF-ROLLED WITH A TANDEM AXLE DUMP TRUCK WEIGHING AT LEAST 9 TONS/AXLE. THE PROOFROLLING SHOULD INVOLVE OVERLAPPING PASSES IN MUTUALLY PERPENDICULAR DIRECTIONS AND SOILS WHICH ARE OBSERVED TO RUT OR DEFLECT EXCESSIVELY UNDER THE MOVING LOAD SHALL BE UNDERCUT AND RECOMPACTED IN PLACE OR REPLACED WITH PROPERLY COMPACTED ENGINEERED FILL. THE RECOMPACTED SOIL OR STRUCTURAL FILL SHALL BE MOISTURE CONDITIONED DURING PLACEMENT. THE PROOF-ROLLING AND UNDERCUTTING ACTIVITIES SHALL BE WITNESSED BY A REPRESENTATIVE OF THE GEOTECHNICAL ENGINEER AND SHALL BE PERFORMED DURING A PERIOD OF DRY WEATHER.
 - SCARIFICATION: AFTER STRIPPING, MAKING ANY REQUIRED CUTS AND PROOF ROLLING, BUT BEFORE FILL PLACEMENT, THE EXPOSED SOILS SHALL BE SCARIFIED TO A MINIMUM DEPTH OF 8 INCHES AND THEN PROCESSED AT A MOISTURE CONTENT AT OR ABOVE ITS OPTIMUM VALUE AS DETERMINED BY THE STANDARD PROCTOR TEST. THE SUBGRADE SOILS SHALL BE RECOMPACTED TO AT LEAST 95 PERCENT OF ITS MAXIMUM DRY DENSITY AS DETERMINED BY THE STANDARD PROCTOR TEST METHOD (ASTM D-698).
 - ACCEPTABLE FILL: STRUCTURAL FILL MATERIALS SHALL BE FREE OF ORGANIC OR OTHER DELETERIOUS MATERIAL. HAVE A MAXIMUM PARTICLE SIZE OF 3 INCHES, HAVE A LIQUID LIMIT NOT MORE THAN 35, A PLASTICITY INDEX IN THE RANGE OF 5 AND 18 AND FINE MATERIAL PASSING THE NO. 200 SEIVE NOT LESS THAN 60%.

- FILL PLACEMENT: FILL SHALL BE PLACED IN MAXIMUM LIFTS OF 8 INCHES OF LOOSE MATERIAL AND SHALL BE COMPACTED WITHIN THE RANGE OF 2 PERCENTAGE POINTS BELOW AND 3 PERCENTAGE POINTS ABOVE THE OPTIMUM MOISTURE CONTENT. EACH LIFT OF COMPACTED ENGINEERED FILL SHALL BE TESTED BY A REPRESENTATIVE OF THE GEOTECHNICAL ENGINEER PRIOR TO PLACEMENT OF SUBSEQUENT LIFTS. THE EDGES OF COMPACTED FILL SHALL EXTEND 5 FEET LATERALLY BEYOND THE BUILDING FOOTPRINT PRIOR TO SLOPING ON AS FLAT A GRADIENT AS PRACTICAL. STRUCTURAL FILL SHALL BE COMPACTED TO AT LEAST 95 PERCENT OF STANDARD PROCTOR MAXIMUM DRY DENSITY AS DETERMINED BY ASTM D698.
- DEPTH OF FILL: THE FLOOR SLAB SHALL BE GRADE SUPPORTED ON 2'-0" OF PROPERLY COMPACTED STRUCTURAL FILL. THE SHALLOW FOUNDATIONS SHALL BEAR ON 2'-0" OF PROPERLY COMPACTED STRUCTURAL FILL.
- FILL PLACEMENT TESTING: EACH LIFT OF COMPACTED FILL SHALL BE TESTED BY A GEOTECHNICAL ENGINEER PRIOR TO PLACEMENT OF SUBSEQUENT LIFTS. FIELD DENSITY TESTS SHALL BE TAKEN AT A MINIMUM OF ONE PER EVERY 2500 SF, BUT AT LEAST THREE SETS OF DENSITY TESTS SHALL BE TAKEN FOR EACH LIFT.
- SITE DRAINAGE: GRADING OF THE SITE AROUND THE STRUCTURE'S PADS SHALL BE ACCOMPLISHED TO ENABLE POSITIVE DRAINAGE AWAY FROM THE PADS BY PROVIDING AN ADEQUATE GRADIENT. THE SURFACE GRADIENT PROVIDED WILL BE DEPENDENT ON THE LANDSCAPING TYPE AND VEGETATION. WATER INFILTRATION AND SEEPAGE INTO THE FOUNDATION SHALL BE REDUCED AS MUCH AS POSSIBLE. IF IT IS POSSIBLE FOR WATER TO COLLECT BENEATH THE FOUNDATION AND FOUNDATION AREAS, IT WILL BE NECESSARY TO USE INTERCEPTOR DRAINS TO REMOVE THE COLLECTED WATER.
- MAINTENANCE OF SOIL MOISTURE: SOIL MOISTURE SHALL BE MAINTAINED UP UNTIL CONCRETE PLACEMENT TO PREVENT SHRINKAGE AND SUBSEQUENT POST-CONSTRUCTION SWELL OF SUBGRADE SOILS.

C. SHALLOW FOUNDATIONS:

- FOOTING DESIGN PARAMETERS: THE PROPOSED BUILDING SHALL BE SUPPORTED ON CONVENTIONAL SHALLOW FOUNDATIONS BASED ON THE FOLLOWING DESIGN PARAMETERS:
 - BEARING MATERIAL: 2'-0" OF PROPERLY COMPACTED STRUCTURAL FILL AS OUTLINED ABOVE.
 - ALLOWABLE BEARING PRESSURE: 1,500 PSF
- OBSERVATION OF BEARING CONDITIONS: A GEOTECHNICAL ENGINEER SHALL OBSERVE THE FOUNDATION EXCAVATIONS PRIOR TO STEEL OR CONCRETE PLACEMENT TO DETERMINE IF THE FOUNDATION MATERIALS ARE CAPABLE OF SUPPORTING THE DESIGN LOADS AND ARE CONSISTENT WITH THE MATERIALS DISCUSSED ABOVE.
- IMPROVEMENT OF BEARING CONDITIONS: SOFT OR LOOSE SOIL ZONES ENCOUNTERED AT THE BOTTOM OF THE FOOTING EXCAVATIONS SHALL BE REMOVED TO THE LEVEL OF STIFF OR DENSE SOIL AS DIRECTED BY THE GEOTECHNICAL ENGINEER. CAVITIES FORMED AS A RESULT OF EXCAVATION OF SOFT OR LOOSE SOIL ZONES SHALL BE BACKFILLED WITH ENGINEERED FILL, LEAN CONCRETE OR FLOWABLE FILL, AS DETERMINED BY THE GEOTECHNICAL ENGINEER. CARE SHALL BE TAKEN TO PREVENT WETTING OR DRYING OF THE BEARING MATERIALS DURING CONSTRUCTION. ANY EXTREMELY WET OR DRY MATERIAL, OR ANY LOOSE OR DISTURBED MATERIAL IN THE BOTTOM OF THE FOOTING EXCAVATIONS SHALL BE REMOVED PRIOR TO PLACING CONCRETE.
- TRENCHED FOOTINGS: EARTH-FORMED TRENCHED FOOTINGS ARE PERMITTED, EXCEPT WHERE BRICK LEDGES OR EXPOSED SURFACES REQUIRE FORMING AND/OR WHERE SOIL SIDE WALLS SLOUGH INTO THE TRENCH. IN ORDER TO ACHIEVE 3" MINIMUM CONCRETE COVER OVER STEEL REINFORCING ON SIDEWALLS, EARTH FORMED TRENCHES SHALL BE A MINIMUM OF 2" WIDER THAT THE FORMED DIMENSIONS SHOWN IN ALL SECTIONS AND DETAILS.
- PIPE PENETRATIONS: ALL HORIZONTAL PIPE OR SIMILAR PENETRATIONS OR SLEEVES THROUGH FOOTINGS SHALL OCCUR WITHIN THE MIDDLE 1/3 OF THE FOOTING DEPTH. AT PENETRATIONS, PROVIDE (4) #5 DIAGONAL BARS AT EACH FOOTING FACE (3" CLEAR BETWEEN BAR AND PENETRATION AND 3" CLEAR FROM FOOTING BEARING). IF PENETRATION OCCURS NEAR THE BOTTOM OF THE FOOTING, REFER TYPICAL DETAILS FOR STANDARD DETAIL TO TRANSITION AND THICKEN FOOTING TO ACCOMMODATE PENETRATION.

E. SLAB-ON-GRADE CONSTRUCTION

- SLAB THICKNESS AND REINFORCING: SLABS-ON-GRADE SHALL BE 4" THICK CONCRETE REINFORCED WITH #3 BARS AT 15" ON CENTER EACH WAY. REINFORCING BARS SHALL BE PLACED 1"K CLEAR FROM TOP OF SLAB USING CHAIRS OR SLAB BOLSTERS COMPLYING WITH CRSI'S "MANUAL OF STANDARD PRACTICE".
- SLAB SUBGRADE: THE FLOOR SLAB SHALL BE GRADE-SUPPORTED AS OUTLINED IN THE SITE SUB-GRADE PREPARATION NOTES SHOWN ABOVE.
- CONSTRUCTION MONITORING: CONSTRUCTION ACTIVITY MAY CAUSE DAMAGE AND DETEIORATION TO THE PREPARED SUBGRADE. A FIELD REPRESENTATIVE OF THE GEOTECHNICAL ENGINEER SHALL OBSERVE THE FINAL SUBGRADE PRIOR TO PLACEMENT OF THE SLAB ON GRADE, PERFORM FURTHER TESTING AS NECESSARY, AND DETERMINE IF ANY REMEDIAL MEASURES ARE NECESSARY PRIOR TO SLAB PLACEMENT.
- AGGREGATE BASE COURSE: A 4-INCH THICK, FREE-DRAINING AGGREGATE BASE COURSE SHALL BE PLACED BENEATH THE FLOOR SLAB TO ENHANCE DRAINAGE AND PROVIDE INCREASED SUBGRADE STRENGTH. AT THE TIME OF THE SLAB PLACEMENT, THE AGGREGATE BASE SHALL BE MOIST, BUT FREE OF ANY STANDING OR SELF-DRAINING WATER. THE AGGREGATE BASE COURSE MATERIAL SHALL MEET THE OKLAHOMA DEPARTMENT OF TRANSPORTATIONS STANDARD SPECIFICATION 701.3 TYPE "A" CRITERIA.
- VAPOR RETARDER: A 15 MIL VAPOR RETARDER SHALL BE PLACED IMMEDIATELY BELOW THE CONCRETE SLAB. VAPOR RETARDER SHALL BE SEALED AT ALL LAPS AND SEALED TO PREVIOUSLY PLACED CONCRETE AS RECOMMENDED BY VAPOR RETARDER MANUFACTURER. BEFORE PLACING CONCRETE, PATCH AND SEAL ANY RIPS, TEARS OR HOLES IN VAPOR RETARDER INCURRED DURING CONSTRUCTION.
- MOIST CURING OF SLAB: SLABS-ON-GRADE SHALL BE WATER CURED FOR A MINIMUM OF 7 DAYS BY PONDING, SPRAYING, SPRINKLING OR BY USE OF SATURATED COVERINGS. CURING COMPOUNDS ARE EXPRESSLY PROHIBITED.
- ISOLATION JOINTS: PROVIDE SLAB ISOLATION AROUND COLUMNS PENETRATING THE SLAB-ON-GRADE. PROVIDE 1/2 INCH PREMOLDED EXPANSION JOINT MATERIAL AROUND PERIMETER OF ISOLATION JOINTS. REFER TO TYPICAL DETAILS AND ADDITIONAL INFORMATION.
- SLAB JOINTS: SLAB JOINTS SHALL BE PROVIDED AS SHOWN ON THE PLANS AND TYPICAL DETAILS. THE FOLLOWING JOINT TYPES ARE SHOWN ON THE DRAWINGS:
 - CJ = CONSTRUCTION JOINT
 - SJ = SAWED CONSTRUCTION JOINT

F. FOUNDATION MISCELLANEOUS

- GROUNDWATER CONDITIONS: GROUNDWATER WAS ENCOUNTERED IN THE BORINGS AT THE TIME OF DRILLING. HOWEVER, IT IS POSSIBLE THAT TRANSIENT OVER-SATURATED GROUND CONDITIONS COULD DEVELOP AT SHALLOW DEPTHS AT A LATER TIME DUE TO PERIODS OF HEAVY PRECIPITATION, LANDSCAPE WATERING, LEAKING WATER LINES, OR OTHER UNFORESEEN CAUSES. THE CONTRACTOR SHALL DETERMINE THE ACTUAL GROUNDWATER LEVELS AT TIME OF CONSTRUCTION. IF GROUNDWATER ISSUES ARE ENCOUNTERED DURING CONSTRUCTION, THE GEOTECHNICAL ENGINEER SHALL BE CONTACTED.
- DRAINAGE CONSIDERATIONS DURING CONSTRUCTION: DUE TO ADVERSE EFFECT ON STRUCTURES, WATER SHALL NOT BE ALLOWED TO COLLECT IN THE FOUNDATION EXCAVATION OR ON PREPARED SUBGRADE OF THE CONSTRUCTION AREA EITHER DURING OR AFTER CONSTRUCTION. UNDERCUT OR EXCAVATED AREAS SHALL BE SLOPED TOWARD ONE CORNER TO FACILITATE REMOVAL OF ANY COLLECTED RAINWATER, OR POSITIVE RUNOFF SHALL BE PROVIDED. THE CONTRACTOR SHALL EXERCISE CARE IN CREATING DRAINAGE PATHS FOR WATER DURING THE CONSTRUCTION PHASE OF THE PROJECT. TO REDUCE INFILTRATION OF SURFACE WATER AROUND THE PERIMETER OF THE BUILDING AND BENEATH THE FLOOR SLABS, POSITIVE DRAINAGE SHALL BE PROVIDED DURING ALL PHASES OF CONSTRUCTION.

- FINAL SITE GRADING: PER SECTION 1804.4 OF IBC-2015, THE GROUND IMMEDIATELY ADJACENT TO THE FOUNDATION SHALL BE SLOPED AWAY FROM THE BUILDING AT A SLOPE OF NOT LESS THAN ONE UNIT VERTICAL IN 20 UNITS HORIZONTAL (5-PERCENT SLOPE) FOR A MINIMUM DISTANCE OF 10 FEET PERPENDICULAR TO THE FACE OF THE WALL. IF PHYSICAL OBSTRUCTIONS OR LOT LINES PROHIBIT 10 FEET OF HORIZONTAL DISTANCE, A 5-PERCENT SLOPE SHALL BE PROVIDED TO AN APPROVED ALTERNATIVE METHOD OF DIVERTING WATER AWAY FROM THE FOUNDATION. SHOALS USED FOR THIS PURPOSE SHALL BE SLOPED A MINIMUM OF 2-PERCENT WHERE LOCATED WITHIN 10 FEET OF THE BUILDING FOUNDATION. IMPERVIOUS SURFACES WITHIN 10 FEET OF THE BUILDING SHALL BE SLOPED A MINIMUM OF 2-PERCENT AWAY FROM THE BUILDING.

- EXCAVATION AND TEMPORARY SLOPES: THE CONTRACTOR, DESIGNATED AS "RESPONSIBLE PERSON" IN OSHA CONSTRUCTION STANDARDS FOR EXCAVATIONS, 29 CFR PART 1926, IS SOLELY RESPONSIBLE FOR PLANNING AND IMPLEMENTING ALL SAFETY PROCEDURES. ALL EXCAVATION HEIGHT, SLOPE, AND DEPTH MUST ADHERE TO ALL SPECIFICATIONS OUTLINED IN LOCAL, STATE, AND FEDERAL SAFETY REGULATIONS. THE STRUCTURAL ENGINEER DOES NOT ASSUME ANY RESPONSIBILITY FOR CONSTRUCTION SITE SAFETY OR ANY PARTY'S, INCLUDING THE CONTRACTOR'S, COMPLIANCE WITH THE APPLICABLE LOCAL, STATE, AND FEDERAL SAFETY REGULATIONS OR ANY OTHER APPLICABLE REGULATIONS.

- TRENCH BACKFILL: ALL REQUIRED TRENCH BACKFILL SHALL BE ACCEPTABLE FILL MATERIAL AS DEFINED ABOVE AND SHALL BE MECHANICALLY COMPACTED IN LAYERS TO AT LEAST 95% OF THE STANDARD PROCTOR MAXIMUM DRY DENSITY AS DETERMINED BY ASTM D 698. SOME SETTLEMENT OF THE BACKFILL MAY BE EXPECTED AND ANY UTILITIES WITHIN THE TRENCHES SHALL BE CONSTRUCTED TO ALLOW THESE DIFFERENTIAL MOVEMENTS. REFER TO PROJECT SPECIFICATIONS FOR ADDITIONAL REQUIREMENTS.

- CONSTRUCTION MONITORING: A GEOTECHNICAL ENGINEER SHALL BE RETAINED TO PROVIDE OBSERVATIONS AND TESTING OF SOILS EXPOSED DURING PROJECT CONSTRUCTION IN ORDER TO VERIFY THAT SOIL CONDITIONS ARE AS ANTICIPATED. CONSTRUCTION ACTIVITIES PERTAINING TO EARTHWORK AND OTHER RELATED ACTIVITIES SHALL ALSO BE OBSERVED BY THE GEOTECHNICAL ENGINEER AS OUTLINED ABOVE.

7. CONCRETE CONSTRUCTION NOTES

- DESIGN CRITERIA: THE DESIGN OF CONCRETE IS GOVERNED BY "BUILDING CODE REQUIREMENTS FOR STRUCTURAL CONCRETE (ACI 318-14) AND COMMENTARY (ACI 318R-14)."

- CONCRETE CONSTRUCTION CRITERIA: ALL CONCRETE CONSTRUCTION SHALL COMPLY WITH THE PROVISIONS OF "SPECIFICATIONS FOR STRUCTURAL CONCRETE (ACI 301-16)."

- TOLERANCES: TOLERANCES FOR CONCRETE CONSTRUCTION SHALL BE IN ACCORDANCE WITH "SPECIFICATION FOR TOLERANCES FOR CONCRETE CONSTRUCTION AND MATERIALS (ACI 117-10) AND COMMENTARY (ACI 117R-10)."

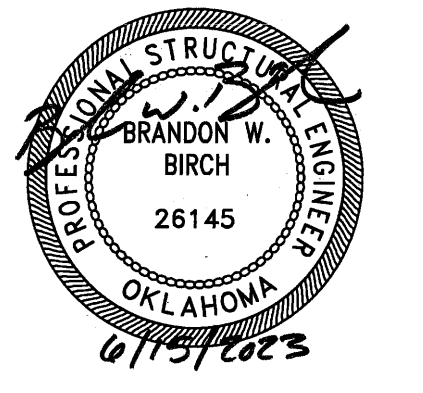
D. CONCRETE MIXTURES:

- CEMENTITIOUS MATERIALS
 - PORTLAND CEMENT: ASTM C150 TYPE I OR II UNLESS SPECIFICALLY NOTED OTHERWISE.
 - FLY ASH: ASTM C618 CLASS F OR C. THE MAXIMUM PERCENTAGE OF FLY ASH SHALL NOT EXCEED 25 PERCENT OF THE TOTAL CEMENTITIOUS MATERIAL.
- ALL CONCRETE MIXES SHALL BE COMPRISED OF NORMAL WEIGHT AGGREGATES CONFORMING TO ASTM C33, EXCEPT WHERE SPECIFICALLY INDICATED AS LIGHTWEIGHT, IN WHICH CASE AGGREGATES SHALL CONFORM TO ASTM C330.
- MIXING WATER SHALL CONFORM TO ASTM C1062. MIXING WATER, INCLUDING THAT PORTION OF MIXING WATER CONTRIBUTED IN THE FORM OF FREE MOISTURE ON AGGREGATES, SHALL NOT CONTAIN DELETERIOUS AMOUNTS OF CHLORIDE IONS.
- ADMIXTURES, IF USED, SHALL CONFORM TO THE FOLLOWING:
 - WATER REDUCTION AND SETTING TIME MODIFICATION: ASTM C494.
 - PRODUCING FLOWING CONCRETE: ASTM C1017.
 - AIR ENTRAINMENT: ASTM C260.
 - INHIBITING CHLORIDE INDUCED CORROSION: ASTM C1582.
 - MOISTURE VAPOR REDUCING ADMIXTURE, MVRA: ASTM C494 & ASTM D5084

- MIX DESIGNS SHALL BE PROPORTIONED BASED ON THE FOLLOWING MIX CHARACTERISTICS:

- DRILLED CONCRETE PIERS AND SHAFTS
 - FREEZING AND THAWING EXPOSURE CATEGORY (F): CLASS FO
 - SULFATE EXPOSURE CATEGORY (S): CLASS SO
 - WATER EXPOSURE CATEGORY (W): CLASS W1
 - CORROSION PROTECTION CATEGORY (C): CLASS CO
 - 28-DAY COMPRESSIVE STRENGTH: 3,500 PSI
 - MAXIMUM WATER/CEMENT RATIO: 0.55
 - MAXIMUM AGGREGATE SIZE: 1 1/2 INCHES
 - TARGET AIR CONTENT: NO AIR ENTRAINMENT REQUIRED.
 - MINIMUM SLUMP: 7 TO 9 INCHES
 - MAXIMUM WATER-SOLUBLE CHLORIDE ION CONTENT IN CONCRETE, PERCENT BY WEIGHT OF CEMENT: 0.30

- WATER REDUCING AND RETARDING ADMIXTURE: AS REQUIRED TO ENSURE MINIMUM SLUMP MAINTAINED DURING REMOVAL OF TEMPORARY CASINGS BELOW GRADE FOUNDATIONS
 - FREEZING AND THAWING EXPOSURE CATEGORY (F): CLASS F1
 - SULFATE EXPOSURE CATEGORY (S): CLASS SO
 - WATER EXPOSURE CATEGORY (W): CLASS W0
 - CORROSION PROTECTION CATEGORY (C): CLASS C1
 - 28-DAY COMPRESSIVE STRENGTH: 3,500 PSI
 - MAXIMUM WATER/CEMENT RATIO: 0.55
 - MAXIMUM AGGREGATE SIZE: 1 1/2 INCHES



10. STEEL JOIST AND BRIDGING NOTES

A. COORDINATION BY GENERAL CONTRACTOR:

- 1) THE GENERAL CONTRACTOR SHALL CONFIRM OR REVISE MECHANICAL EQUIPMENT SIZE AND HEIGHT AND PROVIDE THE JOIST MANUFACTURER THE POINT LOADS FOR WHICH SPECIAL JOISTS ARE TO BE DESIGNED. PRELIMINARY ROOF TOP UNIT (RTU) WEIGHTS ARE SHOWN ON THE ROOF PLANS. SHOULD WEIGHTS EXCEED THOSE SHOWN, CONTRACTOR SHALL CONTACT THE OWNER'S REPRESENTATIVE FOR REVIEW.

B. JOIST DESIGN BY MANUFACTURER

- 1) AS A MINIMUM REQUIREMENT, THE JOIST MANUFACTURER SHALL DESIGN ALL JOISTS FOR THE DESIGN LOADS SPECIFIED IN THE STEEL JOIST INSTITUTE'S LOAD TABLES. IN ADDITION, JOISTS SHALL BE DESIGNED TO CARRY ANY OTHER LOADS INDICATED ON THE DRAWINGS.
- 2) UNLESS SHOWN OTHERWISE IN THE DRAWINGS, JOISTS SHALL BE DESIGNED BY THE JOIST MANUFACTURER FOR A NET UPLIFT OF 10 PSF IN THE FIELD OF THE ROOF AND 15 PSF WITHIN 10 FEET OF ROOF EDGES.
- 3) BETWEEN PANEL POINTS OF STEEL JOISTS THE CHORD MEMBERS SHALL BE DESIGNED TO SUPPORT 100 LBS VERTICAL LOAD WITHOUT REINFORCEMENT OF THE JOIST. TYPICALLY, UNDERHUNG LOADS SHALL BE SUPPORTED AT JOIST PANEL POINTS. OFF-PANEL POINT LOADING IN EXCESS OF 100 POUNDS WILL REQUIRE JOIST REINFORCING. REFER TYPICAL DETAILS FOR JOIST REINFORCING DETAIL.
- 4) JOISTS SEATS SHALL HAVE STANDARD JOIST SEAT DEPTHS UNLESS NOTED OTHERWISE. HOWEVER, FLAT BEARING SEATS SHALL BE PROVIDED FOR ALL JOISTS BY INCREASING THE DEPTH OF THE SEAT AT THE HIGH END OF SLOPED JOISTS. CONTRACTOR SHALL VERIFY FINAL SEAT DEPTHS PRIOR TO DETAILING SUPPORTING STRUCTURE. STANDARD JOIST SEAT DEPTHS ARE AS FOLLOWS:
A) K-SERIES: 2-1/2"
- 5) BOTTOM CHORDS ON ALL JOISTS SHALL BE EXTENDED TO RECEIVE CEILING OR POTENTIAL FUTURE CEILING.
- 6) IN STEEL FRAMES, WHERE COLUMNS ARE NOT FRAMED IN AT LEAST TWO DIRECTIONS WITH SOLID WEB STRUCTURAL STEEL MEMBERS, STEEL JOISTS SHALL BE FIELD-BOLTED TO THE COLUMNS TO PROVIDE LATERAL STABILITY TO THE COLUMNS DURING ERECTION AND BOTTOM CHORD STABILITY PLATES SHALL BE PROVIDED AS REQUIRED BY OSHA SAFETY STANDARDS.

C. JOIST BRIDGING

- 1) JOIST BRIDGING SHOWN ON FRAMING PLANS IS PRELIMINARY AND SHALL NOT BE USED AS THE BASIS FOR BID OR FOR ERECTION. ALL JOIST BRIDGING SHALL BE DESIGNED BY THE JOIST MANUFACTURER TO MEET OR EXCEED THE MINIMUM REQUIREMENTS OF THE SJI "STANDARD SPECIFICATION FOR K-SERIES, LH-SERIES, AND DLH SERIES OPEN WEB STEEL JOISTS AND FOR JOIST GIRDERS", AND ALL OSHA PROVISIONS REGARDING JOIST ERECTION.
- 2) ADDITIONAL BRIDGING LINES AT THE BOTTOM CHORD OUTSIDE PANEL POINT HAVE NOT BEEN SHOWN FOR CLARITY BUT ARE REQUIRED FOR THE SUPPORT OF UPLIFT LOADS. PROVIDE AS DESIGNED BY THE JOIST MANUFACTURER.
- 3) NO VERTICAL LOAD SHALL BE IMPOSED ON BRIDGING.
- 4) HORIZONTAL BRIDGING ANGLES FOR TOP AND BOTTOM CHORDS OF JOISTS ARE SHOWN ON FRAMING PLANS THUS: - - - - -
- 5) DIAGONAL BRIDGING IS SHOWN AS AN "X" ALONG A LINE OF HORIZONTAL BRIDGING. DIAGONAL BRIDGING SHALL BE PROVIDED WHERE SHOWN AND AT ANY DISCONTINUITIES IN THE ROW OF BRIDGING.
- 6) ALL BRIDGING LINES SHALL BE TERMINATED WITH AN "X" OR ANCHORED TO A STRUCTURAL WALL. REFER TYPICAL DETAILS FOR JOIST BRIDGING DETAILS.

D. JOIST ERECTION

- 1) ERECTION OF JOISTS SHALL FOLLOW THE STEEL JOIST INSTITUTE'S CODE OF STANDARD PRACTICE. JOISTS SHALL NOT BE FULLY LOADED UNTIL ALL BRIDGING LINES ARE SECURED AND METAL DECKING IS IN PLACE. THE JOIST MANUFACTURER AND ERECTOR SHALL PROVIDE ADDITIONAL BRIDGING DURING CONSTRUCTION SEQUENCING AS REQUIRED BY THE CURRENT SJI SPECIFICATIONS AND OSHA REQUIREMENTS.
- 2) NO LOAD APPLIED TO JOIST SHALL BE DONE IN A MANNER THAT EXCEEDS THE MOMENT OR SHEAR CAPACITY OF THE JOIST.
- 3) ANY HANGERS SUPPORTED FROM JOISTS SHALL BE CONNECTED WITHOUT FIELD WELDING OR DRILLING TO THE JOIST.

11. METAL DECK NOTES:

A. ROOF DECK:

- 1) BASIS OF DESIGN: VULCRAFT TYPE 1.58 WIDE RIB DECK WITH THE CHARACTERISTICS AND STRUCTURAL PROPERTIES OUTLINED BELOW. WIDE RIB DECKS OF OTHER MANUFACTURERS ARE ACCEPTABLE IF THEY PROVIDE SIMILAR LOAD-CARRYING CAPACITY FOR THE DECK SPANS APPLICABLE TO THIS PROJECT.
A) SJI DECK TYPE: WIDE RIB (WR)
B) DEPTH: 1-1/2 IN.
C) THICKNESS: 22 GAGE
D) FINISH: GALVANIZED
E) I = 0.155 IN⁴/FT
F) Sp = 0.186 IN³/FT
G) Sn = 0.192 IN³/FT
H) Fy = 33 KSI
I) SIDE LAPS: OVERLAPPED
- 2) SUPPORT FASTENERS: ROOF DECK SHALL BE CONNECTED TO SUPPORTS WITH #12 MECHANICAL FASTENERS AT 12" O.C. (36/4 PATTERN).
- 3) SIDE LAP FASTENERS: ROOF DECK SIDE LAPS SHALL BE FASTENED WITH #10 SIDE LAP FASTENERS AT 12" ON CENTER.

- 4) MINIMUM BEARING LENGTH: MINIMUM BEARING LENGTH ON SUPPORTS AT DISCONTINUOUS ENDS OF ROOF DECK IS 1.5 INCHES. MINIMUM BEARING LENGTH OF CONTINUOUS ROOF DECK OVER INTERIOR SUPPORTS IS 3.0 INCHES.
- B. SUBSTITUTION OF WELDING OR PINS FOR MECHANICAL SCREW ANCHORS WILL NOT BE PERMITTED.

C. SUPPORTS FOR DECKING ARE DEFINED AS MEMBERS PROVIDING DIRECT TRANSVERSE SUPPORT AS WELL AS CONTINUOUS PARALLEL EDGE SUPPORT.

D. ALL DECKING SHALL BE PLACED PERPENDICULAR TO SUPPORTING ROOF OR FLOOR MEMBERS AND SHALL SPAN A MINIMUM OF 3 SPANS UNLESS SHOWN OTHERWISE IN STRUCTURAL DRAWINGS.

E. METAL DECKING SHALL NOT BE USED TO SUPPORT ANY HANGING LOADS INCLUDING, BUT NOT LIMITED TO, SUSPENDED MECHANICAL, ELECTRICAL, OR PLUMBING EQUIPMENT, CABLE TRAYS OR RACEWAYS, CEILING FINISHES OR CEILING FRAMING.

F. ALL DECK OPENINGS UP TO 8-IN. SHALL BE REINFORCED WITH A MINIMUM 16-GAGE PLATE AS SHOWN IN TYPICAL ROOF DECK REINFORCING DETAIL.

G. ALL DECK OPENINGS GREATER THAN 8-IN. SHALL BE SUPPORTED BY AN ANGLE FRAME. IF SPECIFIC FRAMING SIZES ARE NOT PROVIDED ON THE FRAMING PLAN, REFER TYPICAL DETAILS FOR ROOF OPENING FRAME DETAIL.

H. METAL ROOF DECK SHALL BE LAPPED A MINIMUM OF 2" OVER SUPPORTS. FASTENERS SHALL PENETRATE BOTH PLIES OF DECKING INTO SUPPORTING SUBSTRATE OR 2 LINES OF FASTENERS SHALL BE PROVIDED.

- 4) UNLESS OTHERWISE INDICATED IN THE DRAWINGS, ALL ANCHOR RODS SHALL CONFORM TO THE SPECIFIED MATERIAL GRADE SHALL BE A MINIMUM 3/4 INCH DIAMETER WITH A MINIMUM FOUNDATION EMBEDMENT AS INDICATED IN STRUCTURAL DETAILS. THE EMBEDDED END SHALL HAVE EITHER A STANDARD BOLT HEAD, A HEAVY HEX NUT WITH THE THREADS SPOILED ABOVE AND BELOW THE NUT, OR JAMMED DOUBLE NUTS.

- 5) PRIOR TO PLACING CONCRETE, STEEL PLATE TEMPLATES SHALL BE PROVIDED TO FACILITATE PLACEMENT OF ANCHOR RODS IN DETAILED PLAN POSITIONS AND ELEVATIONS.

- 6) BASE PLATES SHALL BE LEVELED WITH LEVELING NUTS AND OVERSIZED WASHER PLATES OR WITH SHIM PACKS AT THE ERECTOR'S OPTION.

- 7) AFTER FINAL BASE PLATE POSITIONING, ANCHOR ROD NUTS SHALL BE INSTALLED TO A SNUG-TIGHT CONDITION AND WASHER PLATES SHALL BE FIELD WELDED AS INDICATED IN THE CONSTRUCTION DOCUMENTS.

D. STEEL FABRICATION & FINISH:

- 1) SHOP DRAWINGS SHALL BE SUBMITTED TO AND REVIEWED BY THE OWNER'S REPRESENTATIVE PRIOR TO COMMENCING FABRICATION. ANY FABRICATION INITIATED PRIOR TO APPROVAL OF SHOP DRAWINGS WILL BE AT THE SOLE RISK OF THE FABRICATOR.
- 2) ALL SHOP AND FIELD WELDS SHALL BE MADE IN ACCORDANCE WITH THE ANSI/AWS "D1.1-STRUCTURAL WELDING CODE - STEEL", 2011 EDITION. ALL WELDING SHALL USE LOW HYDROGEN PROCESSES.

- 3) ALL BEAMS THAT ARE REQUIRED TO HAVE CAMBER SHALL BE FABRICATED WITH CAMBER UPWARD. BEAMS WITHOUT SPECIFIED CAMBER SHALL BE FABRICATED SUCH THAT AFTER ERECTION, ANY NATURAL CAMBER DUE TO ROLLING OR SHOP FABRICATION IS UPWARD.

- 4) CUTS, HOLES, COPING, ETC. REQUIRED FOR OTHER TRADES SHALL BE SHOWN ON THE SHOP DRAWINGS AND MADE IN THE SHOP. CUTS OR BURNING OF HOLES IN STRUCTURAL STEEL MEMBERS IN THE FIELD WILL NOT BE PERMITTED.

- 5) THE FABRICATOR SHALL BE RESPONSIBLE FOR ALL ERECTION AIDS. ANY SUCH ERECTION AIDS SHALL BE REMOVED FROM THE COMPLETED STRUCTURE IF DIRECTED BY THE OWNER'S REPRESENTATIVE.

- 6) ALL EXTENSION BARS, RUN-OFF PLATES, AND BACKING BARS USED IN WELDED CONNECTIONS SHALL BE REMOVED AND THE JOINTS SHALL BE GROUND SMOOTH WHERE SUCH CONNECTION IS PERMANENTLY EXPOSED TO VIEW OR IS DESIGNATED AS ARCHITECTURALLY EXPOSED STRUCTURAL STEEL.

7) HEADED STUDS AND DEFORMED BAR ANCHORS

- A) ALL HEADED STUDS AND DEFORMED BAR ANCHORS SHALL BE INSTALLED USING AUTOMATIC END-WELDING EQUIPMENT RECOMMENDED BY THE STUD OR ANCHOR MANUFACTURER. MANUAL WELDING OF HEADED STUDS OR DEFORMED BAR ANCHORS WILL NOT BE ALLOWED.
- B) IF A VISUAL INSPECTION REVEALS ANY STUD THAT DOES NOT SHOW A FULL 360-DEGREE FLASH OR ANY STUD THAT HAS BEEN REPAIRED BY MANUAL WELDING, SUCH STUD SHALL BE BENT TO AN ANGLE APPROXIMATELY 15-DEGREES FROM ITS ORIGINAL AXIS. THE DIRECTION OF BENDING FOR STUDS WITH LESS THAN A 360-DEGREE FLASH SHALL BE OPPOSITE TO THE MISSING PORTION OF THE FLASH.
- C) HEADED STUDS AND DEFORMED BAR ANCHORS THAT HAVE SUCCESSFULLY PASSED THE BEND TEST WITHOUT SIGN OF FAILURE SHALL BE ACCEPTABLE FOR USE AND LEFT IN THE BENT POSITION UNLESS DIRECTED OTHERWISE BY THE ENGINEER.
- D) WELDED STUDS NOT CONFORMING TO THE REQUIREMENTS OF THE AWS D1.1 "STRUCTURAL WELDING CODE - STEEL" SHALL BE REPAIRED OR REPLACED BY THE CONTRACTOR. THE CONTRACTOR SHALL REVISE THE WELDING PROCEDURE AS NECESSARY TO ENSURE THAT SUBSEQUENT STUD WELDING WILL MEET AWS D1.1 REQUIREMENTS.

- 8) STEEL EMBEDMENTS IN CONCRETE: ALL STEEL COMPONENTS TO BE EMBEDDED IN CONCRETE SHALL HAVE COATINGS AS DEFINED IN THE TABLE BELOW.

| COATINGS FOR STEEL EMBEDMENTS IN CONCRETE | | |
|---|---------------|------------|
| EXPOSURE | FIELD WELDING | FINISH |
| EXTERIOR | EITHER | GALVANIZED |
| INTERIOR | YES | UNPAINTED |
| | NO | GALVANIZED |

FOOTNOTES:
ALL WELDING TO PREVIOUSLY GALVANIZED COMPONENTS WILL REQUIRE REMOVAL OF THE GALVANIZING WITH GRINDING FOR AT LEAST 3-IN. FROM EITHER SIDE OF THE INTENDED WELD AND ON BOTH SIDES OF THE WORKPIECE.

FIELD WELDED AREAS AND OTHER AREAS WITH REMOVAL OF, OR DAMAGE TO, THE GALVANIZED COATING SHALL HAVE THEIR COATING RESTORED IN ACCORDANCE TO ASTM A780, USING PAINT CONTAINING ZINC DUST OR SIMILAR PERMITTED PRODUCTS CAPABLE OF PROVIDING A MINIMUM ZINC-RICH COATING THICKNESS OF 2.0 MILS IN A SINGLE APPLICATION.

- 9) SHOP PRIMER
A) ALL STEEL EXPOSED TO EXTERIOR WEATHER OR AN UNCONTROLLED ENVIRONMENT SHALL BE BLAST CLEANED AND PRIMED WITH A SUBMITTED AND APPROVED ZINC-RICH PRIMER.
B) INTERIOR STEEL SHALL BE SHOP PRIMED WITH THE FABRICATOR'S STANDARD SHOP PRIMER.
C) SHOP PRIMER SHALL NOT BE APPLIED TO THE FOLLOWING AREAS:
i) SURFACES EMBEDDED IN CONCRETE OR MORTAR. EXTEND PRIMING OF PARTIALLY EMBEDDED MEMBERS TO A DEPTH OF 2 INCHES.
ii) SURFACES TO BE FIELD WELDED.
iii) SURFACES TO BE HIGH-STRENGTH BOLTED WITH SLIP-CRITICAL CONNECTIONS.
iv) SURFACES TO RECEIVE SPRAYED FIRE-RESISTIVE MATERIALS.
v) GALVANIZED SURFACES.

E. STEEL MISCELLANEOUS:

- 1) ALL EDGE ANGLES SUPPORTING ROOF OR FLOOR DECK SHALL BE SPLICED OVER SUPPORTS.
- 2) ALL ELEVATED MECHANICAL EQUIPMENT SHALL BE SUPPORTED BY STEEL FRAMING. IF SPECIFIC FRAMING SIZES ARE NOT PROVIDED ON THE FRAMING PLAN, REFER TYPICAL DETAILS FOR ROOF OPENING FRAME DETAIL.
- 3) SUBSTITUTION OF POST-INSTALLED ANCHORS FOR EMBEDDED ANCHORS SHOWN ON THE DRAWINGS WILL NOT BE PERMITTED UNLESS SPECIFICALLY APPROVED IN WRITING BY THE OWNER'S REPRESENTATIVE.
- 4) WHERE POST-INSTALLED ANCHORS ARE USED IN CONTINUOUS ANGLES, FABRICATE ANGLE WITH OPTIONAL HOLE LOCATIONS TO ALLOW REMEDIATION OF CASES WHERE ANCHORS FOUL WITH REBAR. AS AN EXAMPLE, FOR A CONTINUOUS ANGLE WITH ANCHORS AT 24" ON CENTER, PROVIDE HOLES AT 6" ON CENTER.
- 5) GALVANIZED LOOSE LEDGE ANGLES SHALL BE PROVIDED OVER ALL MASONRY VENEER OPENINGS OR RECESSES DEEPER THAN 1". LITTELS SHALL HAVE 1" OF BEARING AT EACH END FOR EVERY FOOT OF SPAN, WITH A MINIMUM OF 4" AND SIZED AS FOLLOWS UNLESS SHOWN OTHERWISE IN THE DRAWINGS.
A) UP TO 4'-0".....L3-1/2 x 3-1/2 x 3/8
B) 4'-1" TO 5'-0".....L4 x 3-1/2 x 3/8 (LLV)
C) 5'-1" TO 6'-6".....L5 x 3-1/2 x 3/8 (LLV)
D) 6'-7" TO 8'-0".....L6 x 3-1/2 x 3/8 (LLV)

D. PREPARATION PRIOR TO INSTALLATION

- 1) CURING OF BASE MATERIAL: DO NOT DRILL OR CORE HOLES INTO SUPPORTING CONCRETE OR MASONRY MATERIALS UNTIL THE CONCRETE, MORTAR AND/OR GROUT HAVE BEEN ADEQUATELY CURED TO ACHIEVE FULL DESIGN STRENGTH.
- 2) AVOIDANCE OF EMBEDDED ITEMS: PRIOR TO DRILLING OR CORING OPERATIONS, THE CONTRACTOR SHALL LOCATE AND MARK ALL POTENTIALLY CONFLICTING REINFORCING BARS, UTILITIES AND OTHER EMBEDDED ITEMS BY INDUCTION SCANNING, GROUND PENETRATING RADAR, X-RAY, OR OTHER APPROVED NON-DESTRUCTIVE METHOD. CONTRACTOR SHALL AVOID DRILLING OR CORING HOLES THAT MAY DAMAGE THESE EMBEDDED ITEMS. NOTIFY THE ENGINEER IF CONFLICTING EMBEDDED ITEMS DO NOT ALLOW INSTALLATION OF POST-INSTALLED ANCHORS IN ACCORDANCE WITH THE CONSTRUCTION DOCUMENTS AND/OR APPROVED SHOP DRAWINGS.

E. INSTALLATION

- 1) ALL DRILLING AND CORING EQUIPMENT AND ALL METHODS FOR INSTALLATION OF POST-INSTALLED ANCHORS AND DOWELS SHALL BE IN ACCORDANCE WITH THE MANUFACTURER'S PRINTED INSTALLATION INSTRUCTIONS (MPII).
- 2) UNLESS SPECIFICALLY SHOWN OTHERWISE, ALL HOLES SHALL BE INSTALLED PERPENDICULAR TO THE CONCRETE OR MASONRY SURFACE.
- 3) ANCHOR CAPACITY IS DEPENDENT UPON SPACING BETWEEN ADJACENT ANCHORS AND PROXIMITY OF ANCHORS TO EDGES OF CONCRETE. INSTALL ANCHORS IN ACCORDANCE WITH SPACING AND EDGE CLEARANCES INDICATED ON THE DRAWINGS. ANCHOR SPACING AND EDGE DISTANCE VALUES SHALL NOT BE LESS THAN RECOMMENDED BY THE ANCHOR MANUFACTURER.

F. SPECIAL INSPECTION REQUIREMENTS

- 1) PER ACI 318-14 SECTION 17.8.2.4, ADHESIVE ANCHORS INSTALLED IN HORIZONTALLY OR UPWARDLY INCLINED ORIENTATIONS SHALL BE CONTINUOUSLY INSPECTED DURING INSTALLATION BY AN INSPECTOR SPECIFICALLY APPROVED FOR THAT PURPOSE BY THE BUILDING OFFICIAL. THE SPECIAL INSPECTOR SHALL FURNISH A REPORT TO THE ENGINEER AND BUILDING OFFICIAL THAT THE WORK COVERED BY THE REPORT HAS BEEN PERFORMED AND THAT THE MATERIALS AND INSTALLATION PROCEDURES USED CONFORM WITH THE APPROVED CONSTRUCTION DOCUMENTS AND THE MANUFACTURER'S PRINTED INSTALLATION INSTRUCTIONS (MPII).
- 2) PERIODIC SPECIAL INSPECTIONS SHALL BE PROVIDED FOR ALL OTHER POST-INSTALLED ANCHORS NOT INCLUDED IN THE NOTE ABOVE.
A) PARAMETERS FOR EXPANSION AND UNDERCUT ANCHORS
B) PARAMETERS FOR ADHESIVE ANCHORS
C) PROOF LOADING OF ADHESIVE ANCHORS
D) CORROSION PROTECTION FOR EXPOSED ANCHORS INTENDED FOR ATTACHMENT WITH FUTURE WORK.

9. STEEL CONSTRUCTION NOTES

A. GOVERNING STANDARDS: ALL STRUCTURAL STEEL SHALL BE DETAILED, FABRICATED, AND ERECTED IN ACCORDANCE WITH THE FOLLOWING STANDARDS AND AS SUPPLEMENTED BY THESE GENERAL NOTES AND THE PROJECT DRAWINGS AND SPECIFICATIONS.

- 1) ANSI/AISC 360-10 "SPECIFICATION FOR STRUCTURAL STEEL BUILDINGS" (JUNE 22, 2010).
- 2) AISC 303-10 "CODE OF STANDARD PRACTICE FOR STEEL BUILDINGS AND BRIDGES" (APRIL 14, 2010).
- 3) ANSI/AWS "D1.1-STRUCTURAL WELDING CODE - STEEL", 2011 EDITION.
- 4) RCSC-2010 "SPECIFICATION FOR STRUCTURAL JOINTS USING HIGH-STRENGTH BOLTS" (DECEMBER 31, 2009).

B. STRUCTURAL BOLTS:

- 1) THE FABRICATOR SHALL RETAIN A PROFESSIONAL ENGINEER WHO IS REGISTERED IN THE STATE IN WHICH THE PROJECT IS LOCATED, WHO SHALL DESIGN ALL CONNECTIONS AND SPLICE CONNECTIONS SHOWN, NOT SHOWN, OR ONLY PARTIALLY DETAILED IN THE DRAWINGS.
- 2) CONNECTIONS SHALL BE DESIGNED TO SUPPORT THE FACTORED END REACTIONS SHOWN ON THE DRAWINGS. WHERE END REACTIONS ARE NOT SHOWN OR OTHERWISE SPECIFIED, CONNECTIONS SHALL BE DESIGNED TO SUPPORT A FACTORED END SHEAR OF THE GREATER OF 10 KIPS OR 50% OF THE TOTAL FACTORED UNIFORM LOAD CAPACITY SHOWN IN THE MANUAL OF STEEL CONSTRUCTION FOR THE GIVEN SHAPE, SPAN AND THE SPECIFIED STEEL.
- 3) IF NOT FULLY DETAILED ON THE DRAWINGS, DESIGN GIRT CONNECTION FOR MINIMUM CONCURRENT REACTIONS OF 10 KIP VERTICAL AND 10 KIP HORIZONTAL (I.E. OUT OF PLANE) UNLESS HIGHER REACTIONS ARE INDICATED ON DRAWINGS.
- 4) ALL CONNECTION PLATES, STIFFENERS AND BOLTS SHOWN ON THE DRAWINGS ARE SCHEMATIC ONLY. FABRICATOR SHALL DESIGN ALL CONNECTIONS, SPLICES, PLATES, GUSSET PLATES, STIFFENERS, BOLTS AND WELDS FOR FORCES INDICATED ON DRAWINGS IN ADDITION TO THE REQUIREMENTS OF THE AISC DESIGN SPECIFICATION (LRFD PROVISIONS). IN ALL CASES, A MINIMUM 3/8" PLATE AND A MINIMUM OF (2) 3/4" DIAMETER A325 BOLTS SHALL BE PROVIDED.
- 5) FULL-DEPTH STIFFENER PLATES IN COLUMNS OR BEAMS SHALL MATCH THE YIELD STRENGTH OF THE BASE MEMBER.

- 6) CONNECTIONS FOR FRAMING MEMBERS WITH BOTH GRAVITY LOADS (REACTIONS) AND AXIAL LOADS OR TRANSFER FORCES (TENSION OR COMPRESSION) SHALL BE DESIGNED FOR THE COMBINED EFFECT OF BOTH LOADS. NOTE THAT BOLTS IN CONNECTIONS WITH AXIAL LOADS SHALL BE EITHER BEARING TYPE IN STANDARD HOLES OR SLIP-CRITICAL TYPE IN SHORT-SLOTTED HOLES.
- 7) THE FABRICATOR SHALL SUBMIT IN A TIMELY MANNER REPRESENTATIVE SAMPLES OF SUBSTANTIATING CONNECTION INFORMATION TO THE OWNER'S REPRESENTATIVE. THE OWNER'S REPRESENTATIVE WILL REVIEW AND CONFIRM IN WRITING THAT THESE REPRESENTATIVE SAMPLES ARE CONSISTENT WITH THE REQUIREMENTS IN THE CONTRACT DOCUMENTS, OR SHALL ADVISE WHAT MODIFICATIONS ARE REQUIRED TO BRING THE REPRESENTATIVE SAMPLES INTO COMPLIANCE WITH THE REQUIREMENTS IN THE CONTRACT DOCUMENTS. THIS INITIAL SUBMITTAL AND REVIEW IS IN ADDITION TO AND SHALL PRECEDE THE SUBMISSION OF COMPLETE SUBSTANTIATING CONNECTION INFORMATION WITH THE SHOP AND ERECTION DRAWINGS.

- 8) COMPLETE SUBSTANTIATING CONNECTION INFORMATION SHALL BE SUBMITTED PRIOR TO OR CONCURRENTLY WITH THE SHOP AND ERECTION DRAWINGS.
A) THE LICENSED PROFESSIONAL ENGINEER IN RESPONSIBLE CHARGE OF THE CONNECTION DESIGN SHALL REVIEW AND CONFIRM IN WRITING AS PART OF THE SUBSTANTIATING CONNECTION INFORMATION, THAT THE SHOP AND ERECTION DRAWINGS PROPERLY INCORPORATE THE CONNECTION DESIGNS.
B) THE FABRICATOR SHALL PROVIDE A MEANS BY WHICH THE SUBSTANTIATING CONNECTION INFORMATION IS REFERENCED TO THE RELATED CONNECTIONS ON THE SHOP AND ERECTION DRAWINGS FOR THE PURPOSE OF REVIEW.
C) SUBMITTALS NOT COMPLYING WITH THESE REQUIREMENTS WILL BE RETURNED UNREVIEWED.
D) IF CONNECTION CALCULATIONS ARE SUBMITTED CONCURRENTLY WITH THE CORRESPONDING SHOP DRAWINGS, THE ENGINEER-OF-RECORD'S REVIEW TIME FOR THE COMBINED SUBMITTAL SHALL BE INCREASED TO THREE (3) WEEKS.

C. STRUCTURAL BOLTS, ANCHOR RODS & BASE PLATES:

- 1) STEEL CONTRACTOR SHALL FURNISH ERECTION BOLTS AS REQUIRED FOR FIELD CONNECTIONS.
- 2) ALL BOLTS SHALL BE 3/4 IN. DIAMETER ASTM A325 WITH SUITABLE WASHERS AND NUTS UNLESS OTHERWISE SHOWN IN THE CONSTRUCTION DOCUMENTS OR APPROVED IN WRITING BY THE OWNER'S REPRESENTATIVE.
- 3) ALL BOLTS SHALL BE TIGHTENED TO THE SNUG-TIGHTENED JOINT REQUIREMENTS OF RCSC-10 EXCEPT AT SLIP-CRITICAL JOINTS OR WHERE NOTED OTHERWISE IN CONSTRUCTION DOCUMENTS OR IN FABRICATOR'S CONNECTION DESIGN.

E. CONCRETE REINFORCING:

- 1) ALL DETAILING, FABRICATION, AND PLACING OF REINFORCING STEEL, UNLESS OTHERWISE NOTED, SHALL FOLLOW ALL SECTIONS OF THE ACI "DETAILING MANUAL-2004" (SP-66-04), THE ACI "BUILDING CODE REQUIREMENTS FOR REINFORCED CONCRETE" (ACI 318-14), AND ALL SECTIONS OF THE CONCRETE REINFORCING STEEL INSTITUTE (CRSI) "MANUAL OF STANDARD PRACTICE."
- 2) UNLESS OTHERWISE NOTED, LAP SPLICES OF DEFORMED REINFORCING BARS SHALL CONFORM TO ACI REQUIREMENTS FOR CLASS B TENSION SPLICES. REFER TO LAP LENGTH SCHEDULES FOR TYPICAL LAP REQUIREMENTS.
- 3) PROVIDE CORNER BARS IN BOTH FACES OF ALL CONTINUOUS FOOTINGS. NUMBER, SIZE, AND SPACING OF CORNER BARS SHALL BE EQUAL TO NUMBER, SIZE AND SPACING OF HORIZONTAL REINFORCING WITH WHICH THEY LAP AND SHALL HAVE CLASS B TENSION LAP SPLICES IN EACH DIRECTION. REFER TO TYPICAL DETAILS FOR ADDITIONAL INFORMATION.
- 4) AT INTERSECTING FOUNDATIONS, EXTEND ALL HORIZONTAL REINFORCING OF THE INTERSECTING MEMBERS BEYOND THE POINT OF INTERSECTION TO THE OPPOSITE FACE. BEND TO A STANDARD 90 DEGREE HOOK OR PROVIDE BENT DOBELS OF EQUAL SIZE AND SPACING AND LAP AS REQUIRED FOR A CLASS B TENSION SPLICE (BUT NOT LESS THAN 12") IN EACH DIRECTION. REFER TO TYPICAL DETAILS FOR ADDITIONAL INFORMATION.
- 5) CONCRETE COVER OVER STEEL REINFORCING FOR CAST-IN-PLACE CONSTRUCTION SHALL CONFORM TO THE TABLE PROVIDED IN THE TYPICAL CONCRETE DETAILS.

F. OPENINGS IN CONCRETE STRUCTURES:

- 1) THE SIZE AND LOCATION OF ALL FLOOR PITTS, TRENCH DRAINS, AND OPENINGS FOR ALL DUCTS AND PIPES THROUGH FLOORS, AND FOUNDATION WORK SHALL BE VERIFIED WITH THE MECHANICAL, PLUMBING, FIRE PROTECTION AND ELECTRICAL CONTRACTOR'S REQUIREMENTS PRIOR TO THE START OF ANY CONCRETE WORK.

G. JOINTS IN CONCRETE CONSTRUCTION:

- 1) CONCRETE SLABS-ON-GRADE: REFER TO SLAB-ON-GRADE CONSTRUCTION NOTES ABOVE FOR INFORMATION REGARDING JOINTS.
- 2) CURING AT CONSTRUCTION JOINTS: CONCRETE POURS EITHER SIDE OF CONSTRUCTION JOINTS SHALL NOT BE CONCURRENT. CONCRETE SHALL BE ALLOWED TO CURE A MINIMUM OF 7 DAYS PRIOR TO PLACEMENT OF ADJACENT CONCRETE.

H. CONCRETE MISCELLANEOUS:

- 1) WATERSTOPS AND WATERPROOFING: ALL CONSTRUCTION JOINTS (VERTICAL AND HORIZONTAL) IN BELOW-GRADE CONCRETE WALLS, TRENCHES AND PITTS SHALL BE KEYED AND HAVE BENTONITE WATERSTOPS INSTALLED UNLESS NOTED OTHERWISE. ALL BELOW-GRADE CONCRETE WALLS, PITTS AND TRENCHES SHALL BE WATERPROOFED AS SHOWN IN ARCHITECTURAL DRAWINGS, UNLESS NOTED OTHERWISE.
- 2) EQUIPMENT PADS: PROVIDE CONCRETE EQUIPMENT PADS OF SIZE REQUIRED FOR EQUIPMENT FURNISHED. SEE MECHANICAL, PLUMBING, FIRE PROTECTION AND ELECTRICAL DRAWINGS FOR NUMBER, SIZE, AND LOCATION OF SUCH PADS. UNLESS OTHERWISE SHOWN, MINIMUM PAD THICKNESS SHALL BE 4" AND SHALL EXTEND A MINIMUM OF 6" BEYOND THE FACE OF THE EQUIPMENT. MINIMUM REINFORCING SHALL BE #4 BARS AT 12" O.C. EACH WAY. TOOLED OR CHAMFERED EDGES SHALL BE PROVIDED AT ALL EQUIPMENT PADS. ANCHORAGE TO SUPPORTING SLAB SHALL BE MADE. REFER TO TYPICAL DETAILS.
- 3) CHAMFERED EDGES: UNLESS NOTED OTHERWISE ON ARCHITECTURAL DRAWINGS, PROVIDE 3/4" CHAMFER ON ALL EXPOSED CONCRETE EDGES.
- 4) SURFACE FINISH: ALL HORIZONTAL CONCRETE SURFACES SHALL HAVE A TROWELED FINISH UNLESS NOTED OTHERWISE IN ARCHITECTURAL DRAWINGS OR FLOORING SPECIFICATIONS.
- 5) MOIST CURING OF SLABS: SLABS-ON-GRADE AND SLABS-ON-DECK SHALL BE WATER CURED FOR A MINIMUM OF 7 DAYS BY PONDING, SPRAYING, SPRINKLING OR BY USE OF SATURATED COVERINGS. CURING COMPOUNDS ARE EXPRESSLY PROHIBITED.

8. POST-INSTALLED ANCHORS AND DOWELS

A. QUALIFICATION REQUIREMENTS FOR INSTALLERS

- 1) CONTRACTOR SHALL REQUEST, SCHEDULE AND FACILITATE THE ANCHOR AND/OR ADHESIVE MANUFACTURER'S REPRESENTATIVE TO PROVIDE ONSITE INSTALLATION TRAINING FOR ALL THE MANUFACTURER'S SPECIFIED ANCHORING PRODUCTS. THE ENGINEER MUST RECEIVE DOCUMENTED CONFIRMATION THAT ALL OF THE CONTRACTOR'S ANCHOR INSTALLATION PERSONNEL ARE TRAINED PRIOR TO COMMENCEMENT OF ANCHOR INSTALLATION OPERATIONS.
- 2) PER ACI 318-14 SECTION 17.8.2.2, INSTALLATION OF ADHESIVE ANCHORS HORIZONTALLY OR UPWARDLY INCLINED SHALL BE PERFORMED BY PERSONNEL CERTIFIED BY AN APPLICABLE CERTIFICATION PROGRAM. CERTIFICATION SHALL INCLUDE WRITTEN AND PERFORMANCE TESTS IN ACCORDANCE WITH THE ACI/CRSI ADHESIVE ANCHOR INSTALLER (AAI) CERTIFICATION PROGRAM, OR EQUIVALENT.

B. QUALIFICATION REQUIREMENTS FOR PRODUCTS

- 1) POST-INSTALLED EXPANSION AND UNDERCUT ANCHORS SHALL MEET THE ASSESSMENT CRITERIA OF ACT 355.2 "QUALIFICATION OF POST-INSTALLED MECHANICAL ANCHORS IN CONCRETE."
- 2) POST-INSTALLED ADHESIVE ANCHORS SHALL MEET THE ASSESSMENT CRITERIA OF ACT 355.4 "QUALIFICATION OF POST-INSTALLED ADHESIVE ANCHORS IN CONCRETE."

C. APPROVED ANCHORING PRODUCTS: THE ANCHORING SYSTEMS SHOWN BELOW HAVE BEEN USED IN THE ANCHOR DESIGNS SHOWN IN THE CONSTRUCTION DOCUMENTS. SUBSTITUTION REQUESTS FOR ALTERNATE PRODUCTS MUST BE APPROVED IN WRITING BY THE ENGINEER OF RECORD PRIOR TO USE. CONTRACTOR SHALL PROVIDE CALCULATIONS DEMONSTRATING THAT THE SUBSTITUTED PRODUCT IS CAPABLE OF ACHIEVING THE PERFORMANCE VALUES OF THE SPECIFIED PRODUCT. SUBSTITUTIONS WILL BE EVALUATED BY THEIR HAVING AN ICC ESR SHOWING COMPLIANCE WITH THE RELEVANT BUILDING CODE FOR SEISMIC USES, LOAD RESISTANCE, INSTALLATION CATEGORY, AND AVAILABILITY OF COMPREHENSIVE INSTALLATION INSTRUCTIONS. ADHESIVE ANCHOR EVALUATION WILL ALSO CONSIDER CREEP, IN-SERVICE TEMPERATURE AND INSTALLATION TEMPERATURE.

1) ANCHORAGE TO CONCRETE

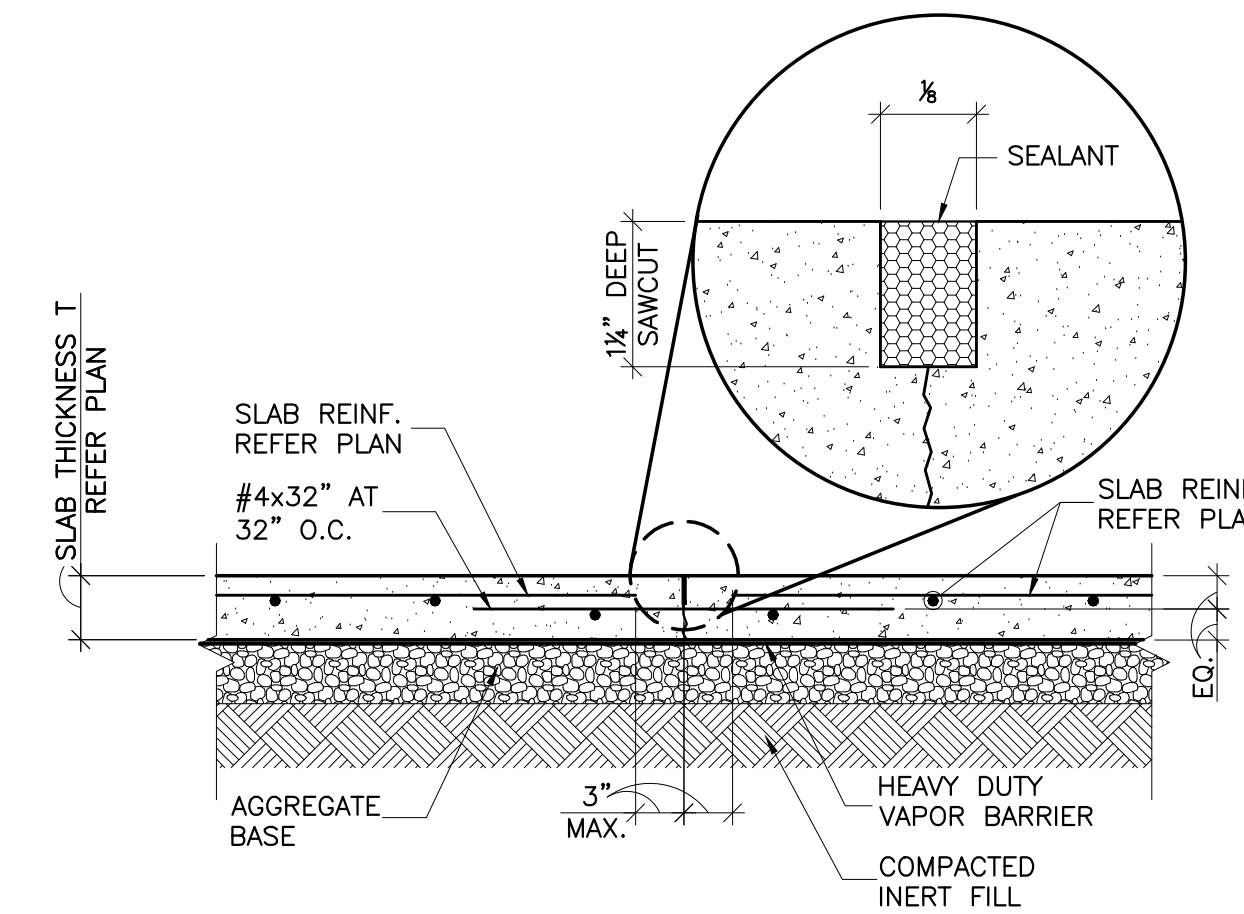
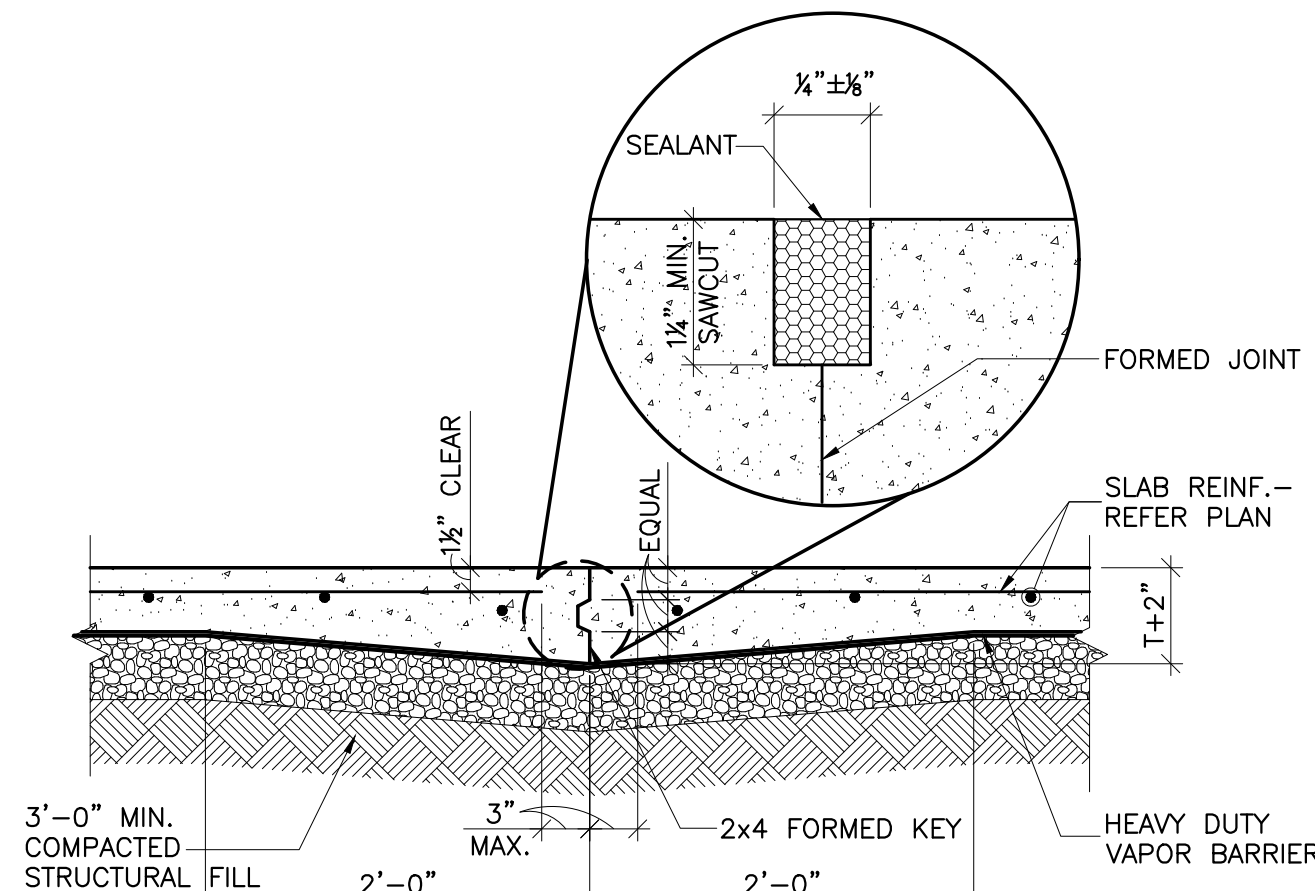
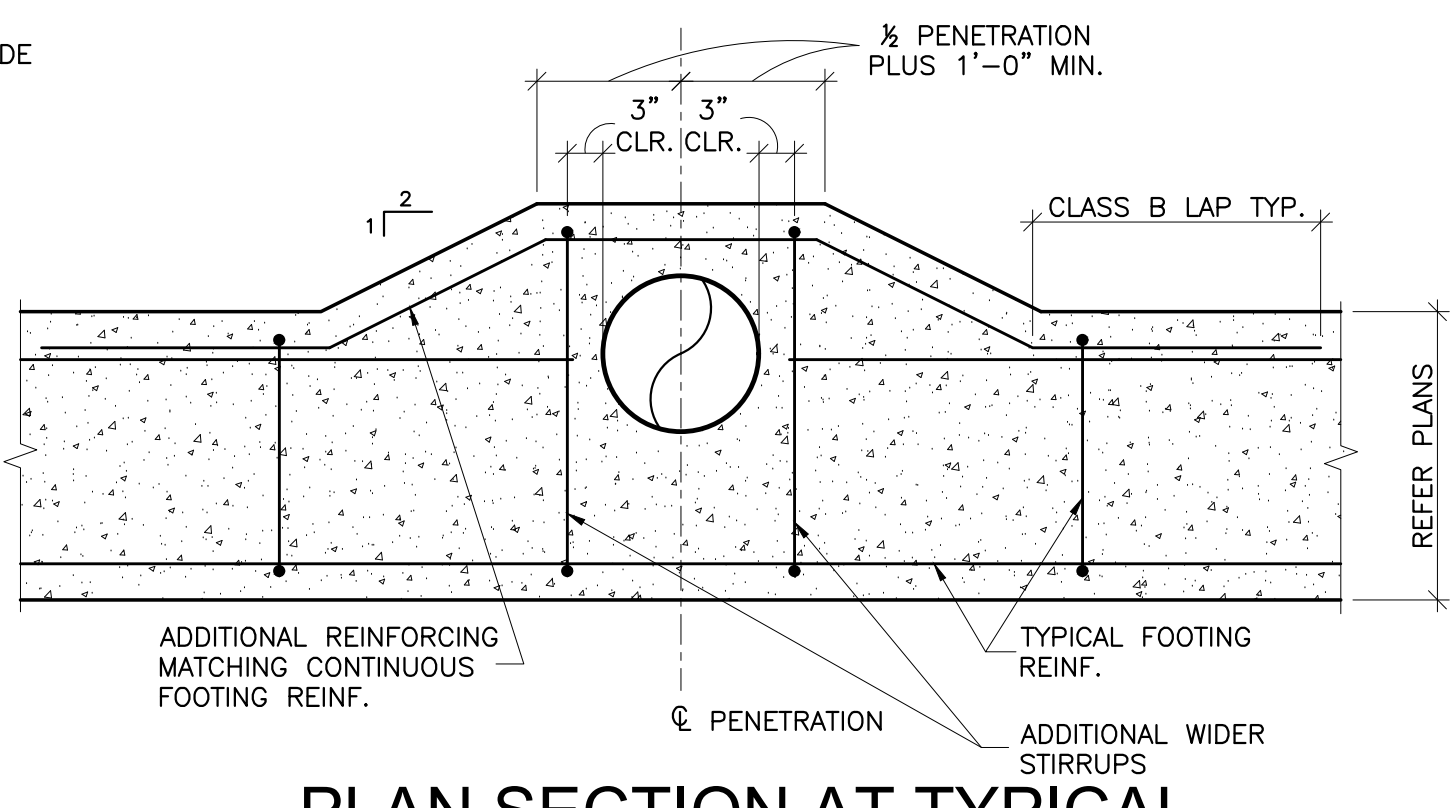
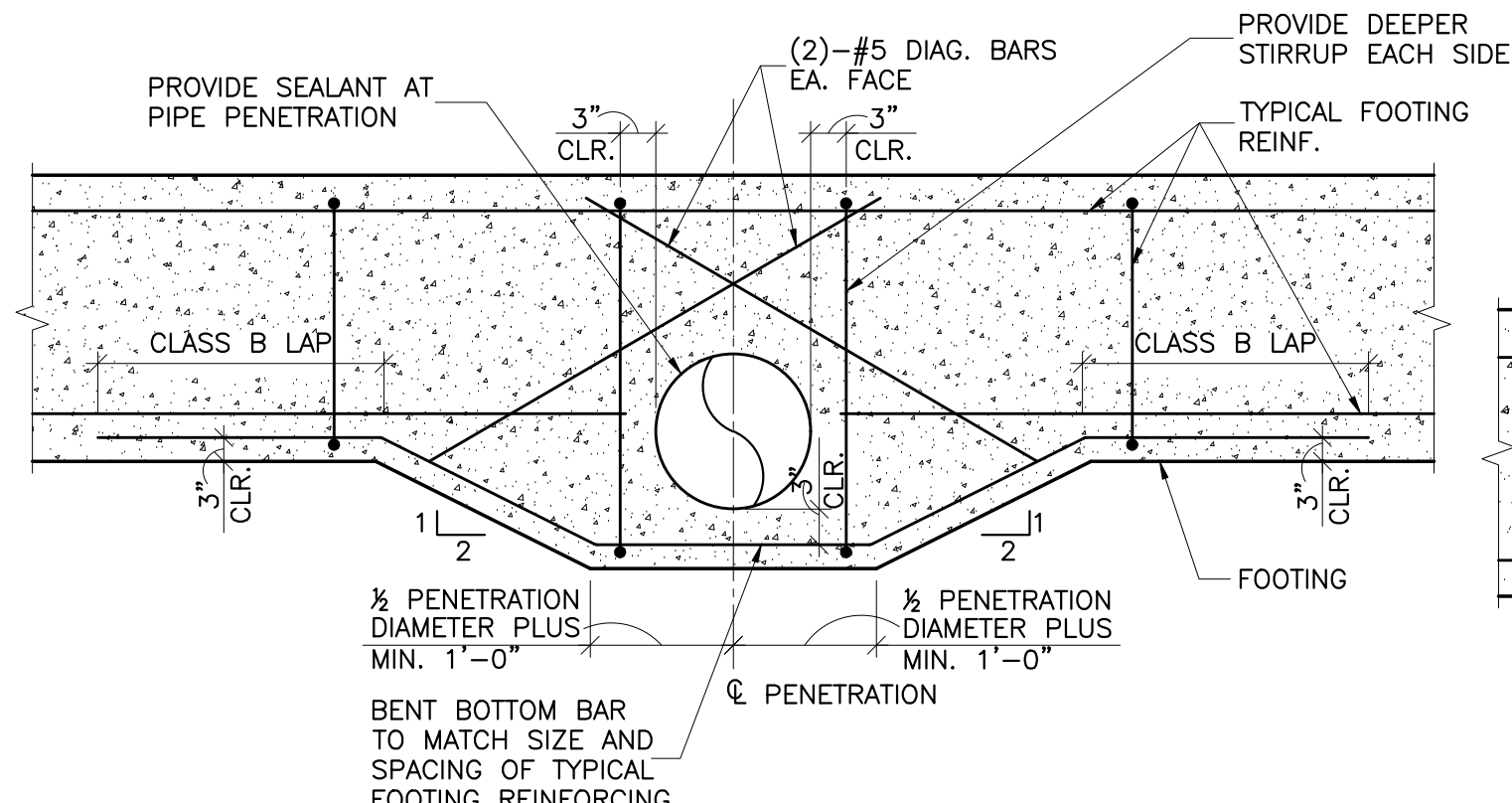
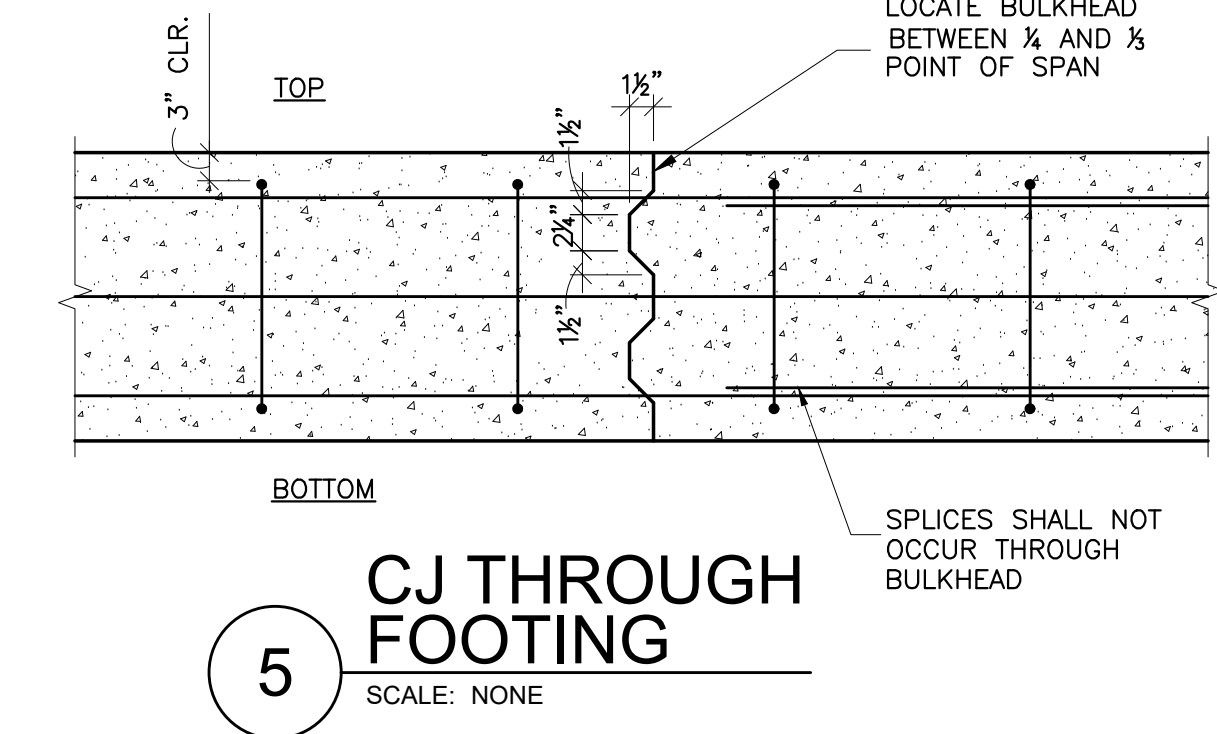
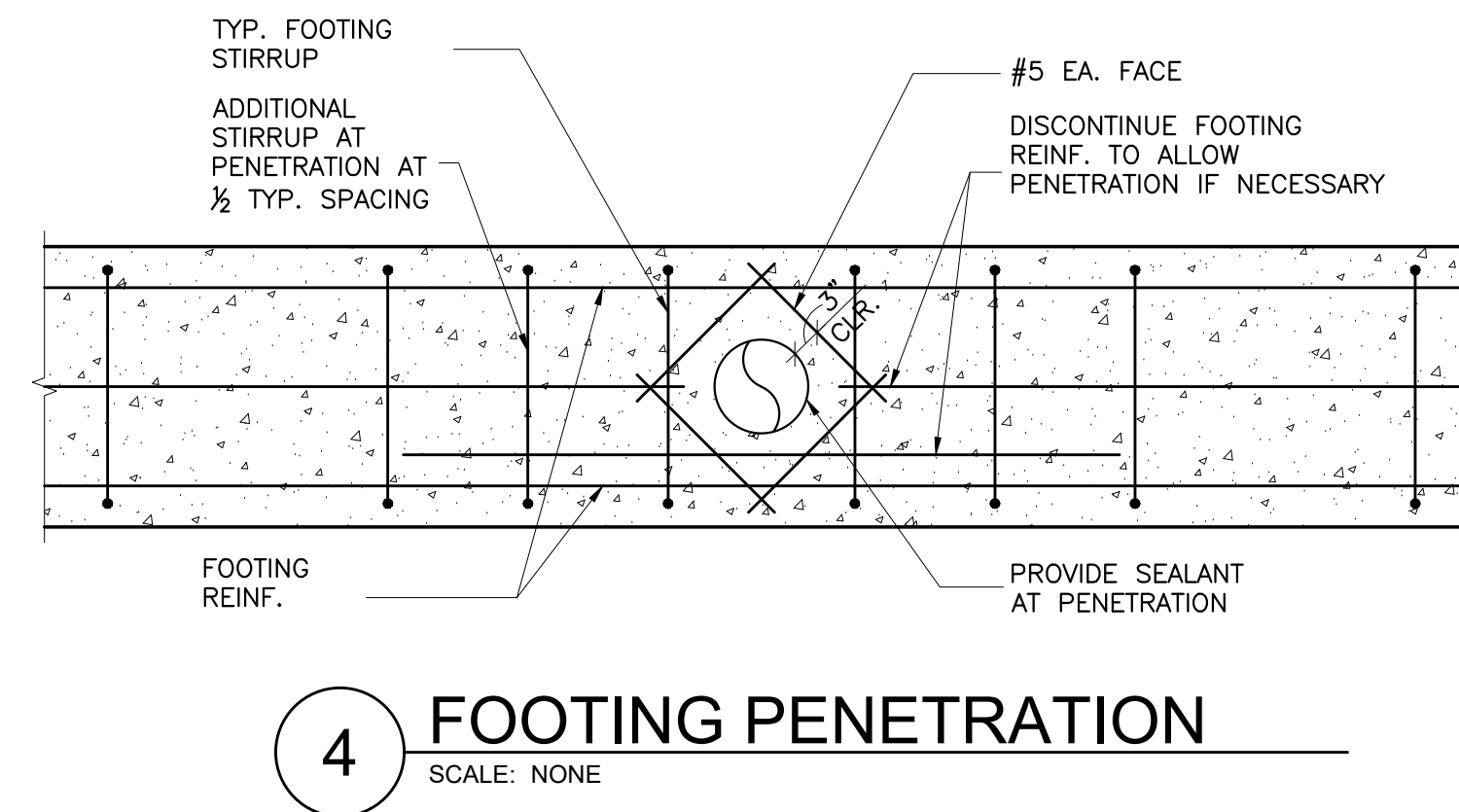
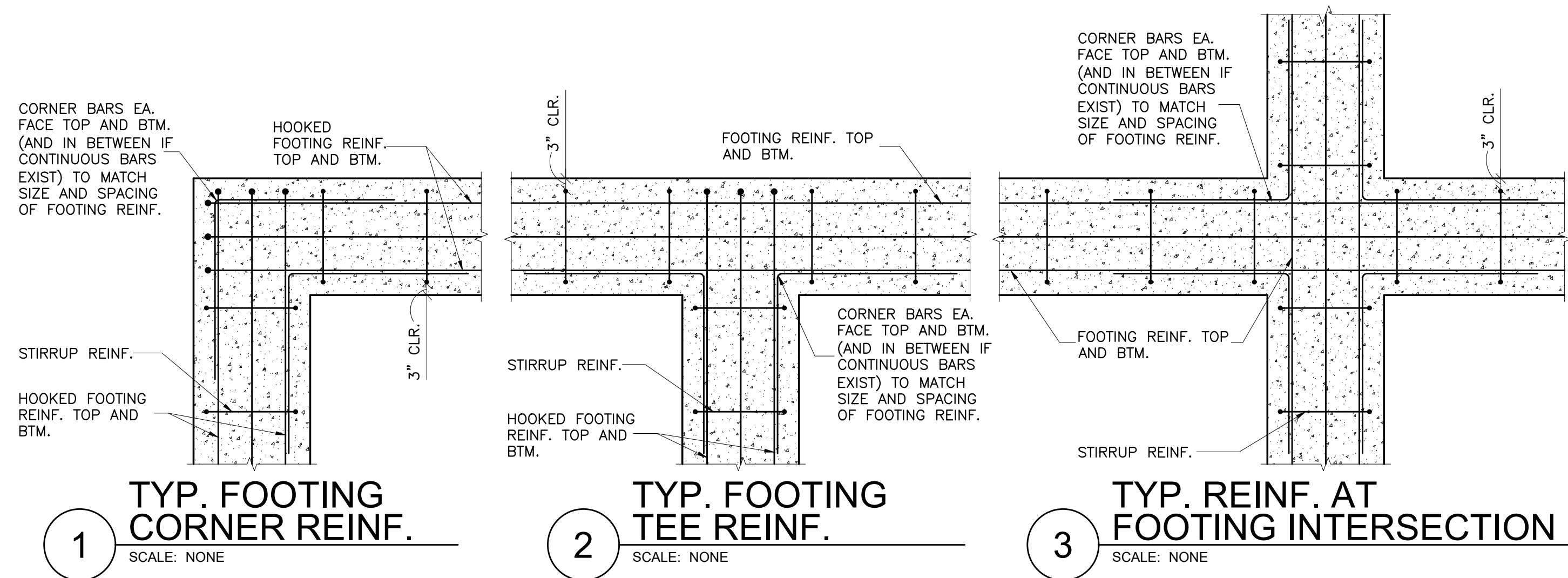
- A) ADHESIVE ANCHORS:
(1) HILTI HIT-HY 200 SYSTEM WITH HILTI HIT-Z ROD OR HAS-E THREADED ROD [ICC ESR-3187].
- B) MEDIUM DUTY MECHANICAL ANCHORS:
(1) HILTI KWIK BOLT 3 EXPANSION ANCHORS (UNCRACKED CONCRETE ONLY) [ICC ESR-2302]

2) REBAR DOWELING INTO CONCRETE

- A) ADHESIVE ANCHORS:
(1) HILTI HIT-HY 200 SYSTEM WITH CONTINUOUSLY DEFORMED REBAR [ICC ESR-3187].

3) ANCHORAGE TO SOLID GROUTED MASONRY

- A) ADHESIVE ANCHORS:
(1) HILTI HIT-HY 270 MASONRY ADHESIVE ANCHORING SYSTEM WITH HILTI HAS-E CONTINUOUSLY THREADED ROD OR CONTINUOUSLY DEFORMED STEEL REBAR [ICC ESR-4143].
- B) MECHANICAL ANCHORS:
(1) HILTI KWIK BOLT-3 EXPANSION ANCHORS [ICC ESR-1385].



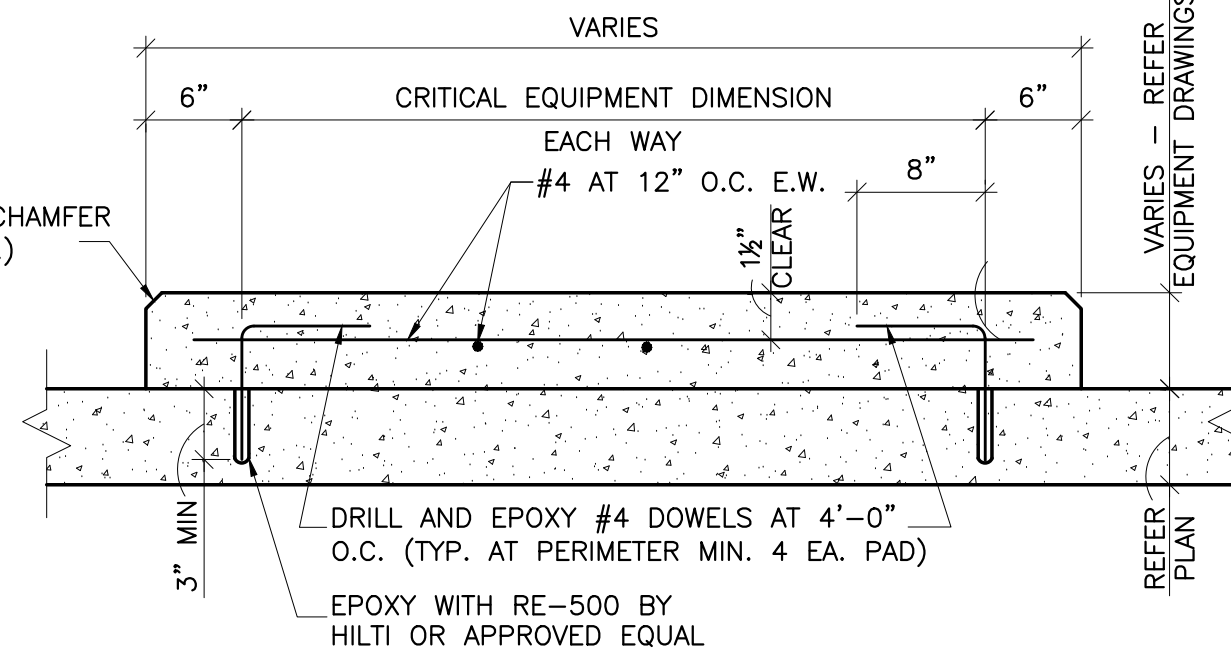
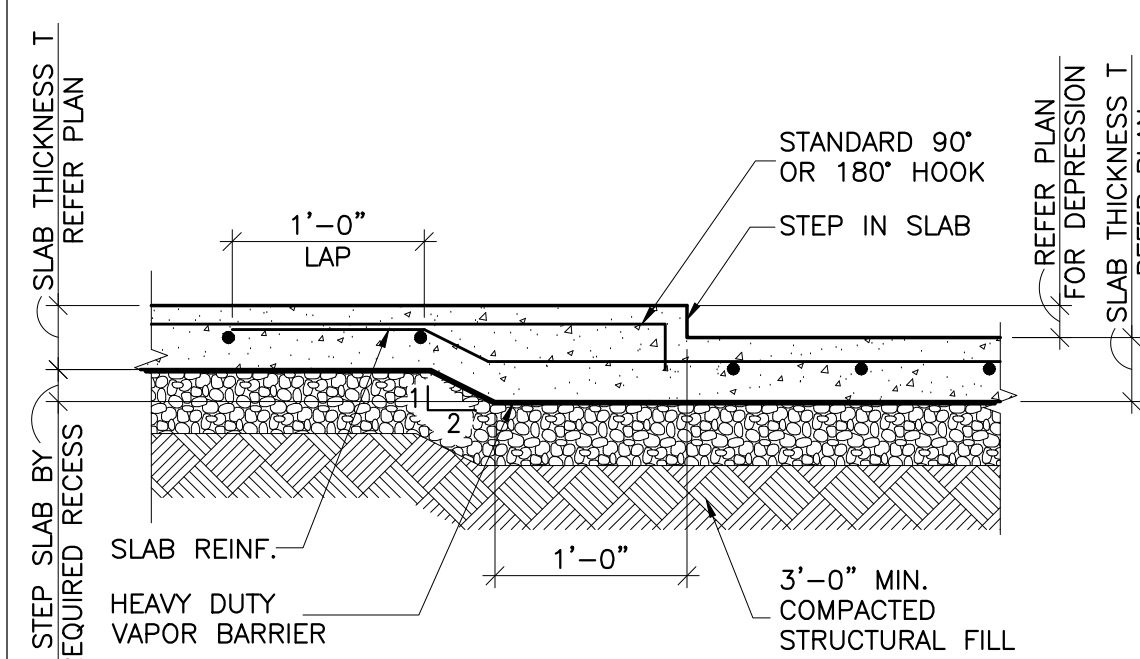
6 TYP. FOOTING PENETRATION
SCALE: NONE

7 PLAN SECTION AT TYPICAL VERTICAL PENETRATION
SCALE: NONE

8 TYP. CONSTRUCTION JOINT (CJ)
SCALE: NONE

9 TYP. SAWED JOINT (SJ)
SCALE: NONE

NOTES:
1. COORDINATE ANCHOR BOLT REQUIREMENTS FOR EQUIPMENT PRIOR TO INSTALLATION OF HOUSEKEEPING PAD.
2. ALLOW PROPER CURE TIME OF EPOXY PRIOR TO PLACEMENT OF CONCRETE.

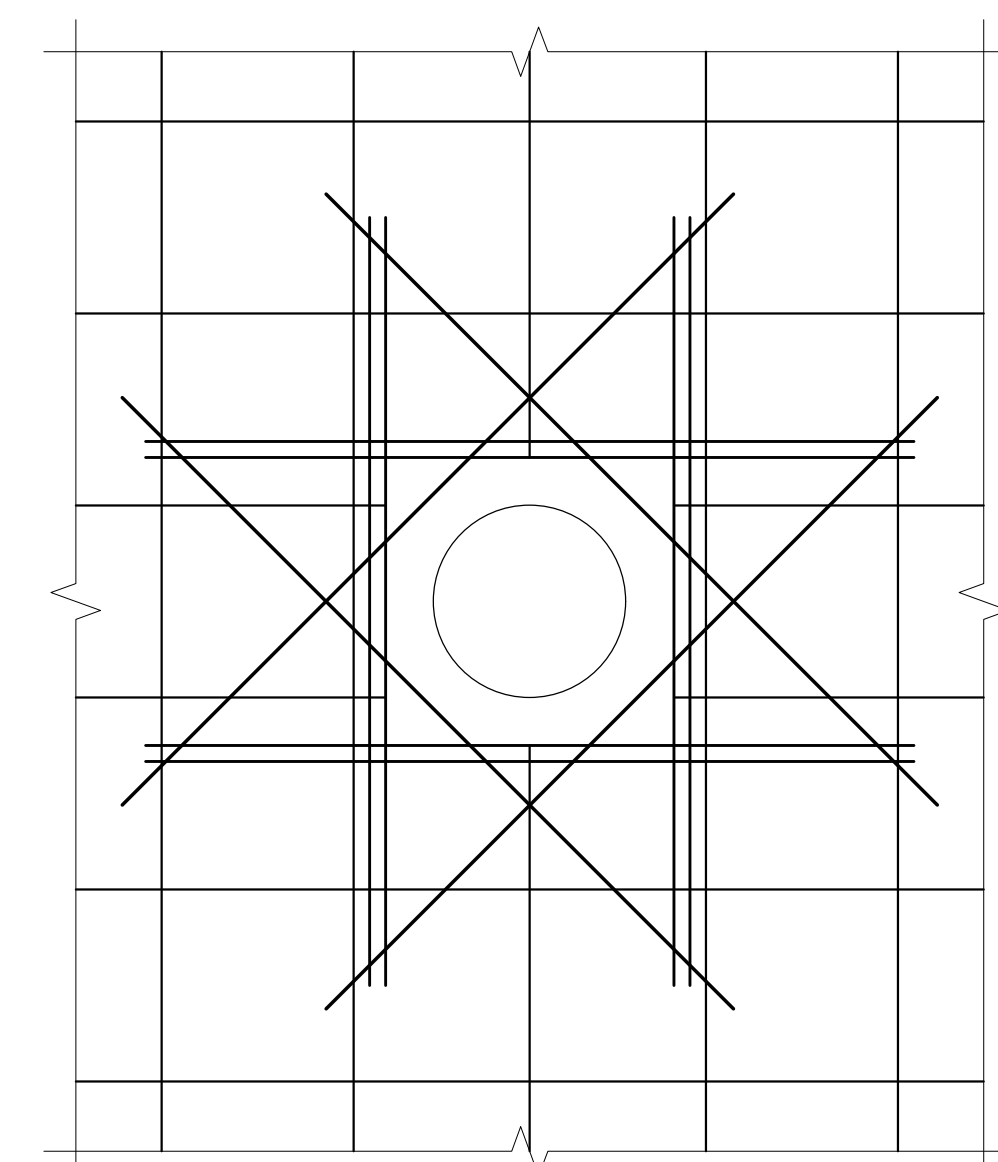


10 TYP. SLAB STEP
SCALE: NONE

11 TYP. HOUSEKEEPING PAD
SCALE: NONE

| CONCRETE EXPOSURE | MEMBER | REINFORCEMENTS | SPECIFIED COVER, IN. |
|---|-------------------------|---|---|
| CAST AGAINST AND PERMANENTLY IN CONTACT WITH GROUND | ALL | ALL | 3 |
| EXPOSED TO WEATHER OR IN CONTACT WITH GROUND | ALL | NO. 6 THROUGH NO. 18 BAR | 2 |
| | | NO. 5 BAR, W31 OR D31 WIRE, AND SMALLER | 1-1/2 |
| NOT EXPOSED TO WEATHER OR IN CONTACT WITH GROUND | SLAB, JOISTS, AND WALLS | NO. 14 AND NO. 18 AND SMALLER | 1-1/2 |
| | | BEAMS, COLUMNS, PEDESTALS, AND TENSION TIES | PRIMARY REINFORCEMENT, STIRRUPS, TIES, SPIRALS, AND HOOPS |

12 TYP. MIN. CONCRETE COVER
SCALE: NONE



REIN. BARS SPACED LESS THAN 12" O.C. TO BE SPREAD WITHOUT INTERRUPTION TO CLEAR PENETRATIONS LESS THAN 12" DIAM. SIZE OF DIAGONAL AND EXTRA PARALLEL BARS TO EQUAL SIZE OF TYPICAL SLAB OR WALL REINFORCING BARS. SEE DESIGN DRAWINGS FOR DIAMETER AND LOCATION OF PENETRATIONS. NUMBER OF EXTRA PARALLEL BARS PLACED EACH WAY AROUND PENETRATION TO BE EQUAL TO NUMBER OF BARS INTERRUPTED. (TYPICAL FOR EACH FACE OF SLAB OR WALL). MINIMUM OF ONE BAR EACH WAY, EACH FACE OF SLAB OR WALL. FOR PENETRATIONS LESS THAN 12", PROVIDE 4-#4x4'-0" DIAGONAL BARS EACH FACE.

13 TYP. PENETRATION THRU CONC. SLAB OR WALL
SCALE: NONE

TENSION DEVELOPMENT AND LAP-SPLICE LENGTHS FOR UNCOATED REINFORCING BARS

| BAR SIZE | LAP CLASS | LAP LENGTH (IN.) PER SPACING AND COVER CASE | | | |
|----------|-----------|---|-----|------------|-----|
| | | f'c=3500 psi (NORMAL WEIGHT) | | | |
| | | TOP BARS | | OTHER BARS | |
| #3 | A | 22 | 32 | 17 | 25 |
| | B | 28 | 42 | 22 | 32 |
| #4 | A | 29 | 43 | 22 | 33 |
| | B | 37 | 56 | 29 | 43 |
| #5 | A | 36 | 54 | 28 | 41 |
| | B | 47 | 70 | 36 | 54 |
| #6 | A | 43 | 64 | 33 | 50 |
| | B | 56 | 84 | 43 | 64 |
| #7 | A | 63 | 94 | 48 | 72 |
| | B | 81 | 122 | 63 | 94 |
| #8 | A | 72 | 107 | 55 | 82 |
| | B | 93 | 139 | 72 | 107 |
| #9 | A | 81 | 121 | 62 | 93 |
| | B | 105 | 157 | 81 | 121 |
| #10 | A | 91 | 136 | 70 | 105 |
| | B | 118 | 177 | 91 | 136 |
| #11 | A | 101 | 151 | 78 | 116 |
| | B | 131 | 196 | 101 | 151 |
| #14 | N/A | 121 | 181 | 93 | 139 |
| #18 | N/A | 161 | 241 | 124 | 186 |

TENSION DEVELOPMENT AND LAP-SPLICE LENGTHS FOR UNCOATED REINFORCING BARS

| BAR SIZE | LAP CLASS | LENGTHS (IN.) PER CONCRETE STRENGTH | | | |
|----------|-----------|-------------------------------------|-----|------------|-----|
| | | f'c=4000 psi (NORMAL WEIGHT) | | | |
| | | TOP BARS | | OTHER BARS | |
| #3 | A | 19 | 28 | 15 | 22 |
| | B | 24 | 36 | 19 | 28 |
| #4 | A | 25 | 37 | 19 | 29 |
| | B | 32 | 48 | 25 | 37 |
| #5 | A | 31 | 47 | 24 | 36 |
| | B | 40 | 60 | 31 | 47 |
| #6 | A | 37 | 56 | 29 | 43 |
| | B | 48 | 72 | 37 | 56 |
| #7 | A | 54 | 81 | 42 | 63 |
| | B | 70 | 106 | 54 | 81 |
| #8 | A | 62 | 93 | 48 | 71 |
| | B | 80 | 121 | 62 | 93 |
| #9 | A | 70 | 105 | 54 | 81 |
| | B | 91 | 136 | 70 | 105 |
| #10 | A | 79 | 118 | 61 | 91 |
| | B | 102 | 153 | 79 | 118 |
| #11 | A | 87 | 131 | 67 | 101 |
| | B | 113 | 170 | 87 | 131 |
| #14 | N/A | 105 | 157 | 81 | 121 |
| #18 | N/A | 139 | 209 | 107 | 161 |

14 REINFORCING LAP LENGTHS
SCALE: NONE

NOTES: 1 in.=25.4 mm.
1. TABULATED VALUES ARE BASED ON GRADE 60 REINFORCING BARS AND NORMAL WEIGHT CONCRETE. LENGTHS ARE IN INCHES.
2. TENSION DEVELOPMENT LENGTHS AND TENSION LAP-SPLICE LENGTHS ARE CALCULATED PER ACI 318, SECTIONS 25.4 AND 25.5, RESPECTIVELY. TABULATED VALUES FOR BEAMS OR COLUMNS ARE BASED ON TRANSVERSE REINFORCEMENT AND CONCRETE COVER MEETING MINIMUM CODE REQUIREMENTS.
3. CASES 1 AND 2, WHICH DEPEND ON THE TYPE OF STRUCTURAL ELEMENT, CONCRETE COVER, AND CENTER-TO-CENTER SPACING OF THE BARS, ARE DEFINED AS: BEAMS OR COLUMNS: CASE 1-COVER AT LEAST 1.0d, AND CENTER-TO-CENTER SPACING AT LEAST 2.0d, AND CASE 2-COVER LESS THAN 1.0d, OR CENTER-TO-CENTER SPACING LESS THAN 2.0d, ALL OTHERS: CASE 1-COVER AT LEAST 1.0d, AND CENTER-TO-CENTER SPACING AT LEAST 3.0d, CASE 2-COVER LESS THAN 1.0d, OR CENTER-TO-CENTER SPACING LESS THAN 3.0d.
4. LAP SPLICE LENGTHS ARE MULTIPLES OF TENSION DEVELOPMENT LENGTHS; CLASS A=1.0d AND CLASS B=1.3d (ACI 318, SECTION 25.5.2).
5. ACI 318 DOES NOT ALLOW TENSION LAP SPLICES OF #14 OR #18 BARS. THE TABULATED VALUES FOR THOSE BAR SIZES ARE THE TENSION DEVELOPMENT LENGTHS.
6. TOP BARS ARE HORIZONTAL BARS WITH MORE THAN 12 in. OF CONCRETE CAST BELOW THE BARS.
7. FOR LIGHTWEIGHT-AGGREGATE CONCRETE, MULTIPLY THE TABULATED VALUES BY 1.3.



CJC
drawn by
BWB
checked by
MARCH 2023
date

revisions

MOORE PUBLIC SCHOOLS
BOARD OF EDUCATION
MOORE, OKLAHOMA



OFFICE
ADDITION -
SOUTHGATE
ELEMENTARY SCHOOL

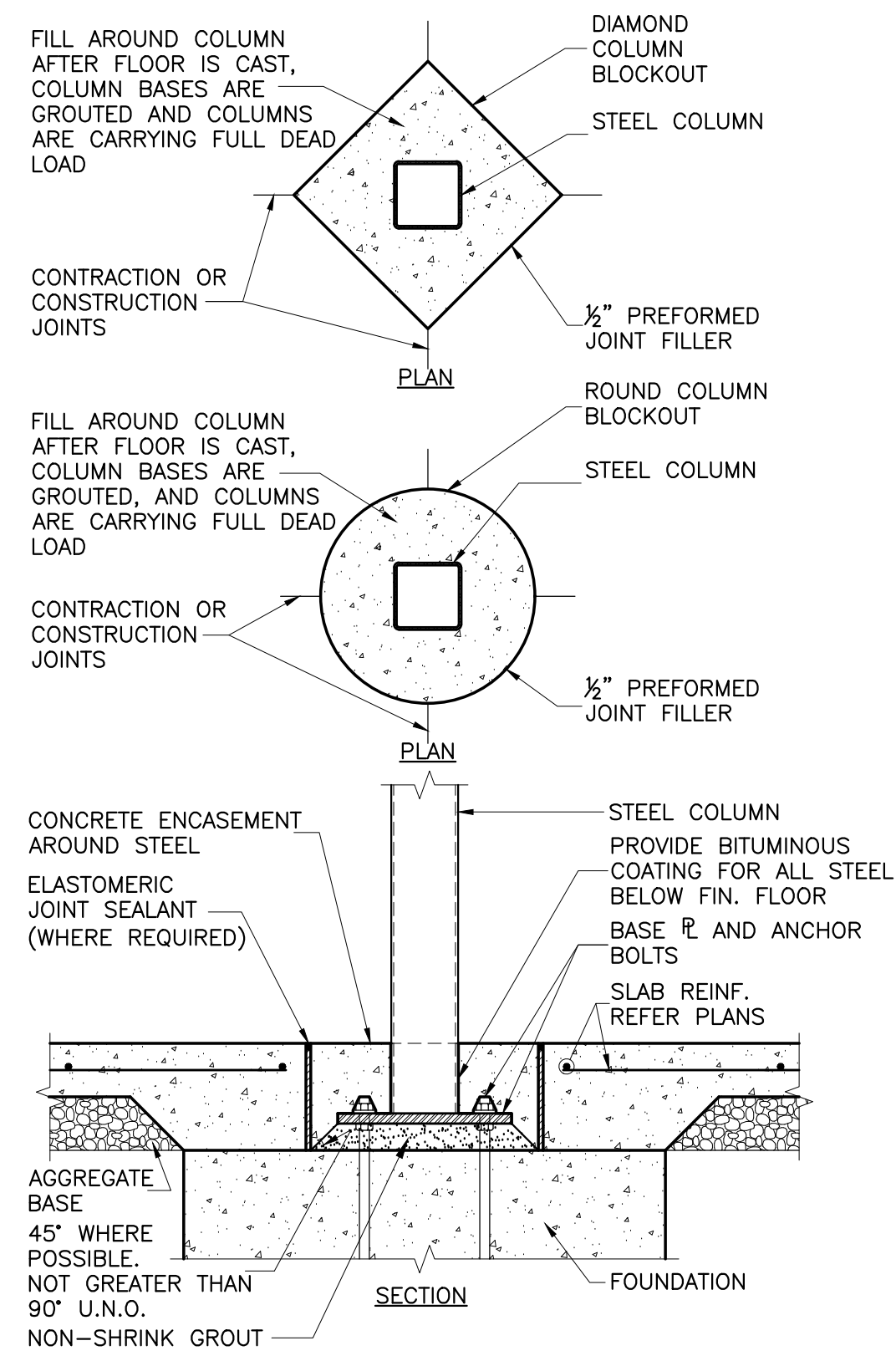
sheet no.

S102

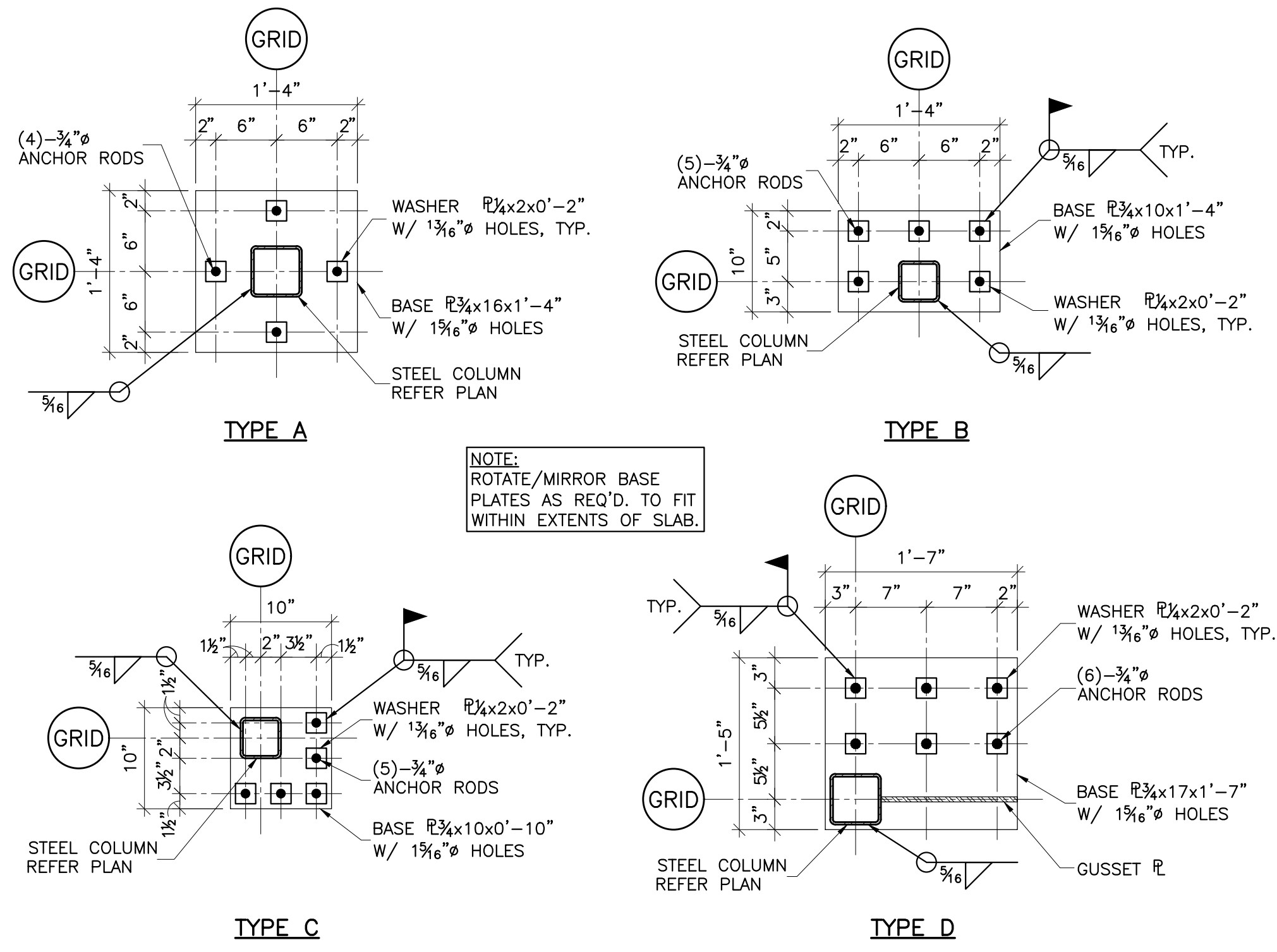
OWNERSHIP USE OF DOCUMENTS:

AGP EXPRESSLY RESERVES ITS COPYRIGHT AND OTHER PROPERTY RIGHTS OF ALL PLANS AND DRAWINGS DESIGNED AND/OR PRODUCED. PLANS AND DRAWINGS ARE NOT TO BE REPRODUCED IN ANY FORM OR MANNER WITHOUT THE EXPRESSED WRITTEN CONSENT OF AGP.





1 TYP. ISOLATION JOINT DETAILS
SCALE: NONE



2 BASE PLATE DETAILS
SCALE: NONE

3/4" A325-N BOLT SCHEDULE FOR SINGLE PLATE SHEAR TAB CONNECTIONS (FACTORED LOADS)

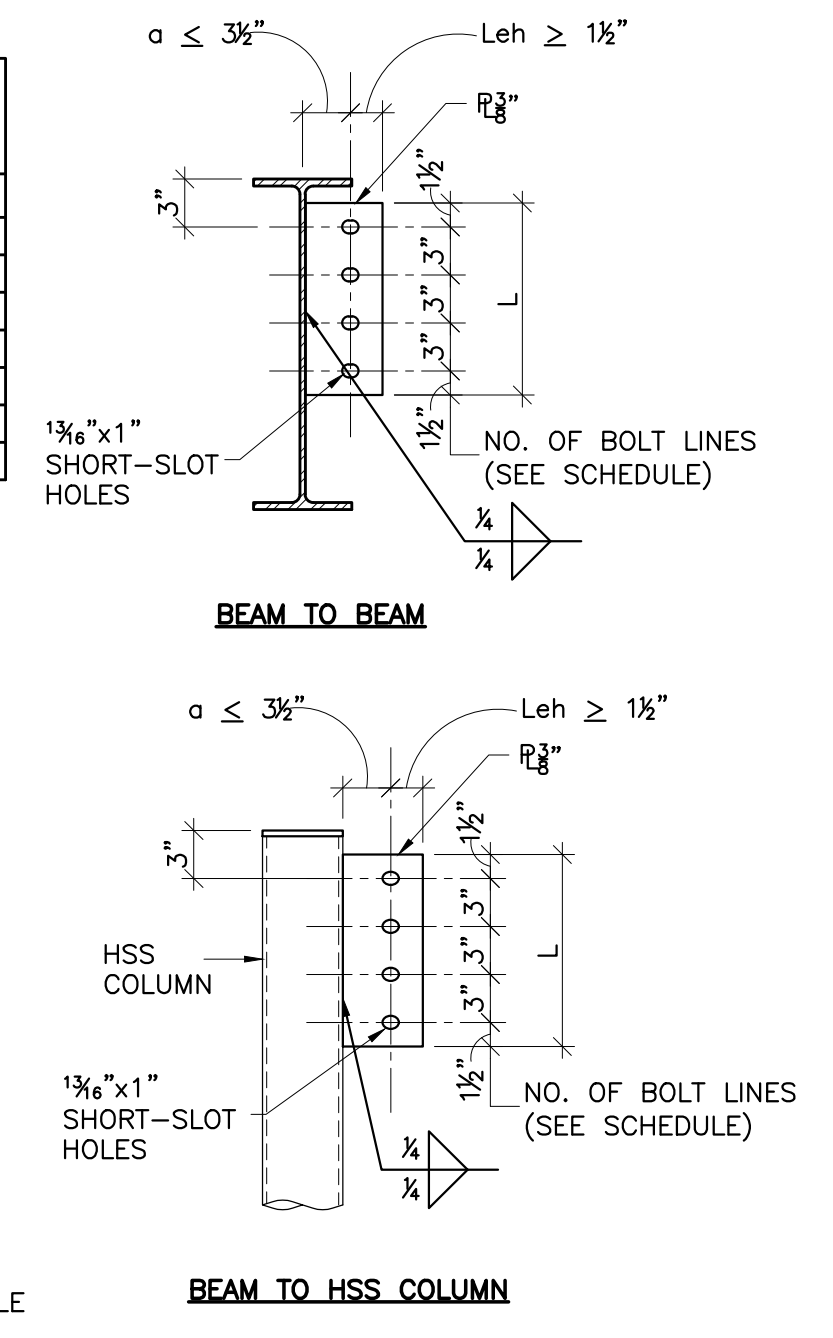
| END REACTION | NO. OF BOLTS |
|---------------------|--------------|
| 0 THRU 24.8 KIPS | 2-3/4" |
| 24.9 THRU 43.4 KIPS | 3-3/4" |
| 43.5 THRU 62.5 KIPS | 4-3/4" |
| 62.6 THRU 81.3 KIPS | 5-3/4" |
| 81.4 THRU 100 KIPS | 6-3/4" |
| 101 THRU 118 KIPS | 7-3/4" |
| 119 THRU 137 KIPS | 8-3/4" |

NOTES:

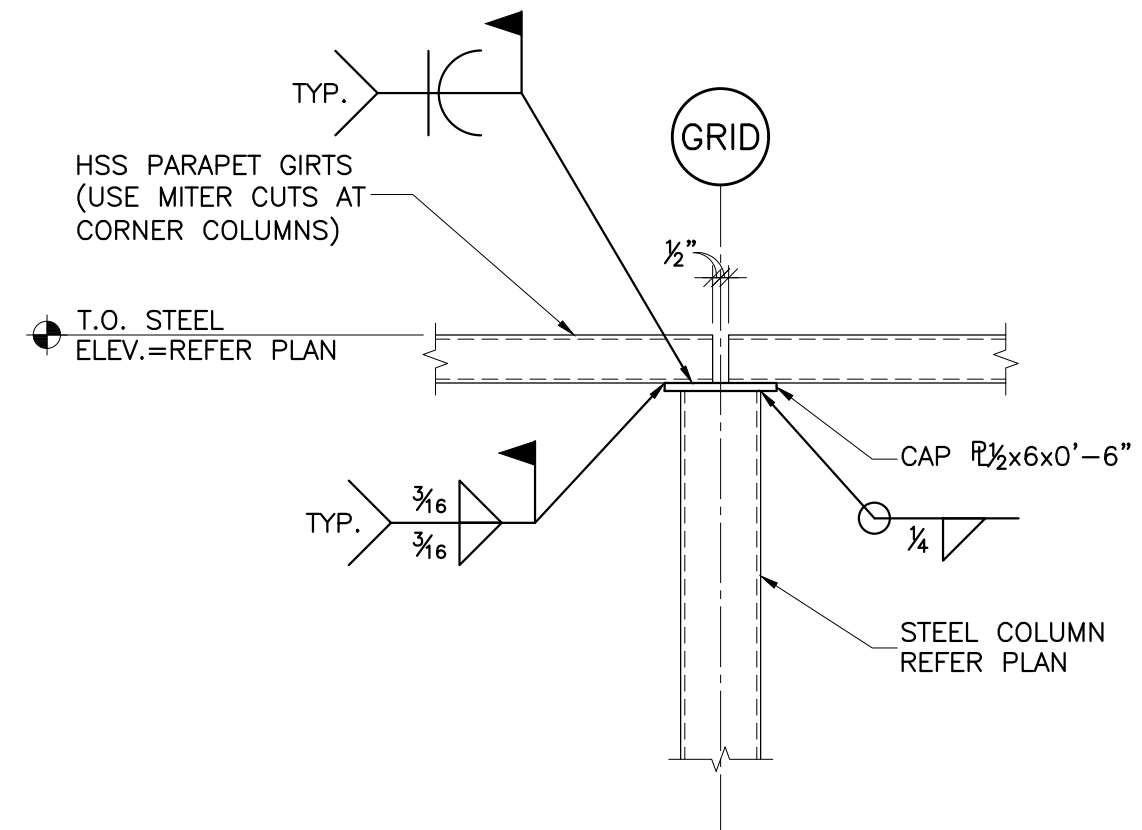
- VALUES SHOWN ARE APPLICABLE FOR SINGLE PLATE SHEAR TAB CONNECTIONS
- SEE PLAN FOR END REACTIONS
- L = PLATE LENGTH ≥ 1/2 OF CONNECTED BEAM.
- AT HSS OR PIPE COLUMNS, A THROUGH-PLATE WITH EQUAL WELD ON THE BACK SIDE OF THE COLUMN IS REQUIRED UNDER EITHER OF THE FOLLOWING CIRCUMSTANCES:
 - A. FOR SQUARE OR RECTANGULAR HSS: WHEN $\frac{R_u}{0.85F_y} > 35.1$
 - B. FOR ROUND HSS OR PIPE: WHEN $\frac{R_u}{F_y} > 3.190 \frac{D}{t}$

WHERE:

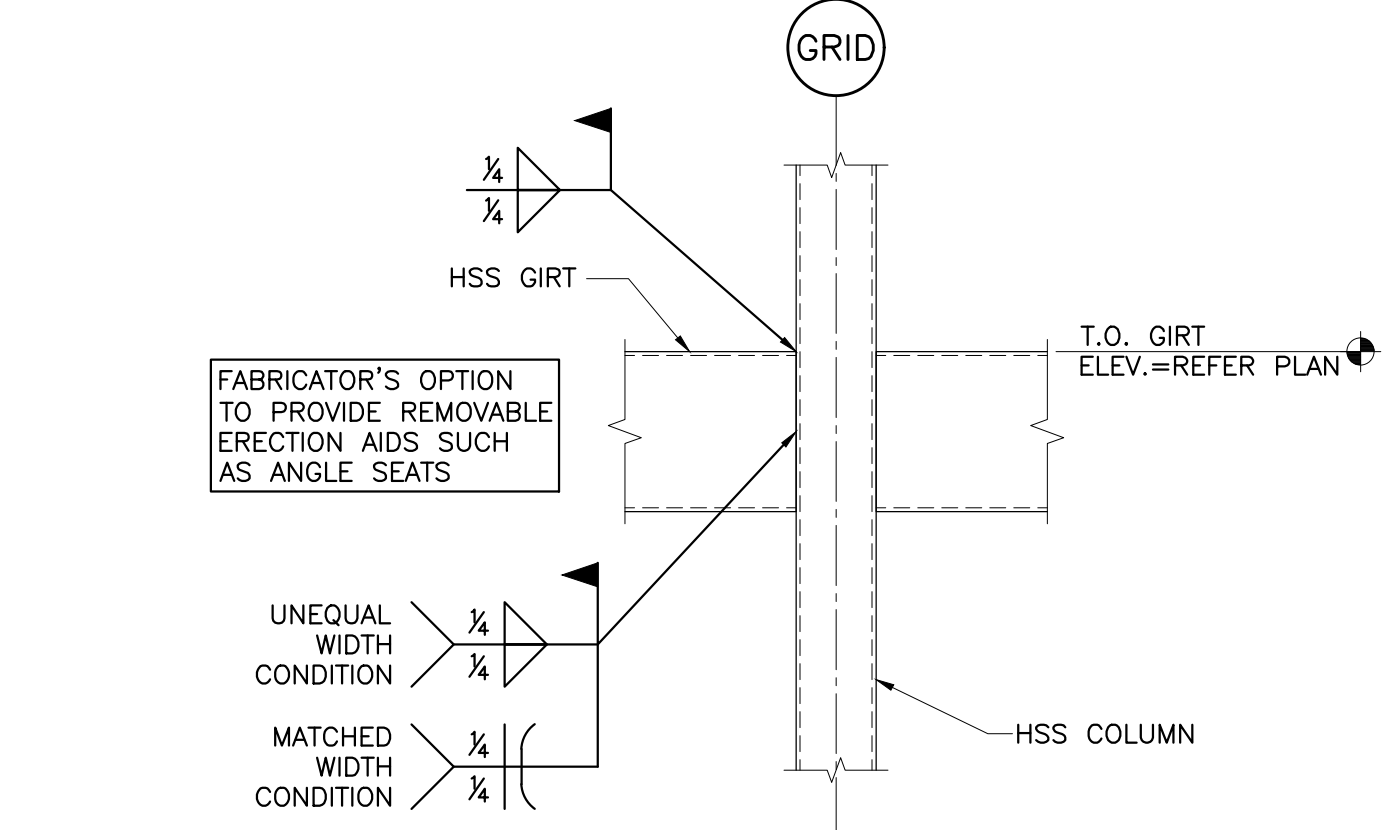
- B = NOMINAL COLUMN WIDTH ACROSS THE COLUMN FACE WITH THE SINGLE PLATE CONNECTION, IN.
- D = OUTSIDE DIAMETER OF ROUND HSS OR PIPE, IN.
- t = NOMINAL THICKNESS OF COLUMN, IN.
- F_y = YIELD STRENGTH OF COLUMN, KSI



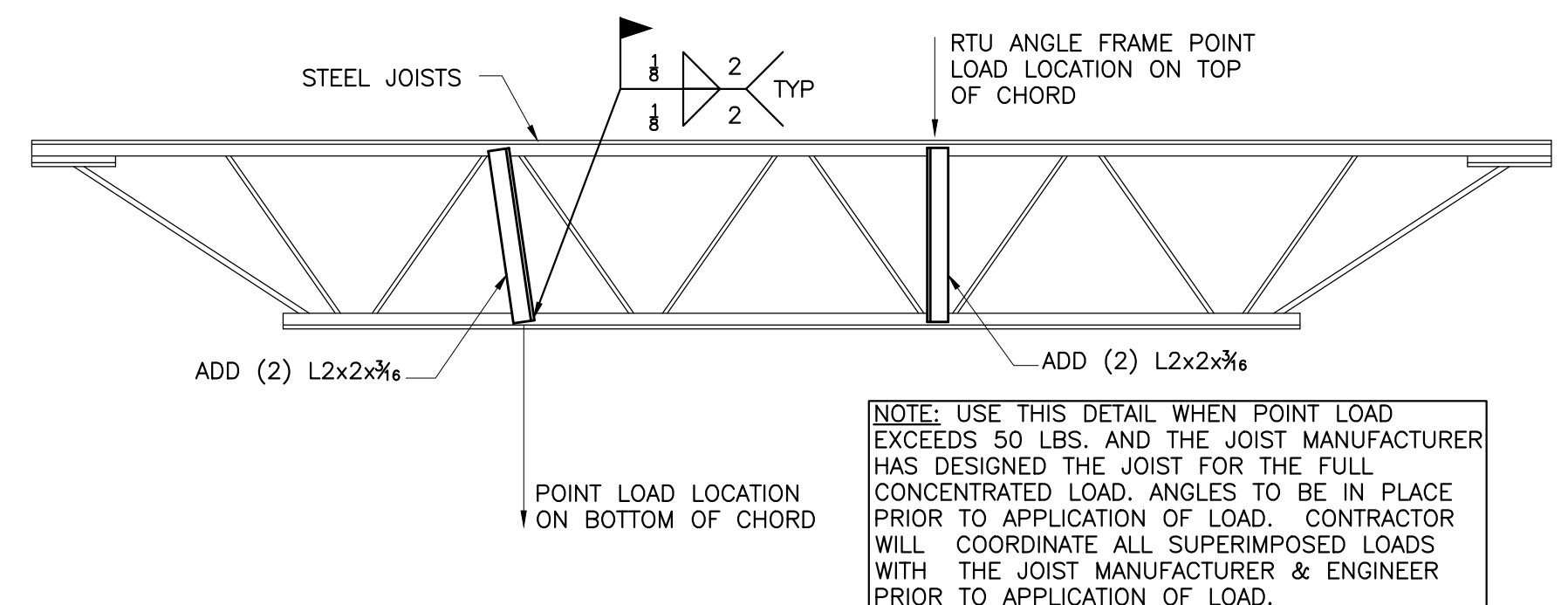
3 SINGLE PLATE SHEAR TAB CONNECTIONS (LRFD-AISC 14TH EDITION MANUAL)
SCALE: NONE



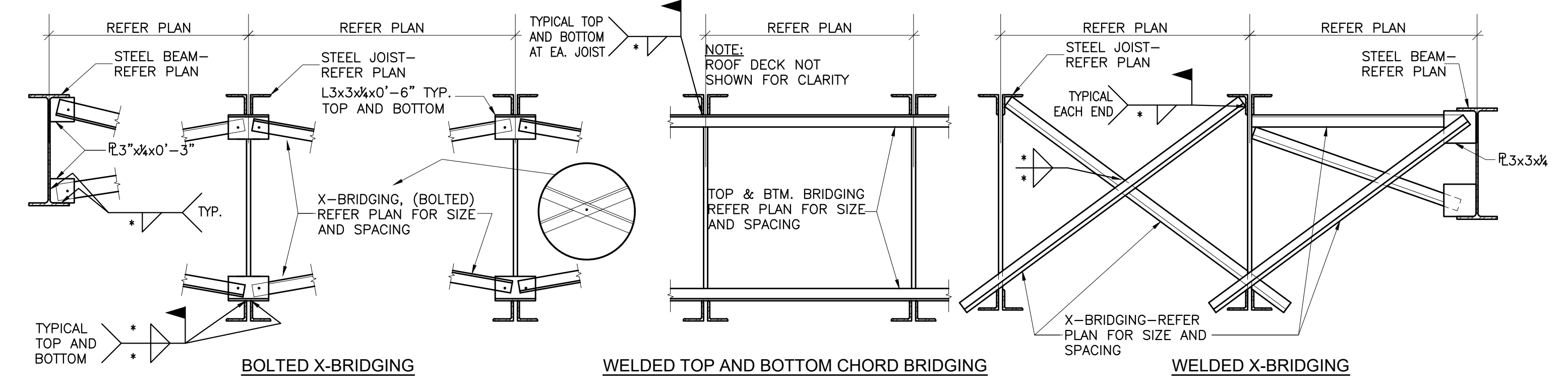
4 TYP. PARAPET GIRTS TO COLUMN
SCALE: NONE



5 TYP. HSS GIRTS TO HSS COLUMN CONNX.
SCALE: NONE



6 BRACING DETAIL FOR STEEL JOISTS W/ POINT LOADS
SCALE: NONE



7 TYP. BRIDGING DETAILS AT JOISTS
SCALE: NONE

*WELD AS REQUIRED BY JOIST MANUFACTURER

AGP
the Abila Griffin Partnership L.L.C.

201 N. BROADWAY
SUITE 210
MOORE, OK. 73160
405.735.3477
AGP@theAGP.net
www.theAGP.net

KFC ENGINEERING
STRUCTURAL

SALAS O'BRIEN
MECHANICAL / ELECTRICAL



CJC
drawn by

BWB
checked by

MARCH 2023
date

revisions

MOORE PUBLIC SCHOOLS
BOARD OF EDUCATION
MOORE, OKLAHOMA



OFFICE
ADDITION -
SOUTHGATE
ELEMENTARY SCHOOL

sheet no:

S103

KFC engineering
Kirkpatrick Forest Curtis PC
Structural Engineering
OK CA #3888, EXP. 06/30/25
525 Central Park Drive, Suite 202
Oklahoma City, OK 73105
405.528.4596 | kfcengr.com

OWNERSHIP USE OF DOCUMENTS:
AGP EXPRESSLY RESERVES ITS
COPYRIGHT AND OTHER PROPERTY
RIGHTS OF ALL PLANS AND DRAWINGS
DESIGNED AND/OR PRODUCED. PLANS
AND DRAWINGS ARE NOT TO BE
REPRODUCED IN ANY FORM OR MANNER
WITHOUT THE EXPRESSED WRITTEN
CONSENT OF AGP.

1. STATEMENT OF SPECIAL INSPECTIONS NOTES:

A. THIS STATEMENT OF SPECIAL INSPECTIONS IS INCLUDED AS REQUIRED BY CHAPTER 17 OF 2015 INTERNATIONAL BUILDING CODE AND AISC 360.

B. SPECIAL INSPECTIONS SHALL CONFORM TO CHAPTER 17 OF THIS SHEET, SPECIFICATIONS, AISC 360, AND 2015 INTERNATIONAL BUILDING CODE. GENERAL REQUIREMENTS ARE LISTED BELOW AND IN THE ATTACHED INSPECTION TABLES.

C. REFER TO PROJECT SPECIFICATIONS FOR ADDITIONAL SPECIAL INSPECTION REQUIREMENTS. IF CONFLICTING REQUIREMENTS ARE FOUND BETWEEN STATEMENTS OF SPECIAL INSPECTIONS AND THE PROJECT SPECIFICATIONS, THE MORE STRINGENT PROVISION SHALL CONTROL UNLESS DIRECTED OTHERWISE IN WRITING BY THE STRUCTURAL ENGINEER OF RECORD.

D. THE GENERAL CONTRACTOR SHALL EMPLOY ONE OR MORE SPECIAL INSPECTORS FOR THIS PROJECT. THE SPECIAL INSPECTOR SHALL BE A QUALIFIED PERSON WHO SHALL DEMONSTRATE COMPETENCE TO THE SATISFACTION OF THE BUILDING OFFICIAL, FOR THE INSPECTION OF THE PARTICULAR TYPE OF CONSTRUCTION OR OPERATION REQUIRING SPECIAL INSPECTION.

E. THE SPECIAL INSPECTOR SHALL PROVIDE WRITTEN DOCUMENTATION TO THE BUILDING OFFICIAL DEMONSTRATING HIS OR HER COMPETENCE AND RELEVANT EXPERIENCE OR TRAINING. EXPERIENCE OR TRAINING SHALL BE CONSIDERED RELEVANT WHEN THE DOCUMENTED EXPERIENCE OR TRAINING IS RELATED IN COMPLEXITY TO THE SAME TYPE OF SPECIAL INSPECTION ACTIVITIES FOR PROJECTS OF SIMILAR COMPLEXITY AND MATERIAL QUALITIES.

F. THE SPECIAL INSPECTOR SHALL PROVIDE CONTINUOUS OR PERIODIC INSPECTIONS AS SHOWN IN THE ATTACHED INSPECTION TABLES

- 1) CONTINUOUS INSPECTION: THE SPECIAL INSPECTOR SHALL BE PRESENT AT ALL PROCEDURAL EVENTS.
- 2) PERIODIC INSPECTION: THE SPECIAL INSPECTOR SHALL BE PRESENT AT THE START OF THE WORK AND PERIODIC INSPECTION IS MADE TO VERIFY PROGRESS OF WORK IS IN COMPLIANCE.

G. INSPECTION OF FABRICATORS: WHERE FABRICATION OF STRUCTURAL LOADBEARING MEMBERS AND ASSEMBLIES IS BEING PERFORMED ON THE PREMISES OF A FABRICATOR'S SHOP, SPECIAL INSPECTION OF THE FABRICATED ITEMS SHALL BE REQUIRED BY SECTION 1704.2 OF THE 2009 INTERNATIONAL BUILDING CODE AND SECTION 1704.2.5 OF THE 2015 INTERNATIONAL BUILDING CODE AND AS REQUIRED ELSEWHERE IN THE CODE.

H. FABRICATOR APPROVAL: SPECIAL INSPECTIONS REQUIRED BY SECTION 1704 ARE NOT REQUIRED WHERE THE WORK IS DONE ON THE PREMISES OF A FABRICATOR REGISTERED AND APPROVED TO PERFORM SUCH WORK WITHOUT SPECIAL INSPECTION. APPROVAL SHALL BE BASED UPON REVIEW OF THE FABRICATOR'S WRITTEN PROCEDURAL AND QUALITY CONTROL MANUALS AND PERIODIC AUDITING OF FABRICATION PRACTICES BY AN APPROVED SPECIAL INSPECTION AGENCY. AT COMPLETION OF FABRICATION, THE APPROVED FABRICATOR SHALL SUBMIT A CERTIFICATE OF COMPLIANCE TO THE BUILDING OFFICIAL STATING THAT THE WORK WAS PERFORMED IN ACCORDANCE WITH THE APPROVED CONSTRUCTION DOCUMENTS.

I. REPORT REQUIREMENTS: SPECIAL INSPECTORS SHALL KEEP RECORDS OF INSPECTIONS. THE SPECIAL INSPECTOR SHALL FURNISH INSPECTION REPORTS TO THE BUILDING OFFICIAL, AND TO THE REGISTERED DESIGN PROFESSIONAL IN RESPONSIBLE CHARGE. REPORTS SHALL INDICATE THAT WORK INSPECTED WAS OR WAS NOT COMPLETED IN CONFORMANCE TO APPROVED CONSTRUCTION DOCUMENTS. DISCREPANCIES SHALL BE BROUGHT TO THE IMMEDIATE ATTENTION OF THE CONTRACTOR FOR CORRECTION. IF THEY ARE NOT CORRECTED, THE DISCREPANCIES SHALL BE BROUGHT TO THE ATTENTION OF THE BUILDING OFFICIAL AND TO THE REGISTERED DESIGN PROFESSIONAL IN RESPONSIBLE CHARGE PRIOR TO THE COMPLETION OF THAT PHASE OF THE WORK. A FINAL REPORT DOCUMENTING REQUIRED SPECIAL INSPECTIONS AND CORRECTION OF ANY DISCREPANCIES NOTED IN THE INSPECTIONS SHALL BE SUBMITTED AT A POINT IN TIME AGREED UPON PRIOR TO THE START OF WORK BY THE APPLICANT AND THE BUILDING OFFICIAL.

J. THE CONTRACTOR IS RESPONSIBLE FOR PROVIDING REASONABLE NOTICE TO THE SPECIAL INSPECTOR(S) REGARDING WHEN ELEMENTS OF THE PROJECT WILL BE READY FOR EFFICIENT IMPLEMENTATION OF SPECIAL INSPECTIONS.

K. THE CONTRACTOR SHALL PROVIDE ACCESS TO THE LATEST VERSION OF ALL APPROVED PLANS AND SHOP DRAWINGS FOR THE SPECIAL INSPECTOR'S USE IN PERFORMING SPECIAL INSPECTIONS.

L. CONTRACTOR SHALL GRANT ACCESS TO OWNER'S SPECIAL INSPECTOR AS IS REASONABLY NECESSARY FOR THE PROPER PERFORMANCE OF SPECIAL INSPECTIONS.

M. SPECIAL INSPECTIONS DO NOT RELIEVE THE CONTRACTOR OF RESPONSIBILITY TO COMPLY WITH ALL REQUIREMENTS OF THE CONTRACT DOCUMENTS. CONSTRUCTION MEANS AND METHODS AND JOBSITE SAFETY ARE SOLELY THE RESPONSIBILITY OF THE CONTRACTOR.

N. STEEL QUALITY INSPECTOR QUALIFICATIONS.

- 1) QUALITY CONTROL INSPECTOR OF ERECTOR/FABRICATOR SHALL BE QUALIFIED TO THE SATISFACTION OF THE ERECTOR/ FABRICATOR'S QC PROGRAM AND AISC 360 SECTION N.4.1 REQUIREMENTS.
- 2) QUALITY ASSURANCE INSPECTOR SHALL BE QUALIFIED BY A QA AGENCY AND AISC 360 SECTION N.4.2 REQUIREMENTS.
- 3) NON-DESTRUCTIVE TESTING PERSONNEL, OR OTHER THAN VISUAL, SHALL BE QUALIFIED IN ACCORDANCE W/ EMPLOYER'S WRITTEN PRACTICE MEETING OR EXCEEDING REQUIREMENTS OF AWS D1.1/D1.1M AND EITHER ANST SNT-TC-1A OR ANST CP-189 REQUIREMENTS.

| REQUIRED VERIFICATION AND INSPECTION OF STEEL CONSTRUCTION | | | |
|--|--|---|---|
| VERIFICATION AND INSPECTION | FREQUENCY OF INSPECTION | | REFERENCED STANDARD |
| | CONTINUOUS (inspect each joint/member) | PERIODIC (inspect random joint/members) | |
| 1. Material verification of high-strength bolts, nuts and washers: | | | |
| a. Identification markings to conform to ASTM standards specified in the approved construction documents. | - | QC and QA | AISC 360, Section A3.3 and applicable ASTM material standards |
| b. Manufacturer's certifications available for fastener materials. | QA | QC | AISC 360, Table N5.6-1 |
| c. Fasteners marked in accordance with ASTM requirements. | - | QC and QA | |
| d. Proper fasteners selected for the joint detail (grade, type, bolt length & threads are to be excluded from shear plane). | - | QC and QA | |
| e. Proper bolting procedure selected for joint detail. | - | QC and QA | |
| f. Connecting elements, including the appropriate faying surface condition and hole preparation, if specified, meet applicable requirements. | - | QC and QA | |
| g. Pre-installation verification testing by installation personnel observed and documented for fastener assemblies and methods used. | QC | QA | |
| h. Proper storage provided for bolts, nuts, washers and other fastener components. | - | QC and QA | |
| 2. Inspection of high-strength bolting: | | | |
| <ul style="list-style-type: none"> For bolts requiring pretensioning, the special inspector shall observe the preinstallation testing and calibration procedures; determine that all piles of connected materials have been drawn together and properly snugged prior to pretensioning and monitor the installation of bolts to verify that fasteners are pretensioned in accordance with the RCSC Specification, progressing systematically from the most rigid point to the free edges. For joints required to be tightened only to the snug-tight condition, the special inspector need only verify that the connected materials have been drawn together and properly snugged. | | | |
| a. Snug-tight joints. | - | QC and QA | AISC 360, Section M2.5 |
| b. Pretensioned and slip-critical joints using turn-of-nut with matchmarking, twist-off bolt or direct tension indicator methods of installation. | - | QC and QA | |
| c. Pretensioned and slip-critical joints using turn-of-nut without matchmarking of calibrated wrench methods of installation. | QC and QA | - | |
| d. Fastener assemblies, of suitable condition, placed in all holes and washers (if required) are positioned as required. | - | QC and QA | |
| e. Fastener component not turned by the wrench prevented from rotating. | - | QC and QA | |
| f. Document acceptance or rejection of bolted connections. | QC and QA | - | |
| 3. Material verification of structural steel and cold-formed steel deck U.N.O.: | | | |
| a. For structural steel, identification markings to conform to AISC 360. | - | QC and QA | AISC 360, Section M1 |
| b. For other steel, identification markings to conform to ASTM standards specified in the approved construction documents. | - | QC and QA | Applicable ASTM material standards |
| 4. Inspection prior to welding: | | | |
| a. Verify identification markings of weld filler materials conform to AWS specification in the approved construction documents. | - | QC and QA | AISC 360, Section A3.5 and applicable AWS AS documents |
| b. Welding procedure specifications are available. | QC and QA | - | AISC 360, Table N5.4-1 |
| c. Manufacturer certifications for welding consumables available. | QC and QA | - | |
| d. Material identification (type/grade) and welded identification system. | - | QC and QA | |
| e. Fit-up of welds including but not limited to joint preparation, dimensions, cleanliness, tacking, and backing type/fit as applicable. | - | QC and QA | |
| f. Configuration and finish of access holes | - | QC and QA | |
| g. Check welding equipment. | - | QC | |

| REQUIRED VERIFICATION AND INSPECTION OF STEEL CONSTRUCTION | | | |
|--|--|---|---------------------------------------|
| VERIFICATION AND INSPECTION | FREQUENCY OF INSPECTION | | REFERENCED STANDARD |
| | CONTINUOUS (inspect each joint/member) | PERIODIC (inspect random joint/members) | |
| 5. Inspection of welding: | | | |
| a. AISC 360 requirements for welding structural steel | | | |
| 1) Use of qualified welders | - | QC and QA | AISC 360, Table N5.4-2 During Welding |
| 2) Packaging and exposure control and handling of welding consumables. | - | QC and QA | |
| 3) Welding over cracked tack welds | - | QC and QA | |
| 4) Environmental conditions including but not limited to precipitation, temperature and wind. | - | QC and QA | |
| 5) Verify settings on equipment, travel speeds, elected materials, shielding gas type/floor rate, preheating interpass temperatures and proper position meets WPS standards. | - | QC and QA | |
| 6) Verify welding techniques for interpass, final cleaning, profile limitations, and quality requirements. | - | QC and QA | |
| 7) Welds are cleaned and painted where required. | - | QC and QA | |
| 8) Verify size, length and locations of welds. | QC and QA | - | |
| 9) Visually verify welds for crack prohibition, weld/base-metal fusion, crater cross section, weld profiles, weld size, undercutting, and porosity. | QC and QA | - | |
| 10) Arc strikes, k-area cracks within 3" of weld, removal of backing, and repair activities as applicable. | QC and QA | - | |
| 11) Documentation of acceptance or rejection of welded joint or member. | QC and QA | - | |
| b. American Welding Society requirements for structural steel and cold-formed steel deck: | | | |
| 1) Complete and partial joint penetration groove welds. | X | - | AWS D1.1 |
| 2) Multipass fillet welds. | X | - | |
| 3) Single-pass fillet welds > 5/16" | X | - | |
| 4) Plug and slot welds. | X | - | |
| 5) Single-pass fillet welds ≤ 5/16" | - | X | AWS D1.3 |
| 6) Floor and roof deck welds. | - | X | |
| 7) Welded studs & deformed bar anchors (DBA's). | - | X | |
| 8) Welded sheet steel for cold-formed steel members | - | X | |
| 9) Welding of stairs & railing systems | - | X | |
| c. Reinforcing steel: | | | |
| 1) Verification of weldability of reinforcing steel other than ASTM A 706. | - | X | AWS D1.4, ACI 318, Section 3.5.2 |
| 2) Reinforcing steel resisting flexural and axial forces in intermediate and special moment frames, and boundary elements of special structural walls of concrete and shear reinforcement. | X | - | |
| 3) Shear reinforcement. | X | - | |
| 4) Other reinforcing steel. | - | X | |
| 6. Inspection of steel elements of composite construction prior to concrete placement: | | | |
| a. Placement and installation of steel deck. | QC and QA | - | AISC 360, Table N6.1 |
| b. Placement and installation of steel HSA. | QC and QA | - | AISC 360, Table N6.1 |
| c. Documentation of acceptance or rejection of steel elements. | QC and QA | - | AISC 360, Table N6.1 |

| TABLE 1705.3 REQUIRED SPECIAL INSPECTIONS AND TESTS OF CONCRETE CONSTRUCTION | | | | |
|--|-------------------------------|-----------------------------|---|--------------------------------|
| TYPE | CONTINUOUS SPECIAL INSPECTION | PERIODIC SPECIAL INSPECTION | REFERENCED STANDARD | IBC REFERENCE |
| 1) Inspect reinforcement, including prestressing tendon, and verify placement. | - | X | ACI 318 Ch. 20, 25.2, 25.3, 26.6.1-26.6.3 | 1908.4 |
| 2) Reinforcing bar welding: a) Verify weldability of reinforcing bars other than ASTM A706; b) Inspect single-pass fillet welds, maximum 5/16"; and c) Inspect all other welds. | - | X | AWS D1.4 ACI 318: 26.5.4 | - |
| 3) Inspect anchors cast in concrete. | - | X | ACI 318:17.8.2 | - |
| 4) Inspect size, embedment, and installation of post-installed anchors. | X | - | Manuf. Requirements | - |
| 5) Verify use of required design mix. | - | X | ACI 318: Ch. 19, 26.4.3, 26.4.4 | 1904.1, 1904.2, 1908.2, 1908.3 |
| 6) Prior to concrete placement, fabricate specimens for strength tests, perform slump and air content tests, and determine the temperature of the concrete. | X | - | ASTM C 172 ASTM C 31 ACI 318: 26.4, 26.12 | 1908.10 |
| 7) Inspect concrete and shotcrete placement for proper application techniques. | X | - | ACI 318: 26.5 | 1908.6, 1908.7, 1908.8 |
| 8) Verify maintenance of specified curing temperature and techniques. | - | X | ACI 318: 26.5.3-26.5.5 | 1908.9 |
| 9) Inspect prestressed concrete for: a) Application of prestressing forces; and b) Grouting of bonded prestressing tendons. | X | - | ACI 318: 26.10 | - |
| 10) Inspect erection of precast concrete members. | - | X | ACI 318: Ch. 26.8 | - |
| 11) Verify in-situ concrete strength, prior to stressing of tendons in post-tensioned concrete and prior to removal of shores and forms from beams and structural slabs. | - | X | ACI 318: 26.11.2 | - |
| 12) Inspect formwork for shape, location and dimensions of the concrete member being formed. | - | X | ACI 318: 26.11.1.2(b) | - |

| TABLE 1705.6 REQUIRED SPECIAL INSPECTIONS AND TESTS OF SOILS | | |
|--|-------------------------------|-----------------------------|
| TYPE | CONTINUOUS SPECIAL INSPECTION | PERIODIC SPECIAL INSPECTION |
| 1. Verify materials below shallow foundations are adequate to achieve the design bearing capacity. | - | X |
| 2. Verify excavations are extended to proper depth and have reached proper material. | - | X |
| 3. Perform classification and testing of compacted fill materials. | - | X |
| 4. Verify use of proper materials, densities and lift thicknesses during placement and compaction of compacted fill. | X | - |
| 5. Prior to placement of compacted fill, inspect subgrade and verify that site has been prepared properly. | - | X |

| TABLE 1705.2.3 REQUIRED SPECIAL INSPECTIONS OF OPEN-WEB STEEL JOISTS AND JOIST GIRDERS | | | |
|---|-------------------------------|-----------------------------|--|
| TYPE | CONTINUOUS SPECIAL INSPECTION | PERIODIC SPECIAL INSPECTION | REFERENCED STANDARD |
| 1. Installation of open-web steel joists and joist girders. | | | |
| a. End connections – welding or bolted. | - | X | SJI specification listed in Section 2207.1 |
| b. Bridging – horizontal or diagonal. | | | |
| 1. Standard bridging. | - | X | SJI specification listed in Section 2207.1 |
| 2. Bridging that differs from SJI specifications listed in Section 2207.1 | - | X | |

AGP
the Abila Griffin
Partnership L.L.C.

201 N. BROADWAY
SUITE 210
MOORE, OK, 73160
405.735.3477
AGP@theAGP.net
www.theAGP.net

KFC ENGINEERING

STRUCTURAL

SALAS O'BRIEN

MECHANICAL / ELECTRICAL



CJC

drawn by

BWB

checked by

MARCH 2023

date

revisions

MOORE PUBLIC SCHOOLS
BOARD OF EDUCATION
MOORE, OKLAHOMA



OFFICE
ADDITION -
SOUTHGATE
ELEMENTARY SCHOOL

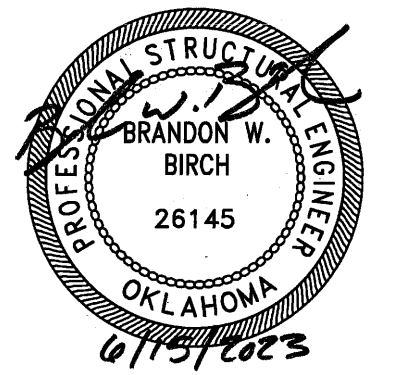
sheet no:

S104

OWNERSHIP USE OF DOCUMENTS:

AGP EXPRESSLY RESERVES ITS
COPYRIGHT AND OTHER PROPERTY
RIGHTS OF ALL PLANS AND DRAWINGS
DESIGNED AND/OR PRODUCED. PLANS
AND DRAWINGS ARE NOT TO BE
REPRODUCED IN ANY FORM OR MANNER
WITHOUT THE EXPRESSED WRITTEN
CONSENT OF AGP.

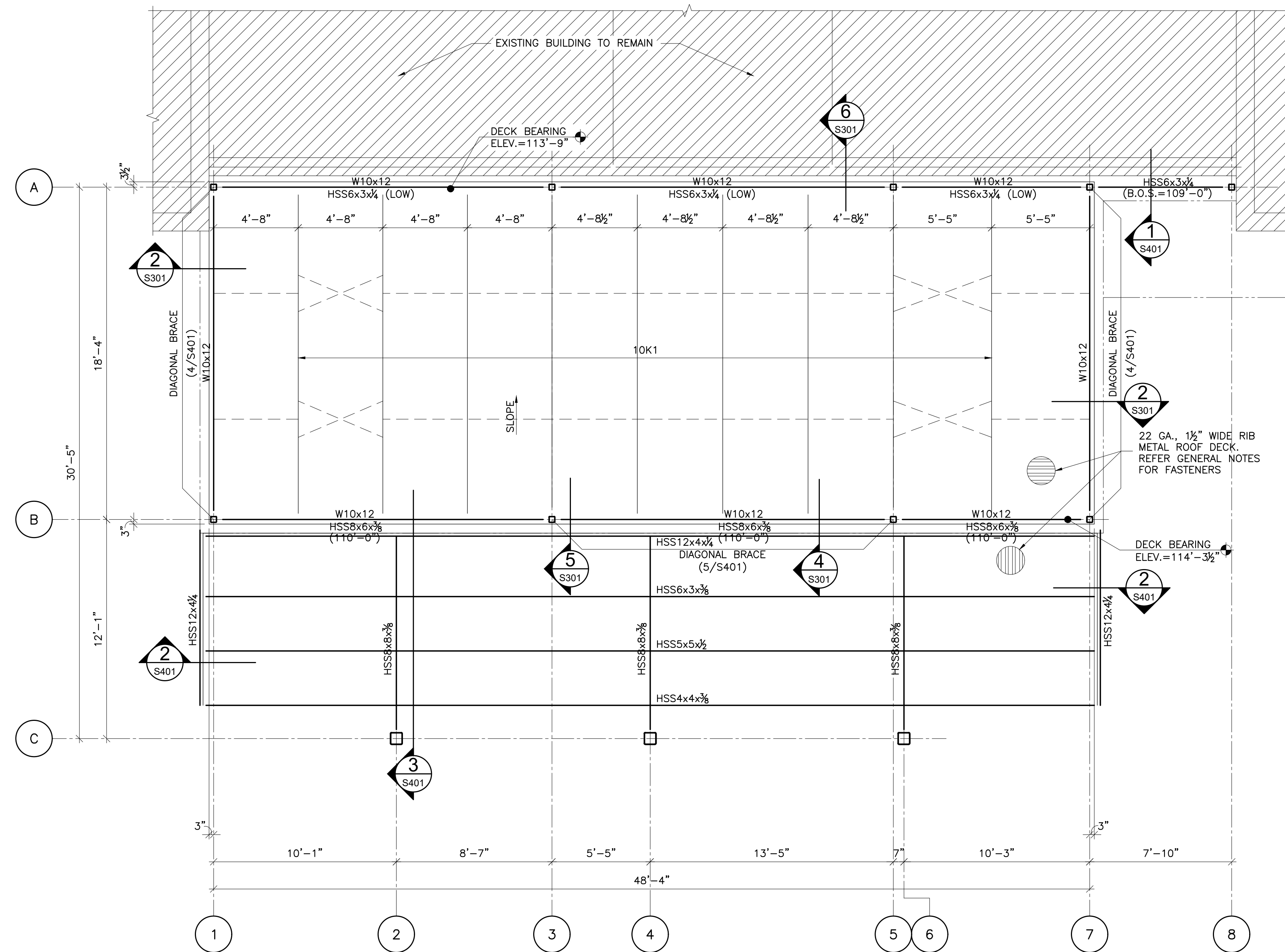
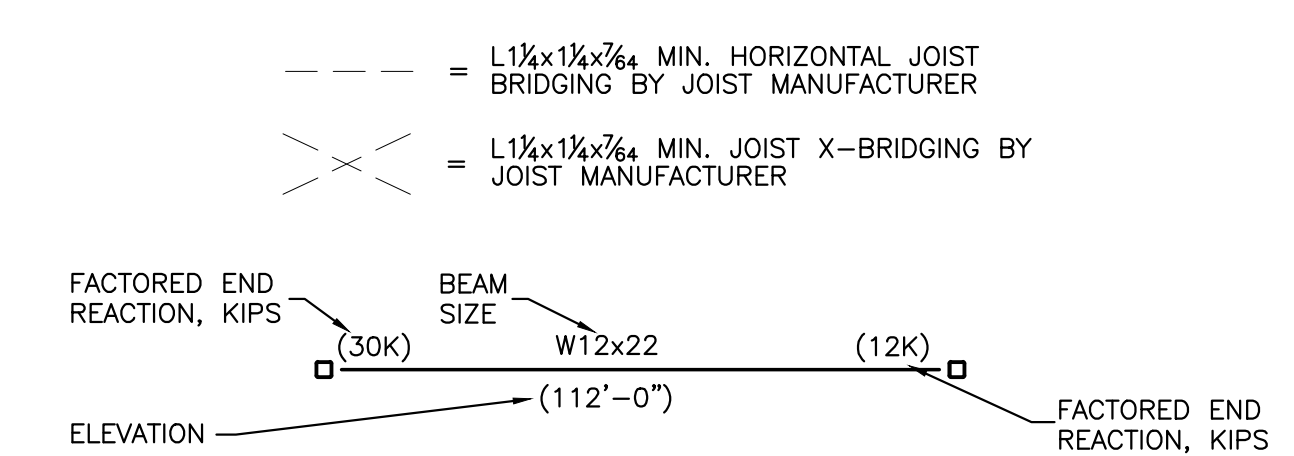
KFC engineering
Kirkpatrick Forest Curtis PC
Structural Engineering
OK CA #3888, EXP. 06/30/25
525 Central Park Drive, Suite 202
Oklahoma City, OK, 73105
405.528.4596 | kfcengr.com



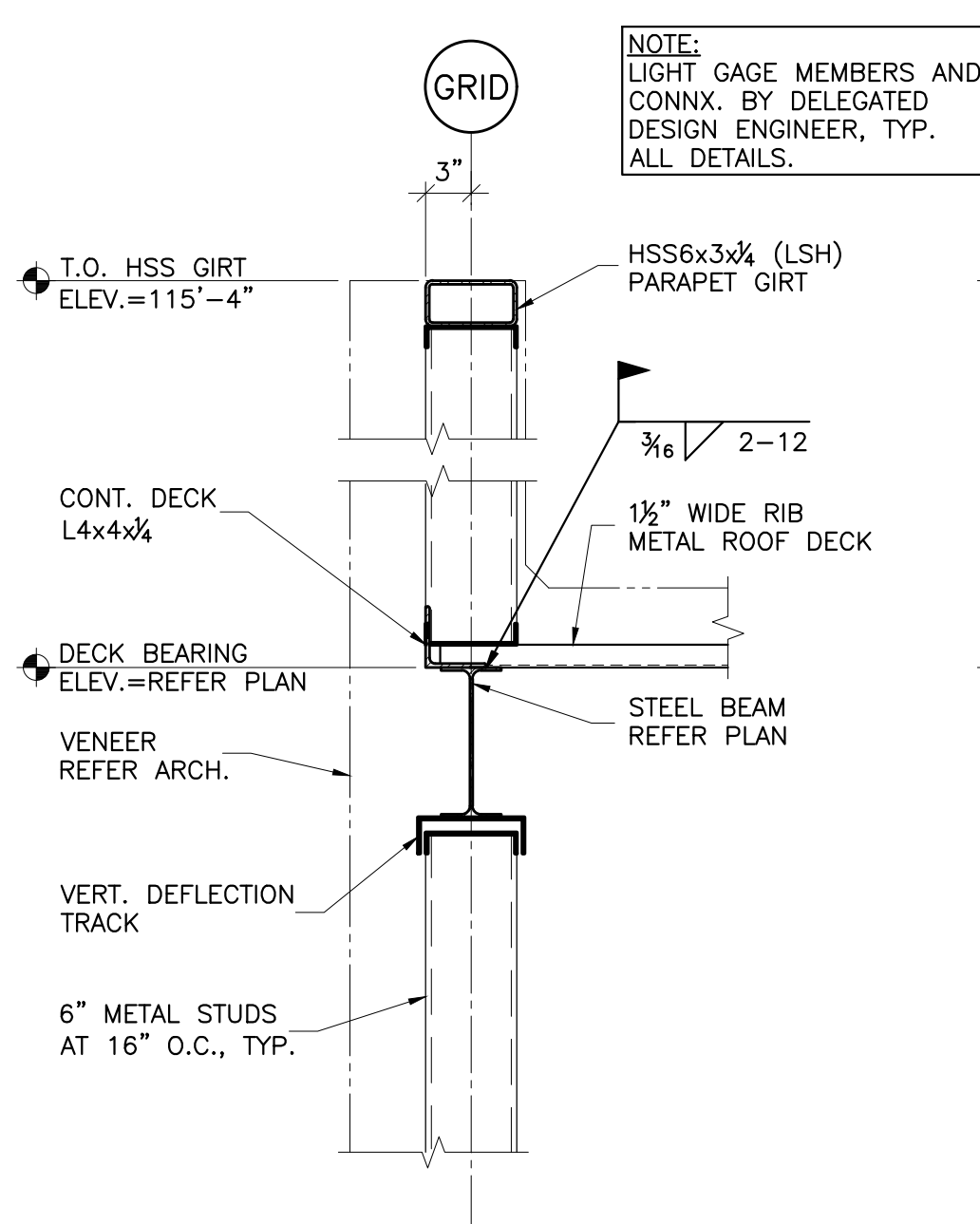
ROOF FRAMING NOTES:

1. REFER TO GENERAL NOTES FOR INFORMATION REGARDING STEEL BEAMS, STEEL JOISTS AND METAL DECKING.
2. ALL TOP OF STEEL, JOIST OR DECK NOTATIONS ARE WITH REFERENCE TO THE FINISH FLOOR ELEVATIONS SPECIFIED ON THE FOUNDATION PLAN, U.N.O.
3. THE ROOF DECK SHALL CONSIST OF A MODIFIED BIT ROOF OVER 1 1/2" 22 GA., GALV. WIDE RIB DECKING. REFER TO METAL DECK NOTES FOR ATTACHMENT.
4. REFER TYPICAL JOIST AND STEEL DETAILS FOR ADDITIONAL INFORMATION.

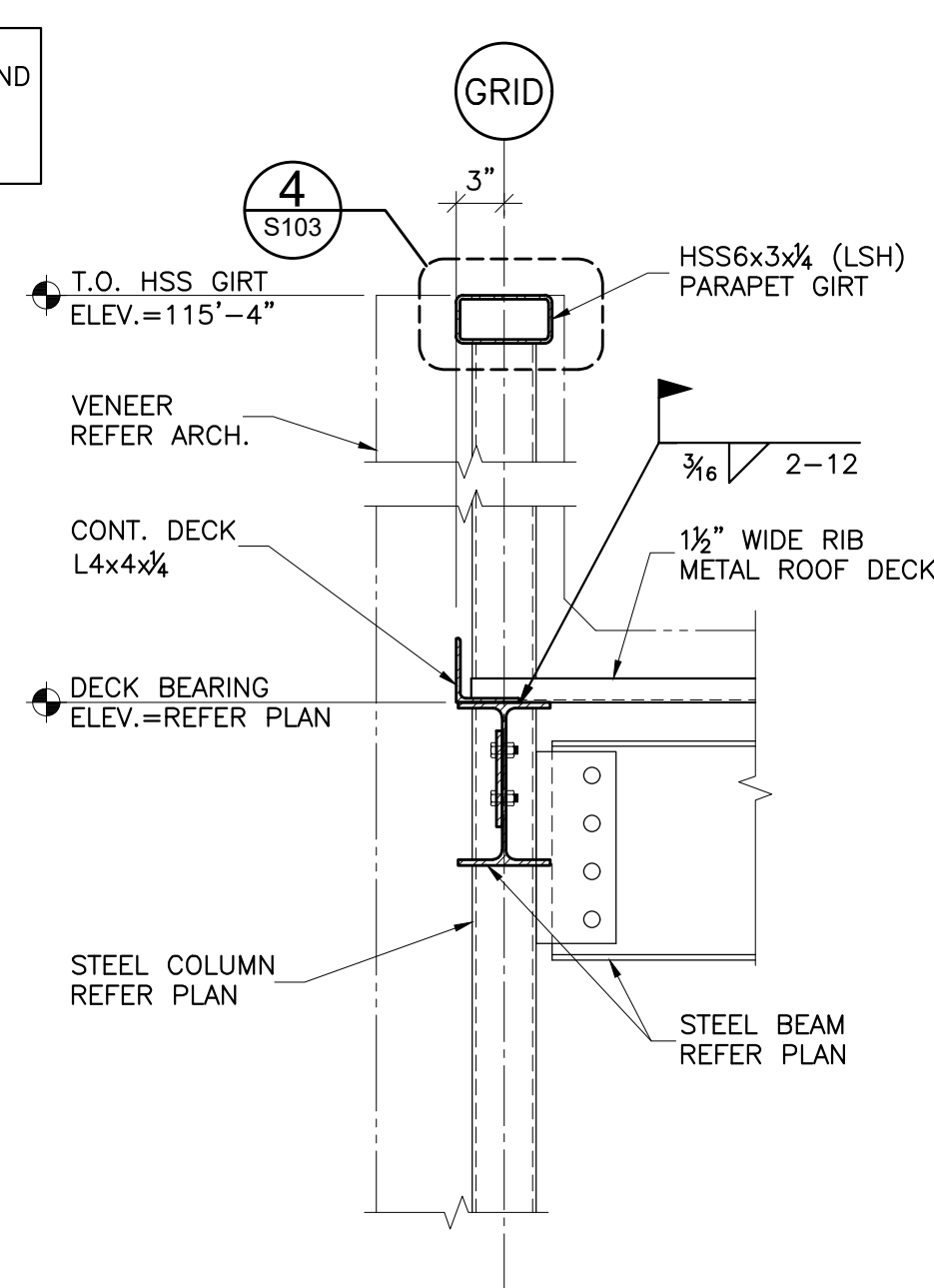
FRAMING PLAN LEGEND:



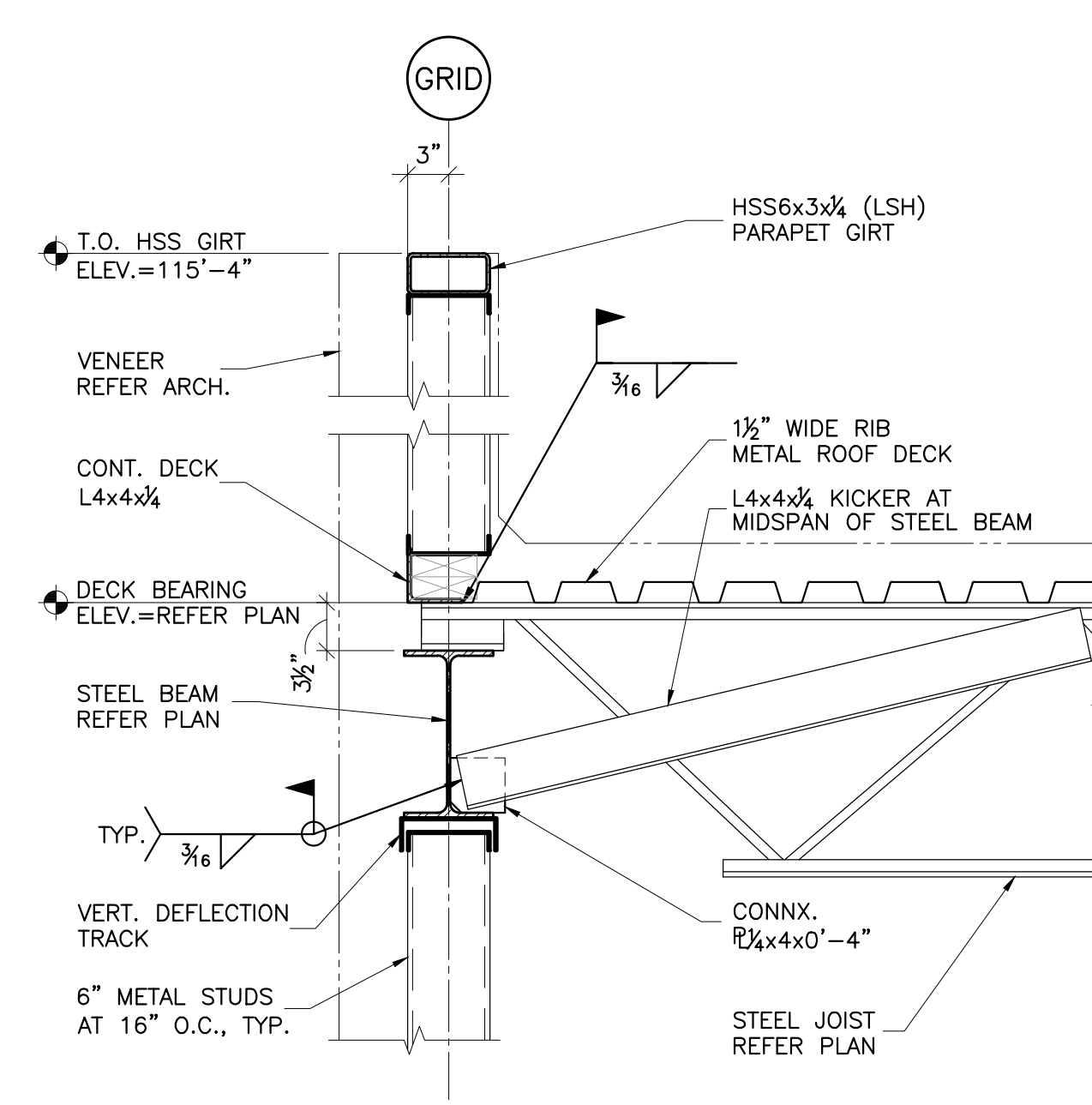
1 ROOF FRAMING PLAN
S301 SCALE: 1/4"=1'-0"



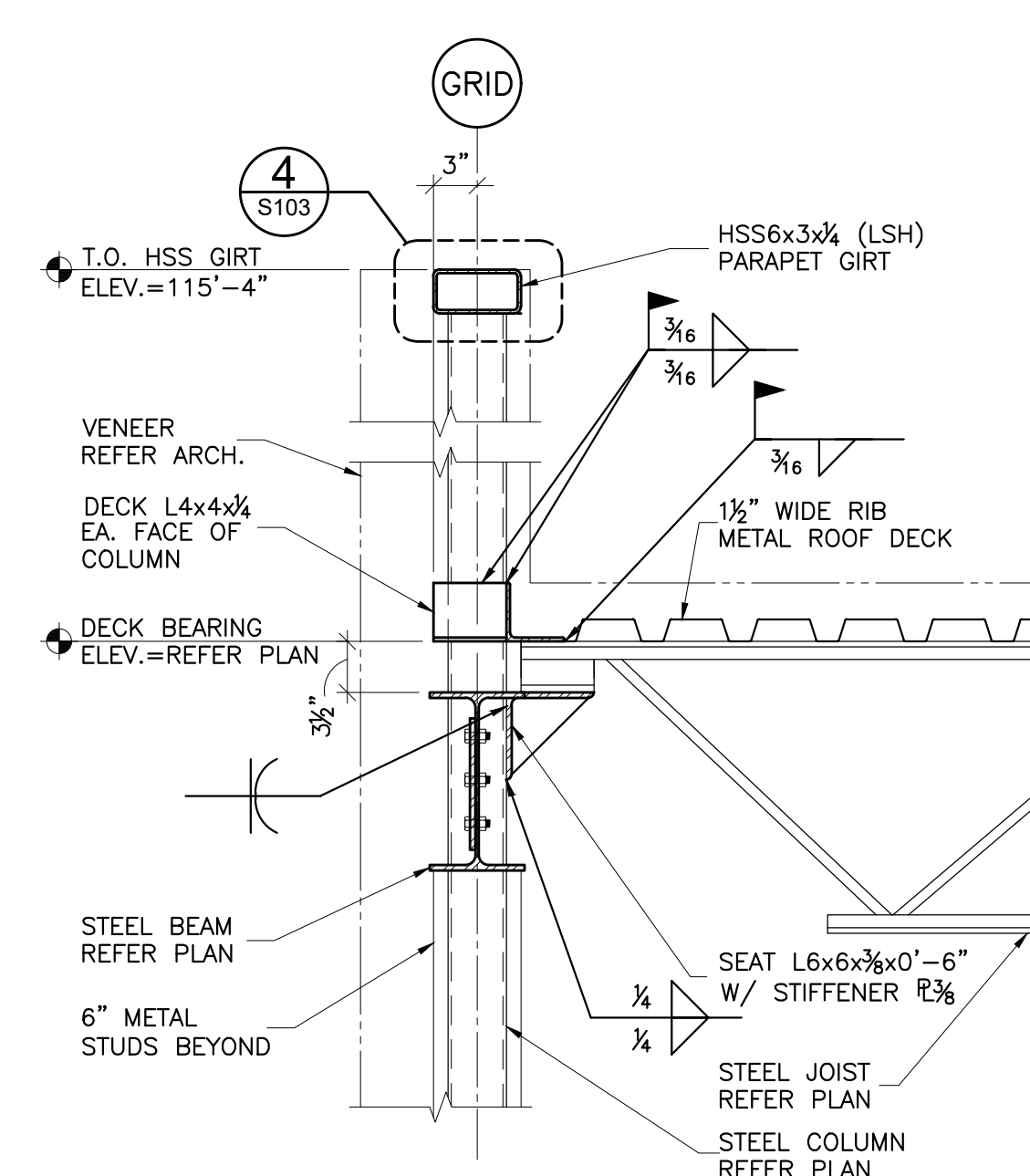
2 SECTION
S301 SCALE: 1"=1'-0"



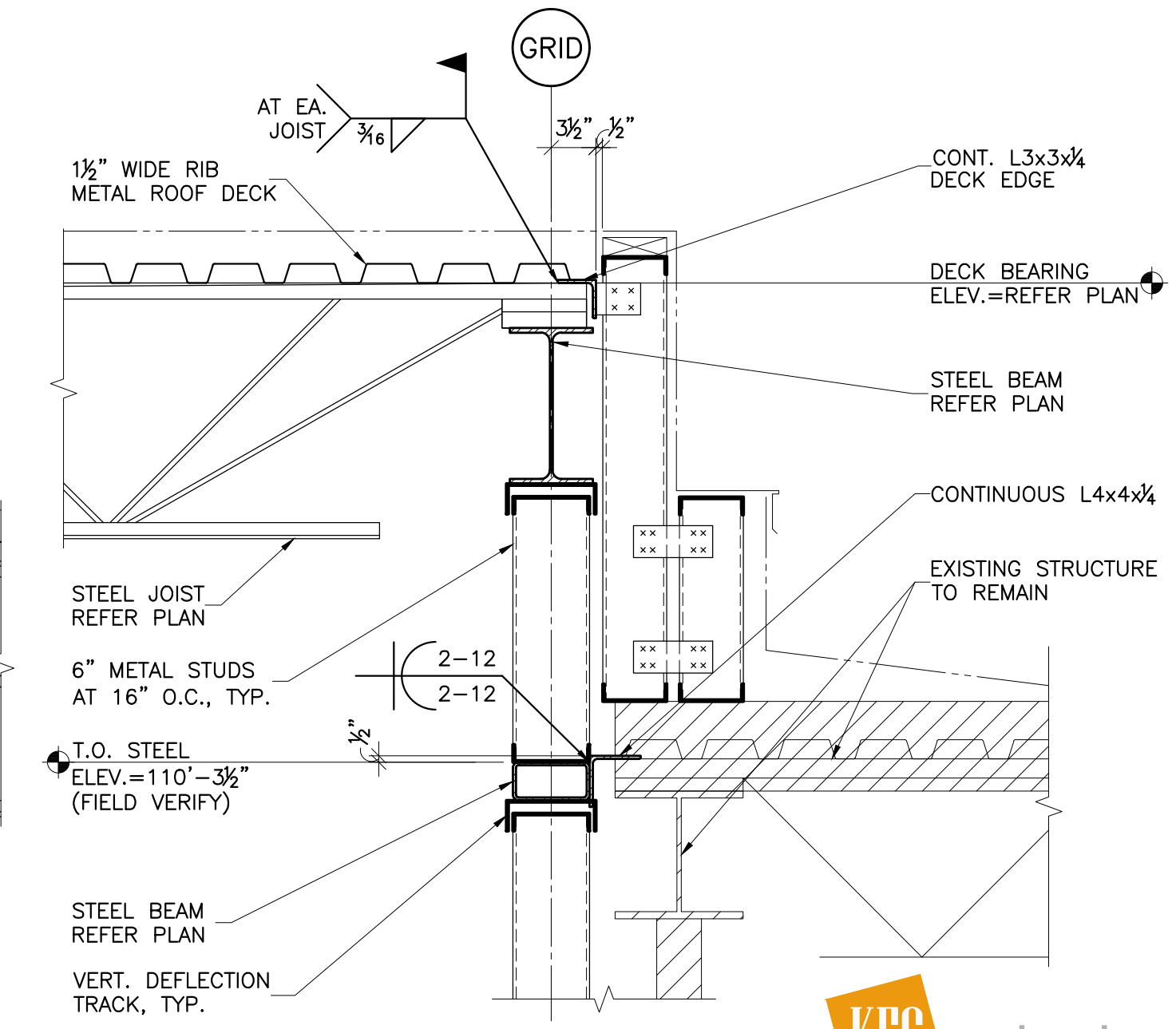
3 SECTION
S301 SCALE: 1"=1'-0"



4 SECTION
S301 SCALE: 1"=1'-0"



5 SECTION
S301 SCALE: 1"=1'-0"



6 SECTION
S301 SCALE: 1"=1'-0"



CJC

drawn by

BWB

checked by

MARCH 2023

date

revisions

MOORE PUBLIC SCHOOLS
BOARD OF EDUCATION
MOORE, OKLAHOMA



MOORE Public Schools
LEARNING FOR LIFE

OFFICE
ADDITION -
SOUTHGATE
ELEMENTARY SCHOOL

sheet no:

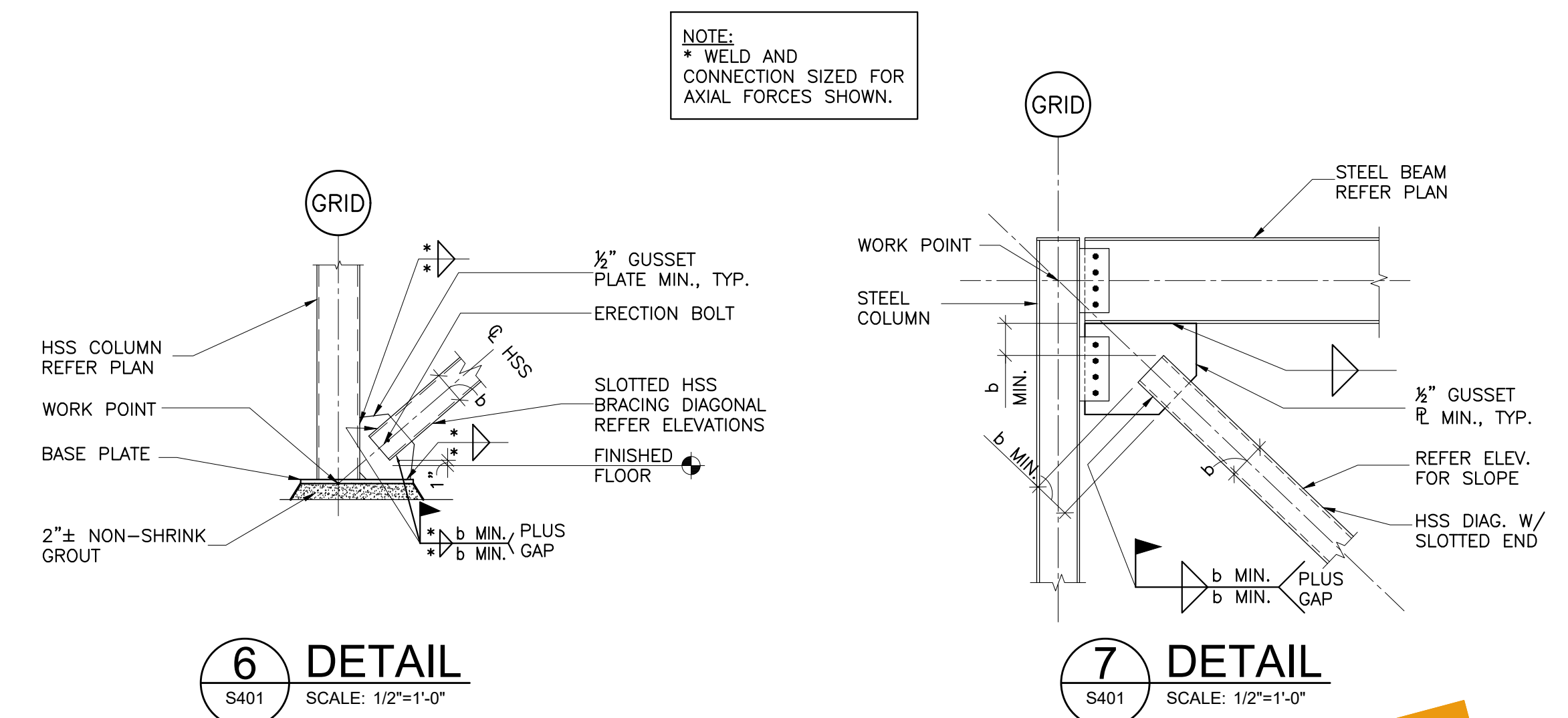
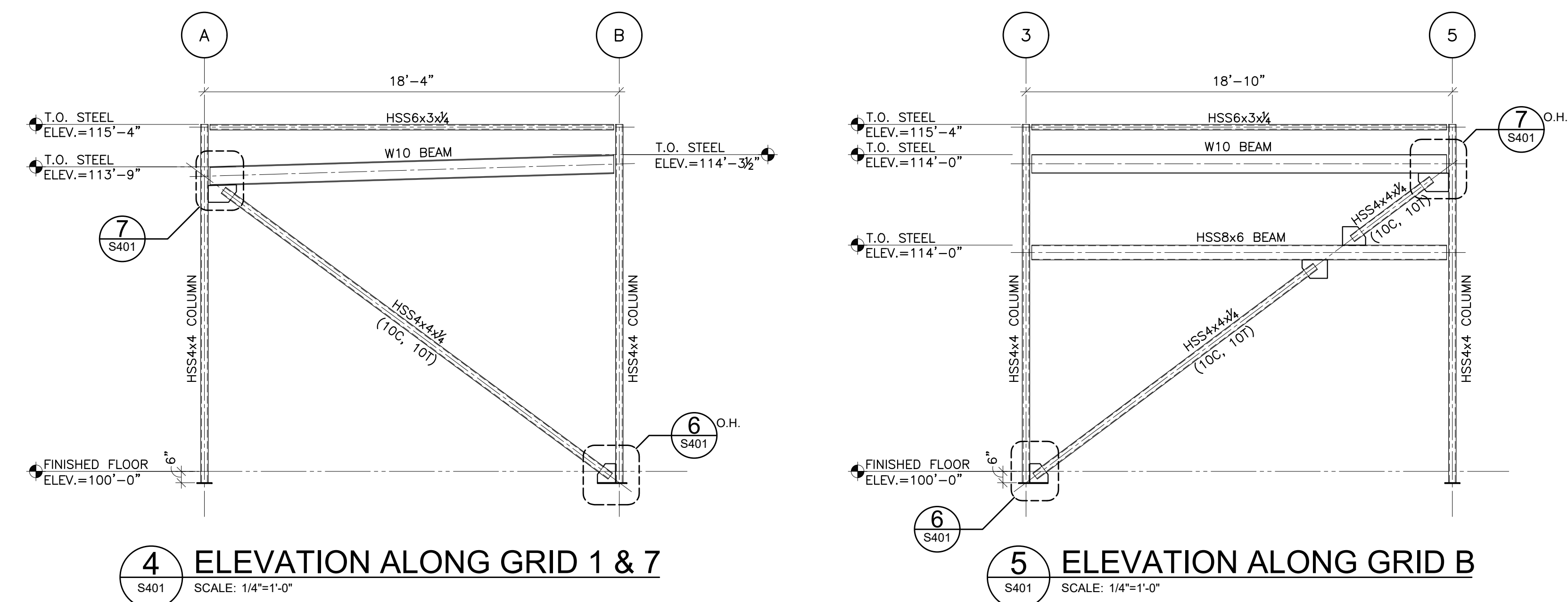
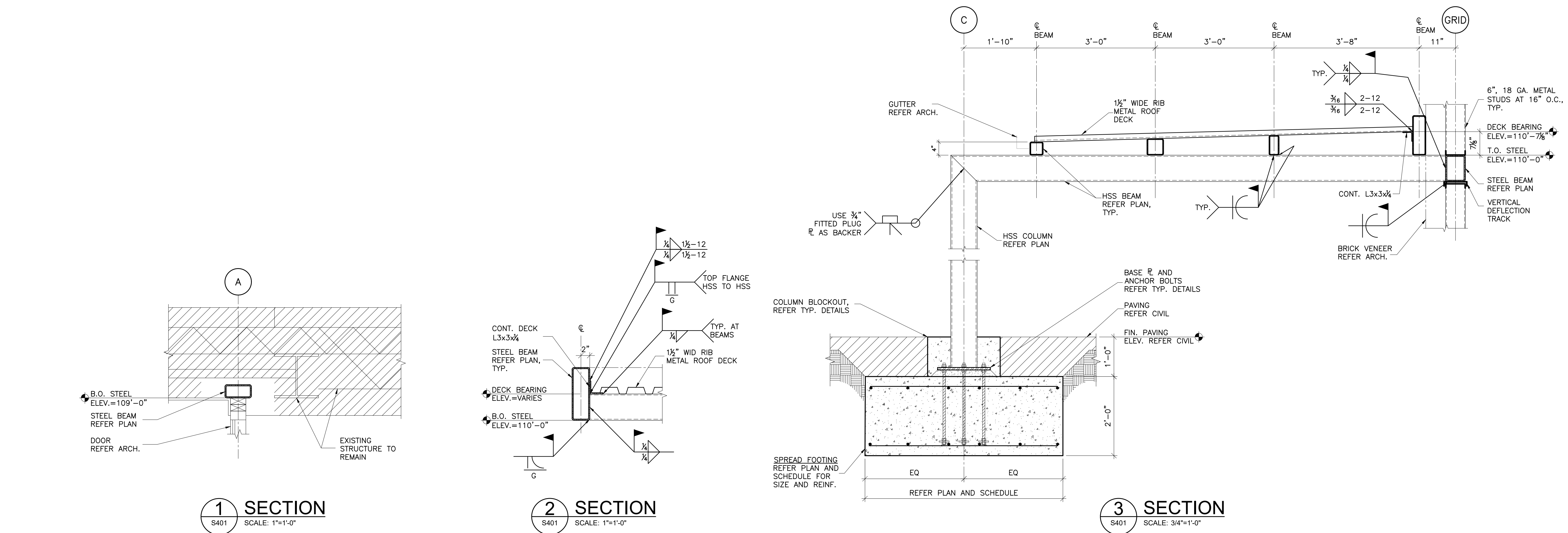
S401

OWNERSHIP USE OF DOCUMENTS:

AGP EXPRESSLY RESERVES ITS
COPYRIGHT AND OTHER PROPERTY
RIGHTS OF ALL PLANS AND DRAWINGS
DESIGNED AND/OR PRODUCED. PLANS
AND DRAWINGS ARE NOT TO BE
REPRODUCED IN ANY FORM OR MANNER
WITHOUT THE EXPRESSED WRITTEN
CONSENT OF AGP.



Kirkpatrick Forest Curtis PC
Structural Engineering
OK CA #3888, EXP. 06/30/25
525 Central Park Drive, Suite 202
Oklahoma City, OK 73105
405.528.4596 | kfcenr.com



sheet no:

RESPONSIBILITY MATRIX

| SCOPE ITEM | RESPONSIBILITY | | | NOTES |
|---|----------------|------|------|-------------|
| | OFOI | CFCI | OFCI | |
| COMMUNICATIONS - DIVISION 27 | | | | |
| CATEGORY 6 STRUCTURED CABLING SYSTEM | | X | | |
| BUILDING INTERCOMPA, BELL, AND CLOCK SYSTEM | | X | | |
| NETWORK EQUIPMENT | | | | |
| → MDF/IDF NETWORK EQUIPMENT | | X | | |
| → VOIP TELEPHONES | | X | | |
| → WIRELESS ACCESS POINTS | | X | | |
| → UNINTERRUPTABLE POWER SUPPLIES (UPS) | | X | | |
| RACEWAY: CONDUIT, BACK BOXES, SLEEVES, ETC. | | X | | SEE NOTE 1. |
| ELECTRICAL POWER | | X | | SEE NOTE 1. |
| LIFE SAFETY AND SECURITY - DIVISION 28 | OFOI | CFCI | OFCI | |
| ACCESS CONTROL SYSTEM(ACS) | | X | | |
| INTRUSION DETECTION SYSTEM | | X | | |
| VIDEO SURVEILLANCE SYSTEM (VSS) | | | | |
| → VSS SERVERS | | X | | |
| → VSS CAMERAS | | X | | |
| → VSS PROGRAMMING | | X | | |
| → VSS CABLING | | X | | SEE NOTE 2. |
| FIRE ALARM SMOKE DETECTION WITH VOICE EVACUATION | | X | | SEE NOTE 1. |
| RACEWAY: CONDUIT, BACK BOXES, SLEEVES, ETC. | | X | | SEE NOTE 1. |
| ELECTRICAL POWER | | X | | SEE NOTE 1. |
| OFOI - OWNER FURNISHED AND OWNER INSTALLED CFCI - CONTRACTOR FURNISHED AND CONTRACTOR INSTALLED OFCI - OWNER FURNISHED AND CONTRACTOR INSTALLED | | | | |

RESPONSIBILITY MATRIX NOTES:
1. BY DIVISION 26.
2. BY DIVISION 27.

SUBSCRIPTS AND ABBREVIATIONS

| | |
|-------|--|
| 'WM' | INDICATES THAT THE DESIGNATED DEVICE IS TO BE WALL MOUNTED AT SPECIFIED HEIGHT OR IN COMPLIANCE WITH CODE REQUIREMENTS. ALL WALL MOUNTED HEIGHTS ARE TO BE CONFIRMED WITH THE PROJECT'S ARCHITECT PRIOR TO ROUGH-IN. |
| 'WP' | INDICATES THAT THE DESIGNATED DEVICE SHALL BE WEATHER PROOF AND RATED FOR EXTERIOR CONDITIONS INSTALLATION. |
| 'AC' | INDICATES THAT THE DESIGNATED DEVICE IS TO BE INSTALLED ABOVE THE COUNTERTOP. A NUMERIC VALUE SHALL REPLACE THE 'W' SYMBOL AND SHALL DESIGNATE THE SPECIFIC HEIGHT ABOVE COUNTER. ALL HEIGHTS ARE TO BE CONFIRMED WITH THE PROJECT'S ARCHITECT PRIOR TO ROUGH-IN. |
| 'AFP' | INDICATES THAT THE DESIGNATED DEVICE IS TO BE INSTALLED ABOVE THE FINISHED FLOOR. A NUMERIC VALUE SHALL REPLACE THE 'W' SYMBOL AND SHALL DESIGNATE THE SPECIFIC HEIGHT ABOVE FINISHED FLOOR. ALL HEIGHTS ARE TO BE CONFIRMED WITH THE PROJECT'S ARCHITECT PRIOR TO ROUGH-IN. |
| 'UC' | INDICATES THAT THE DESIGNATED DEVICE IS TO BE MOUNTED ON THE UNDERSIDE OF THE ELEVATED CANOPY. |
| 'CM' | INDICATES THAT THE DESIGNATED DEVICE IS TO BE CORNER MOUNTED AT SPECIFIED HEIGHT. ALL WALL MOUNTED HEIGHTS ARE TO BE CONFIRMED WITH THE PROJECT'S ARCHITECT PRIOR TO ROUGH-IN. |
| | FIELD COORDINATE ELEVATION. |

FIRE ALARM LEGEND

| | |
|---|--------------------------------|
| [FACP] | FIRE ALARM CONTROL |
| [FAA] | FIRE ALARM ANNUNCIATOR PANEL |
| [NAC] | NOTIFICATION APPLIANCE CIRCUIT |
| NOTES: | |
| 1. FIRE ALARM SYSTEM IS A PERFORMANCE BASED PER SPECIFICATIONS 28.46.00. CONTRACTOR TO REFERENCE SPECIFICATIONS FOR ADDITIONAL INFORMATION. | |
| 2. A LICENSED FIRE ALARM PLANNING SUPERINTENDENT CERTIFIED TO A MINIMUM LEVEL 3, IN THE SUBFIELD OF FIRE ALARM SYSTEMS THROUGH THE NATIONAL INSTITUTE FOR CERTIFICATION IN ENGINEERING TECHNOLOGIES (NICET), SHALL PROVIDE PLANS AND CALCULATIONS FOR A MANUAL AND AUTOMATIC FIRE DETECTION AND ALARM SYSTEM TO COMPLY WITH THE BUILDING SPACE LAYOUT, BUILDING OCCUPANCY, CURRENT NFPA 72 LOCAL AND STATE CODE REQUIREMENTS, AND THE FIRE ALARM AND DETECTION SYSTEM SPECIFICATIONS. | |
| 3. PROJECT SCOPE INCLUDES EXPANDING THE EXISTING FIRE ALARM SYSTEM. FIRE ALARM SYSTEM SHALL BE FULLY OPERATIONAL THROUGHOUT ALL PHASES OF CONSTRUCTION. | |

NOTES TO CONTRACTOR

- EVERY SYMBOL SHOWN ON LEGEND MAY NOT APPEAR ON DRAWINGS. REFER TO GENERAL ELECTRICAL NOTES FOR WALL-MOUNTED DEVICE MOUNTING HEIGHTS.
- REFERENCE SPECIFICATIONS FOR MATERIALS AND METHODS.
- COMPLETE INSTALLATION OF ALL PRODUCTS SHALL BE IN COMPLIANCE WITH ALL CODES, INDUSTRY STANDARDS, COMMON PRACTICES AND MANUFACTURER'S INSTRUCTIONS.
- ALL EXTERIOR AND WALL MOUNTED CAMERA LOCATIONS AND MOUNTING HEIGHTS MUST BE COORDINATED WITH THE OWNER PRIOR TO ROUGH-IN. COORDINATION MEETINGS SHALL BE SCHEDULED THROUGH THE ARCHITECT'S PROJECT MANAGER.

INTERCOM GENERAL NOTES

- THE SYSTEM INSTALLER SHALL PROPERLY SUPPORT ALL INSTALLED SYSTEM CABLING FROM AN APPROVED CABLE SUPPORT SYSTEM AS DETAILED IN SPECIFICATIONS. NO CABLING SHALL BE ROUTED AND TIED DIRECTLY TO BUILDING STEEL, CEILING GRID SUPPORT, CONDUIT, PIPING, OR DUCTWORK. THE CABLE SUPPORT SYSTEM SHALL BE DIRECTLY CONNECTED TO THE BUILDING'S STEEL JOIST. AT LOCATIONS WHERE THE BOTTOM OF THE JOIST IS MORE THAN 5' ABOVE THE CEILING, THE SYSTEM INSTALLER SHALL PROVIDE AND INSTALL THREADED ROD AND ALL REQUIRED MATERIALS TO CONNECT THE THREADED ROD TO THE BUILDING STEEL AND THE CABLE SUPPORT SYSTEM TO THE THREADED ROD. CABLE PATHWAY SHALL NOT BE HIGHER THAN 5' ABOVE THE CEILING AT ANY LOCATIONS.
- ALL EXTERIOR AND WALL MOUNTED SPEAKERS SHALL BE MOUNTED AT 10'-0" UNLESS OTHERWISE NOTED.
- EXTERIOR SPEAKERS SHALL BE INDEPENDENTLY ZONED FROM INTERIOR SPEAKERS.
- ALL WALL MOUNTED CALL INITIATING DEVICES SHALL BE INSTALLED AT ADA HEIGHT, MATCHING THE HEIGHT OF THE INSTALLED LIGHT SWITCHES.
- PROVIDE AND INSTALL WALL MOUNTED VOLUME CONTROLS IN ALL OFFICES, CONFERENCE ROOMS, AND CLINICS.
- ALL VOLUME CONTROLS SHALL BE CONFIGURED WITH EMERGENCY CALL OVERRIDE, ALLOWING EMERGENCY ANNOUNCEMENTS TO BE HEARD DESPITE THE POSITION OF THE VOLUME CONTROL.
- ALL 25/70V SPEAKERS SHALL BE CONNECTED TO A STANDARD PUNCH DOWN BLOCK LOCATED NEAR HEAD END EQUIPMENT AND THEN CONNECTED TO HEAD END EQUIPMENT.
- CONTRACTOR TO TAP ALL EXTERIOR SPEAKERS AT 7 WATTS.
- ALL EXTERIOR AND WALL MOUNTED SPEAKERS SHALL BE MOUNTED AT 10'-0" UNLESS OTHERWISE NOTED.

GENERAL NOTES

- ALL 120V POWER REQUIRED FOR THE FUNCTIONALITY OF EACH SYSTEM SHALL BE A DEDICATED CIRCUIT AND AN EMERGENCY POWER WHEN AVAILABLE. PROJECTS ELECTRICAL CONTRACTOR SHALL BE RESPONSIBLE FOR ALL POWER TO MAIN CONTROL PANELS, REMOTE POWER SUPPLIES AND ALL HEAD END EQUIPMENT. SYSTEM INSTALLERS SHALL COORDINATE LOCATIONS AND CONNECTIONS WITH THE PROJECTS ELECTRICAL CONTRACTOR.
- THE PROJECTS ELECTRICAL CONTRACTOR SHALL BE RESPONSIBLE FOR ALL CONDUITS, FLOOR BOX, BACK BOXES, JUNCTION BOXES, RACEWAYS, AND SLEEVES REQUIRED TO ESTABLISH CLEAR PATHWAYS FOR ALL SYSTEMS. ALL CONDUITS, SLEEVES, BOXES, AND RACEWAYS SHALL BE PROPERLY SIZED TO MAINTAIN A 40% MAXIMUM FILL RATIO. THE INSTALLER FOR EACH SYSTEM SHALL PROVIDE THE ELECTRICAL CONTRACTOR WITH SHOP DRAWINGS INDICATING LOCATIONS AND SIZES OF CONDUITS BEYOND THOSE SHOWN ON THE CONTRACT DOCUMENTS.
- ALL EXPOSED SYSTEMS WIRING OR WIRING ROUTING ACROSS NON-ACCESSIBLE CEILINGS SHALL BE ROUTED IN CONDUIT, PROVIDED AND INSTALLED BY THE PROJECTS ELECTRICAL CONTRACTOR. SIZE CONDUIT AS REQUIRED TO ROUTE SYSTEMS WITH 40% CABLE FILL RATIO. MINIMUM CONDUIT SIZE SHALL BE 3/4".
- EACH SYSTEM INSTALLER SHALL BE RESPONSIBLE FOR ENSURING ALL EXTERIOR WALL PENETRATIONS ARE PROPERLY SEALED TO PREVENT ANY MOISTURE FROM ENTERING BUILDING.
- NO CONDUITS SHALL BE INSTALLED ON THE EXTERIOR OF THE BUILDING. IF EXTERIOR CONDUITS ARE REQUIRED FOR A COMPLETE INSTALLATION, EACH SYSTEM CONTRACTOR SHALL COORDINATE WITH THE PROJECTS CONSULTANT PRIOR TO ANY ROUGH-IN.
- EACH SYSTEM INSTALLER SHALL PROVIDE AND INSTALL PROTECTIVE BUSHINGS ON ALL CONDUIT STUB OUTS AND SLEEVES TO PREVENT CABLE DAMAGE. BUSHING TO BE INSTALLED PRIOR TO CABLE INSTALLATION. CUTTING BUSHING AND INSTALLING AFTER CABLE IS INSTALLED WILL NOT BE ACCEPTED.
- ALL CABLE SHALL BE ROUTED DOWN CORRIDORS, PARALLEL AND PERPENDICULAR TO THE BUILDING WALLS AND STRUCTURE. CABLE TO EACH DEVICE SHALL BRANCH OFF OF A MAIN CORRIDOR TRUNK. ROUTING CABLES THROUGH CLASSROOMS, OFFICES, STORAGE ROOMS, RESTROOMS OR ANY TYPE OF ROOM OTHER THAN A CORRIDOR WILL NOT BE ACCEPTED. ENTER ALL ROOMS ABOVE THE ASSOCIATED ROOM DOORWAY.

TECHNOLOGY GENERAL NOTES

- CONTRACTOR SHALL COORDINATE WITH THE SYSTEM ENGINEER PRIOR TO THE INSTALLATION OF RACKS AND RACK EQUIPMENT. NO RACKS SHALL BE PERMANENTLY INSTALLED WITHOUT WRITTEN APPROVAL OF THE PROPOSED LOCATIONS.
- THE SELECTED, INSTALLING CONTRACTOR MUST BE A CERTIFIED INTEGRATOR/INSTALLER AUTHORIZED BY THE SPECIFIED SYSTEM MANUFACTURER TO INSTALL THE CABLE PLANT AND CONNECTIVITY PRODUCTS. REFER TO SPECIFICATIONS FOR PRODUCT TYPE AND DESCRIPTION.
- SYSTEM WIRING AND EQUIPMENT INSTALLATION SHALL BE IN ACCORDANCE WITH GOOD ENGINEERING PRACTICES AS ESTABLISHED BY ANSIE/IAITIA, BICSI, AND THE NEC.
- ALL WIRING SHALL MEET ALL STATE AND LOCAL ELECTRICAL CODES.
- ALL TELECOMMUNICATIONS SYSTEMS EQUIPMENT AND MOUNTING LOCATIONS SHALL BE IN COMPLIANCE WITH ADA ACCESSIBILITY STANDARDS.
- ALL INDUSTRY STANDARD CATEGORY 6 CABLING PRACTICES MUST BE FOLLOWED FOR ALL DATA CABLING.
- ALL CABLES/WIRING ARE TO BE INSTALLED WITH A MINIMUM OF 12" INCHES OF SEPARATION FROM AC POWER CABLES, INTERCOM, FIRE ALARM, SECURITY CABLES IN ANY PARALLEL OPEN WIRE RUN.
- ALWAYS CROSS OTHER SYSTEM CABLES AT A 90 DEGREE ANGLE.
- ALL CABLES AND TERMINATION COMPONENTS SHALL BE MACHINE LABELED AT BOTH ENDS. LABEL ALL CABLES PER TS DRAWINGS AND/OR SPECIFICATIONS. FINAL CABLE/OUTLET IDENTIFICATION LABELS SHALL BE COORDINATED WITH THE OWNER AND ENGINEER.
- CONTRACTOR TO PROVIDE LIGHTNING PROTECTION ON ALL COMMUNICATION CABLE BETWEEN BUILDINGS.
- ALL EXPOSED CABLING ROUTED IN PLENUM SHALL BE PLENUM-RATED. ALL NON PLENUM-RATED CABLING INSTALLED IN PLENUM SPACES SHALL BE INSTALLED IN CONDUIT.
- NO TERMINATION OR SPLICES SHALL BE INSTALLED IN OR ABOVE CEILINGS UNLESS NOTED NOTED OTHERWISE.
- CONTRACTOR SHALL MAINTAIN WALL RATING WITH PROPER FIRE BLOCKING METHODS.
- ALL CABLE INSTALLED SHALL ROUTE TO THE CENTER OF THE ROOM IN WHICH IT SERVES AND THEN TO THE OUTLET LOCATION IT IS INTENDED FOR. EACH CABLE SHALL HAVE A 10' SERVICE LOOP AT THE CENTER OF EACH ROOM AND A 3' SERVICE LOOP ABOVE EACH OUTLET LOCATION.
- PROVIDE AND INSTALL ONE (1) CATEGORY 6 CABLE TO EACH VIDEO SURVEILLANCE CAMERA ON THE ENTIRE PROJECT. REFERENCE VIDEO SURVEILLANCE LEGEND, NOTES, FLOOR PLANS, DETAILS, AND SCHEDULE.
- PROVIDE AND INSTALL ONE (1) CATEGORY 6 CABLE TO THE BUILDING'S ACCESS CONTROL HEAD END PANEL. TERMINATION OF THIS CABLE SHALL BE COORDINATED WITH THE SYSTEM INSTALLER.
- PROVIDE AND INSTALL ONE (1) CATEGORY 6 CABLE TO THE BUILDING'S INTRUSION DETECTION PANEL. TERMINATION OF THIS CABLE SHALL BE COORDINATED WITH THE SYSTEM INSTALLER.
- PROVIDE AND INSTALL ONE (1) CATEGORY 6 CABLE TO EACH LIGHTING CONTROL HUB ON THE ENTIRE PROJECT. COORDINATE EXACT QUANTITY AND LOCATIONS WITH THE LIGHTING CONTROL SYSTEM INSTALLER. CONTRACTOR TO ASSUME A MINIMUM OF TEN (10) PER PROJECT.
- PROVIDE AND INSTALL TWO (2) CATEGORY 6 DATA CIRCUITS TO EACH FSD (ALL VARIATIONS OF), CMP, WMP, AND DS ON THE ENTIRE PROJECT. COORDINATE ANY DISCREPANCIES WITH ENGINEER.
- PROVIDE AND INSTALL ONE (1) CATEGORY 6 DATA CIRCUIT TO THE LOCAL AIR UNIT CONTROLLER IN EACH MDF AND IDF.
- PROVIDE AND INSTALL ONE (1) CATEGORY 6 DATA CIRCUIT TO EACH ACCESS CONTROL VIDEO DOOR STATION AND MASTER STATION ON THE ENTIRE PROJECT. COORDINATE EXACT LOCATION AND TERMINATION REQUIREMENTS WITH THE DOOR STATION INSTALLER, PRIOR TO INSTALLATION.

AUDIO/VIDEO LEGEND

| | |
|--|--|
| 'AV-#' | INDICATES THAT THE DESIGNATED TECHNOLOGY OUTLET IS INTENDED FOR AN AUDIO/VIDEO (AV) INPUT. CONTRACTOR TO PROVIDE AND INSTALL A FLOOR MOUNTED OR WALL MOUNTED BOX AS INDICATED. (1) 1.25" CONDUIT AND (1) 1" CONDUITS FROM THE BOX TO THE NEAREST, PLENUM ACCESSIBLE CEILING WITHIN THE SAME ROOM. ALL FLOOR AND WALL MOUNTED BOXES SHALL BE A MINIMUM OF 2-GANGS. *# - WHEN REPLACED WITH A '1' (AV-1) ONLY, THE OUTLET SHALL BE A STANDALONE, LOCAL INPUT TIED TO A LOCAL VIDEO DISPLAY (FSD, CMP, WMP, AV-2, ETC.). THIS OUTLET WILL NOT BE ASSOCIATED WITH ANY SYSTEM FOR ROUTING TO DISPLAYS LOCATED IN ANY OTHER PORTION OF THE PROJECT. IF NOT REPLACED WITH A '1' SEE THE NOTES AT THE BOTTOM OF THE LEGEND FOR ADDITIONAL INSTRUCTIONS. |
| 'FSD-#' | INDICATES THE LOCATION OF A FLAT PANEL VIDEO DISPLAY. CONTRACTOR TO PROVIDE AND INSTALL TWO (2) CATEGORY 6 UTP NETWORK CABLE TO ALL LOCATIONS SHOWN ON THE ENTIRE PROJECT. *# - WHEN REPLACED WITH A '1' (FSD-1) ONLY, THE OUTLET SHALL BE A STANDALONE AND ONLY HAVE THE CATEGORY 6 CABLE ROUTED TO IT, FROM THE MDF/IDF SERVING THE DEVICES AREA ROOM. *# - WHEN REPLACED WITH A '2' (FSD-2) ONLY, THE OUTLET SHALL HAVE THE CATEGORY 6 CABLE ROUTED TO IT, FROM THE MDF/IDF SERVING THE DEVICES AREA, AND THE CABLING FROM THE ASSOCIATED AV-1. *# - WHEN NOT REPLACED WITH A '1' OR '2', SEE THE "NOTES" SECTION AT THE END OF THIS LEGEND. EACH FSD OUTLET SHALL BE A 2-GANG BOX AND TWO (2) 1.25 CONDUITS STUBBING INTO THE ROOMS ACCESSIBLE CEILING. PROVIDE ONE DOUBLE-GANG FACEPLATE WITH TWO (2) DECORA PORTS. PROVIDE A DECORA STYLE INSERT THAT ACCEPTS THE STYLE OF DATA JACK BEING USED FOR STRUCTURED CABLING. WHEN THERE IS A LOCAL AV INPUT ASSOCIATED WITH THE DISPLAY, PROVIDE A DECORA INSERT THAT CONFORMS WITH THE SYSTEMS SPECIFIED. OTHERWISE PROVIDE A BLANK INSERT IN THE SECOND PORT. INDICATES THE LOCATION OF A WALL MOUNTED, INTERACTIVE VIDEO DISPLAY. PROVIDE AND INSTALL AV CABLE FROM THE ASSOCIATED AV-1 AS PER SYSTEM SPECIFICATIONS. RACEWAY SHALL CONSIST OF A 2-GANG BOX AND ONE (1) 1.25" CONDUITS STUBBING INTO THE ROOMS ACCESSIBLE CEILING. PROVIDE ONE DOUBLE-GANG FACEPLATE WITH TWO (2) DECORA PORTS. PROVIDE A DECORA STYLE INSERT THAT ACCEPTS THE STYLE OF DATA JACK BEING USED FOR STRUCTURED CABLING. WHEN THERE IS A LOCAL AV INPUT ASSOCIATED WITH THE DISPLAY, PROVIDE A DECORA INSERT THAT CONFORMS WITH THE SYSTEMS SPECIFIED. OTHERWISE PROVIDE A BLANK INSERT IN THE SECOND PORT. INDICATES THE LOCATION OF AN AUDIO/VIDEO CONTROL PLATE. RACEWAY SHALL CONSIST OF ONE (1) A BACK BOX WITH A 1" CONDUIT ROUTING INTO THE ACCESSIBLE CEILING SPACE WITHIN THE SAME ROOM. AV SYSTEM INSTALLER TO COORDINATE THE CONTROL BACK BOX SIZE REQUIREMENT WITH THE PROJECTS ELECTRICAL CONTRACTOR. LOCAL INSTRUCTIONAL SPACE PRESENTATION SPEAKER. REFERENCE SPECIFICATIONS FOR ADDITIONAL INFORMATION. INDICATES THE LOCATION OF A STREAMING CAMERA. CONTRACTOR TO PROVIDE AND INSTALL TWO (2) CATEGORY 6 UTP NETWORK CABLE TO ALL LOCATIONS SHOWN ON THE ENTIRE PROJECT. REFERENCE SPECIFICATION FOR ADDITIONAL INFORMATION. |
| 'VD' | INDICATES THE LOCATION OF A WALL MOUNTED, INTERACTIVE VIDEO DISPLAY. PROVIDE AND INSTALL AV CABLE FROM THE ASSOCIATED AV-1 AS PER SYSTEM SPECIFICATIONS. RACEWAY SHALL CONSIST OF A 2-GANG BOX AND ONE (1) 1.25" CONDUITS STUBBING INTO THE ROOMS ACCESSIBLE CEILING. PROVIDE ONE DOUBLE-GANG FACEPLATE WITH TWO (2) DECORA PORTS. PROVIDE A DECORA STYLE INSERT THAT ACCEPTS THE STYLE OF DATA JACK BEING USED FOR STRUCTURED CABLING. WHEN THERE IS A LOCAL AV INPUT ASSOCIATED WITH THE DISPLAY, PROVIDE A DECORA INSERT THAT CONFORMS WITH THE SYSTEMS SPECIFIED. OTHERWISE PROVIDE A BLANK INSERT IN THE SECOND PORT. |
| 'AVC-#' | INDICATES THE LOCATION OF AN AUDIO/VIDEO CONTROL PLATE. RACEWAY SHALL CONSIST OF ONE (1) A BACK BOX WITH A 1" CONDUIT ROUTING INTO THE ACCESSIBLE CEILING SPACE WITHIN THE SAME ROOM. AV SYSTEM INSTALLER TO COORDINATE THE CONTROL BACK BOX SIZE REQUIREMENT WITH THE PROJECTS ELECTRICAL CONTRACTOR. |
| 'PS' | LOCAL INSTRUCTIONAL SPACE PRESENTATION SPEAKER. REFERENCE SPECIFICATIONS FOR ADDITIONAL INFORMATION. |
| 'C-#' | INDICATES THE LOCATION OF A STREAMING CAMERA. CONTRACTOR TO PROVIDE AND INSTALL TWO (2) CATEGORY 6 UTP NETWORK CABLE TO ALL LOCATIONS SHOWN ON THE ENTIRE PROJECT. REFERENCE SPECIFICATION FOR ADDITIONAL INFORMATION. |
| NOTES: | |
| A. IN THE EVENT THAT "W" IS NOT DEFINED IN THE OUTLET DESCRIPTION, THE DEVICE SHALL BE CONSIDERED A STANDALONE DEVICE, SERVING THE SYSTEM WITHIN THE SAME SPACE OR THE FOLLOWING SHALL APPLY: *# - UNLESS SPECIFICALLY NOTED OTHERWISE, THE FOLLOWING SHALL APPLY TO EACH DEVICE SHOWN ON THE ENTIRE PROJECT: *# - SHALL BE REPLACED WITH ALPHABETICAL CHARACTERS THAT SHALL INDICATE THE SPECIFIC VENUE THAT THE DEVICE IS ASSOCIATED WITH. *# - SHALL BE REPLACED WITH A NUMERIC VALUE THAT SHALL IDENTIFY THE SPECIFIC DEVICE WITHIN THE SPECIFIC VENUE. | |
| B. THE AUDIO/VIDEO SYSTEM INTEGRATOR SHALL COORDINATE ALL BOX AND CONDUIT SIZE REQUIREMENTS PRIOR TO ROUGH-IN BY THE PROJECTS ELECTRICAL CONTRACTOR. | |
| C. REFERENCE SCOPE MATRIX AND PROJECT SPECIFICATIONS FOR INSTRUCTIONS REGARDING THE PROVIDING AND INSTALLATION OF VIDEO DISPLAYS, PROJECTORS, SCREENS, MOUNTS, AND LIFTS. | |

INTERCOM/CLOCK LEGEND

| | |
|---|--|
| [S] | PROVIDE AND INSTALL A 2", TILE REPLACEMENT, CEILING MOUNTED, 25/70V INTERCOM SPEAKER. SPEAKER TO BE INSTALLED FLUSH WITH CEILING UNLESS NOTED OTHERWISE. |
| [S2] | PROVIDE AND INSTALL A 12" CEILING MOUNTED, 25/70V INTERCOM SPEAKER THAT IS TO BE FLUSH MOUNTED IN A SOLID CEILING ENVIRONMENT. SYSTEM INSTALLER TO PROVIDE BACK CANS TO PROJECTS ELECTRICAL CONTRACTOR FOR INSTALLATION. ON PROJECTS WITHOUT AN ELECTRICAL CONTRACTOR THE INSTALLER SHALL BE RESPONSIBLE FOR THE COMPLETE INSTALLATION INCLUDING BACK CANS AND ASSOCIATED RACEWAY. |
| [S3] | INTERIOR WALL MOUNTED, 25/70V INTERCOM SPEAKER INTERCOM SPEAKER. SPEAKER TO BE INSTALLED FLUSH WITH WALL UNLESS NOTED OTHERWISE. SYSTEM INSTALLER TO PROVIDE BACK CANS TO PROJECTS ELECTRICAL CONTRACTOR FOR INSTALLATION. ON PROJECTS WITHOUT AN ELECTRICAL CONTRACTOR THE INSTALLER SHALL BE RESPONSIBLE FOR THE COMPLETE INSTALLATION INCLUDING BACK CANS AND ASSOCIATED RACEWAY. |
| [S4] | EXTERIOR WALL MOUNTED INTERCOM PAGING HORN. PAGING HORN SHALL BE TAPPED AT 7 WATTS UNLESS NOTE OTHERWISE. SYSTEM INSTALLER TO PROVIDE BACK CANS TO PROJECTS ELECTRICAL CONTRACTOR FOR INSTALLATION. ON PROJECTS WITHOUT AN ELECTRICAL CONTRACTOR THE INSTALLER SHALL BE RESPONSIBLE FOR THE COMPLETE INSTALLATION INCLUDING BACK CANS AND ASSOCIATED RACEWAY. REFERENCE SHEET SPECIFICATIONS FOR MORE INFORMATION. |
| [VC] | PROVIDE AND INSTALL A WALL MOUNTED VOLUME CONTROL WITH EMERGENCY ANNOUNCEMENT PRIORITY OVERRIDE. VOLUME CONTROL SHALL BE INSTALLED WITH LEVEL ZERO ATTENUATING AT NO LESS THAN 10DB. DEVICE TO BE MOUNTED AT +48" AFF. |
| [CB] | PROVIDE AND INSTALL A WALL MOUNTED, INTERCOM CALL BUTTON. DEVICE TO BE MOUNTED AT +48" AFF |
| [ACS] | PROVIDE AND INSTALL AN IP ADMINISTRATIVE CALL STATION. DEVICE OUTLET TO BE INSTALLED IN THE WORKSTATION KNEE SPACE AND THE DEVICE SHALL RESIDE ON THE WORKSTATION SURFACE. |
| [C] | INDICATES THE LOCATION OF A SINGLE FACE SECONDARY TIME CLOCK. REFERENCE SPECIFICATIONS FOR ADDITIONAL INFORMATION. PROVIDE CABLING AS REQUIRED FOR THE TYPE OF CLOCK BEING INSTALLED. - IP BASED CLOCKS - PROVIDE ONE (1) CATEGORY 6 CABLE PER FACE - 12V/24V CLOCK TO BE POWERED VIA A CLOCK POWER SUPPLY AND CONNECTED TO THE SPECIFIED MASTER CLOCK. |
| [WA] | WIRELESS MICROPHONE ANTENNA REFERENCE SPECIFICATIONS FOR MORE INFORMATION. |
| [ALA] | ASSISTED LISTENING ANTENNA. REFERENCE SPECIFICATIONS FOR MORE INFORMATION. |
| NOTES: | |
| 1. REFERENCE SPECIFICATIONS FOR ADDITIONAL INFORMATION AND REQUIREMENTS | |
| [C2] | - 12V/24V CLOCK TO BE POWERED VIA A CLOCK POWER SUPPLY AND CONNECTED TO THE SPECIFIED MASTER CLOCK. - 12V/24V CLOCK TO BE POWERED VIA 120V ELECTRICAL OUTLET AT THE DEVICE LOCATION AND CONNECTED TO THE SPECIFIED MASTER CLOCK. |

ACCESS CONTROL LEGEND

| SYMBOL | DESCRIPTION |
|--------|---|
| [CR] | WALL OR MULLION MOUNTED ACCESS CONTROL PROXIMITY CARD READER |
| [CR2] | DOOR MOUNTED ACCESS CONTROL PROXIMITY CARD READER THAT IS INTEGRATED INTO THE DOOR HARDWARE. |
| [DR] | DOOR RELEASE BUTTON |
| [ACCP] | DESIGNATES THE LOCATION OF THE ACCESS CONTROL SYSTEM, CONTROL PANEL. ELECTRICAL CONTRACTOR TO PROVIDE 120V POWER TO PANEL. PROVIDE NETWORK CABLE TO PANEL AND COORDINATE WITH THE OWNER'S TECHNOLOGY DEPARTMENT ON ACQUIRING AN IP ADDRESS. |
| [DS] | WALL OR MULLION MOUNTED, 2-WAY AUDIO/VIDEO INTERCOM DOOR STATION. |
| [DS2] | DOOR MOUNTED, 2-WAY AUDIO/VIDEO INTERCOM DOOR STATION. |
| [MS] | 2-WAY AUDIO/VIDEO INTERCOM MASTER STATION. |
| [PB] | ADA AUTO DOOR OPEN BUTTON. SHOWN FOR REFERENCE ONLY. BUTTON AND AUTO DOOR OPERATOR PROVIDED AND INSTALLED BY THE DOOR SYSTEM INSTALLER. |
| [CC] | DPDT MAGNETIC DOOR CONTACT/DOOR POSITION SENSOR. FLUSH MOUNTED IN DOOR FRAME, UNLESS NOTED OTHERWISE. |
| [LD] | LOCKDOWN BUTTON |

NOTES:
1. REFERENCE ACCESS CONTROL SCHEDULE, DETAILS, AND DIVISION 28 SPECIFICATIONS FOR ADDITIONAL INFORMATION AND REQUIREMENTS

VIDEO SURVEILLANCE LEGEND

| SYMBOL | DESCRIPTION |
|---|--|
| [C#] | 4-SENSOR CAMERA WITH 3-SENSOR PROVIDING A 270 DEGREE AREA OF VIEW AND 1-SENSOR PROVIDING COVERAGE DIRECTLY UNDERNEATH THE CAMERA LOCATION. # TO BE REPLACED WITH AN ALPHABETICAL TEXT DEPICTING THE CAMERA TYPE AS ASSOCIATED WITH THE VIDEO SURVEILLANCE CAMERA SCHEDULE. |
| [C#2] | 4-SENSOR CAMERA, 4-SENSORS TO PROVIDE A 360 DEGREE AREA OF VIEW. # TO BE REPLACED WITH AN ALPHABETICAL TEXT DEPICTING THE CAMERA TYPE AS ASSOCIATED WITH THE VIDEO SURVEILLANCE CAMERA SCHEDULE. |
| [C#3] | 2-SENSOR CAMERA. EACH SENSOR SHALL BE POSITIONED TO PROVIDE COVERAGE IN THE DIRECTION SHOWN. # TO BE REPLACED WITH AN ALPHABETICAL TEXT DEPICTING THE CAMERA TYPE AS ASSOCIATED WITH THE VIDEO SURVEILLANCE CAMERA SCHEDULE. |
| [C#4] | 1-SENSOR CAMERA. SENSOR SHALL BE POSITIONED TO PROVIDE COVERAGE IN THE DIRECTION SHOWN. # TO BE REPLACED WITH AN ALPHABETICAL TEXT DEPICTING THE CAMERA TYPE AS ASSOCIATED WITH THE VIDEO SURVEILLANCE CAMERA SCHEDULE. |
| NOTES: | |
| 1. REFERENCE VIDEO SURVEILLANCE SCHEDULE AND DIVISION 28 SPECIFICATIONS FOR ADDITIONAL INFORMATION AND REQUIREMENTS | |

SECURITY GENERAL NOTES

- THE SECURITY SYSTEM INSTALLERS SHALL BE RESPONSIBLE FOR CONNECTING ALL APPLICABLE SYSTEM EQUIPMENT TO THE OWNER'S NETWORK.
 - THE SYSTEM INSTALLER SHALL PROPERLY SUPPORT ALL INSTALLED SYSTEM CABLING FROM AN APPROVED CABLE SUPPORT SYSTEM AS DETAILED IN SPECIFICATIONS. NO CABLING SHALL BE ROUTED AND TIED DIRECTLY TO BUILDING STEEL, CEILING GRID SUPPORT, CONDUIT, PIPING, OR DUCTWORK. THE CABLE SUPPORT SYSTEM SHALL BE DIRECTLY CONNECTED TO THE BUILDING'S STEEL JOIST. AT LOCATIONS WHERE THE BOTTOM OF THE JOIST IS MORE THAN 5' ABOVE THE CEILING, THE SYSTEM INSTALLER SHALL PROVIDE AND INSTALL THREADED ROD AND ALL REQUIRED MATERIALS TO CONNECT THE THREADED ROD TO THE BUILDING STEEL AND THE CABLE SUPPORT SYSTEM TO THE THREADED ROD. CABLE PATHWAY SHALL NOT BE HIGHER THAN 5' ABOVE THE CEILING AT ANY LOCATIONS.
 - SECURITY CAMERA SYSTEM INSTALLER SHALL PROVIDE A CEILING MOUNTED INSTALLATION KIT RECOMMENDED BY THE MANUFACTURER OF THE CAMERA. EACH CEILING MOUNTED CAMERA KIT SHALL HAVE A SUPPORT WIRE ATTACHED TO THE BUILDING'S STRUCTURE TO PREVENT THE CAMERA FROM DROPPING TO THE FLOOR AT ANY TIME. AT NO POINT SHALL THE WEIGHT OF THE CEILING MOUNTED SECURITY CAMERA BE SUPPORTED BY THE CEILING GRID SYSTEM OR CEILING TILES. ALL CEILING MOUNTED CAMERAS SHALL BE FLUSH MOUNTED.
 - ALL EXTERIOR AND WALL MOUNTED CAMERA LOCATIONS AND MOUNTING HEIGHTS MUST BE COORDINATED WITH THE OWNER PRIOR TO ROUGH-IN. COORDINATION MEETINGS SHALL BE SCHEDULED THROUGH THE ARCHITECT'S PROJECT MANAGER.
 - PROVIDE AND INSTALL MAGNETIC DOOR CONTACT AT ALL ROOF HATCHES ON THE ENTIRE PROJECT. CONTACTS TO BE CONNECTED TO THE BUILDING'S INTRUSION DETECTION SYSTEM.
- COORDINATE MONITORING REQUIREMENTS WITH THE INSTALLER FOR EACH SYSTEM AND THE OWNER. PROGRAM SYSTEM TO ALERT THE OWNER DESIGNATED PERSONNEL UPON A MONITORED ALARM EVENT

LOCAL SOUND SYSTEM LEGEND

| SYMBOL | DESCRIPTION |
|---|---|
| [S#] | VENUE SPECIFIC LOCAL SOUND SYSTEM SPEAKER. # TO BE REPLACED WITH NUMERIC VALUE INDICATING THE POSITION NUMBER OF THE VENUE SPECIFIC DEVICE. |
| [ESC#] | VENUE SPECIFIC LOCAL SOUND SYSTEM CONTROL PLATE. # TO BE REPLACED WITH NUMERIC VALUE INDICATING THE POSITION NUMBER OF THE VENUE SPECIFIC DEVICE. |
| [MI#] | VENUE SPECIFIC LOCAL SOUND SYSTEM MICROPHONE INPUT. # TO BE REPLACED WITH NUMERIC VALUE INDICATING THE POSITION NUMBER OF THE VENUE SPECIFIC DEVICE. |
| [ASM#] | VENUE SPECIFIC LOCAL SOUND SYSTEM 3.5MM AUXILIARY INPUT AND BLUETOOTH MIXER. # TO BE REPLACED WITH ALPHANUMERIC TEXT INDICATING THE ASSOCIATED VENUE AND MIXER NUMBER. CONTRACTOR TO PROVIDE AND INSTALL A RECESSED ENCLOSURE WITH FLUSH MOUNTED, LOCKABLE DOOR. DEVICE TO BE MOUNTED AT + 42" AFF. |
| [RACK] | INDICATED THE LOCATION OF THE VENUE SPECIFIC LOCAL SOUND SYSTEM HEAD END RACK. AMPLIFIERS, DSPS, AND ALL OTHER HEAD END EQUIPMENT SHALL BE INSTALLED IN THIS RACK/CABINET. |
| [WA] | WIRELESS MICROPHONE ANTENNA REFERENCE SPECIFICATIONS FOR MORE INFORMATION. |
| [ALA] | ASSISTED LISTENING ANTENNA. REFERENCE SPECIFICATIONS FOR MORE INFORMATION. |
| NOTES: | |
| 1. REFERENCE SPECIFICATIONS FOR ADDITIONAL INFORMATION AND REQUIREMENTS | |

TECHNOLOGY LEGEND

| | |
|---|---|
| 'DF' | DESIGNATES THAT THE ASSOCIATED TECHNOLOGY OUTLET IS INTENDED FOR THE USE OF A NETWORK CONNECTION. THE 'F' SHALL BE REPLACED WITH NUMERIC TEXT THAT IDENTIFIES THE TOTAL NUMBER OF CATEGORY 6 NETWORK CABLES THAT ARE TO BE INSTALLED AT THE TECHNOLOGY OUTLET LOCATION. CONTRACTOR TO PROVIDE AND INSTALL CATEGORY 6 NETWORK CABLES. CATEGORY 6 CONNECTORS, STAINLESS STEEL FACEPLATES WITH IDENTIFICATION WINDOWS, LABELS, BLANK INSERTS, AND ANY OTHER MATERIALS REQUIRED TO FURNISH A COMPLETE FUNCTIONAL AND TESTED OUTLET LOCATION. ALL FACEPLATES PROVIDED SHALL CONTAIN A MINIMUM 4-PORTS AND SHALL BE APPROPRIATELY SIZED TO ACCOMMODATE THE NUMBER OF CIRCUITS BEING INSTALLED AT THIS TECHNOLOGY OUTLET LOCATION. MAXIMUM OF SIX(6) DATA CABLES PER OUTLET. |
| 'W' | DESIGNATES THAT THE ASSOCIATED TECHNOLOGY OUTLET IS INTENDED FOR THE USE OF A WALL MOUNTED TELEPHONE CONNECTION. CONTRACTOR TO PROVIDE AND INSTALL (1) CATEGORY 6 NETWORK CABLE, (1) CATEGORY 8 CONNECTOR, STAINLESS STEEL WALL TELEPHONE FACEPLATE, LABELS, AND ANY OTHER MATERIALS REQUIRED TO FURNISH A COMPLETE FUNCTIONAL AND TESTED CIRCUIT AT EACH LOCATION SHOWN. CONTRACTOR SHALL MOUNT THIS OUTLET AT ADA HEIGHT (MATCH LIGHT SWITCH HEIGHT) AND COORDINATE ALL FINAL LOCATIONS WITH OTHER TRADES ON THE PROJECT TO VERIFY THAT THE LOCATION OF THE OUTLET MAINTAINS 8" OF CLEARANCE ON ALL FOUR SIDES OF THE BACK BOX. OUTLETS SHALL REMAIN CLEAR OF ROOM DOORS, CABINET DOORS, APPLIANCE DOORS, AND SLIDING DRAWERS. |
| 'AP' | DESIGNATES THAT THE ASSOCIATED TECHNOLOGY OUTLET IS INTENDED FOR THE USE OF A WIRELESS ACCESS POINT CONNECTION. CONTRACTOR TO PROVIDE AND INSTALL (2) CATEGORY 6 NETWORK CABLE, (2) CATEGORY 6 CONNECTOR, (2) CAT 6 BISCUIT JACK FACEPLATE WITH IDENTIFICATION WINDOWS, LABELS, AND ANY OTHER MATERIALS REQUIRED TO FURNISH A COMPLETE FUNCTIONAL AND TESTED CIRCUIT AT EACH LOCATION SHOWN. REFERENCE SPECIFICATIONS FOR PATCH CABLE REQUIREMENTS. |
| 'FF' | INDICATES THAT THE ASSOCIATED TECHNOLOGY OUTLET IS INTENDED FOR FURNITURE FEED. ALLOWING CABLING TO ROUTE INTO A MODULAR FURNITURE SYSTEM. CONDUIT SHALL BE SIZE TO ACCOMMODATE THE NUMBER CABLE ROUTING INTO TO THE FURNITURE SYSTEM. |
| 'VF' | VOICE OUTLET WITH CABLE AND TERMINATION AS INDICATED. |
| NOTES: | |
| REFERENCE TECHNOLOGY GENERAL NOTES, PLAN KEYED NOTES, AND ALL OTHER SYSTEM LEGENDS/NOTES. THE STRUCTURED CABLING SYSTEM CONTRACTOR SHALL PROVIDE AND INSTALL CATEGORY 6GA CABLE TO ALL SYSTEMS' EQUIPMENT REQUIRING NETWORK CONNECTIVITY. | |

RACEWAY LEGEND

| | |
|------|--|
| [C] | INDICATES THE LOCATION OF A FLOOR MOUNTED BOX AND RACEWAY FOR LOW VOLTAGE. CONTRACTOR TO PROVIDE AND INSTALL A FLOOR BOX. EACH FLOOR BOX SHALL HAVE ONE (1) SINGLE GANG PORT WITH ONE (1) 1" CONDUIT/PER EVERY SIX(6) CATEGORY 6 OR FOUR(4) CATEGORY 6A CABLES AND ONE (1) DOUBLE GANG PORT WITH ONE (1) 1 1/2" CONDUIT UNLESS NOTED OTHERWISE. ALL CONDUITS SHALL ROUTE FROM THE FLOOR BOX DIRECTLY TO THE WALL INDICATED AND STUB-UP INTO THE NEAREST ACCESSIBLE PLENUM CEILING. |
| [C2] | INDICATES THE LOCATION OF A CEILING MOUNTED OUTLET. CONTRACTOR SHALL MOUNT THIS OUTLET AT +12" ABOVE THE CEILING AND COORDINATE ALL FINAL LOCATIONS WITH OTHER TRADES ON THE PROJECT TO VERIFY THAT THE LOCATION OF THE OUTLET MAINTAINS 12" OF CLEARANCE FROM THE FRONT OF THE FACEPLATE FOR OWNER ACCESS. |
| [C3] | INDICATES THE LOCATION OF A NEW LOW VOLTAGE OUTLET. CONTRACTOR TO PROVIDE ONE (1) DOUBLE GANG BACK BOX WITH A SINGLE GANG REDUCER ONE (1) 1" CONDUIT STUBBING INTO THE NEAREST, ACCESSIBLE PLENUM CEILING. |
| [C4] | INDICATES THE LOCATION OF A NEW LOW VOLTAGE OUTLET. CONTRACTOR TO PROVIDE ONE (1) DOUBLE GANG BACK BOX WITH ONE (1) 1 1/2" CONDUITS STUBBING INTO THE NEAREST, ACCESSIBLE PLENUM CEILING. |
| [C5] | INDICATES THE LOCATION OF A NEW LOW VOLTAGE OUTLET. CONTRACTOR TO PROVIDE ONE (1) SINGLE GANG BACK BOX WITH ONE (1) 3/4" CONDUITS STUBBING INTO THE NEAREST, ACCESSIBLE PLENUM CEILING. |

NOTES:

- SYSTEM INSTALLER TO PROVIDE AND INSTALL A PLASTIC PROTECTIVE BUSHING ON ALL CONDUIT STUB-UP AND SLEEVES, PRIOR TO ROUTING CABLING IN CONDUIT, CUTTING BUSHING TO FIT ROUND INSTALLED CABLE WILL NOT BE ACCEPTED
- NO CONDUITS SHALL EXCEED FOR 40% MAXIMUM FILL RATIO. CONTRACTOR TO PROVIDE ADDITIONAL CONDUITS REQUIRED.
- ANY CONDUIT INSTALL FOR AUDIO /VIDEO SYSTEMS SHALL INCLUDE AT LEAST ONE (1) 1 1/4" CONDUIT.

INTRUSION DETECTION LEGEND

| | |
|-------|---|
| [IDP] | DESIGNATES THE LOCATION OF THE INTRUSION DETECTION SYSTEM, CONTROL PANEL, ZONE EXPANDER AND POWER SUPPLIES. ELECTRICAL CONTRACTOR TO PROVIDE 120V POWER TO PANEL. |
| [DC] | FLUSH MOUNTED MAGNETIC DOOR CONTACT. |

FIRE ALARM

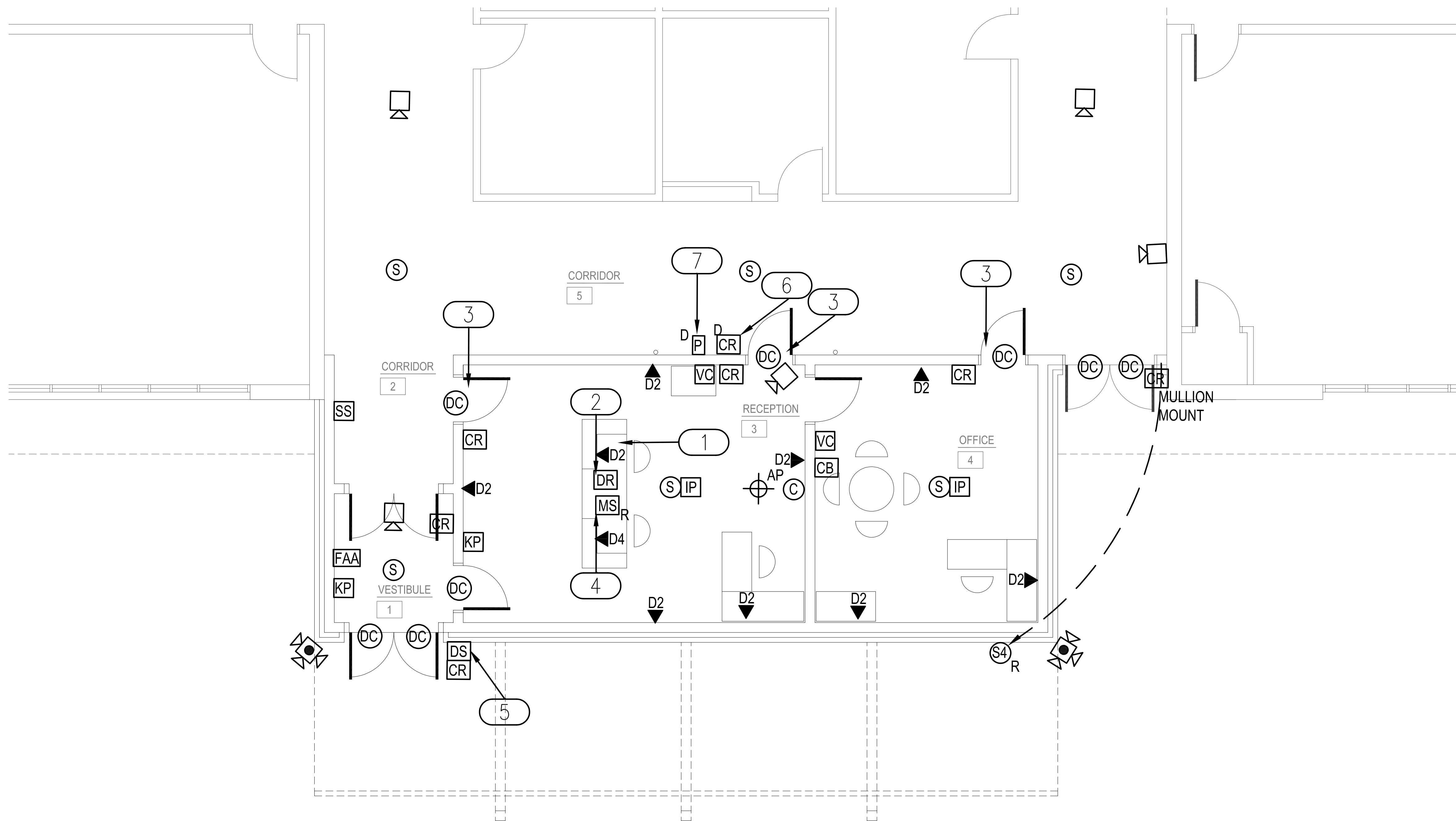
- A. FIRE ALARM SYSTEM SCOPE IS AN EXPANSION OF THE EXISTING SYSTEM. CONTRACTOR TO REFERENCE SHEET SPECIFICATIONS FOR ADDITIONAL INFORMATION.
- B. A LICENSED FIRE ALARM PLANNING SUPERINTENDENT CERTIFIED TO A MINIMUM LEVEL 3, IN THE SUBFIELD OF FIRE ALARM SYSTEMS THROUGH THE NATIONAL INSTITUTE FOR CERTIFICATION IN ENGINEERING TECHNOLOGIES (NICET), SHALL PROVIDE PLANS AND CALCULATIONS FOR A MANUAL AND AUTOMATIC FIRE DETECTION AND ALARM SYSTEM TO COMPLY WITH THE BUILDING SPACE LAYOUT, BUILDING OCCUPANCY, CURRENT NFPA 72, LOCAL AND STATE CODE REQUIREMENTS, AND THE FIRE ALARM AND DETECTION SYSTEM SPECIFICATIONS.

GENERAL NOTES

- ACCESS CONTROL: CONNECT NEW ACCESS CONTROL DEVICES TO NEW KEYSKAN CONTROLLER. IF SITE WILL HAVE A TEMPORARY PARENT ENTRANCE A DOOR STATION AND ACCESS CONTROL CARD READER SHALL BE INSTALLED AT TEMPORARY ENTRANCE.
- SECURITY: CONNECT NEW SECURITY DEVICES TO EXISTING DSC ZONE EXPANDER.
- INTERCOM: CONNECT NEW INTERCOM DEVICES TO EXISTING RAULAND TELECENTER U IP SYSTEM.
- CLOCK: CONNECT NEW TELECOR CLOCK TO EXISTING TELECOR CLOCK DRIVER
- DATA: CONNECT NEW DATA, WIFI AND CAMERA DROPS TO EXISTING MDF.
- FIRE: CONNECT NEW FIRE ALARM DEVICES TO EXISTING SILENT KNIGHT FIRE ALARM SYSTEM.

KEYED NOTES

- 1 CONTRACTOR TO RELOCATE EXISTING WIRELESS HOLD UP BUTTONS FROM OFFICE TO THIS NEW OFFICE. INSTALL 'HOLD UP' BUTTON UNDER COUNTER AND CONNECT TO EXISTING SECURITY ALARM SYSTEM.
- 2 COORDINATE WITH OWNER ON NUMBER OF BUTTONS WHICH DOORS ARE TO BE RELEASED.
- 3 INDICATED DOOR HARDWARE SHALL BE CAPABLE OF BEING LOCKED ON THE NEW OFFICE SIDE AND UNLOCKED ON THE HALLWAY SIDE DURING SCHOOL HOURS. SHALL ALSO BE CAPABLE OF BEING UNLOCKED ON THE NEW OFFICE SIDE AND LOCKED ON THE HALLWAY SIDE AFTER SCHOOL HOURS. CONTRACTOR TO COORDINATE WITH ARCHITECT AND PROVIDE ALL DOOR HARDWARE NEEDED TO ACCOMPLISH ABOVE MENTIONED FUNCTIONALITY. CONTRACTOR TO CONNECT DOOR HARDWARE/ACCESS CONTROL SYSTEM TO FIRE ALARM SYSTEM IF REQUIRED TO UNLOCK DOOR IN CASE OF FIRE ALARM.
- 4 RELOCATE EXISTING RAULAND INTERCOM CONSOLE.
- 5 RELOCATE EXISTING AVIGILON DOOR STATION AND MODULE. MODULE WILL NEED TO BE RELOCATED TO THE NEW KEYSKAN CONTROLLER OPERATING ENTRY DOOR.
- 6 CONTRACTOR TO REMOVE AND RETURN EXISTING CARD READER TO MPS TECHNOLOGY DEPARTMENT.
- 7 CONTRACTOR TO REMOVE FIRE ALARM PULL STATION IF CODE ALLOWS. RETURN DEVICE TO MPS TECHNOLOGY.



AGP
 the Abla Griffin
 Partnership L.L.C.
 201 N. BROADWAY
 SUITE 210
 MOORE, OK. 73160
 405.735.3477
 AGP@theAGP.net
 www.theAGP.net

KFC ENGINEERING
 STRUCTURAL
 SALAS O'BRIEN
 MECHANICAL / ELECTRICAL

NY
 drawn by
 NY
 checked by
 APRIL 2023
 date
 revisions

MOORE PUBLIC SCHOOLS
 BOARD OF EDUCATION
 MOORE, OKLAHOMA



OFFICE
 ADDITION -
 SOUTHGATE
 ELEMENTARY SCHOOL

sheet no:

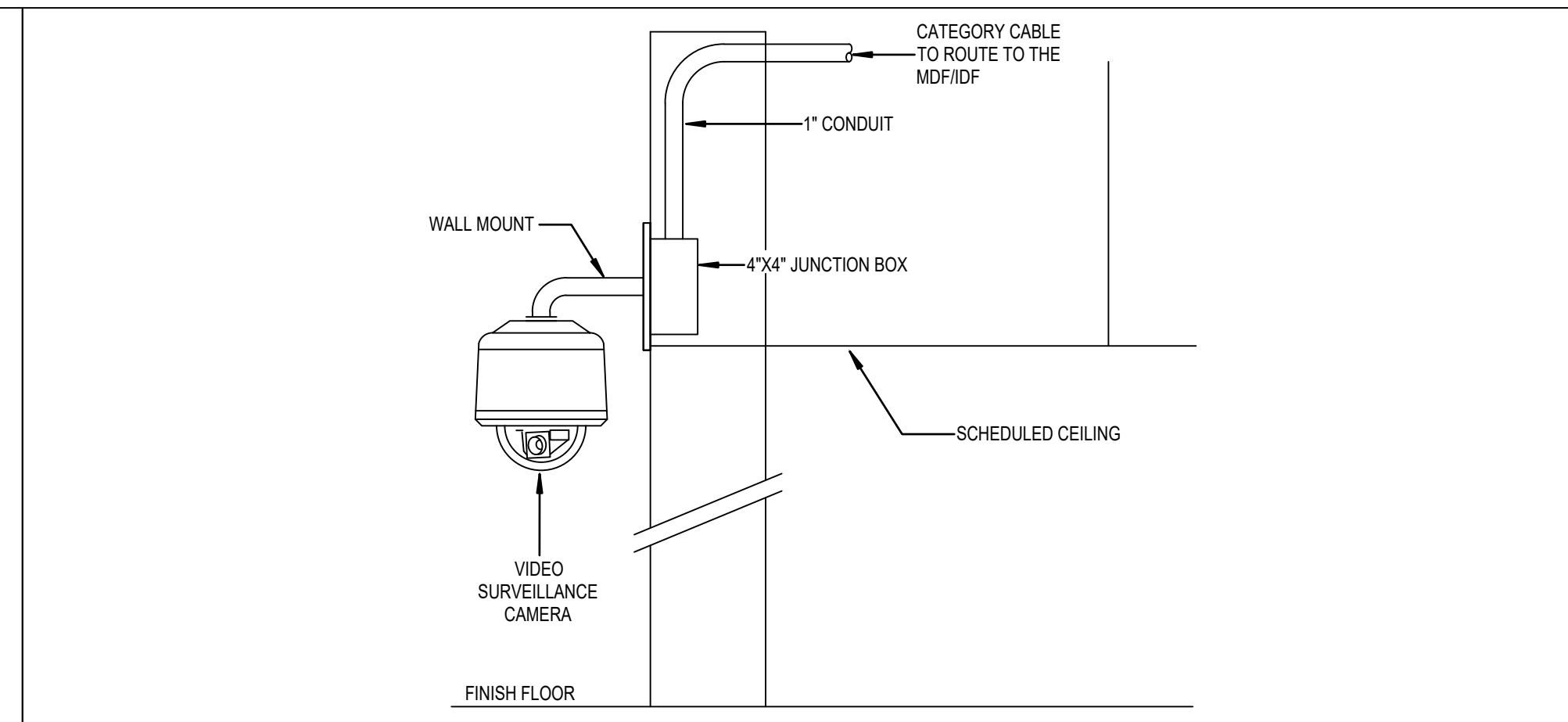
T101

1 TECHNOLOGY PLAN
 SCALE: 1/4" = 1'-0"

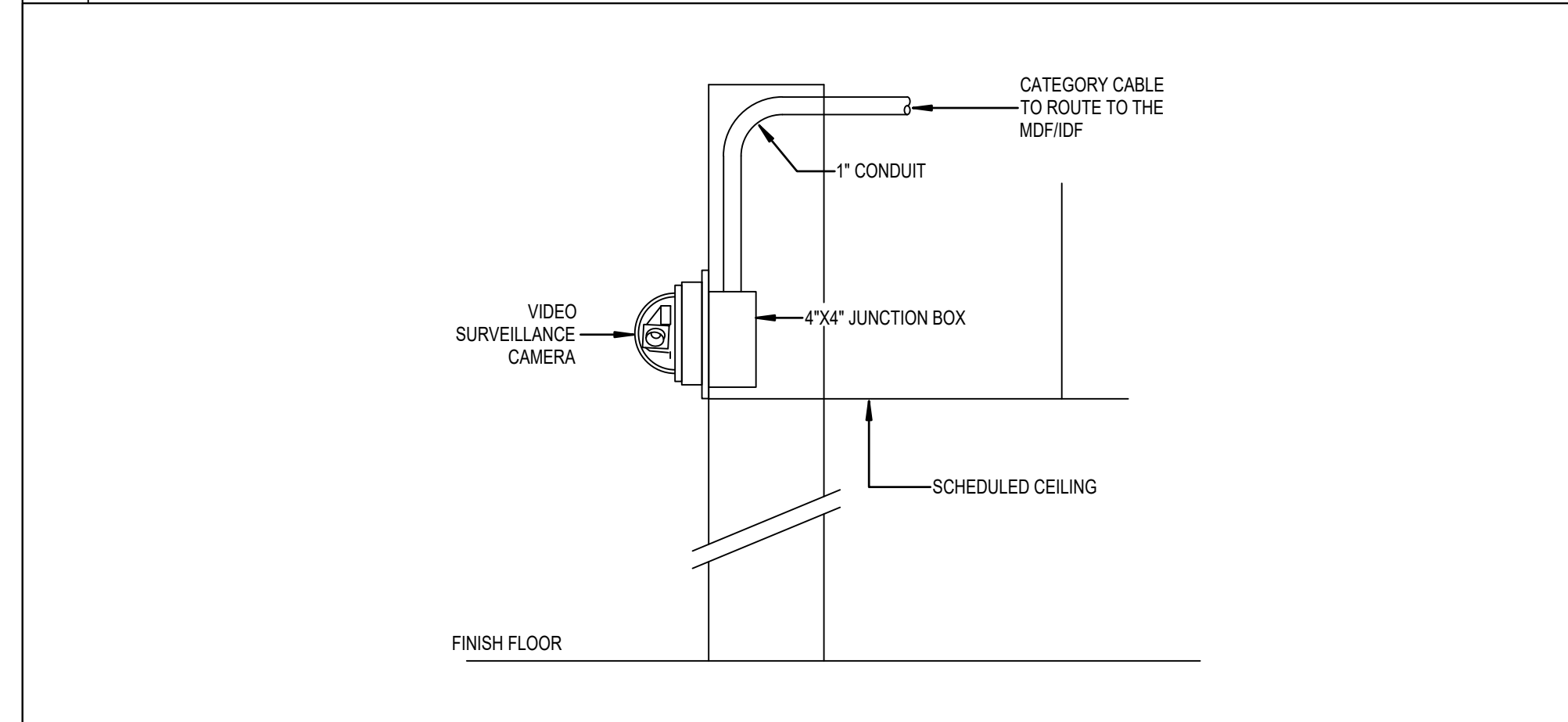
Salas O'Brien
 2600 Van Buren St., Suite 2635
 Norman, OK 73072
 Salas O'Brien Registration: CA# 7058
 Expiration Date: 6/30/2023
 Salas O'Brien Project Number: 2023-01140-00

OWNERSHIP USE OF DOCUMENTS:
 AGP EXPRESSLY RESERVES ITS
 COPYRIGHT AND OTHER PROPERTY
 RIGHTS OF ALL PLANS AND DRAWINGS
 DESIGNED AND/OR PRODUCED. PLANS
 AND DRAWINGS ARE NOT TO BE
 REPRODUCED IN ANY FORM OR MANNER
 WITHOUT THE EXPRESSED WRITTEN
 CONSENT OF AGP.

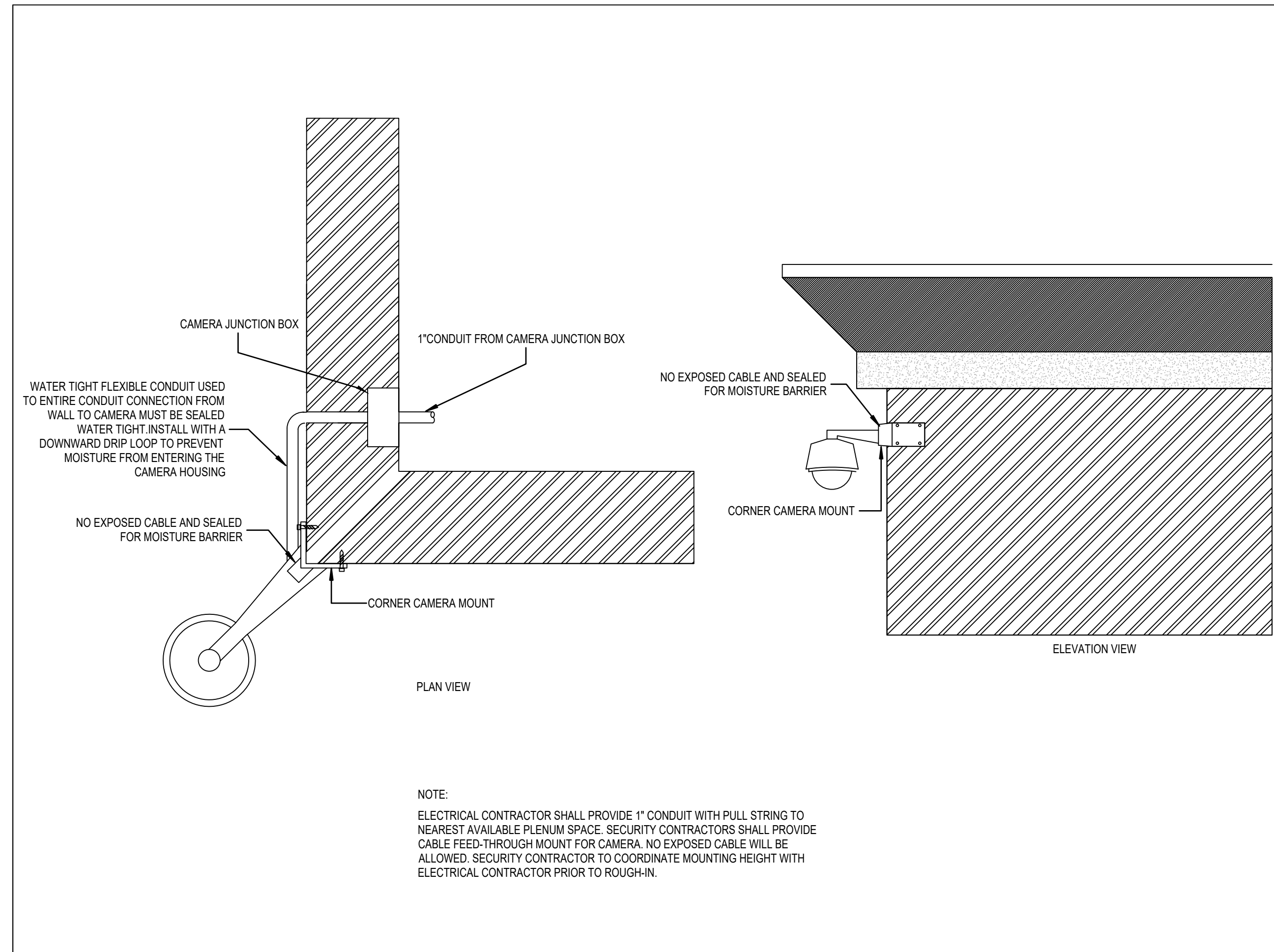




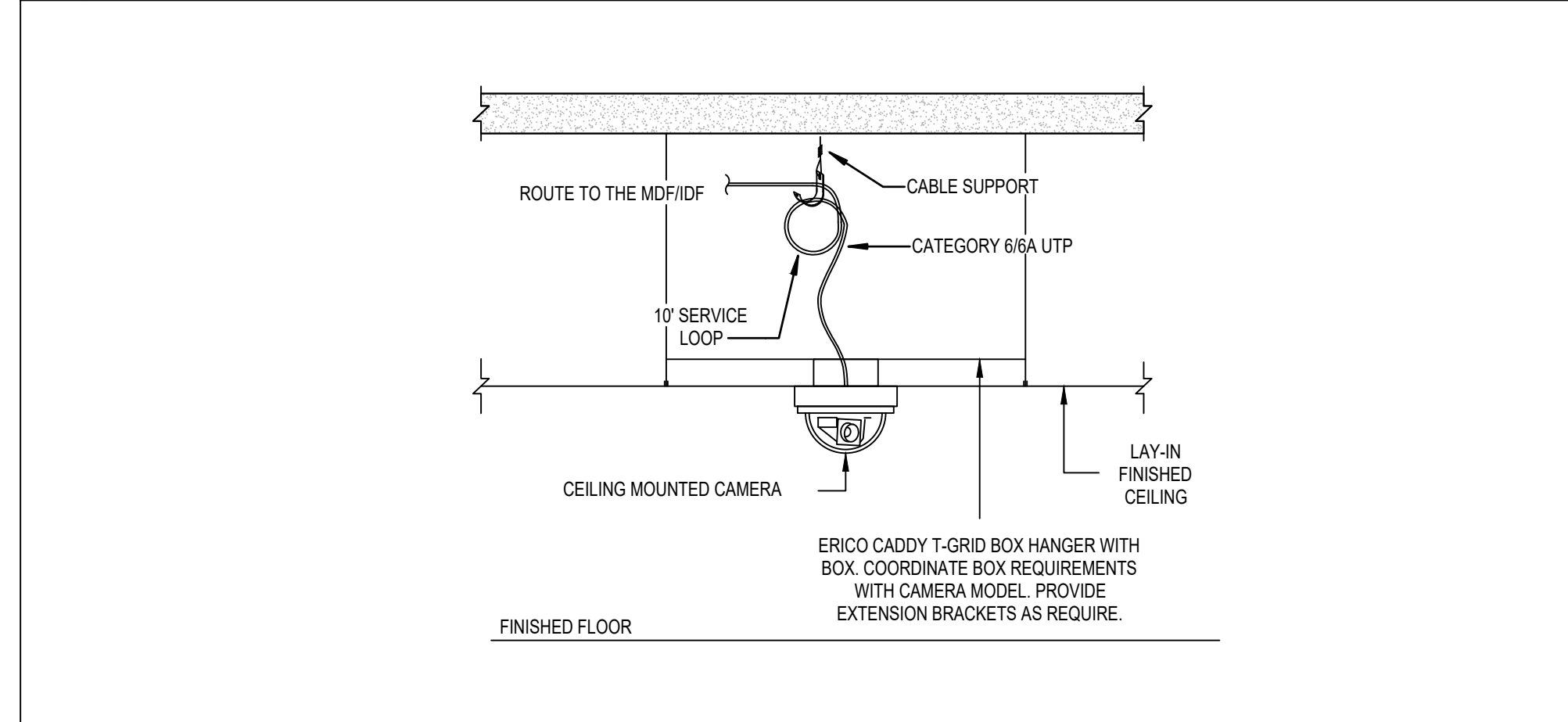
03 INTERIOR WALL MOUNTED DOME CAMERA NOT TO SCALE



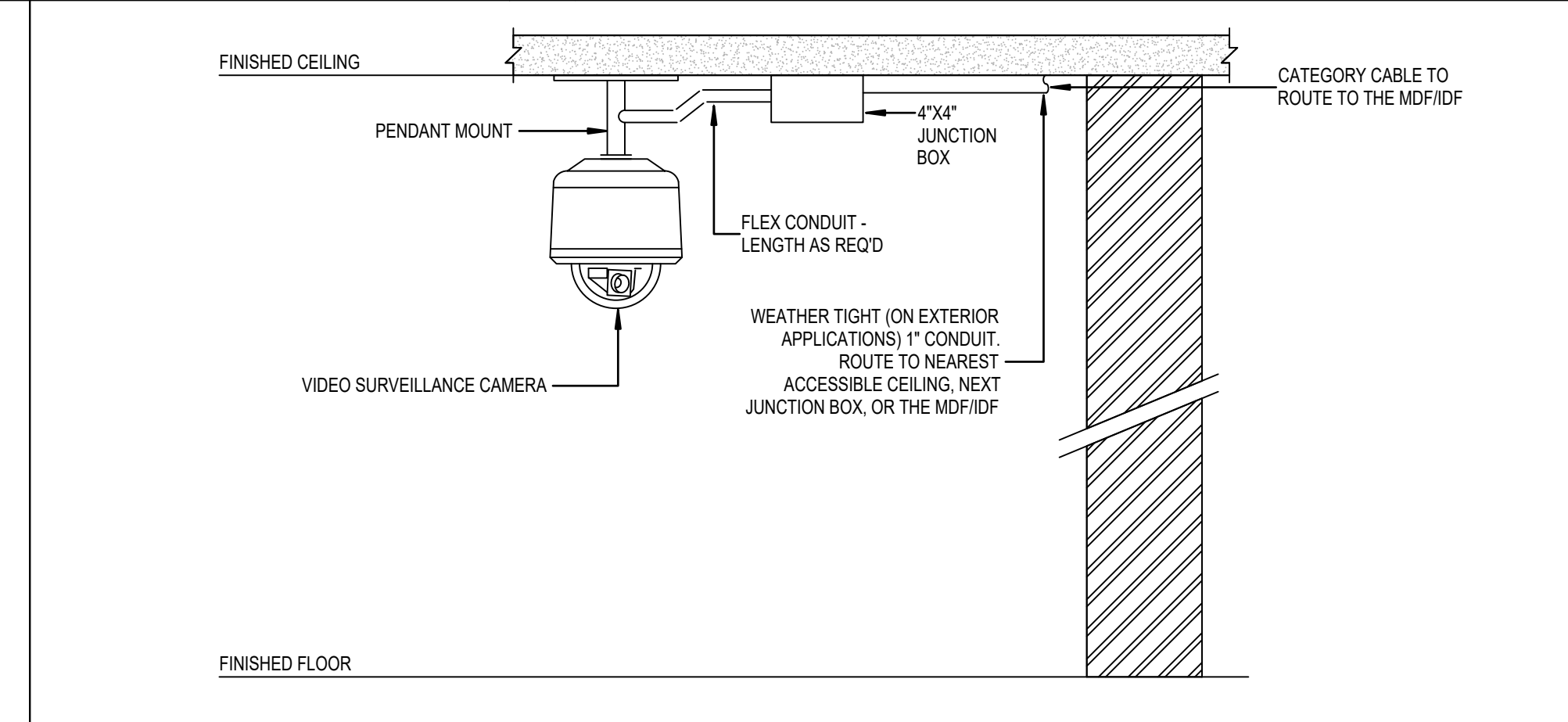
02 INTERIOR WALL MOUNT CAMERA-VERTICAL NOT TO SCALE



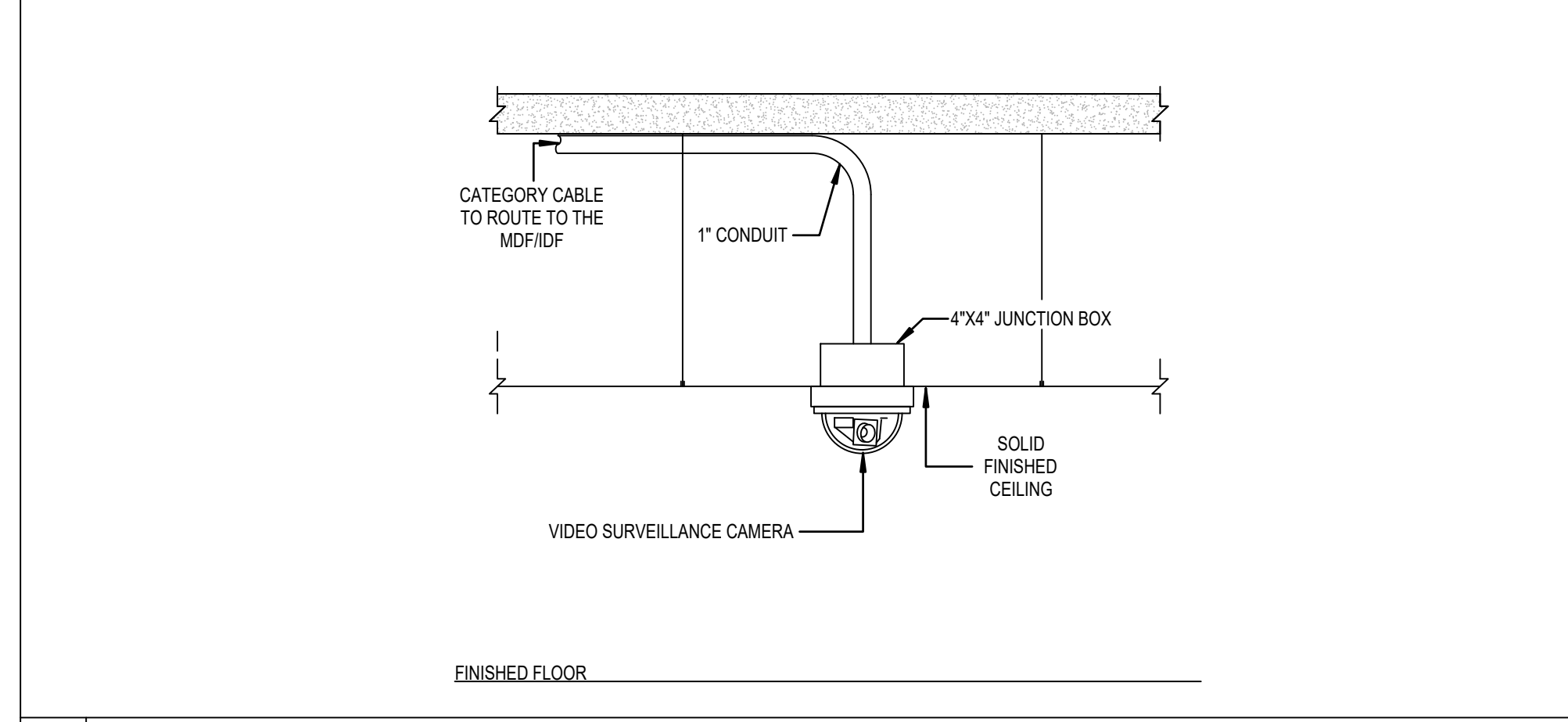
01 CORNER MOUNTING DETAIL NOT TO SCALE



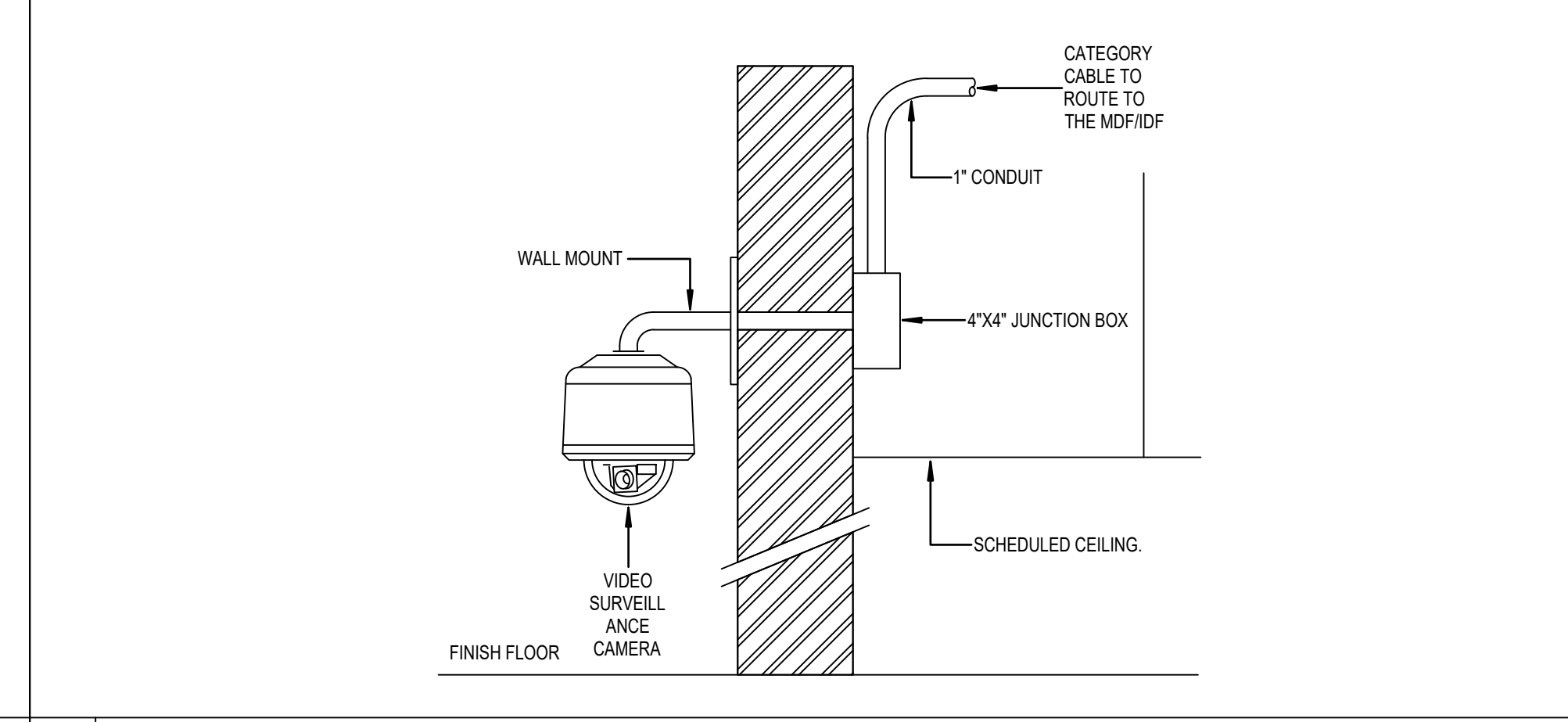
04 INTERIOR LAY-IN CEILING MOUNTED CAMERA NOT TO SCALE



05 EXT./INT. PENDANT MOUNTED DOME CAMERA NOT TO SCALE



06 EXTERIOR/INTERIOR SOLID CEILING MOUNT CAMERA NOT TO SCALE

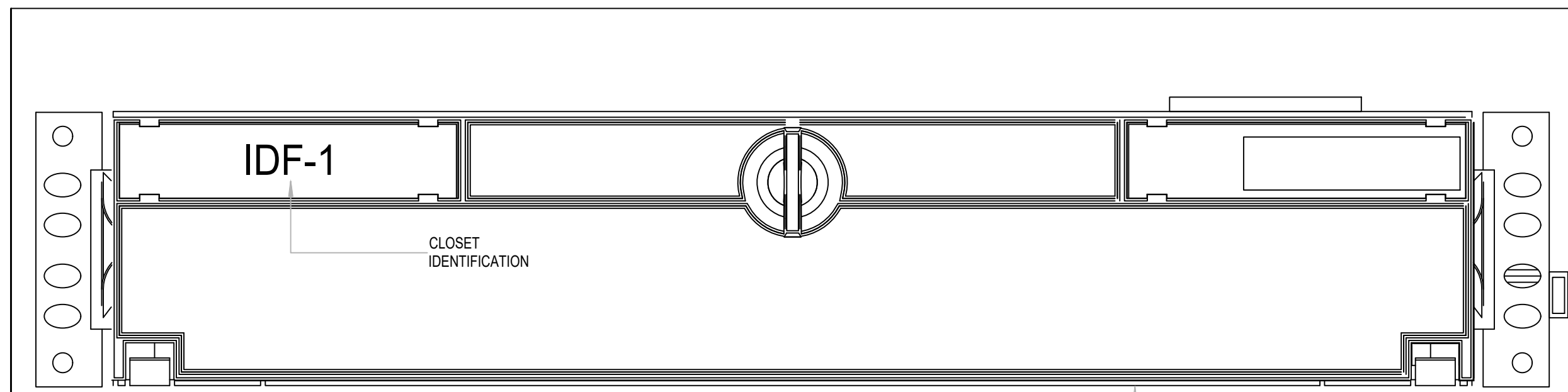


07 EXTERIOR WALL MOUNTED DOME CAMERA NOT TO SCALE

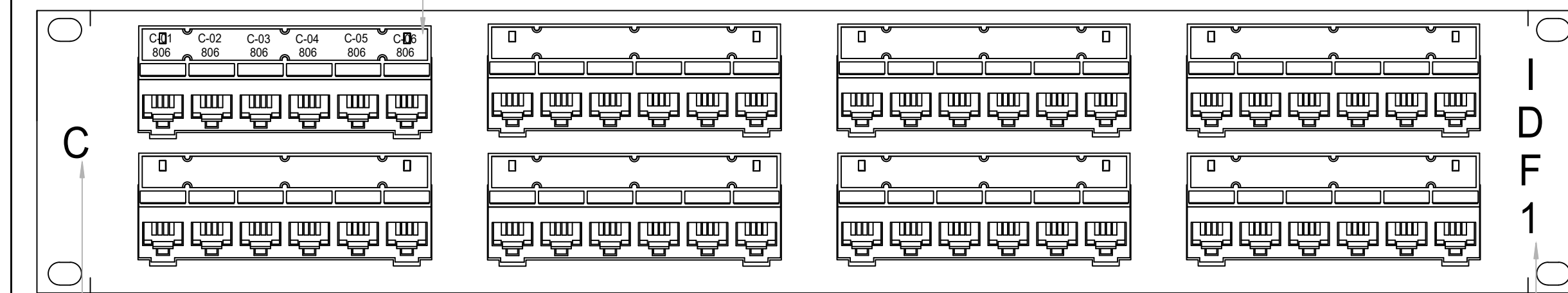
08 NOTES NOT TO SCALE

GENERAL NOTES:
A. ELECTRICAL CONTRACTOR SHALL PROVIDE CONDUITS AND BACK BOXES. CONDUITS SHALL ROUTE TO THE NEAREST, ACCESSIBLE PLENUM SPACE.
B. ALL WALL, CORNER, PENDANT, AND UNDER CANOPY MOUNTING HEIGHTS SHALL BE COORDINATED WITH THE OWNER AND SECURITY CONSULTANT PRIOR TO ROUGH-IN.
C. SECURITY CONTRACTOR SHALL PROVIDE CAMERAS, MOUNTING HARDWARE, AND ANY OTHER COMPONENTS AND/OR HARDWARE REQUIRED FOR A COMPLETE INSTALLATION.
D. REFERENCE VIDEO SURVEILLANCE CAMERA SCHEDULES, FLOOR PLANS, AND SPECIFICATIONS FOR ADDITIONAL INSTRUCTIONS.
E. CABLE FEED-THROUGH MOUNT FOR CAMERA. NO EXPOSED CABLE WILL BE ALLOWED. SECURITY CONTRACTOR TO COORDINATE MOUNTING HEIGHT WITH ELECTRICAL CONTRACTOR PRIOR TO ROUGH-IN.

08 NOTES NOT TO SCALE

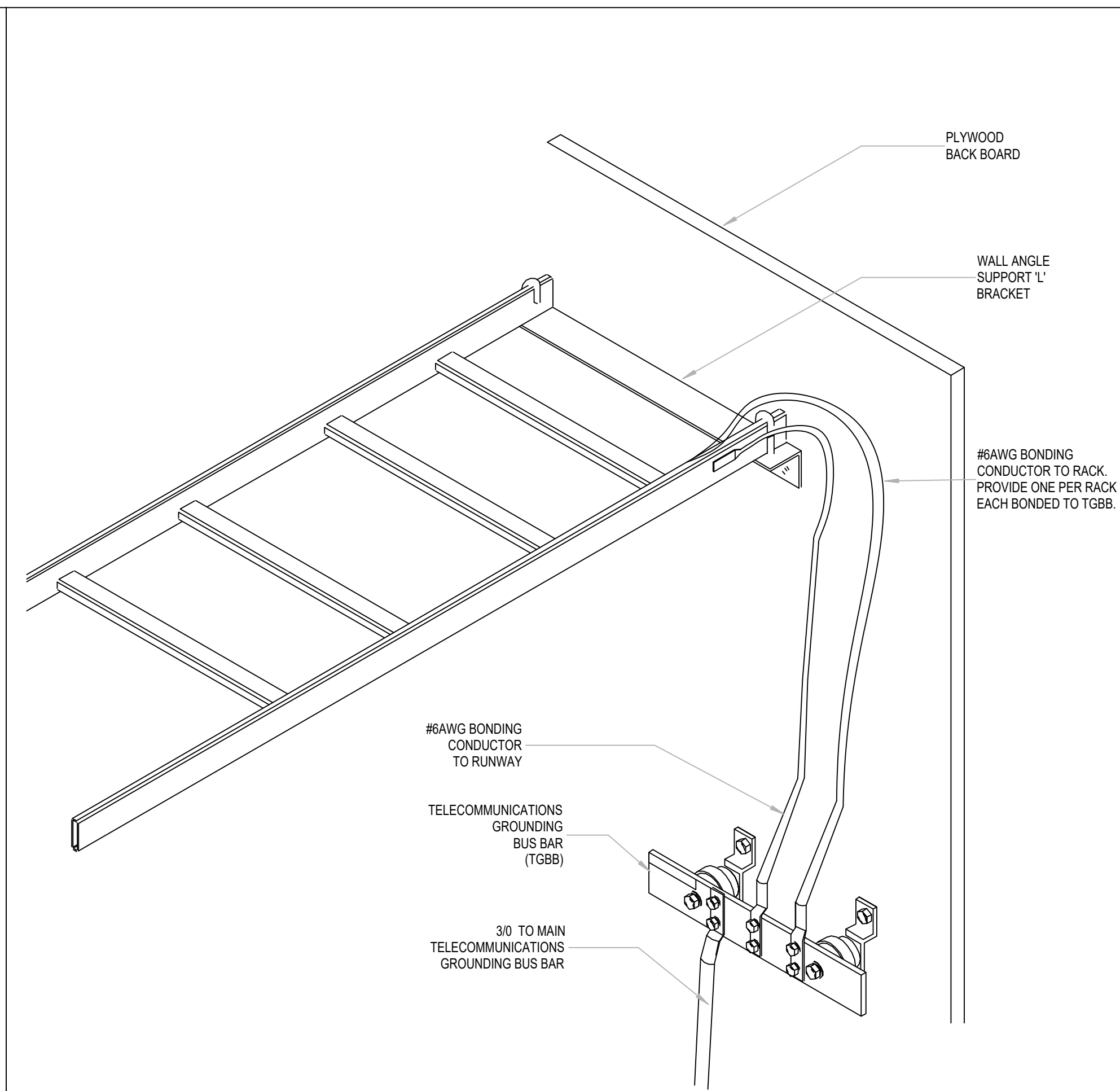


INDIVIDUAL PORT IDENTIFICATION:
EACH PATCH PANEL PORT SHALL BE LABELED WITH THE STATION PORT NUMBER AND THE ROOM NUMBER IT SERVES. (IN THIS CASE, PORTS 1-6 ARE SERVING CABLES 1 THRU 6 IN ROOM #806)
COORDINATE ROOM NUMBERS WITH FINAL GRAPHICS PACKAGE ROOM NUMBERS AND NOT CONSECUTION PLAN ROOM NUMBERS.



PANEL IDENTIFICATION (PANEL 'C' WOULD INDICATE THE 3RD PATCH PANEL IN THE COMMUNICATION CLOSET)

1. PATCH PANEL PORT LABELING SHALL BE GENERATED AND SHALL NOT BE LESS THEN 1/4" IN HEIGHT.
2. PATCH PANEL AND CLOSET IDENTIFICATION LABEL SHALL BE MACHINE GENERATED AND SHALL NOT BE LESS THEN 1/8" HEIGHT.
3. COORDINATE EXACT LABELING SCHEME WITH OWNER AND ENGINEER.

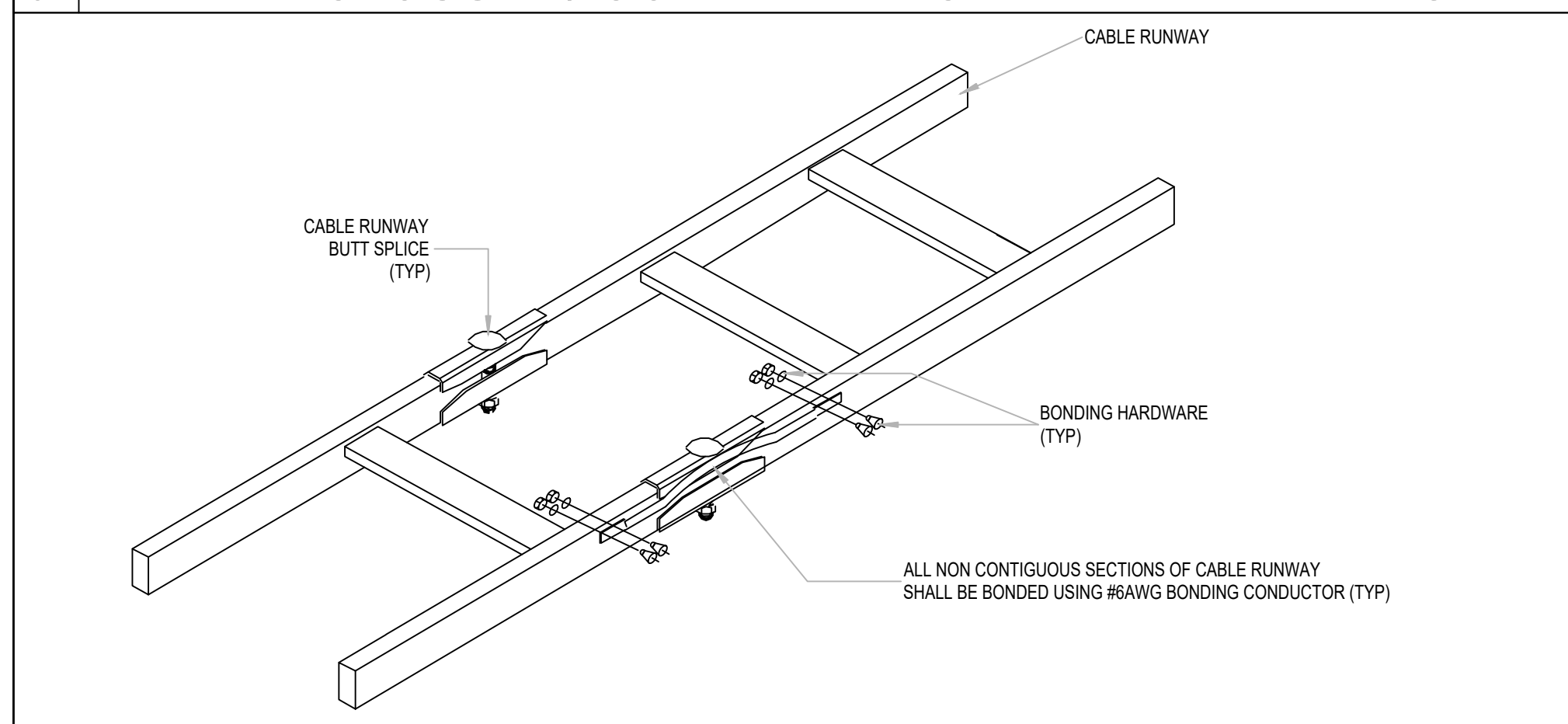


01 FIBER ENCLOSURE/ COPPER PATCH PANEL LABELING DETAIL

NOT TO SCALE

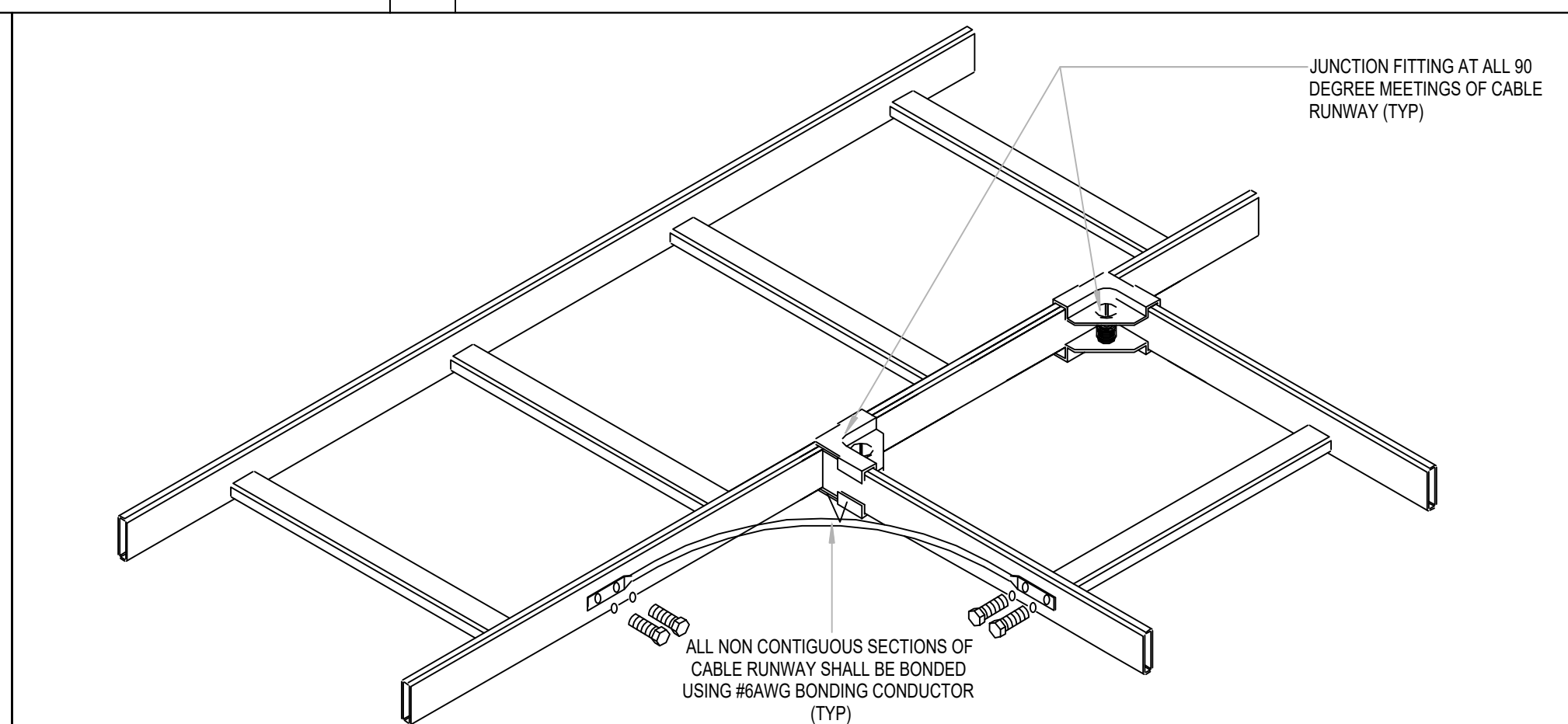
02 CABLE RUNWAY - GROUNDING AND BONDING

NOT TO SCALE



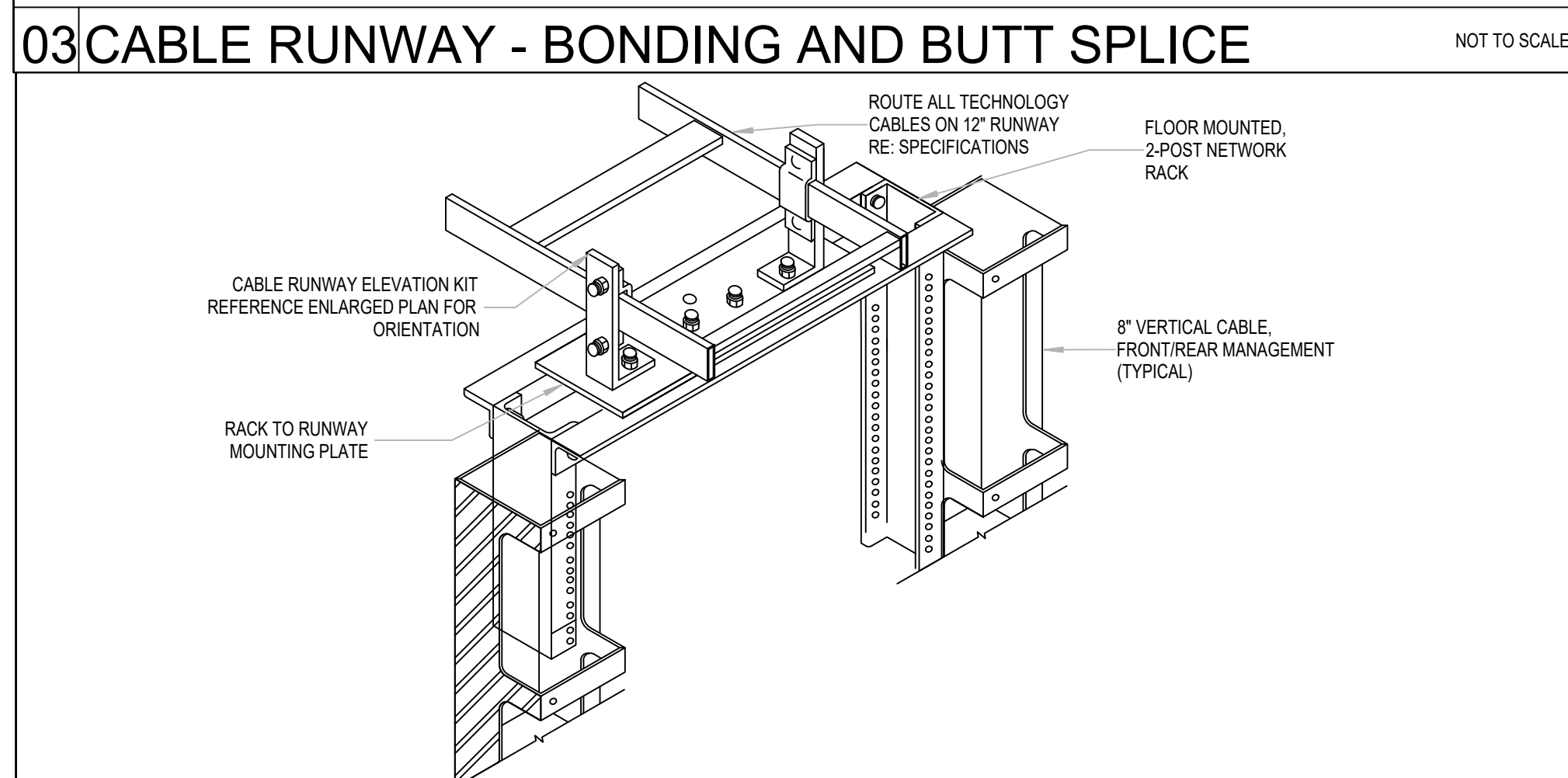
03 CABLE RUNWAY - BONDING AND BUTT SPLICE

NOT TO SCALE



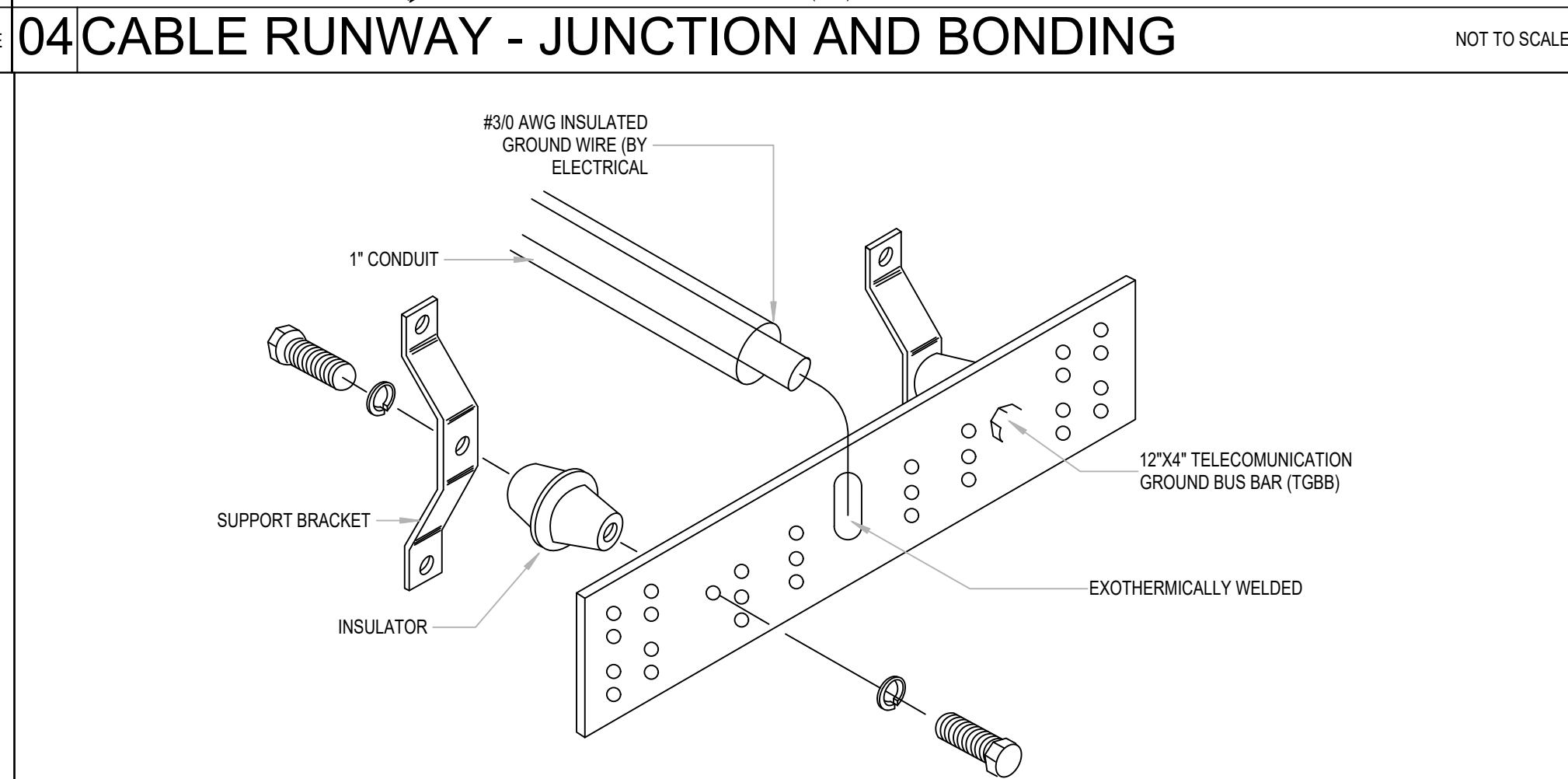
04 CABLE RUNWAY - JUNCTION AND BONDING

NOT TO SCALE



05 RACK TO RUNWAY DETAIL

NOT TO SCALE



06 TELECOMMUNICATION GROUNDING BUS DETAIL

NOT TO SCALE

NY
drawn by
NY
checked by
APRIL 2023
date
revisions

MOORE PUBLIC SCHOOLS
BOARD OF EDUCATION
MOORE, OKLAHOMA

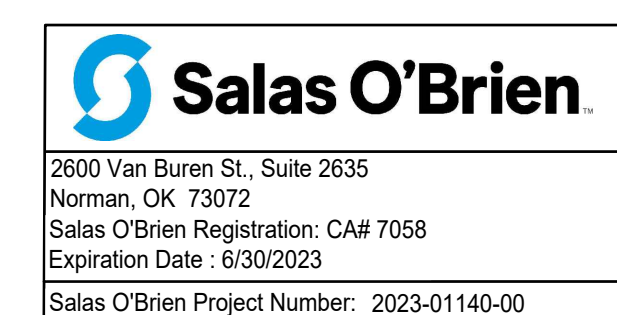


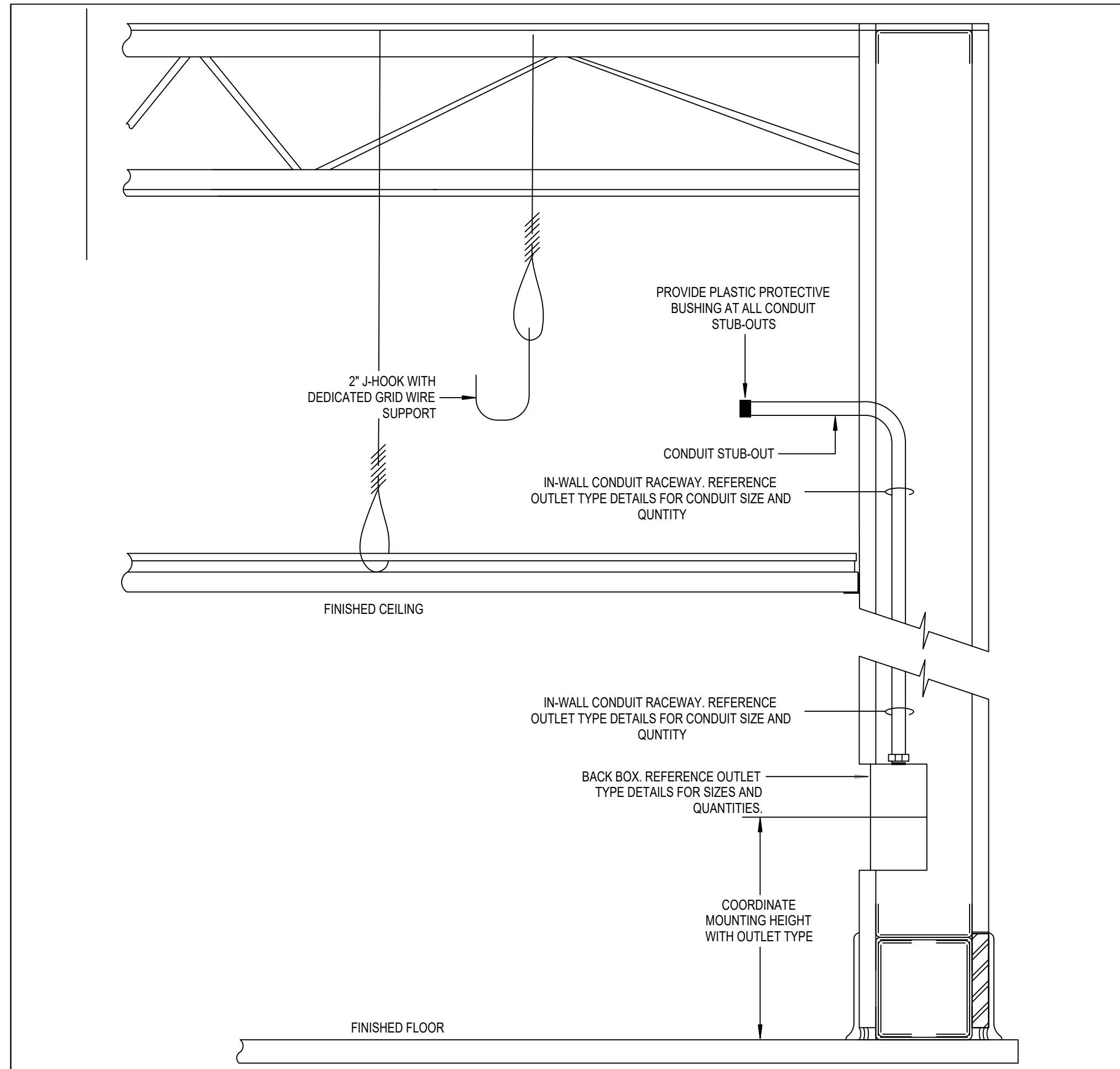
OFFICE
ADDITION -
SOUTHGATE
ELEMENTARY SCHOOL

sheet no:

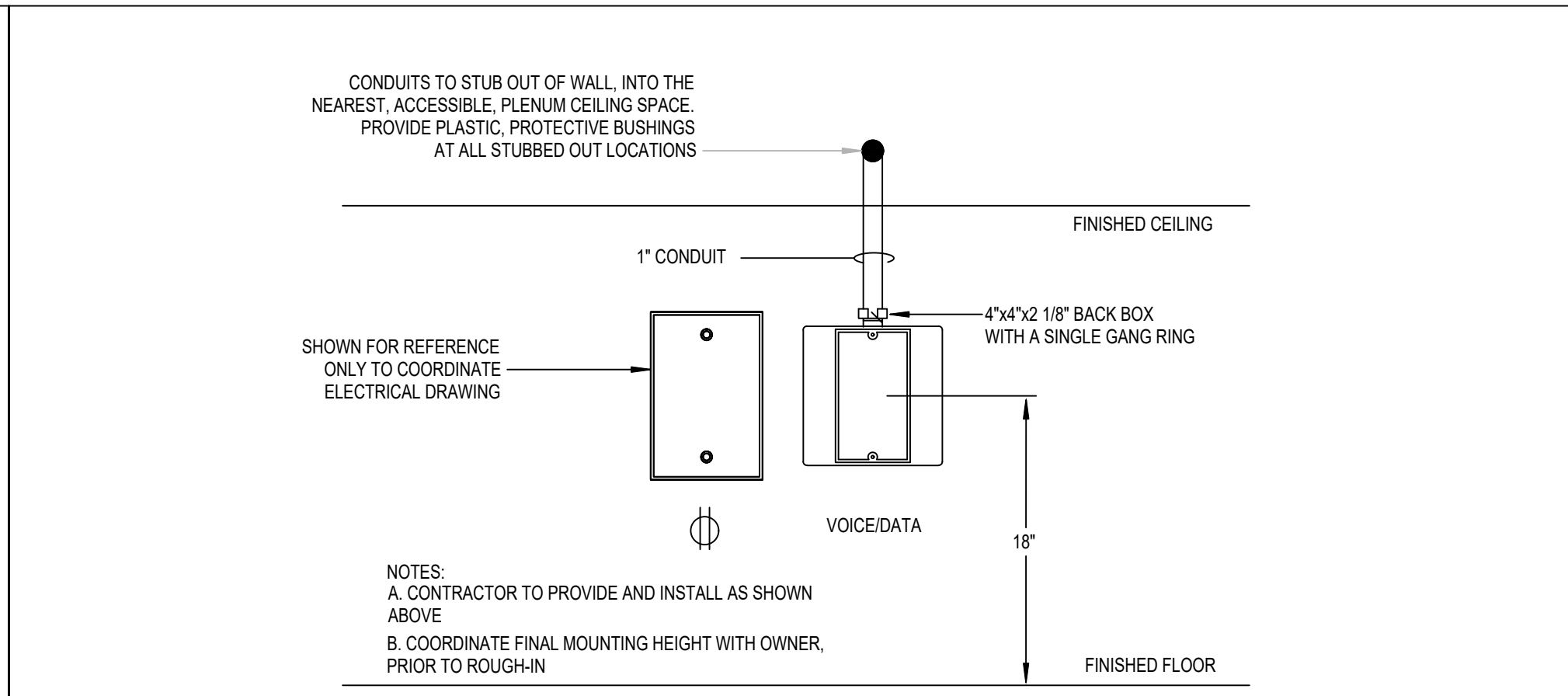
T402

OWNERSHIP USE OF DOCUMENTS:
AGP EXPRESSLY RESERVES ITS
COPYRIGHT AND OTHER PROPERTY
RIGHTS OF ALL PLANS AND DRAWINGS
DESIGNED AND/OR PRODUCED, PLANS
AND DRAWINGS ARE NOT TO BE
REPRODUCED IN ANY FORM OR MANNER
WITHOUT THE EXPRESSED WRITTEN
CONSENT OF AGP.

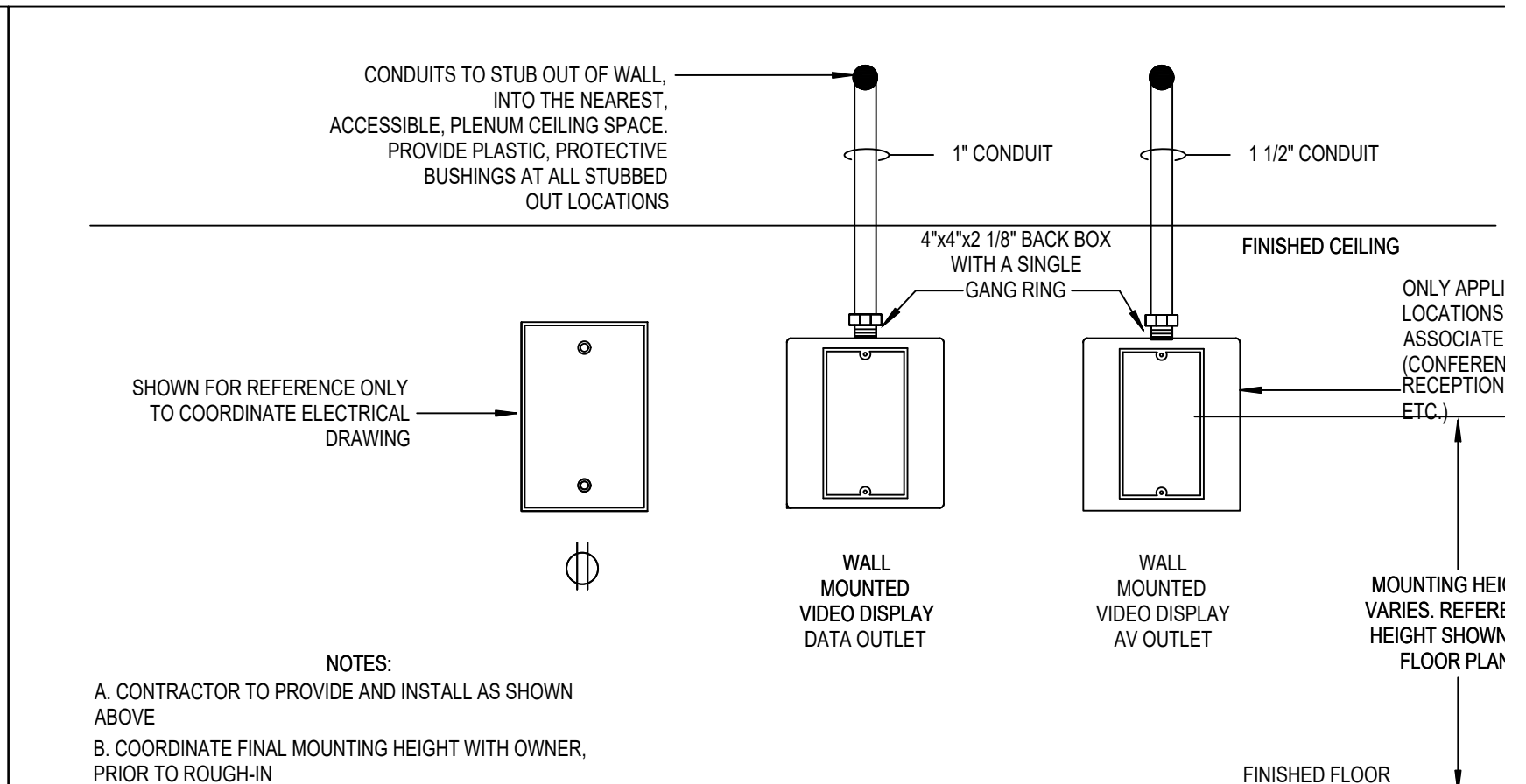




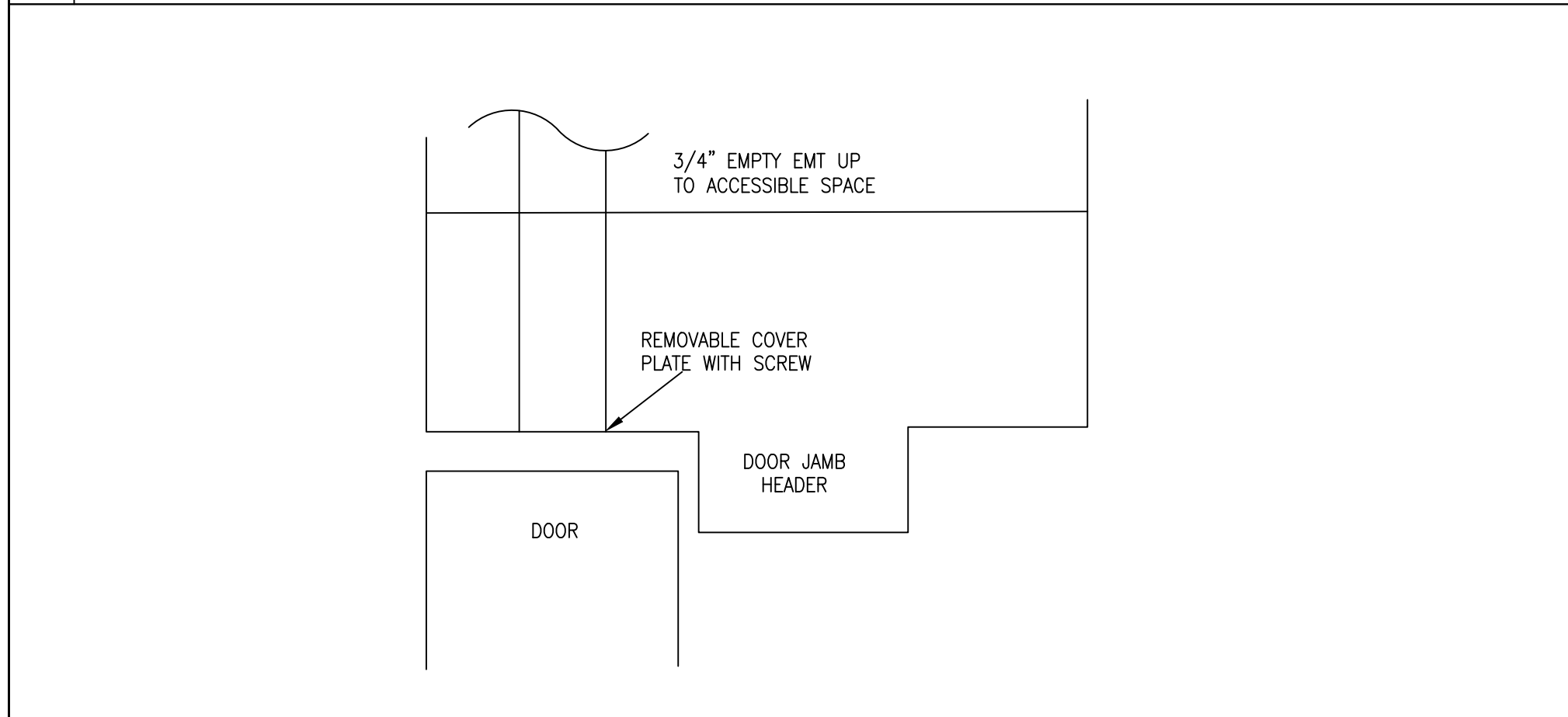
01 LOW VOLTAGE ELEVATION - IN-WALL RACEWAY NOT TO SCALE



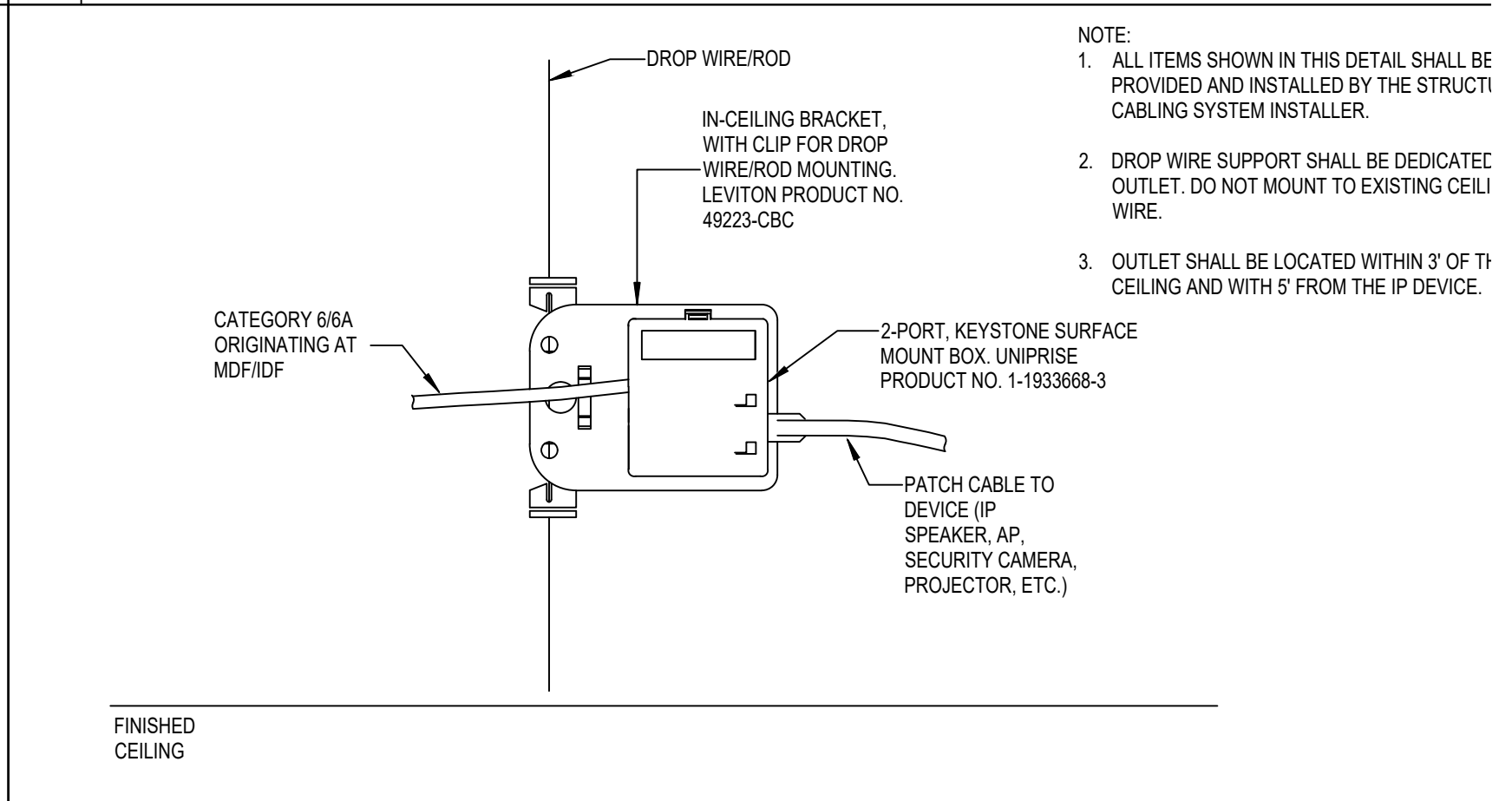
02 RACEWAY DETAIL - TYPICAL VOICE/DATA OUTLET NOT TO SCALE



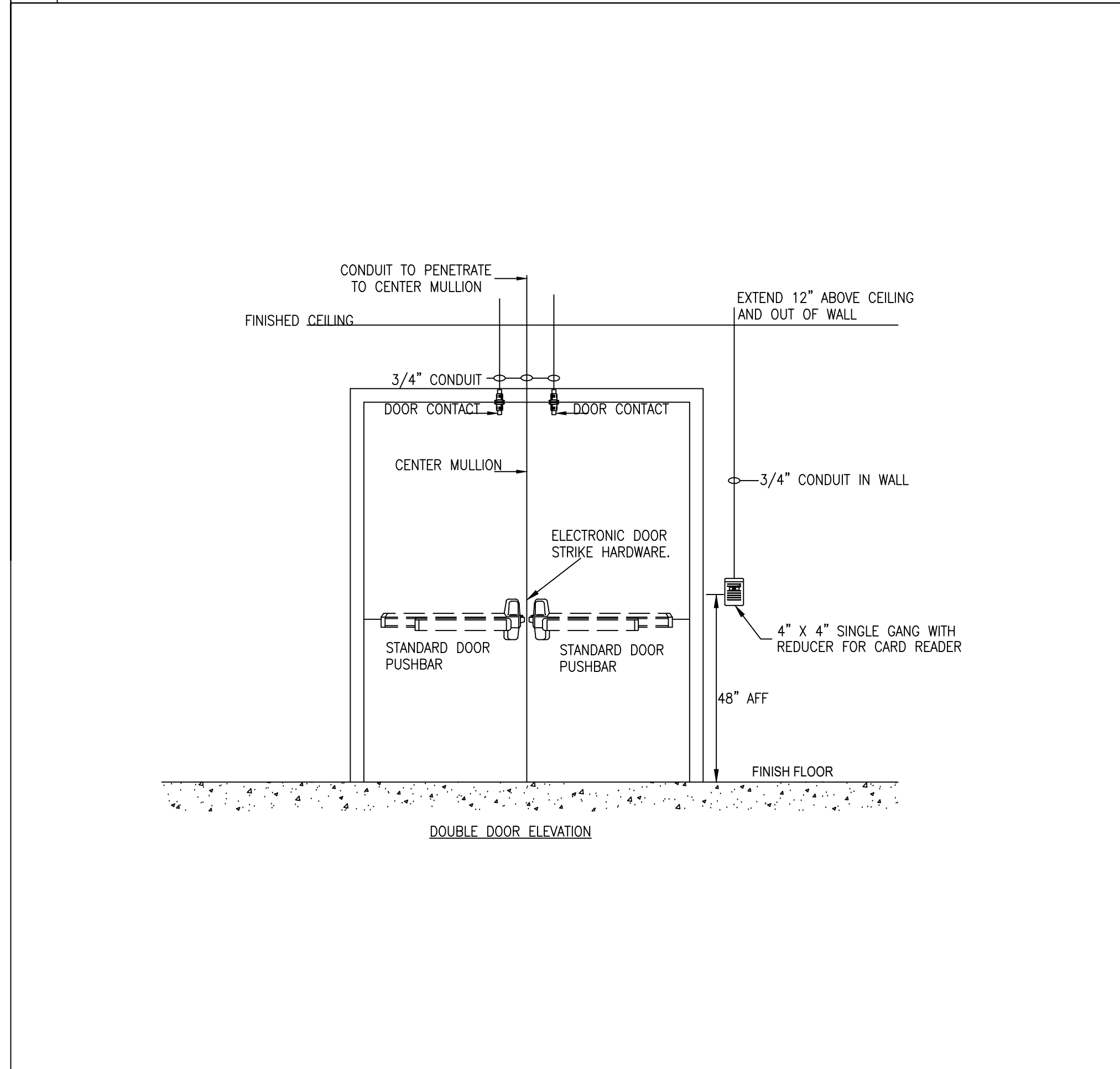
03 RACEWAY DETAIL - WALL MOUNTED DISPLAY NOT TO SCALE



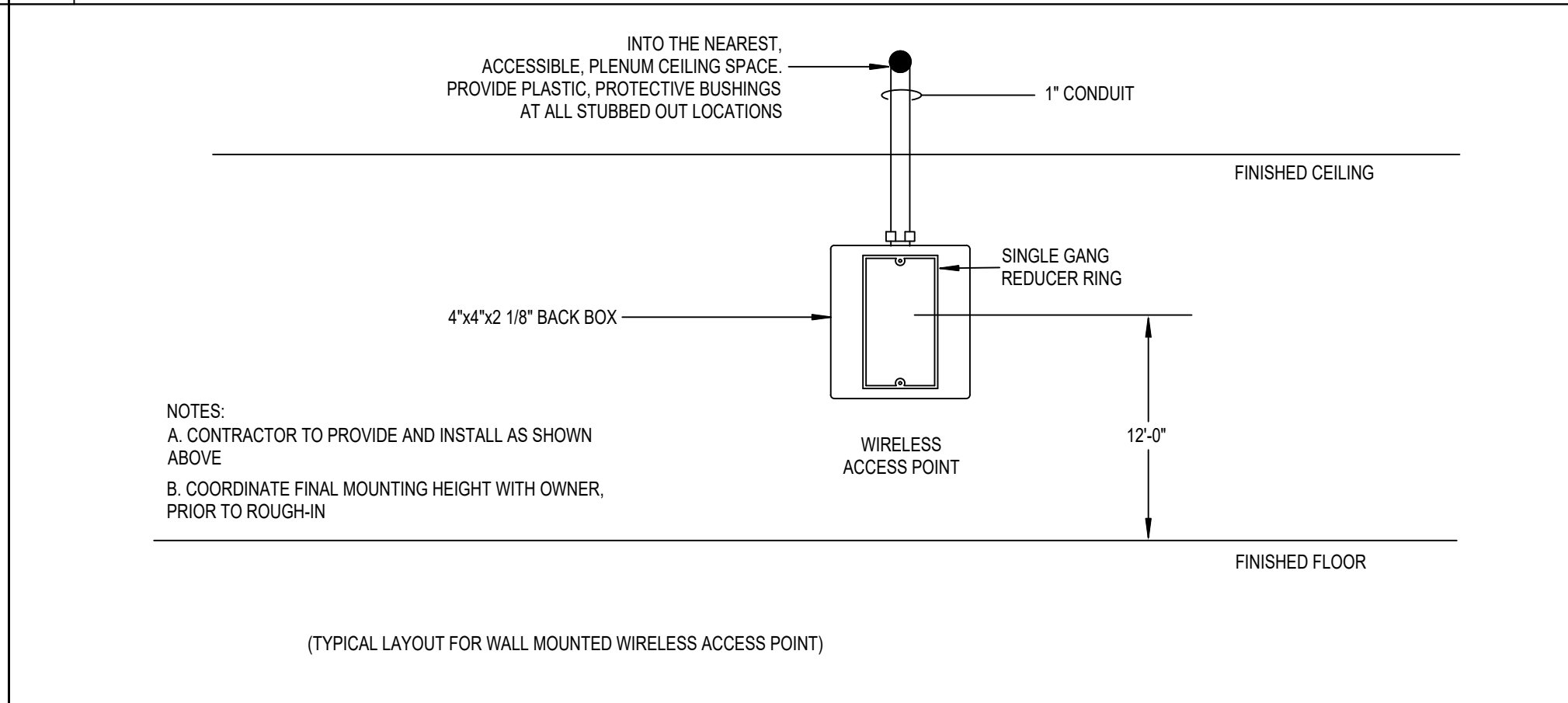
04 SECURITY CONDUIT DOOR JAMB HEADER NOT TO SCALE



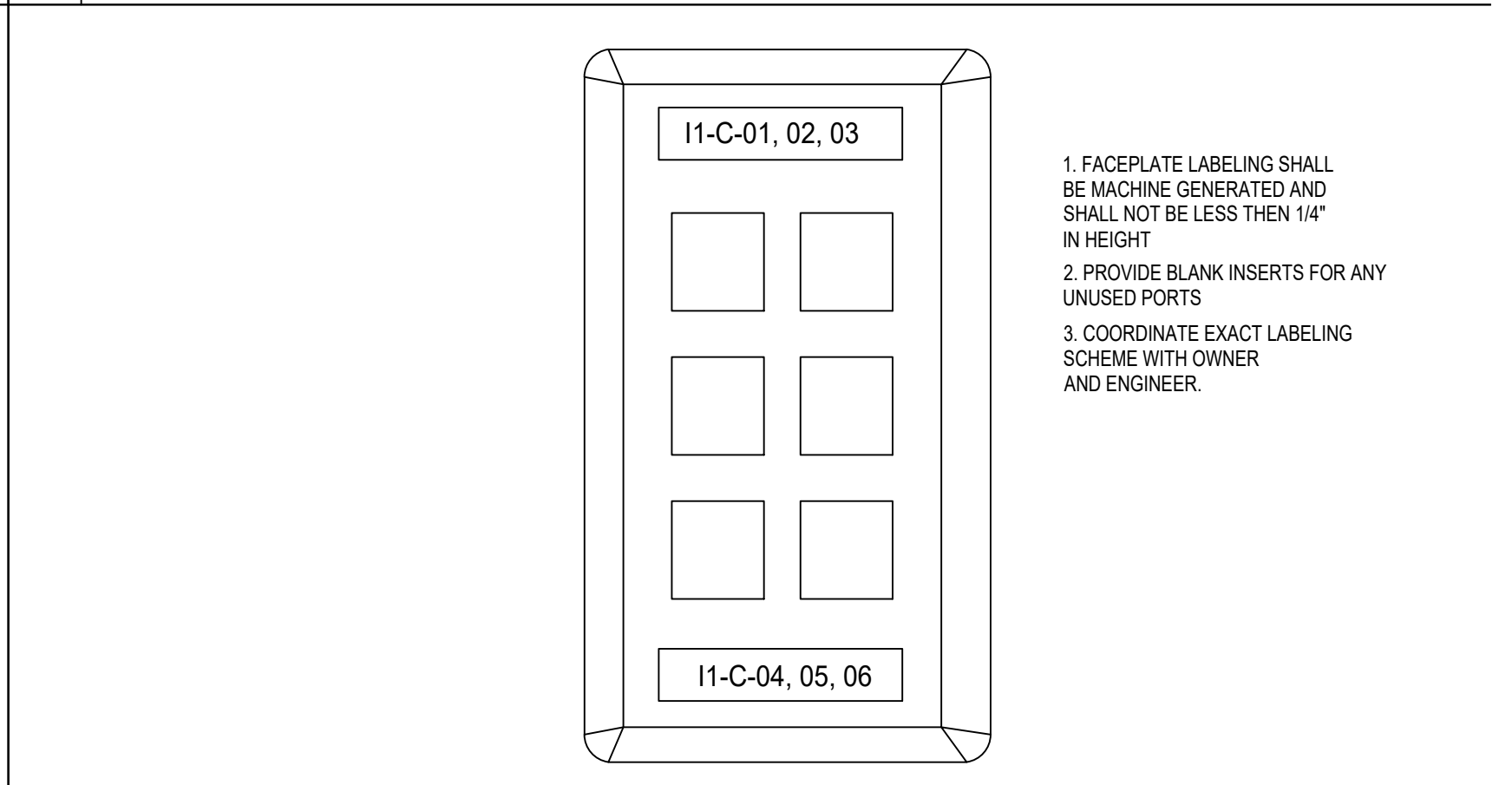
05 ABOVE CEILING STAND ALONE OUTLET NOT TO SCALE



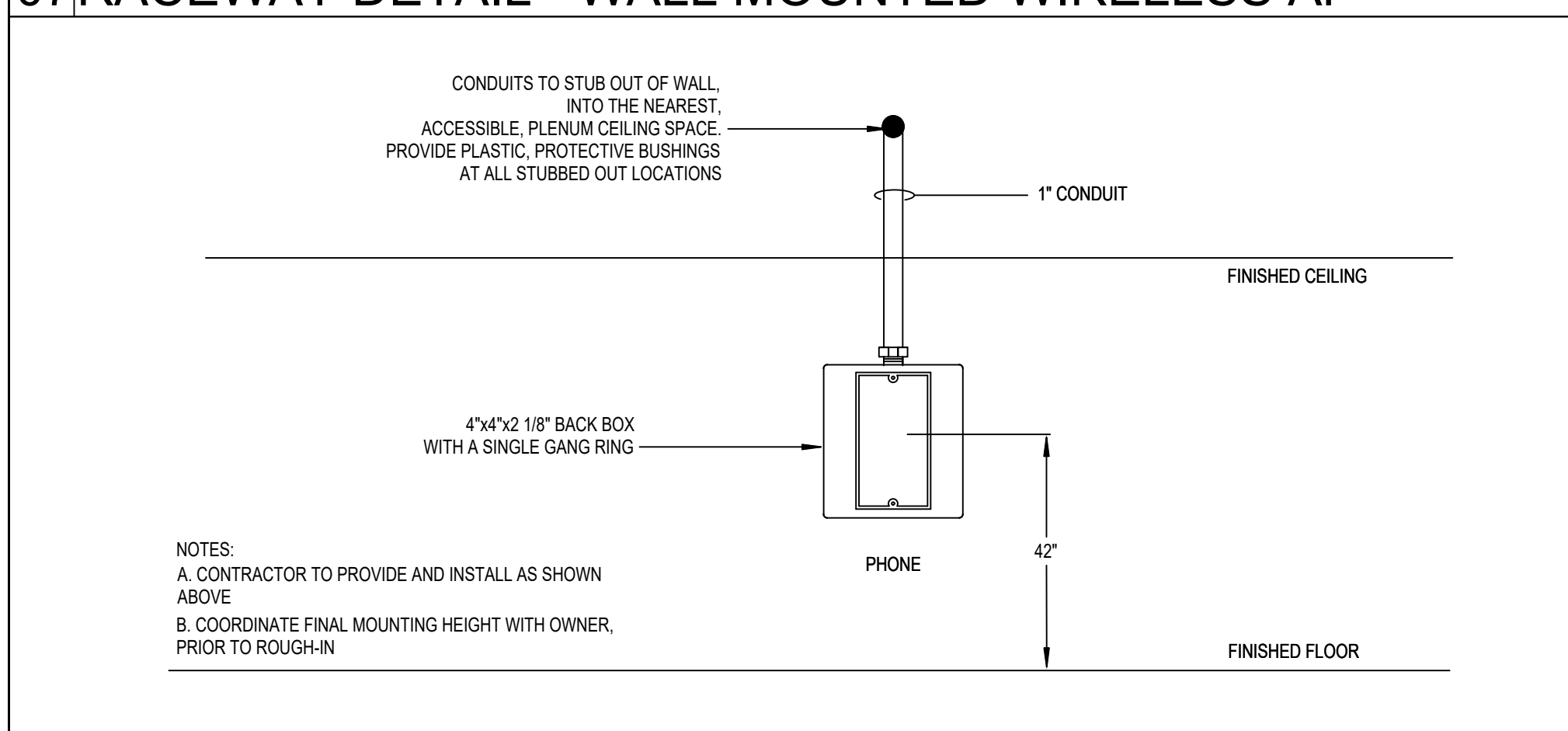
06 DOUBLE DOOR SECURITY & ACCESS CONTROL NOT TO SCALE



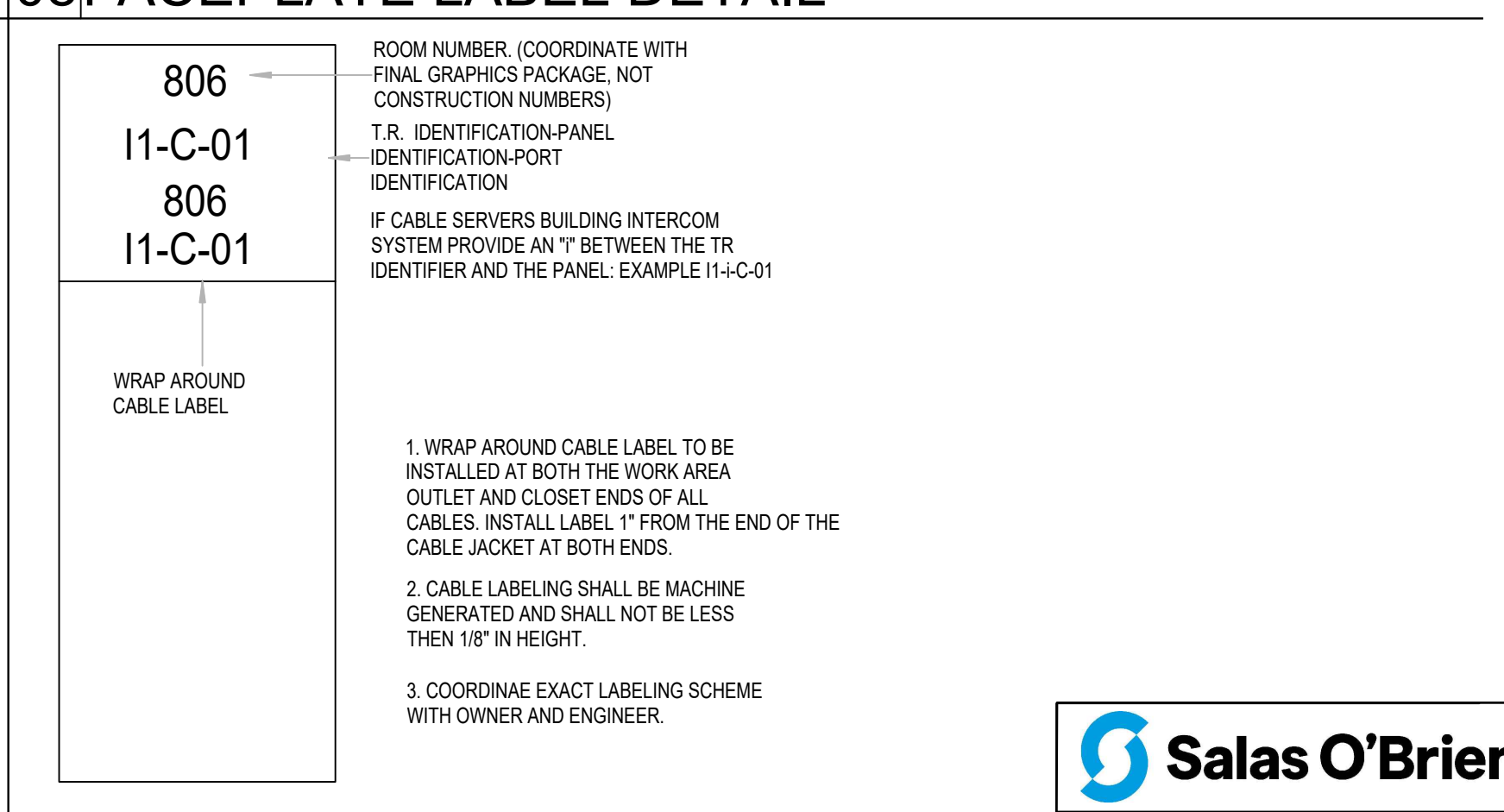
07 RACEWAY DETAIL - WALL MOUNTED WIRELESS AP NOT TO SCALE



08 FACEPLATE LABEL DETAIL NOT TO SCALE



09 RACEWAY DETAIL - WALL MOUNTED TELEPHONE NOT TO SCALE



10 CABLE LABEL DETAIL NOT TO SCALE

| | |
|------------|------------|
| NY | drawn by |
| NY | checked by |
| APRIL 2023 | date |
| | revisions |

MOORE PUBLIC SCHOOLS
BOARD OF EDUCATION
MOORE, OKLAHOMA



OFFICE
ADDITION -
SOUTHGATE
ELEMENTARY SCHOOL

sheet no:

T403

OWNERSHIP USE OF DOCUMENTS:

AGP EXPRESSLY RESERVES ITS
COPYRIGHT AND OTHER PROPERTY
RIGHTS OF ALL PLANS AND DRAWINGS
DESIGNED AND/OR PRODUCED. PLANS
AND DRAWINGS ARE NOT TO BE
REPRODUCED IN ANY FORM OR MANNER
WITHOUT THE EXPRESSED WRITTEN
CONSENT OF AGP.



2600 Van Buren St., Suite 2635
Norman, OK 73072
Salas O'Brien Registration: CA# 7058
Expiration Date: 6/30/2023
Salas O'Brien Project Number: 2023-01140-00

SYSTEMS SPECIFICATIONS

| STRUCTURED CABLING | |
|---|--|
| Horizontal Cabling | |
| Requirements | |
| <ul style="list-style-type: none"> Copper cable shall be Category 6 plenum rated cable (Blue in Color) for all work station drops. Copper cable shall be Category 6 plenum rated cable (White in Color) for all Security camera drops. Copper cable shall be Category 6 plenum rated cable (Yellow in Color) for all Wifi drops. Approved Category 6 cables are as follows. | |
| Superior Essex Cat6 Plenum Part #s | 77-240-2B blue 77-240-4B white 77-240-6B yellow 77-240-5B green |
| Mohawk Cat6 Plenum Part #s | M582818 Blue M582808 white M582838 yellow M582868 green |
| Berk-Tech Cat6 Plenum Part #s | 10136226 blue 10136230 white 10136749 yellow 10136746 green |
| General Cat6 Plenum Part #s | 7131800 blue 7131841 white 7131802 yellow 7131806 green |

- Connector shall be Leviton part # 61110-ROG eXtreme 6 connector for all workstation drops.
- Connector shall be Leviton part # 61110-RW6 eXtreme 6 connector for all Security camera drops.
- Connector shall be Leviton part # 61110-RY6 eXtreme 6 connector for all Wifi drops.
- Contractor shall provide Moore Public Schools, Technology Department, one 5' category 6 patch cord, (blue in color) for each category 6 work station cable installed. To be installed by contractor at the network cabinet.
- Contractor shall provide Moore Public Schools, Technology Department, one 10' category 6 patch cord, (blue in color) for each category 6 work station cable installed. Leave in box at network cabinet. To be installed by MPS Technology Dept.
- Contractor shall provide Moore Public Schools, Technology Department, one 5' category 6 patch cord, (White in color) for each category 6 Security Camera cable installed. To be installed by contractor at the network cabinet.
- Contractor shall provide Moore Public Schools, Technology Department, one 10' category 6 patch cord, (White in color) for each category 6 Security Camera cable installed. Leave in box at network cabinet. To be installed by MPS Technology Dept.
- Contractor shall provide Moore Public Schools, Technology Department, one 10' category 6 patch cord, (Yellow in color) for each category 6 Wifi cable installed. To be installed by contractor at the network cabinet.
- Contractor shall provide Moore Public Schools, Technology Department, one 10' category 6 patch cord, (Yellow in color) for each category 6 Wifi cable installed. Leave in box at network cabinet. To be installed by MPS Technology Dept.
- Each cable shall be terminated on the patch panel in data closets.
- All Category 6 connectors shall be placed into QuickPort faceplates at the workstation end.
- Faceplate shall be Leviton part # 41080-6wp
- No substitutions.

| Communications Backbone Cabling | |
|--|--|
| Requirements - Optical fiber | |
| <ul style="list-style-type: none"> Optical fiber cable shall be run from the MDF to each IDF. Fiber shall be terminated with LC connectors. Optical fiber cable shall be plenum rated Laser Optimized 50 micron Multi Mode distribution fiber. Optical fiber cable shall be an OM3 rated cable guaranteed to support 10 Gigabit Ethernet for 300 meters using 850 nm wavelength. Optical fiber cable shall have 24 strands using industry standard color coding. Optical fiber cable shall have a flame retardant and low smoke FEP jacket. Optical fiber cable shall support 10GBase-SX applications for the life of the system. Optical fiber cable shall be armor jacketed or protected inside plenum rated plastic inner duct orange or aqua in color. | |
| MIC Tight-buffered 024T88-33180-A3 | |
| <ul style="list-style-type: none"> No substitutions. | |

| Requirements - Copper backbone | |
|---|--|
| <ul style="list-style-type: none"> 6 Cat 6 cables shall be run from the MDF to each IDF. 3 Cat 6 cables shall be run from the phone Dmark to the MDF. Copper cable shall be Category 6 cable. Green in color Connector shall be Leviton part # 61110-RV6 eXtreme 6 connector. Each cable shall be terminated on the patch panel in data closets. Each cable end shall be terminated using the T568B pin/pair assignment. No substitutions. | |

| Cable Installation | |
|---|--|
| <ul style="list-style-type: none"> Properly support horizontal cables in ceiling every 4'-5" using J-Hooks or cable tray only. (no slings, pouches, or D rings.) Place horizontal cables in pathways and spaces dedicated for communications cables. No pathways shall be in or above the red iron. Data cable will be run in separate pathways from all other cables. Provide 30' of slack at station end in ceiling and not inside wall. Slack shall be rolled neatly in a 2' loop and hanging from a j-hook in ceiling above drop location. Cat 6 data cables are to be terminated using the T568B standard. Leviton face plates that support 6 snap in jacks will be used with Leviton snap in blanks in unused slots. Ensure terminations are at 180 degrees to the jack with no more than 1/4" un-twisting and no more than 1/2" un-jacking and are in accordance with manufacturer's recommendations. Ensure terminations have no un-twisting and that tower separators are utilized to separate pairs. | |

- Ensure pulling tensions of cables are not exceeded.
- Maintain proper cable bend radius of 4 times the cable's outer diameter during placement.
- No splices are permitted.
- No link shall exceed 90 meters. Contractor is responsible for verifying proper footages.
- Pull one additional "Mule Tape" or 1/2" Nylon rope when pulling cables through any conduit utilizing existing pull string.
- Mule Tape or Nylon rope is to be pulled into conduit separately and after all other cables have been installed.
- Install sleeves when puncturing walls.
- Cable shall not be installed between cinder block walls and roof decking.
- Cable shall not be installed between red iron and roof decking.
- Firestop all sleeves and conduit openings after cable installation.
- Terminate all pairs and conductors at all ends according to manufacturer's instructions following color code sequence.
- No splices are permitted in any fiber optic cable except when terminating connectors
- Terminate all Fiber pairs.
- All optical fiber cable shall be installed in the fiber panels in accordance with the manufacturer's instructions.
- Optical fiber Back bone cable length shall not exceed 300 meters.
- Copper backbone cable length shall not exceed 90 meters.
- All back bone cables (Fiber and Copper) shall have 20' of slack at both ends.
- Coming rack mount fiber patch panels are to be used where applicable.
- Outdoor rated fiber will be used for all outdoor fiber runs.
- Stress relief cable and the appropriate building fastener will be used on all aerial runs.
- All aerial cables will be fastened to the stress relief cables.
- 3' conduit is to be used for all buried runs, accessible at each end, with a pull string inside.
- A trace wire and warning tape will be buried with all buried runs
- All bends in conduit will be made with sweeps.
- Back bone cabling shall utilize a star topology with no more than 2 levels of backbone.
- Utilize Velcro ONLY in all closets.
- Install all components in a neat and workmanlike manner.
- Install all horizontal cables and termination frames in accordance with manufacturer's recommendations.

| Labeling | |
|--|--|
| <ul style="list-style-type: none"> Label shall be a rap type with number printed multiple times enabling print to be legible from any angle. Machine label all termination panels and face plates with cabinet and cable number. Termination panels shall be labeled in numerical order. A single drop will be labeled a total of four times. The labels will be located on the patch panel in the rack, on both ends of the cable, and on the face plate at the work station end. The labels are to read exactly the same in all four locations. All 5' patch cables will be labeled at both ends. 5' cables will be installed at the cabinet. Numbering scheme will be 00-000 where the first two digits are the cabinet number and the last three are the drop number. Example, drop number 75 in cabinet 2 will read, 02-075. Camera drop labels numerically start at 500 in each cabinet. If camera drops already exist in said cabinet the next available consecutive number will be used. Wifi drop labels numerically start at 800 in each cabinet. If Wifi drops already exist in said cabinet the next available consecutive number will be used. Example for cabinet 1: Data (blue cable orange jacks) 01-001 to 01-499 Camera (white cable white jacks) 01-500 to 01-799 Wifi (yellow cable yellow jacks) 01-800 to 01-999 Label all fiber optic cables at both ends on the cable and in the break out box | |
| Test | |
| <ul style="list-style-type: none"> Test results for all Category 6 copper and fiber optic cables shall be provided to Moore Public Schools, Technology department. | |
| End of Section | |

| Communications Equipment Room Fittings | |
|--|--|
| Equipment rack | |
| <ul style="list-style-type: none"> Free standing equipment rack shall be Chatsworth #55053-703. Free standing racks shall be sized to accept 19" spaced equipment and handle a total weight load of 1, 000 pounds. Free standing racks shall have 3" side rails tapped on both sides with universal hole patterns for threaded 12-24 screws. No substitutions. | |
| Copper Patch panels | |
| <ul style="list-style-type: none"> Patch panel shall be a Leviton #49255-H24 Quick Port 110 panel with cable management bar. Patch panel shall have 24 ports taking up 1 rack mount unit. No substitutions. | |
| Horizontal cable management | |
| <ul style="list-style-type: none"> Horizontal cable manager shall be a 2 RU Chatsworth part #30130-719. No substitutions. | |
| Vertical cable management | |
| <ul style="list-style-type: none"> Vertical cable manager shall be Chatsworth part #30095-703. No substitutions. | |
| Optical fiber patch panel / enclosure | |
| <ul style="list-style-type: none"> Optical fiber enclosure shall be Corning LC loaded rack mount panel. | |
| CCH-04U CCH-01U CCH-CP24-E4 SOC-LC-900-OM4 | |

| |
|---|
| <ul style="list-style-type: none"> No substitutions. |
| Ladder racking |
| <ul style="list-style-type: none"> Ladder racking shall be Chatsworth #10250-718. The appropriate Chatsworth mounting hardware shall be used. No substitutions. |
| Power protection power strips |
| <ul style="list-style-type: none"> PDU's are to be placed in all data racks. PDU shall have overload protection and easy to reset circuit breaker. PDU shall be rack mountable. PDU shall be constructed from 18 AWG steel. PDU shall have light emitting diodes to indicate "Power On" and "Ground/Polarity OK" feature. PDU shall be rated for 20 Amps and have a 12' L5-20P plug and ten 5-20R receptacles. No substitutions. |
| Installation |

| Free standing racks | |
|--|--|
| <ul style="list-style-type: none"> Assemble free standing racks according to manufacturer's instructions. Verify that equipment mounting rails are sized properly for rack-mount equipment before attaching the rack to the floor. All racks must be attached to the floor in four places using appropriate floor mounting anchors. When placed over a raised floor, threaded rods should pass through the raised floor tile and be secured in the structural floor below. All rack must be secured to the adjacent wall using ladder rack to stabilize the top of the rack and provide a cable pathway from the ceiling to the rack. Racks shall be grounded to the telecommunications bus bar using #6 AWG green insulated solid copper wire and any necessary attachment hardware provided by the Communications Contractor. Mount rack mount power strips on rack where active equipment will be placed. | |
| Ladder rack | |
| <ul style="list-style-type: none"> Ladder rack shall be attached to the top of the rack to deliver cables to the rack. The rack should not be drilled to attach ladder rack. Use appropriate hardware from the ladder rack manufacturer. Ladder racking shall be supported every 5' with 3/8" threaded rod anchored and secured to permanent ceiling structure. Loading of cable rack shall not exceed 6" depth and should have retainers every 12' to prevent cables from spilling over the sides. Where ladder racking butts up against wall the appropriately sized wall mount bracket shall be utilized. Ladder rack shall extend vertically up wall and through drop ceiling to gain access to cavity above drop ceiling. Ladder racking shall utilize all appropriate radius drop stringers, corner bends and other devices to maintain cable bend radius when entering and exiting racks, cabinets and drop ceilings Mating pieces of ladder racking together shall utilize appropriate butt splice and junction splice kits. All cut and exposed sharp ends shall utilize a plastic end cap to prevent injury. | |
| Cable management | |
| <ul style="list-style-type: none"> Vertical cable manager shall be installed on every rack vertical rail. Where two rack rails will be butted together there shall be two vertical wire managers between the racks. Horizontal wire managers shall be utilized above and below every copper and fiber patch panel. All cables shall sweep in and out of any cable management product without a deformation of cable jacket. Ensure cables are properly supported when using cable management to ensure cables do not sag. Utilize Velcro ONLY for securing of cables on cable management. | |
| Copper and Fiber patching panels | |
| <ul style="list-style-type: none"> Route all cables to backside of termination panels in an asymmetrical orientation to ensure cable bundles are split evenly. Utilize rear wire management bars for supporting cables into point of termination. Secure all cables on all panels using Velcro ONLY to prevent cables from pulling away. | |
| End of Section | |

| Quality Assurance | |
|--|--|
| <ul style="list-style-type: none"> Install all components as directed by Manufacturer's installation guidelines. All products shall bear the mark of UL or ETL for performance level. System installation shall meet all applicable Local/State codes and safety requirements where project is located. All products shall be new and un-used in original packaging. Follow and adhere to installation practices specified by the applicable Telecommunications Industry Association standards. Follow and adhere to installation practices specified by BICSI Information Transport System Installation. Follow and adhere to installation practices specified by BICSI Telecommunications Distribution Methods. Follow and adhere to installation practices specified by NFPA-70 National Electric Code. Follow and adhere to installation practices specified by the Manufacturers. Contractor shall make available all ceiling and termination work for inspection by Manufacturer's representative or owner's representative. Contractor shall replace all defective components. | |
| Bidder/Installer Qualifications | |
| <ul style="list-style-type: none"> Bidding Contractor shall be a licensed to install telecommunications systems in the state where work will be performed. Bidding Contractor shall be Leviton certified for at least one year Bidding Contractor shall have a minimum of 5 years experience installing structured cabling for telecommunications. Bidding Contractor shall have the capability to bond project in its entirety. Bidding Contractor shall be able to provide insurance at the request of the owner. Installer shall have an onsite supervisor and one technician who are certified by the Manufacturer to install the Manufacturer's telecommunications products. Communications Contractor shall have an RCDD on staff for at least one year, to certify that the Communications System can support the required applications on the various cabling media. | |

| |
|--|
| <ul style="list-style-type: none"> Installer shall have obtained Leviton certification from the Manufacturer within 1 year prior to performing the Work. |
| Delivery, Storage, and Protection |
| <ul style="list-style-type: none"> Communications Contractor shall ensure that materials delivery to work area shall be coordinated with construction site manager responsible for materials distribution to all trades. Communications Contractor is responsible for all materials, tools and vehicles left on the job site. Communications Contractor shall coordinate a disposal bin for the removal of all trash produced by the Communications Contractor personnel during the project. Communications Contractor shall ensure materials are stored in an environmental area where: <ul style="list-style-type: none"> Temperature does not exceed 120 degrees Fahrenheit nor below 32 degrees Fahrenheit. Humidity does not exceed 80 %. No direct exposure to sunlight. Follow Manufacturer's recommendations for handling of materials. |
| Warranty |
| <ul style="list-style-type: none"> Communications Contractor shall provide a 1 year parts and labor warranty against defective workmanship and/or system component failure. Communications Contractor shall execute a Lifetime Applications Assurance Warranty for parts and labor to support stated applications from the connectivity Manufacturer. |
| End of Section |

| Intercom System Specifications | |
|---|--|
| Part 1 - General | |
| 1.01 System Manufacture | |
| <ul style="list-style-type: none"> Intercom System Manufacturer shall be Telecor or Rauland Telecenter U IP (Match existing system.) Cable Manufacturer shall be Belden or Equivalent | |
| <p>Locations where Telecor equipment is required. It may be purchased from the following authorized Telecor dealers</p> <p>Advanced Cabling, Inc - 405-418-4322 High-Tech Tronics, Inc - 405-495-0215</p> <p>Locations where TelecenterU Equipment is required. It may be purchased from the following authorized TelecenterU dealer: Endex of Oklahoma Inc - 405-602-0001</p> | |
| 1.02a Intercom Systems Equipment Description - Telecor Intercom Equipment | |
| <ul style="list-style-type: none"> Intercom call in button shall be momentary close and compatible with existing intercom system Intercom ceiling speakers shall be Manufacture Clarity Model # S-522. (Or equivalent approved by MPS must have volume control accessible from the floor) Intercom outside paging horn shall be Manufacture Rauland Borg 3601. (Or equivalent approved by MPS) Locations where Telecor equipment is required. It may be purchased from the following authorized Telecor dealers Advanced Cabling, Inc - 405-418-4322 High-Tech Tronics, Inc - 405-495-0215 | |
| 1.02b Intercom Systems Equipment Description - Rauland Telecenter U IP Intercom Equipment | |
| <ul style="list-style-type: none"> Classroom Intercom Equipment <ul style="list-style-type: none"> Call button shall be Part # 603302 Dual Level call switch. Ceiling speakers shall be Part # BAFKIT2XL8RJ - 8 Ohm ceiling tile replacement speaker with RJ45 connector. IP Classroom Module shall be TCC2011 IP Module ("Module required for each classroom, "Requires POE network drop) Hallway/Commons/Outside Intercom Equipment <ul style="list-style-type: none"> TCC2022-IP Zone page module ("Requires POE network drop) Appropriate size amp for quantity of speakers. BAFKIT2XZL- 25 volt ceiling tile replacement paging speaker (For all classroom & hallway locations) Rauland Borg 3601 - Loud paging horn (For all outside & large area locations such as gymnasiums, etc.) <p>Locations where TelecenterU equipment is required. It may be purchased from the following authorized TelecenterU dealer Endex of Oklahoma Inc - 405-602-0001</p> | |
| 1.03 Systems Installation | |
| <ul style="list-style-type: none"> All non-IP cabling shall be shielded and have a minimum of 5 conductors. All network IP cabling shall be Cat6 (see structured cabling System Specifications for cabling information) All wire shall be shielded and have a minimum of 5 conductors. All circuits and wiring shall be labeled at all terminating ends. All devices shall be mounted according to the manufactures specifications. All devices shall be properly adjusted and tested prior to job completion. All room circuits shall run from the intercom system to the call button then to the room speaker. All extra speaker wire taps shall be insulated. All rooms shall be individually wired and terminated at the intercom system on individual points. (No Doubling) All rooms shall be tested to verify proper room number programming and operation. All call buttons shall be labeled with their corresponding system point number. Protective grommets shall be installed on all conduits to protect wire. All wire shall be run in J hooks above ceiling with a minimum space of 4" from ceiling deck. All wire shall be in separate pathways 6" from other system wiring. No wire ties allowed. No wire shall be run between the red iron and roof deck. All wire ran between building shall be in conduit and shall be direct burial cable. It shall be a minimum of 5 conductor 18 AWG copper. Installer shall supply the electrical and/or masonry contractors with specialty back boxes and coordinate with them to ensure that all necessary conduits, back boxes, etc. are installed in the proper locations. Follow and adhere to installation practices specified by NFPA-70 National Electric Code, Edition 2008. Follow and adhere to installation practices specified by the Manufacturers. | |
| 1.04 Quality Assurance | |
| <ul style="list-style-type: none"> Follow and adhere to installation practices specified by the Manufacturers. Install all components as directed by Manufacturer's installation guidelines. All products shall bear the mark of UL or ETL for performance level. System installation shall meet all applicable Local/State codes and safety requirements where project is located. All products shall be new and un-used in original packaging. 1.03.02 Bidder/Installer Qualifications Bidding contractor shall have a minimum of 5 years experience installing school intercom systems. Bidding contractor shall be able to provide insurance at the request of the owner. | |

| Intercom System Installation Completion Check List | |
|--|--|
| Part 1 - General | |
| 1.01 Section Includes | |
| <ul style="list-style-type: none"> Intercom System Completion Check List | |
| 1.02 Completion Check List | |
| <ul style="list-style-type: none"> Main control panel has a map of the entire system inside and a copy has been given to Jack Phillips with MPS. All intercom programming such as bell times, tornado drill alert, etc has been checked and is correct. Intercom has been tested for proper operation. All rooms have been tested to verify proper description at console. All speakers have been tested to verify proper operation and volume. All extra speaker wires have been tapped or insulated All call buttons are labeled and have been tested for proper operation. | |
| End of Section | |

| Clock System Specifications | |
|--|--|
| Part 1 - General | |
| 1.01 System Manufacture | |
| <ul style="list-style-type: none"> Clock Equipment shall match existing system. (Must be compatible with schools existing system.) Locations where Telecor equipment is required. It may be purchased from the following authorized Telecor dealers Advanced Cabling, Inc - 405-418-4322 High-Tech Tronics, Inc - 405-495-0215 | |
| 1.02 Intercom Clock Systems Equipment Description | |
| <ul style="list-style-type: none"> Intercom Digital Clocks shall be hard wired and may not use battery power for its primary power source. Clocks shall be 4 inch and be compatible with existing system. Clocks must be compatible with existing clock system. | |

| | |
|---|--|
| 1.06 Scheduling | |
| <ul style="list-style-type: none"> Contractor shall provide a detailed construction schedule with hard dates for completion of roughing in cables, terminations and testing once scheduling sequence has been determined to the Owner's Project Manager. | |
| 1.07 Warranty | |
| <ul style="list-style-type: none"> Contractor shall provide a 1 year parts and labor warranty against defective workmanship and/or system component failure. | |
| Part 3 - Execution | |
| 3.01 Field Quality Control | |
| <ul style="list-style-type: none"> Contractor shall make available all ceiling and termination work for inspection by Manufacturer's representative or owner's representative. Contractor shall replace all defective components. | |
| 3.02 Adjusting | |
| <ul style="list-style-type: none"> No additional work outside of the contract scope of work shall be completed without the approval of the Owner or Owner's representative. | |
| 3.03 Protection | |
| <ul style="list-style-type: none"> It is the responsibility of the Contractor to ensure equipment is protected from dust and water during the project with appropriate materials. Remove all protective covers and protective materials from equipment prior to turnover to Owner. | |
| 3.04 Schedules | |
| <ul style="list-style-type: none"> Coordinate work with Owner's project manager and follow scheduling sequence as established by Owner's project manager. It is recommended that the Contractor schedule closely with any other systems contractor to ensure turnover date is met. Contractor bidding will supply the electrical and/or masonry contractors with any specialty back boxes such as clock recessed back boxes etc. and coordinate with them to ensure that all necessary conduits, back boxes, etc. are installed in the proper locations. | |
| End of Section | |

| | |
|--|--|
| 1.04 Submittals | |
| 1.04.01 Prior to installation | |
| <ul style="list-style-type: none"> Show complete map of system design for approval by Owner. | |
| 3.02 System Requirements | |
| <ul style="list-style-type: none"> Intercom system shall be capable of communicating to all rooms and shall have adequate number of room points as to not double up on any given point. | |
| End of Section | |

| Intercom System Installation Completion Check List | |
|--|--|
| Part 1 - General | |
| 1.01 Section Includes | |
| <ul style="list-style-type: none"> Intercom System Completion Check List | |
| 1.02 Completion Check List | |
| <ul style="list-style-type: none"> Main control panel has a map of the entire system inside and a copy has been given to Jack Phillips with MPS. All intercom programming such as bell times, tornado drill alert, etc has been checked and is correct. Intercom has been tested for proper operation. All rooms have been tested to verify proper description at console. All speakers have been tested to verify proper operation and volume. All extra speaker wires have been tapped or insulated All call buttons are labeled and have been tested for proper operation. | |
| End of Section | |

| Clock System Specifications | |
|--|--|
| Part 1 - General | |
| 1.01 System Manufacture | |
| <ul style="list-style-type: none"> Clock Equipment shall match existing system. (Must be compatible with schools existing system.) Locations where Telecor equipment is required. It may be purchased from the following authorized Telecor dealers Advanced Cabling, Inc - 405-418-4322 High-Tech Tronics, Inc - 405-495-0215 | |
| 1.02 Intercom Clock Systems Equipment Description | |
| <ul style="list-style-type: none"> Intercom Digital Clocks shall be hard wired and may not use battery power for its primary power source. Clocks shall be 4 inch and be compatible with existing system. Clocks must be compatible with existing clock system. | |

the Abla Griffin
Partnership L.L.C.

201 N. BROADWAY
SUITE 210
MOORE, OK. 73160
405.735.3477
AGP@theAGP.net
www.theAGP.net

KFC ENGINEERING
STRUCTURAL

SALAS O'BRIEN
MECHANICAL / ELECTRICAL

MOORE PUBLIC SCHOOLS
BOARD OF EDUCATION
MOORE, OKLAHOMA



OFFICE
ADDITION -
SOUTHGATE
ELEMENTARY SCHOOL

sheet no:

T501

OWNERSHIP USE OF DOCUMENTS:
AGP EXPRESSLY RESERVES ITS
COPYRIGHT AND OTHER PROPERTY
RIGHTS OF ALL PLANS AND DRAWINGS
DESIGNED AND/OR PRODUCED. PLANS
AND DRAWINGS ARE NOT TO BE
REPRODUCED IN ANY FORM OR MANNER
WITHOUT THE EXPRESSED WRITTEN
CONSENT OF AGP.

Salas O'Brien

2600 Van Buren St., Suite 2635
Norman, OK 73072
Salas O'Brien Registration: CA# 7058
Expiration Date: 6/30/2023
Salas O'Brien Project Number: 2023-01140-00

SYSTEMS SPECIFICATIONS

Intercom 12" Analog Clock shall be hard wired and may not use battery power for its primary power source. Clock must be compatible with existing clock system.

If site does not have an existing working clock system, stand-alone battery powered clocks shall be used. Stand-alone wall clock shall be American Time E58BAQD304BP

Stand-alone dual face hallway clock shall be American Time E53BAQD204BP

An 110v electric clock receptacle shall be installed at each clock location for future devices.

1.03 Systems Installation

- All devices shall be mounted according to the manufactures specifications.
- All devices shall be properly adjusted and tested prior to job completion.
- All extra wire taps shall be insulated.
- Protective grommets shall be installed on all conduits to protect wire.
- All wire shall be run in J hooks above ceiling with a minimum space of 4" from ceiling deck. All wire shall be in separate pathways 6" from other system wiring. No wire ties allowed.
- All wire ran between building shall be in conduit and shall be direct burial cable. It shall be a minimum of 5 conductor 18 AWG copper.
- Installer shall supply the electrical and or masonry contractors with specialty back boxes such as clock recessed back boxes etc. and coordinate with them to ensure that all necessary conduits, back boxes, etc. are installed in the proper locations.
- Follow and adhere to installation practices specified by NFPA-70 National Electric Code, Edition 2008.
- Follow and adhere to installation practices specified by the Manufacturers.

1.04 Quality Assurance

1.04.01 Qualifications

- Install all components as directed by Manufacturer's installation guidelines.
- All products shall bear the mark of UL or ETL for performance level.
- System installation shall meet all applicable Local/State codes and safety requirements where project is located.
- All products shall be new and un-used in original packaging.

1.04.02 Bidder/Installer Qualifications

- Bidding contractor shall have a minimum of 5 years experience installing school intercom systems.
- Bidding contractor shall be able to provide insurance at the request of the owner.

1.05 Delivery, Storage, and Protection

- Contractor shall ensure that materials delivery to work area shall be coordinated with construction site manager responsible for materials distribution to all trades.
- Contractor is responsible for all materials, tools and vehicles left on the job site.
- Follow Manufacturer's recommendations for handling of materials.

1.06 Scheduling

- Contractor shall provide a detailed construction schedule with hard dates for completion of roughing in cables, terminations and testing once scheduling sequence has been determined to the Owner's Project Manager.

1.07 Warranty

- Contractor shall provide a 1 year parts and labor warranty against defective workmanship and/or system component failure.

Part 3 - Execution

3.01 Field Quality Control

- Contractor shall make available all ceiling and termination work for inspection by Manufacturer's representative or owner's representative.
- Contractor shall replace all defective components.

3.02 Adjusting

- No additional work outside of the contract scope of work shall be completed without the approval of the Owner or Owner's representative.

3.03 Protection

- It is the responsibility of the Contractor to ensure equipment is protected from dust and water during the project with appropriate materials.
- Remove all protective covers and protective materials from equipment prior to turnover to Owner.

3.04 Schedules

- Coordinate work with Owner's project manager and follow scheduling sequence as established by Owner's project manager.
- It is recommended that the Contractor schedule closely with any other systems contractor to ensure turnover date is met.
- Contractor bidding will supply the electrical and or masonry contractors with any specialty back boxes such as clock recessed back boxes etc. and coordinate with them to ensure that all necessary conduits, back boxes, etc. are installed in the proper locations.

End of Section

Security System Specifications

Part 1 - General

2.01 Manufacturers

- Security System Manufacturer shall be DSC or DMP. See plans for the specific manufacturer required (no substitutions)
- Installer shall be certified by manufacturer to install and program the specified systems. (no substitutions)
- Peripheral device Manufacturers shall be according to equipment list. (No Substitutions)
- Cable Manufacturer shall be Genesis. (Or Equivalent)

Security Systems Equipment

- security alarm control shall be dsc model # pc4020 or dmp model # xr550nl-g. (no substitutions)
- security alarm control communicator shall be dsc model # t-link1250. dpm n/a. (no substitutions)
- security alarm keypad shall be dsc model # lcd4501 or dmp model # 7873. (no substitutions)
- security alarm keypad for all kitchen locations shall be dsc model # lcd4501 or dmp model # 7073. (no substitutions)
- security alarm 8 zone hardwire expander shall be dsc model # pc4108 or dmp model # 714-8. (no substitutions)
- security alarm 16 zone hardwire expander shall be dsc model # pc4116 or dmp model # 714-16. (no substitutions)
- security alarm power supply shall be dsc model # pc4204 or dmp systems = altronix model # smp3pmctx. (no substitutions)
- security alarm power supply cabinet shall be dsc model # pc4051c. dmp n/a. (no substitutions)
- security alarm cabinet locks shall be dsc model # 11 or dmp model # 301. (no substitutions)
- security alarm 35X35 motion detector shall be honeywell model # dt-8035. (no substitutions)
- security alarm 50X60 motion detector shall be honeywell model # dt-8050. (no substitutions)
- security alarm window glass break sensor shall be honeywell model # fg-730. (no substitutions)
- security alarm door contact shall be ge model # 1076d-m. double pole double throw for all doors (no substitutions)
- each single door or double door shall be wired with 4 conductor wire.
- dmp systems shall be wired with 2 zones per single door or double door. one zone for security alarm and one zone for "door held open alert"
- security alarm c channel door magnets shall be gri model # mc180
- security alarm surface window contact shall be alph model # ps-1541. (or equivalent approved by mps)
- security alarm overhead door & roof hatch contact shall be amseco model # odc-59a or for rail mount applications interlogix ga2315al. (no substitutions)
- security alarm indoor siren shall be ademo model # wave2ex. (no substitutions)
- security alarm outdoor siren shall be atw model # ds301set. (no substitutions)
- security alarm outdoor strobe shall be amseco model # sl401c. (no substitutions)

1.01 Systems Installation

- installer shall be certified by manufacturer to install & program the specified systems.
- installer shall perform all programming required to complete the installation. moore public schools shall not be required to assist in any part of the installation or programming.
- All alarm junctions and or splices shall be soldered and insulated.
- All circuits and wiring shall be labeled at all terminating ends.
- All devices shall be mounted according to the manufactures specifications.
- All devices shall be properly adjusted and tested prior to job completion.
- All zone expansion module shall be DMP 714-16 and Relay Output Module shall be DMP 860.
- All cabinets shall be labeled outside with their corresponding module and zone numbers and installed with lock.
- All cabinets shall be labeled inside with module number by the corresponding module and zone list definitions.
- Main control panel shall have a CAT 6 cable ran between the main control and the phone company DMARC for monitoring purposes.
- Each expansion cabinets shall have two non-shielded 16 gauge 4 conductor cables ran from the main control to the expansion cabinet.
- All devices such as motion detectors, glass break detectors, door contacts, Keypads etc. shall be labeled with their corresponding module and zone number. Label shall be visible from the floor.
- All motion detectors shall be sealed to prevent air and insects from entering.
- All steel doors shall have wide gap contacts installed.
- All door contacts shall be recessed and door magnets shall be glued in place.
- All devices such as door contact (double doors wire as one), motion detectors, glass break detectors, etc. shall be wired individually on separate zones with end of line resistors at the devices.
- All air conditioning condensers accessible from the outside and roof shall have pressure switches installed on the high pressure side and be connected to the security alarm.
- Protective grommets shall be installed on all conduits to protect wire.
- All devices shall be wired with NON shielded cable.
- All panels, power supplies and modules shall be grounded.
- All wire shall be run in J hooks above ceiling with a minimum space of 4" from ceiling deck. All wire shall be in separate pathways 6" from other system wiring. No wire ties allowed. No wire shall be run between the red iron and roof deck.
- All wire visible from the finished floor shall be covered in decorative wire molding.
- All wire ran between building shall be in conduit and shall be non shielded direct burial cable. It shall be a minimum of 4 conductor 16 AWG copper.
- Installer shall have a commercial burglar technician on the job site at all times during installation.
- Installer will work closely with the electrical and or masonry contractors to ensure conduit, back boxes, door frame access conduit, etc. are in the proper locations and accessible.
- Follow and adhere to installation practices specified by NFPA-70 National Electric Code, Edition 2008.
- Follow and adhere to installation practices specified by the Manufacturers.

1.02 Products Installed but not Supplied Under This Section

- All conduit and EMT required for Fire cabling pathway in/out of closets and in/out of wall cavities at the work area. EMT or Conduit for pathways shall have no more than two 90 degree sweeps and no continuous section over 100'.
- All core holes and poke through devices in the floor for the installation of Fire cabling.
- All core holes and EMT sleeves between floors for the routing of Fire cabling.
- Back boxes for the mounting of Fire Devices.
- Drag line or pull string at the back boxes fished through EMT or conduit to the other end for installing Fire Cabling.

1.03 Quality Assurance

1.03.01 Qualifications

- Install all components as directed by Manufacturer's installation guidelines.
- All products shall bear the mark of UL or ETL for performance level.
- System installation shall meet all applicable Local/State codes and safety requirements where project is located.
- All products shall be new and un-used in original packaging.

1.03.02 Bidder/Installer Qualifications

- Bidding contractor shall be a local licensed Commercial Burglar Alarm Company with licensed Commercial Burglar Alarm technician(s) on staff.
- bidding contractor shall be certified by manufacturer to install & program the specified systems.
- bidding contractor shall perform all programming required to complete the installation. moore public schools shall not be required to assist in any part of the installation or programming.
- bidding contractor shall have at least one year experience installing dsc/dmp equipment.
- bidding contractor shall have a minimum of 5 years experience installing commercial burglar alarms.
- bidding contractor shall be able to provide insurance at the request of the owner.
- bidding contractor shall have a commercial burglar technician on the job site at all times during installation

1.04 Delivery, Storage, and Protection

- Contractor shall ensure that materials delivery to work area shall be coordinated with construction site manager responsible for materials distribution to all trades.
- Contractor is responsible for all materials, tools and vehicles left on the job site.
- Follow Manufacturer's recommendations for handling of materials.

1.05 Project Conditions

1.05.01 Environmental Requirements

- Contractor shall ensure that any pollutants produced during the Work are disposed off according to local, state or national regulations. Follow the most stringent guidelines.
- It is preferred that the Contractor recycle any used or un-used components during the course of the construction project.

1.06 Sequencing

- Contractor shall coordinate with Owner's project manager on sequencing of various trades and construction teams for the lifecycle of the project.

1.07 Scheduling

- Contractor shall provide a detailed construction schedule with hard dates for completion of roughing in cables, terminations and testing once scheduling sequence has been determined to the Owner's Project Manager.

1.08 Warranty

- Contractor shall provide a 1 year parts and labor warranty against defective workmanship and/or system component failure. (1 year warranty shall begin at job completion)

Part 2 - Products

2.02 Source Quality Control

- Materials shall be purchased from Distributors authorized by system Manufacturers to sell new and unused components.

Part 3 -

3.01 Field Quality Control

- Contractor shall make available all ceiling and termination work for inspection by Manufacturer's representative or owner's representative.
- Contractor shall replace all defective components.

3.02 Adjusting

- No additional work outside of the contract scope of work shall be completed without the approval of the Owner or Owner's representative.

3.03 Cleaning

- Contractor shall sweep and mop the floors of all equipment rooms or connection point closets prior to turnover to the Owner.

3.04 Protection

- It is the responsibility of the Contractor to ensure equipment is protected from dust and water during the project with appropriate materials.
- Remove all protective covers and protective materials from equipment prior to turnover to Owner.

3.05 Schedules

- Coordinate work with Owner's project manager and follow scheduling sequence as established by Owner's project manager.
- It is recommended that the Contractor schedule closely with any other systems contractor to ensure turnover date is met.
- Contractor bidding will work closely with the electrical and or masonry contractors to ensure conduit, back boxes, door frame access conduit, etc. are in the proper locations and accessible.

End of Section

- All zones have been tested to verify proper reporting to the monitoring station.
- All zones have been tested to verify they are in their proper partition(s).
- All sirens and strobes have been tested for proper operation.
- All motion detectors have been adjusted for proper sensitivity and have been walk tested.
- All motion detectors have been sealed to prevent air and insects from entering.
- All glass break detectors have been adjusted for proper sensitivity and tested.
- All cabinets are labeled on the outside with module numbers and zone numbers.
- All cabinets are labeled on the inside with module numbers by the corresponding module and zone descriptions.
- All user card have been programmed and tested for proper partition access.
- The monitoring station has the correct account information such as call list, zone descriptions etc.

End of Section

1.09 References

- NFPA-70 National Electrical Code 2008 edition
- NFPA-72 National Fire Alarm Code
- UL 1666 - Standard for Safety of Flame Propagation Height
- NFPA 262 - Flame Travel and Smoke of Wires and Cables
- Local Authority Having Jurisdiction

1.10 Definitions

AWG - American Wire Gauge

BICSI - Building Industry Consulting Service International

EIA - Electronics Industry Alliance

FCC - Federal Communications Commission

NECA - National Electrical Contractors Association

NFPA - National Fire Protection Agency

UL - Underwriters Laboratory

Access Control System Specifications

Access Control Equipment

Part 1 - Manufacture

- Access Control Manufacturer shall be Keyscan. (No Substitutions)
- Peripheral device Manufacturers shall be according to equipment list. (No Substitutions)
- Cable Manufacturer shall be Genesis. (Or Equivalent)

1.01 Access Control Equipment Description

- Access Control System Manufacture shall be Keyscan (No Substitutions)
- Access Control Management Software - Aurora (This software is already installed and in use. It is listed for information purposes only)
- Reader Control Panels shall be (No Substitutions)
Keyscan CA 250 = 2 Door
Keyscan CA 4500 = 4 Door
Keyscan CA 8500 = 8 Door
- Each Reader Control Panel shall be equipped with (2) 16VAC 40VA Transformer
- Each Reader Control Panel shall be equipped with (1) 12V 7AH Battery
- One 2,4 or 8 Door Reader Control Panel per site shall be equipped with (1) Keyscan Netcom2p module. If the site has an existing 2,4 or 8 Door Control Panel with a Netcom2P already installed, then a Netcom 2P is not needed and CIM or CIM-Link modules shall be used to connect the new Control Panel to the existing Control Panel.
- All Reader Control Panels shall be linked together with either CIM or CIM-Link modules.
- Each new Reader Control Panel shall be capable of 2 doors minimum

Elementary School Card Readers shall be (No Substitutions)

- HID 13.56 MHz SINGLE GANG BACK BOX MOUNT READ ONLY CONTACTLESS SMART CARD READER KEYSKAN HIGH SECURITY FORMAT C/W 36 BIT WIEGAND OUTPUT- Part # KR40SE (For use in all locations except where mullion mount reader size is required to fit)
- HID 13.56 MHz MULLION MOUNT READ ONLY CONTACTLESS SMART CARD READER - KEYSKAN HIGH SECURITY FORMAT C/W 36 BIT WIEGAND OUTPUT- Part # KR10SE (For use on mullion mount locations where single gang reader KR40SE is too large)
- HID 13.56 MHz SINGLE GANG BACK BOX MOUNT READ ONLY C/W KEYPAD CONTACTLESS SMART CARD READER HIGH SECURITY FORMAT C/W 36 BIT WIEGAND OUTPUT- Part # KRK40SE (Do not use unless noted)

Jr High & High School Card Readers shall be (No Substitutions)

- HID 13.56 MHz SINGLE GANG BACK BOX MOUNT READ ONLY CONTACTLESS SMART CARD READER - HID ICLASS SE R40 Part # 920NTNNEK00000 (For use in all locations except where mullion mount reader size is required to fit)
- HID 13.56 MHz MULLION MOUNT READ ONLY CONTACTLESS SMART CARD READER - FULL MULLION HID ICLASS SE R16 Part # 910NTNNEK00000 or MINI-MULLION HID ICLASS SE R10 Part # 900NTNNEK00000 (For use on mullion mount locations where single gang reader R40 is too large)

- All Readers require 22/6 STR OAS Wire

Elementary, Jr High & High School Access Control Cards shall be (No Substitutions)

Access Control Strikes and locks shall be (No Substitutions unless approved by Moore Public Schools)

RCI 0163X32D ½ inch Rim
RCI 0162X32D ¾ inch Rim
RCI F0162X32D ¾ inch Rim Fire Rated
RCI F2164X32D

- Where storm doors are installed, install compatible power motor and power supply to activate door hardware unless installed by door contractor.
- Egress Motions shall be (No Substitutions)

Bosch DS160 or Honeywell IS310

- Door Contacts shall be GE Model # 1076D-M Double Pole Double Throw (To be utilized for Access Control and Security Alarm) (See security alarm specs)
- Power Supply for locking hardware
**Power supply in Keyscan Controller is for the Control and Readers only.
- Power Supplies shall be sized to meet requirements of Strikes and locks with a maximum of 80% amp load.
- Power Supply shall have form "C" contacts for supervision that is connected to Keyscan Control Aux Input.
- 24 VDC Securitron-AccuPower-AQM20-8C/16C, AQDS-8C or equal.

2.01 Systems Installation

- All junctions and or splices shall be soldered and insulated.
- All circuits and wiring shall be labeled at all terminating ends.
- All devices shall be mounted in accordance to the manufactures specifications.
- All devices shall be properly adjusted and tested prior to job completion.
- All controllers shall be labeled outside with their corresponding modules and installed with lock.
- All controllers shall have a Cat 6 network cable Blue in color ran from the nearest network cabinet and labeled with drop number.
- All card readers shall be labeled with their corresponding reader number.
- All doors with access control shall have contacts installed for door status indication. Steel doors shall have wide gap door contacts installed.
- All doors with access control shall have egress motions installed to allow system to detect proper egress. (including doors with panic exit hardware.)
- Protective grommets shall be installed on all conduits to protect wire.
- All panels, power supplies and modules shall be grounded.
- All wire shall be run in J hooks above ceiling with a minimum space of 6" from ceiling deck. All wire shall be in separate pathways 6" from other system wiring. No wire ties allowed. No wire shall be run between the red iron and roof deck.
- All wire visible from the finished floor shall be covered in decorative wire molding.
- All wire ran between building shall be in conduit and shall be direct burial cable.
- Installer shall have a licensed Access Control technician on the job site at all times during installation.
- Installer will work closely with the electrical and or masonry contractors to ensure conduit, back boxes, door frame access conduit, etc. are in the proper locations and accessible.
- Follow and adhere to installation practices specified by NFPA-70 National Electric Code, Edition 2008.
- Follow and adhere to installation practices specified by the Manufacturers.

3.01 Bidder/Installer Qualifications

- Bidding contractor shall be a local licensed Access Control Company with licensed Access Control technician(s) on staff.
- Bidding contractor shall have at least one year experience installing Keyscan Access Control Systems.
- Bidding contractor shall have a minimum of 5 years experience installing commercial Access Control Systems.
- Bidding contractor shall be able to provide insurance at the request of the owner.
- Bidding contractor shall have a commercial Access Control technician on the job site at all times during installation.

3.01.1 Submittals

- Show compete map of system design for approval by Owner.

3.01.2 Prior to installation

- Provide a soft CAD copy As-Built showing layout of Controller Panel, Card Readers, Power Supplies and all mounted equipment upon Substantial Completion.

3.01.3 Prior to final acceptance

- Ensure all warranties specify that the Owner is entitled to all rights guaranteed by the warranty for various components.

3.02 Quality Assurance

3.02.1 Qualifications

- Install all components as directed by Manufacturer's installation guidelines.
- All products shall bear the mark of UL or ETL for performance level.
- System installation shall meet all applicable Local/State codes and safety requirements where project is located.
- All products shall be new and un-used in original packaging.

Access Control Installation Completion Check List

Part 4 - General

4.01 Section Includes

- Access Control System Completion Check List

4.02 Completion Check List

- A map of the entire system showing device numbers and wire routes has been left inside the main controller panel and a copy has been given to Rodney Cobb with MPS.
- All system programming has been checked and is correct.
- Panel(s) has been tested for proper operation.
- All card readers are labeled with reader number and have been tested to verify proper operation.
- All user card and key fobs have been programmed into system and tested to verify proper operation.
- All egress motion detectors have been adjusted for proper sensitivity and have been walk tested.
- All controllers are labeled on the outside with module numbers.
- All controllers are labeled on the inside with module numbers by the corresponding module.



201 N. BROADWAY
SUITE 210
MOORE, OK. 73160
405.735.3477
AGP@theAGP.net
www.theAGP.net

KFC ENGINEERING

STRUCTURAL

SALAS O'BRIEN

MECHANICAL / ELECTRICAL

NY
drawn by
NY
checked by
APRIL 2023
date
revisions

MOORE PUBLIC SCHOOLS
BOARD OF EDUCATION
MOORE, OKLAHOMA



OFFICE
ADDITION -
SOUTHGATE
ELEMENTARY SCHOOL

sheet no:

T502

OWNERSHIP USE OF DOCUMENTS:

AGP EXPRESSLY RESERVES ITS COPYRIGHT AND OTHER PROPERTY RIGHTS OF ALL PLANS AND DRAWINGS DESIGNED AND/OR PRODUCED. PLANS AND DRAWINGS ARE NOT TO BE REPRODUCED IN ANY FORM OR MANNER WITHOUT THE EXPRESSED WRITTEN CONSENT OF AGP.

Salas O'Brien

2600 Van Buren St., Suite 2635
Norman, OK 73072
Salas O'Brien Registration: CA# 7058
Expiration Date: 6/30/2023
Salas O'Brien Project Number: 2023-01140-00

SYSTEMS SPECIFICATIONS

...covers etc. and coordinate with them to ensure that all necessary conduits, back boxes

4.03 Products Installed but not Supplied Under This Section

- All conduit and EMT required for Fire cabling pathway in/out of closets and in/out of wall cavities at the work or Conduit for pathways shall have no more than two 90 degree sweeps and no continuous section over 100'.
- All core holes and poke through devices in the floor for the installation of cabling.
- All core holes and EMT sleeves between floors for the routing of cabling.
- Back boxes for the mounting of Devices.
- Drag line or pull string at the back boxes fished through EMT or conduit to the other end for installing Cabling.

4.04 References

- NFPA-70 National Electrical Code 2008 edition
- NFPA-72 National Fire Alarm Code
- UL 1666 - Standard for Safety of Flame Propagation Height
- NFPA 262 - Flame Travel and Smoke of Wires and Cables
- Local Authority Having Jurisdiction

4.05 Definitions

AWG - American Wire Gauge
 BICSI - Building Industry Consulting Service International
 EIA - Electronics Industry Alliance
 FCC - Federal Communications Commission
 NECA - National Electrical Contractors Association
 NFPA - National Fire Protection Agency
 UL - Underwriters Laboratory

4.06 Delivery, Storage, and Protection

- Contractor shall ensure that materials delivery to work area shall be coordinated with construction site manager responsible for materials distribution to all trades.
- Contractor is responsible for all materials, tools and vehicles left on the job site.
- Follow Manufacturer's recommendations for handling of materials.

4.07 Project Conditions

4.07.1 Environmental Requirements

- Contractor shall ensure that any pollutants produced during the Work are disposed off according to local, state or national regulations. Follow the most stringent guidelines.
- It is preferred that the Contractor recycle any used or un-used components during the course of the construction project.

4.07.2 Field Measurements

- Contractor shall coordinate with electrical engineer on project that the main electrical service ground has a resistance to earth of less than 5 ohms.
- Contractor shall ensure that all field testers have been calibrated from the Manufacturer within 1 year.
- All field test results will be documented and submitted to Moore Public Schools, Technology Department.

4.08 Sequencing

- Contractor shall coordinate with Owner's project manager on sequencing of various trades and construction teams for the lifecycle of the project.

4.09 Scheduling

- Contractor shall provide a detailed construction schedule with hard dates for completion of roughing in cables, terminations and testing once scheduling sequence has been determined to the Owner's Project Manager.

4.10 Warranty

- Contractor shall provide a 1 year parts and labor warranty against defective workmanship and/or system component failure. (1 year warranty shall begin at job completion)

4.11 Source Quality Control

- Materials shall be purchased from Distributors authorized by system Manufacturers to sell new and unused components.

Part 5 -

5.01 Field Quality Control

- Contractor shall make available all ceiling and termination work for inspection by Manufacturer's representative or owner's representative.
- Contractor shall replace all defective components.

5.02 Adjusting

- No additional work outside of the contract scope of work shall be completed without the approval of the Owner or Owner's representative.

5.03 Cleaning

- Contractor shall sweep and mop the floors of all equipment rooms or connection point closets prior to turnover to the Owner.

5.04 Protection

- It is the responsibility of the Contractor to ensure equipment is protected from dust and water during the project with appropriate materials.
- Remove all protective covers and protective materials from equipment prior to turnover to Owner.

5.05 Schedules

- Coordinate work with Owner's project manager and follow scheduling sequence as established by Owner's project manager.
- It is recommended that the Contractor schedule closely with any other systems contractor to ensure turnover date is met.
- Contractor bidding will work closely with the electrical and or masonry contractors to ensure conduit, back boxes, door frame access conduit, etc. are in the proper locations and accessible.

Fire System Specifications

Part 1 - General

2.01 Manufacturers

- Fire System Manufacturer shall be Silent Knight. (No Substitutions)
- Notification appliance Manufacturer shall be System Sensor. (No Substitutions)
- Device Manufacturer shall be as specified in equipment description. (No Substitutions)
- Cable Manufacturer shall be Genesis. (Or Equivalent)

1.03 Fire Systems Equipment Description

- note:** contractor shall use sk protocol devices on all new installations. contractor shall replace all existing sd protocol devices connected to existing system with sk protocol.
- fire alarm control shall be silent knight model # 6820. (no substitutions)
- fire alarm distributed power module nac expansion shall be silent knight sk-ps6 / sk-ps10 or fire-lite model #'s fl-ps6 / fl-ps10. (no substitutions)
- fire alarm intelligent power supply shall be silent knight model # 585x1. (no substitutions)
 NOTE: the 585x1 nac circuits will not sync with the main control panels nac circuits. if new nac circuit synchronization is required with existing nac circuits, use the sk-ps6/fl-ps6 or sk-ps10/fl-ps10
- fire alarm remote annunciator shall be silent knight model # 5860 (grey) and surface mount trim ring 5860tg (grey) shall be used if surface mounted. (no substitutions)
- fire alarm signaling line circuit expander shall be silent knight model # 5815x1. (no substitutions)
 sk protocol devices shall be
- fire alarm addressable manual pull station shall be silent knight model # sk-pull-da. (no substitutions)
- fire alarm addressable photoelectric smoke detector shall be silent knight model # sk-photo-w. (no substitutions)
- fire alarm addressable heat detector shall be silent knight model # sk-heat-w. (no substitutions)
- fire alarm base shall be silent knight model # b300-6. (no substitutions)
- smoke detectors in areas that require a co detector shall be sk-fire-co-w. (no substitutions)
- fire alarm addressable input module shall be silent knight model # sk-monitor or sk-monitor-2. (no substitutions)
- fire alarm addressable relay module shall be a silent knight model # sk-relay. (no substitutions)
- fire alarm sic line isolator shall be silent knight model # sk-iso. (no substitutions)
- fire alarm duct detectors and duct detector remote test stations shall be silent knight model #'s sk-duct and rts151key. if a form-c relay is required, please add an sk-relay. (no substitutions)
- fire alarm horn / strobe signaling device shall be system sensor model # p2wl. (model pc2wl can be substituted if mounted on non-stainable ceiling tile. no other substitutions)
- fire alarm strobe signaling device shall be system sensor model # swl. (model scwl can be substituted if mounted on non-stainable ceiling tile. no other substitutions)
- fire alarm strobe synch module shall be system sensor model # mdl3. (not needed on version 9 panels or newer) (no substitutions)
- fire alarm outdoor strobe signaling device shall be system sensor model # p2rk. (no substitutions)
- fire alarm speaker / strobe signaling device shall be system sensor model # spswl. (model spswcl can be substituted if mounted on non-stainable ceiling tile. no other substitutions)
- fire alarm speaker signaling device shall be system sensor model # spwl. (no substitutions)
- fire alarm 50-watt voice evac system shall be as needed silent knight ske-450 (single zone), ske-450-zn4 (4 zone) or ske-450-zr6 (6 zone). (no substitutions)

1.01 Systems Installation

- All fire alarm junctions and or splices shall be soldered and insulated.
- All Ceiling mounted devices shall be mounted on non-stainable ceiling tiles.
- All circuits and wiring shall be labeled at all terminating ends.
- All fire system wiring shall be RED in color and non-shielded.
- All devices shall be mounted according to the manufactures specifications.
- All devices shall be properly adjusted and tested prior to job completion.
- All fire pulls shall be dual action.
- All Initiating Devices shall be labeled with their corresponding module and point number. Smoke detector label shall be on smoke detector and smoke detector base and be clearly visible from the finished floor.
- All Each Initiating Device Circuits (IDC) shall have Line Isolator Modules installed at the SLC Head End.
- All Initiating Device Circuits (IDC) shall be wired Class B (NFPA Style B).
- All Initiating Device Circuits (IDC) shall be wired with minimum 18 AWG gauge red NON Shielded cable.
- All duct detectors shall be connected to fire system and shall have remote test stations installed accessible and visible from the finished floor. They shall be labeled with their corresponding module and point number.
- All duct detector ARM / AIM shall be installed adjacent to the remote test stations and accessible and visible from the finished floor. They shall be labeled with their corresponding module and point number. (ARM/AIM should not be needed when using SD505-DUCTR duct det.)
- Each CO 1224T detectors shall have an SD500 AIM installed (No doubling). All CO1224T & SD500 AIM shall be labeled with their corresponding module and point number.
- All modules shall have their corresponding module number.
- All notification devices shall be wall mounted where possible. Where wire is exposed decorative wire molding shall be installed from the ceiling to the device. If ceiling mount devices are used they shall be mounted on a non-stainable ceiling tile
- All notification devices shall be labeled with their corresponding module, circuit number and device number. Label shall be on the base and be clearly visible from the finished floor. EOL Device shall be labeled as such.
- All horn / strobes and strobes shall be synchronized.
- All Notification Appliance Circuits (NAC) shall be wired Class B (NFPA Style Y).
- All Notification Appliance Circuits (NAC) shall be wired with minimum 16 AWG gauge red NON Shielded cable.
- Protective grommets shall be installed on all conduits to protect wire.
- All SBUS and SLC circuits shall be wired with red NON shielded cable.
- All wire shall be run in J hooks above ceiling with a minimum space of 4" from ceiling deck. All wire shall be in separate pathways 6" from other system wiring. No wire ties allowed. No wire shall be run between the red iron and roof deck.
- Main control panel shall have a CAT 6 cable ran between the main control and the phone company DMARC for monitoring purposes.
- All wire ran between building shall be in conduit and shall be non shielded direct burial cable. It shall be a minimum of 4 conductor 16 AWG copper.
- Installer shall have a commercial fire technician on the job site at all times during the installation.
- Installer shall supply the electrical and or masonry contractors with specialty back boxes such as remote

etc. are installed in the proper locations.

- Follow and adhere to installation practices specified by the applicable NFPA 72 standards.
- Follow and adhere to installation practices specified by NFPA-70 National Electric Code, Edition 2008.
- Follow and adhere to installation practices specified by the Manufacturers.

1.02 Products Installed but not Supplied Under This Section

- All conduit and EMT required for Fire cabling pathway in/out of closets and in/out of wall cavities at the work area. EMT or Conduit for pathways shall have no more than two 90 degree sweeps and no continuous section over 100'.
- All core holes and poke through devices in the floor for the installation of Fire cabling.
- All core holes and EMT sleeves between floors for the routing of Fire cabling.
- Back boxes for the mounting of Fire Devices.
- Drag line or pull string at the back boxes fished through EMT or conduit to the other end for installing Fire Cabling.

1.03 Quality Assurance

1.03.01 Qualifications

- Install all components as directed by Manufacturer's installation guidelines.
- All products shall bear the mark of UL or ETL for performance level.
- System installation shall meet all applicable Local/State codes and safety requirements where project is located.
- All products shall be new and un-used in original packaging.

1.03.02 Bidder/Installer Qualifications

- Bidding contractor shall be a local licensed Commercial Fire Alarm Company with licensed Commercial Fire Alarm technician(s) on staff.
- Bidding contractor shall have a minimum of one year experience installing Silent Knight Addressable fire panels.
- Bidding contractor shall have a minimum of 5 years experience installing commercial fire alarms.
- Bidding contractor shall be able to provide insurance at the request of the owner.
- Bidding contractor shall have a commercial fire technician on the job site at all times during the installation.

1.04 Sequencing

- Contractor shall coordinate with Owner's project manager on sequencing of various trades and construction teams for the lifecycle of the project.

1.05 Scheduling

- Contractor shall provide a detailed construction schedule with hard dates for completion of roughing in cables, terminations and testing once scheduling sequence has been determined to the Owner's Project Manager.

1.06 Warranty

- Contractor shall provide a 1 year parts and labor warranty against defective workmanship and/or system component failure. (1 year warranty shall begin at job completion)

Part 2 - Products

2.02 Source Quality Control

- Materials shall be purchased from Distributors authorized by system Manufacturers to sell new and unused components.

Part 3 -

3.01 Field Quality Control

- Contractor shall make available all ceiling and termination work for inspection by Manufacturer's representative or owner's representative.
- Contractor shall replace all defective components.

3.02 Adjusting

- No additional work outside of the contract scope of work shall be completed without the approval of the Owner or Owner's representative.

3.03 Protection

- It is the responsibility of the Contractor to ensure equipment is protected from dust and water during the project with appropriate materials.
- Remove all protective covers and protective materials from equipment prior to turnover to Owner.

End of Section

Fire System Installation Completion Check List

Part 1 - General

1.01 Section Includes

- Fire System Completion Check List

1.02 Completion Check List

- A map of the entire system showing device numbers and wire routes has been left inside the main control panel and a copy has been given to Rodney Cobb with MPS.
- All panel programming has been checked and is correct.
- Panel(s) has been tested for proper operation.
- All zones have been tested to verify proper reporting to the monitoring station.
- All points have been tested to verify proper description at the keypad.
- All horn/strobes and strobes have been tested for proper operation.

- All smoke detectors have been tested and dust covers removed.
- All devices have been tested for proper operation.
- All cabinets are labeled on the outside with module numbers and point numbers.
- All cabinets are labeled on the inside with module numbers by the corresponding module and point descriptions.
- The monitoring station has the correct account information such as call list, zone descriptions, etc.

End of Section

IP camera Specifications

**Moore Public Schools
IP camera Specifications**

IP CAMERA MANUFACTURE IS AVIGILON (NO SUBSTITUTIONS).

**AVIGILON EQUIPMENT
INDOOR DOME SINGLE HEAD CAMERA REQUIRED EQUIPMENT LIST**

4.0C-H5A-D1-IR
 ACC7-ENT LICENSE - 1 per camera

INDOOR MULTI-HEAD 3 HEAD CAMERA REQUIRED EQUIPMENT LIST

9C-H4A-3MH-180 (3x3MP)
 POE-INJ2-60W-NA Power Injector
 ACC7-ENT LICENSE - 1 per camera
 H4AMH-AD-CEIL1
 H4AMH-DC-COVR1

INDOOR MULTI-HEAD 4 HEAD CAMERA REQUIRED EQUIPMENT LIST

12C-H4A-3MH-360 (4x3MP)
 POE-INJ2-60W-NA Power Injector
 ACC7-ENT LICENSE - 1 per camera
 H4AMH-AD-CEIL1
 H4AMH-DC-COVR1

OUTDOOR DOME SINGLE HEAD CAMERA REQUIRED EQUIPMENT LIST

6.0C-H5A-D01-IR
 ACC7-ENT LICENSE - 1 per camera

OUTDOOR MULTI-HEAD 3 HEAD CAMERA CORNER MOUNT REQUIRED EQUIPMENT LIST

15C-H4A-3MH-270 (3x5MP)
 POE-INJ2-60W-NA Power Injector
 ACC7-ENT LICENSE - 1 per camera
 H4AMH-AD-PEND1
 H4AMH-DO-COVR1
 H4AMH-AD-IRL1
 H4-MT-CRNR1

OUTDOOR MULTI-HEAD 3 HEAD CAMERA WALL MOUNT REQUIRED EQUIPMENT LIST

15C-H4A-3MH-180 (3x5MP)
 POE-INJ2-60W-NA Power Injector
 ACC7-ENT LICENSE - 1 per camera
 H4AMH-AD-PEND1
 H4AMH-DO-COVR1
 H4AMH-AD-IRL1
 IRPTZ-MNT-WALL1

INSTALLATION

- Install single head cameras on adjacent walls were possible. If it must be mounted on ceiling, it shall be on a water-resistant non-stainable ceiling tile. **MPS to have final determination of camera location and field of view) (Call Jack Phillips for final location and view phone 473-5225)**
- Any cameras installed on ceiling shall be mounted on a water-resistant non-stainable ceiling tile.
- Each installed camera needs a camera license.
- All network drops shall be connected with patch cords to a switch at each rack location.
- No Substitutions.

Horizontal Cabling Requirements

- See MPS Structured Cabling Specifications for camera network cabling installation, labelling and testing requirements.

Warranty

- Communications Contractor shall provide a 1 year parts and labor warranty against defective workmanship and/or system component failure.
- Communications Contractor shall execute a Lifetime Applications Assurance Warranty for parts and labor to support stated applications from the connectivity Manufacturer.

End of Section

Audio Visual Systems for Instructional Spaces Specifications

Part 1 - General

1.01 Instructional Spaces

- Reference technology drawings and detail sheet T504 for classroom configuration and part numbers.

1.02 Special Spaces

- Reference technology drawings and one line diagrams.

1.03 Flat Panel Displays

- All non interactive Flat Panel displays shall be 43" Samsung BE Series.
- Bio Lab 37 displays shall be ceiling mounted.
- Career Tech 12 and Career Tech 15 displays shall be wall mounted 55" AFF to center of display.

End of Section



201 N. BROADWAY
 SUITE 210
 MOORE, OK. 73160
 405.735.3477
 AGP@theAGP.net
 www.theAGP.net

KFC ENGINEERING
 STRUCTURAL

SALAS O'BRIEN
 MECHANICAL / ELECTRICAL

NY
 drawn by
 NY
 checked by
 APRIL 2023
 date
 revisions

MOORE PUBLIC SCHOOLS
 BOARD OF EDUCATION
 MOORE, OKLAHOMA



OFFICE
 ADDITION -
 SOUTHGATE
 ELEMENTARY SCHOOL

sheet no:

T503

Salas O'Brien
 2600 Van Buren St., Suite 2635
 Norman, OK 73072
 Salas O'Brien Registration: CA# 7058
 Expiration Date: 6/30/2023
 Salas O'Brien Project Number: 2023-01140-00

OWNERSHIP USE OF DOCUMENTS:
 AGP EXPRESSLY RESERVES ITS
 COPYRIGHT AND OTHER PROPERTY
 RIGHTS OF ALL PLANS AND DRAWINGS
 DESIGNED AND/OR PRODUCED. PLANS
 AND DRAWINGS ARE NOT TO BE
 REPRODUCED IN ANY FORM OR MANNER
 WITHOUT THE EXPRESSED WRITTEN
 CONSENT OF AGP.

SYSTEMS SPECIFICATIONS

Moore Public Schools
Video Intercom Door System Specifications

MANUFACTURE
AVIGILON (NO SUBSTITUTIONS).

AVIGILON REQUIRED EQUIPMENT

3.0CH4VIRO1-IR
3.0 MP; H4 Video Intercom; WDR; Light Catcher; Day/Night; 1.83mm
f/2.4; Integrated IR; Recessed Mount

H4VI-AC-RELY1
Safety Relay for H4 Video Intercom

H4VI-MT-SURF1
Surface mount adapter for H4 Video Intercom

ACC7-ENT
ACC 7 Enterprise camera channel license

INSTALLATION

- Video Intercom system requires a Cat 6 network drop ran to the nearest IDF
- Video Intercom system requires an 18 gauge 4 conductor cable ran between the video intercom station and the entry door Keyscan controller unit. **MPS to have final determination of camera location and field of view (Call Jack Phillips for final location and view phone 473-5225)**
- Each installed Video Intercom System requires a license.
- All network drops shall be connected with patch cords to a switch at each rack location.
- No Substitutions.

Horizontal Cabling

Requirements

- See MPS Structured Cabling Specifications for camera network cabling installation, labelling and testing requirements.

Warranty

- Contractor shall provide a 1 year parts and labor warranty against defective workmanship and/or system component failure.
- Contractor shall execute a Lifetime Applications Assurance Warranty for parts and labor to support stated applications from the connectivity Manufacturer.

End of Section

AGP
the Abila Griffin
Partnership L.L.C.

201 N. BROADWAY
SUITE 210
MOORE, OK. 73160
405.735.3477
AGP@theAGP.net
www.theAGP.net

KFC ENGINEERING
STRUCTURAL

SALAS O'BRIEN
MECHANICAL / ELECTRICAL

NY

drawn by

NY

checked by

APRIL 2023

date

revisions

MOORE PUBLIC SCHOOLS
BOARD OF EDUCATION
MOORE, OKLAHOMA



OFFICE
ADDITION -
SOUTHGATE
ELEMENTARY SCHOOL

sheet no:

T504



2600 Van Buren St., Suite 2635
Norman, OK 73072
Salas O'Brien Registration: CA# 7058
Expiration Date: 6/30/2023
Salas O'Brien Project Number: 2023-01140-00

OWNERSHIP USE OF DOCUMENTS:
AGP EXPRESSLY RESERVES ITS
COPYRIGHT AND OTHER PROPERTY
RIGHTS OF ALL PLANS AND DRAWINGS
DESIGNED AND/OR PRODUCED. PLANS
AND DRAWINGS ARE NOT TO BE
REPRODUCED IN ANY FORM OR MANNER
WITHOUT THE EXPRESSED WRITTEN
CONSENT OF AGP.